



US00D355771S

United States Patent [19]

[11] Patent Number: **Des. 355,771**

Adams

[45] Date of Patent: **** Feb. 28, 1995**

[54] FOLDABLE HANGER

[76] Inventor: **Michael E. Adams**, 2009 Walters Ave., Northbrook, Ill. 60062

[**] Term: **14 Years**

[21] Appl. No.: **7,686**

[22] Filed: **Apr. 28, 1993**

[52] U.S. Cl. **D6/318**

[58] Field of Search **D6/315, 318; 211/113, 211/118; 223/85, 87, 88, 90-96**

[56] References Cited

U.S. PATENT DOCUMENTS

589,901	9/1897	Lincoln et al. .	
923,786	6/1909	Geraci .	
959,687	5/1910	Altermatt .	
1,286,022	11/1918	Kieset .	
1,907,943	8/1934	Raymond .	
2,290,722	7/2942	Weingarten .	
2,425,475	8/1947	Isaacson .	
2,440,637	4/1948	Lowe	D6/318
2,509,754	5/1950	Badalamenti .	
2,518,367	8/1950	Penhallegon .	
2,906,442	9/1959	McNutt .	
3,531,028	9/1970	Vazquez .	
4,114,786	9/1978	Wiese .	
4,117,960	10/1978	Bensch et al. .	
4,227,632	10/1980	Collis .	
4,673,115	6/1987	LaMont .	
4,813,581	3/1989	LaMont .	
4,988,021	1/1991	Adams et al. .	

FOREIGN PATENT DOCUMENTS

157082	9/1939	Germany .
1429922	4/1963	Germany .
7607305	1/1977	Netherlands .

Primary Examiner—B. J. Bullock
Attorney, Agent, or Firm—Olson & Hierl, Ltd.

[57] CLAIM

The ornamental design for a foldable hanger, as shown and described.

DESCRIPTION

FIG. 1 is a perspective view of one embodiment of a foldable hanger design of the present design; FIG. 2 is a top plan view of the embodiment shown in FIG. 1;

FIG. 3 is a bottom plan view of the embodiment shown in FIG. 1;

FIG. 4 is an end elevational view of the right end of the embodiment shown in FIG. 1;

FIG. 5 is an end elevational view of the left end of the embodiment shown in FIG. 1;

FIG. 6 is a front view of the embodiment shown in FIG. 1 in a folded configuration;

FIG. 7 is a rear view of the embodiment shown in FIG. 1;

FIG. 8 is a perspective view of a second embodiment of a foldable hanger design of the present design;

FIG. 9 is a top plan view of the embodiment shown in FIG. 8;

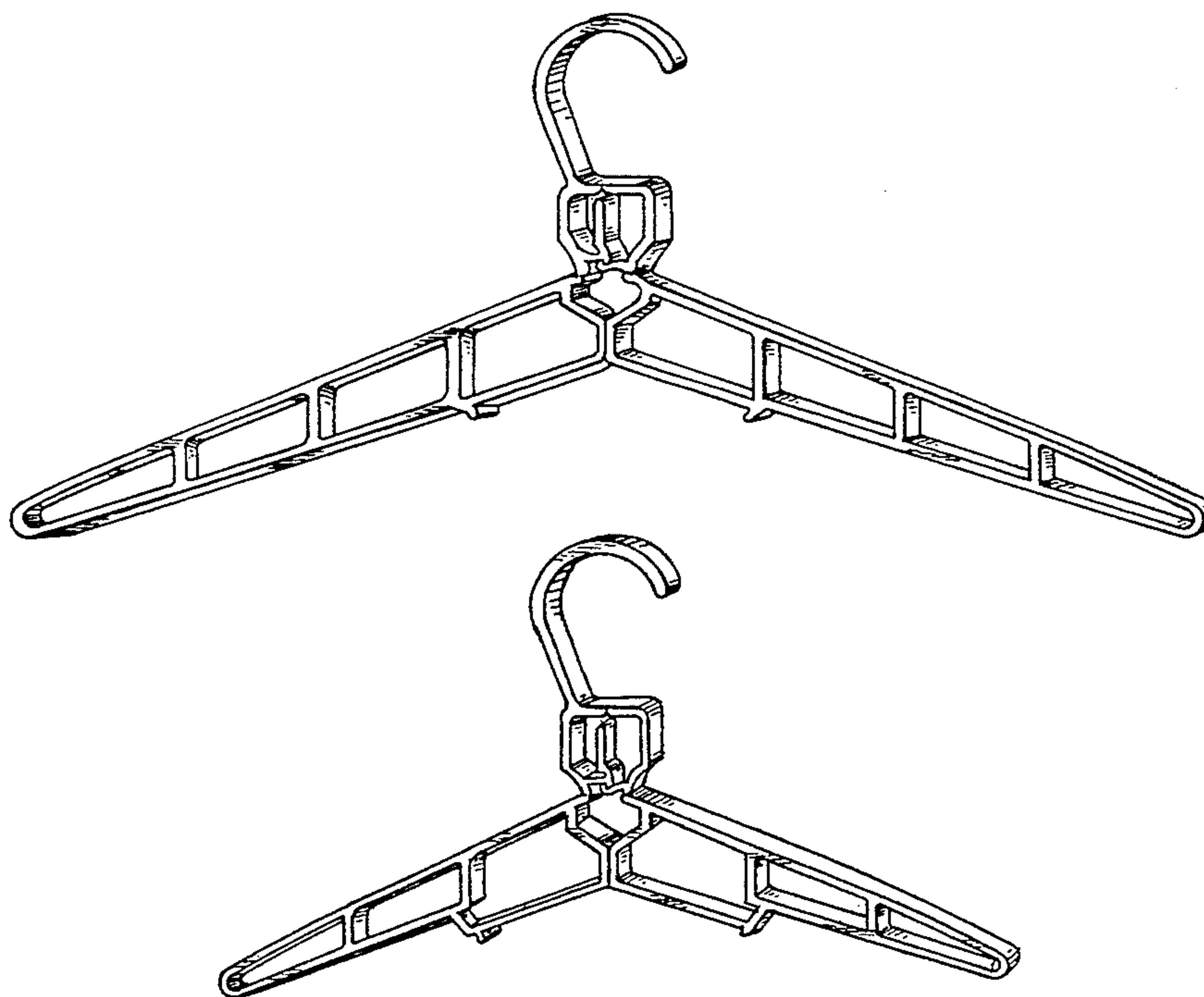
FIG. 10 is a bottom plan view of the embodiment shown in FIG. 8;

FIG. 11 is an end elevational view of the right end of the embodiment shown in FIG. 8;

FIG. 12 is an end elevational view of the left end of the embodiment shown in FIG. 8;

FIG. 13 is a front view of the embodiment shown in FIG. 8 in a folded configuration; and,

FIG. 14 is a rear view of the embodiment shown in FIG. 8.



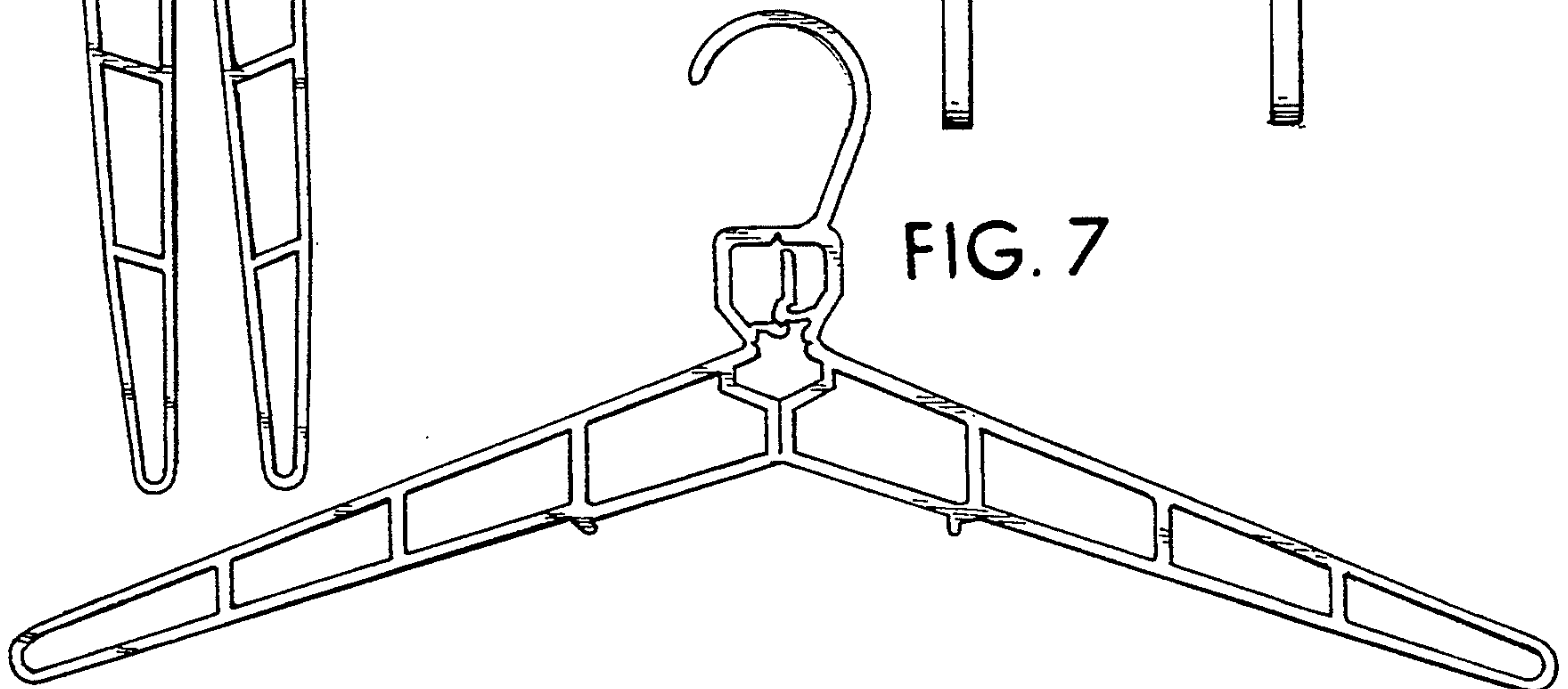
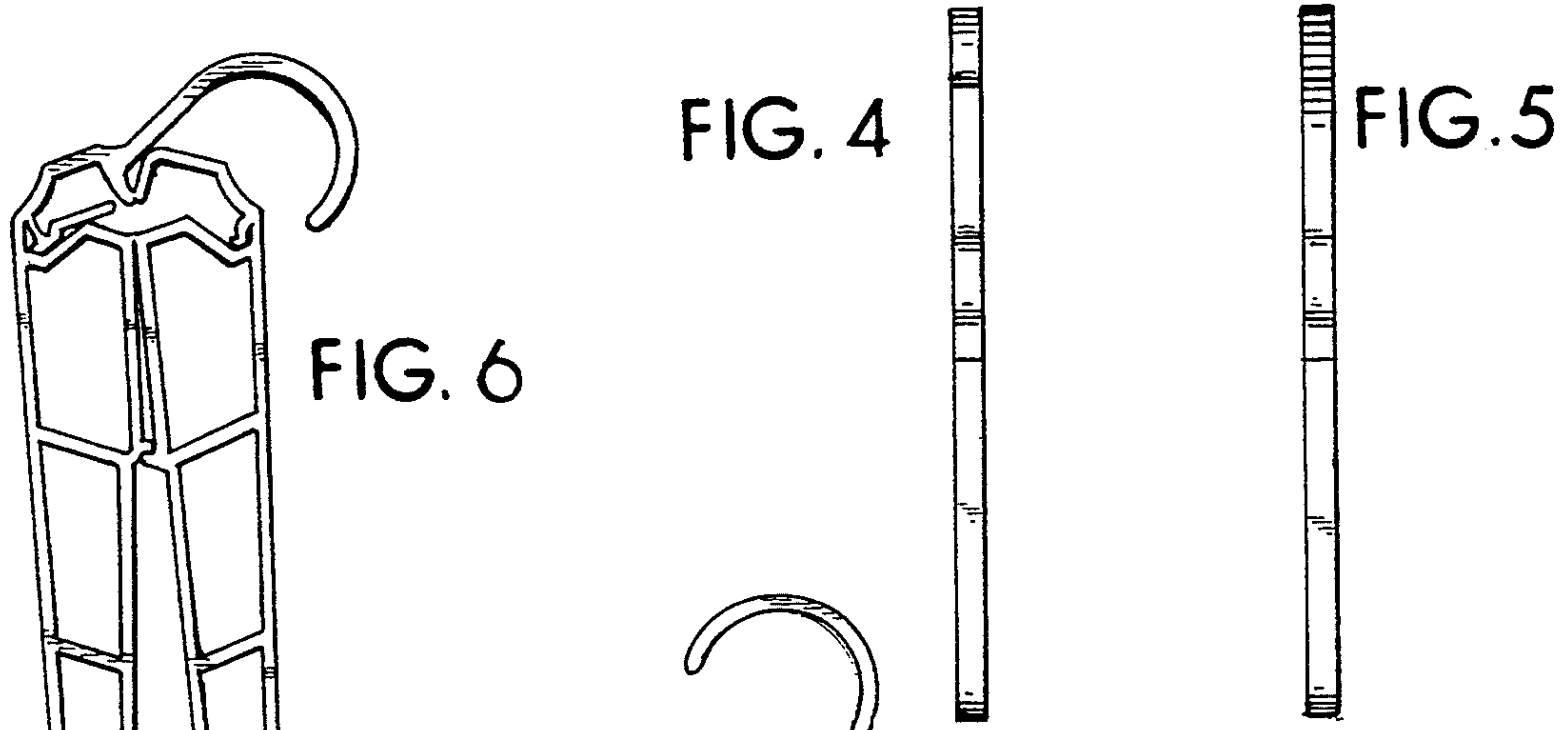
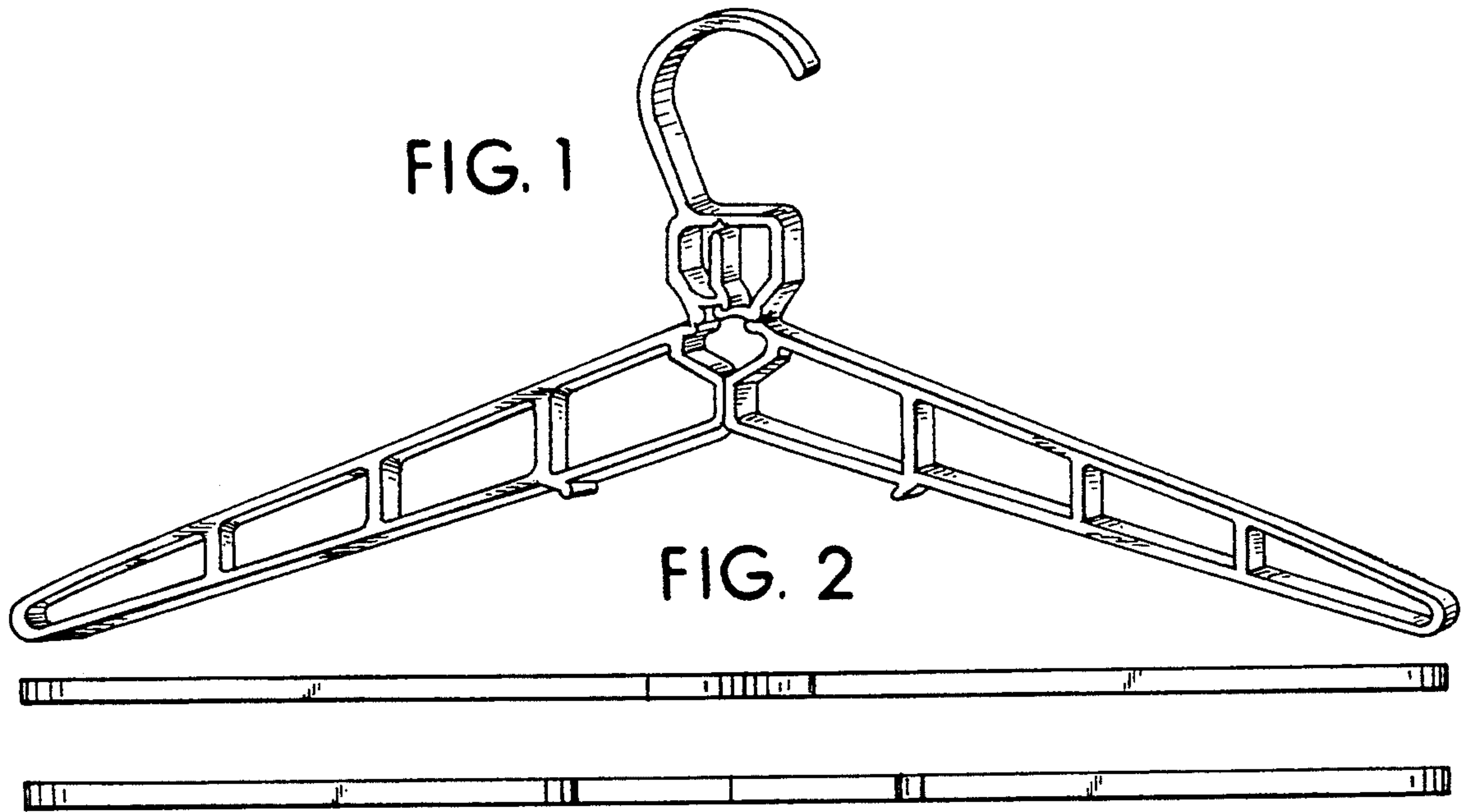


FIG. 8

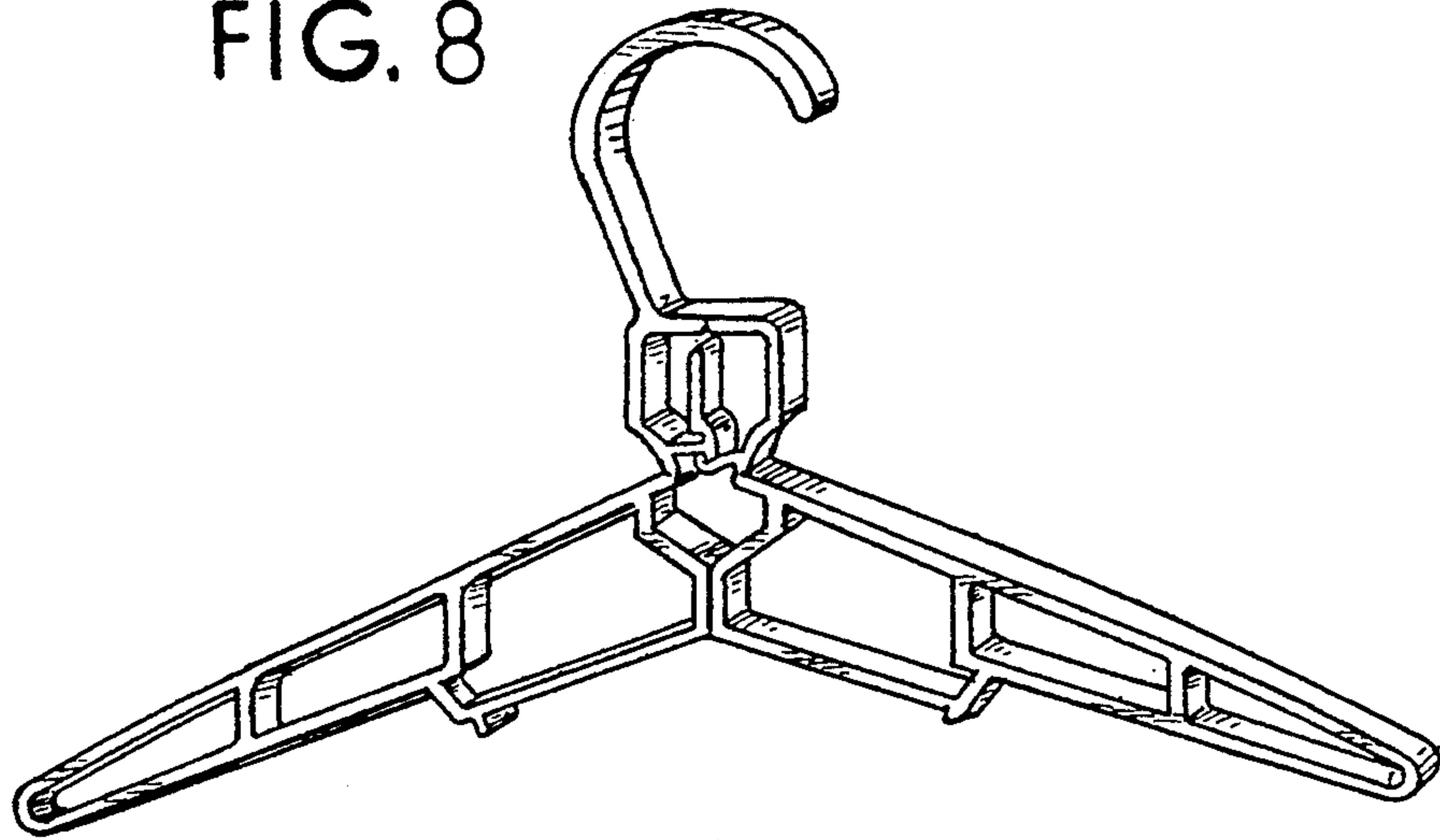


FIG. 9



FIG. 10



FIG. 11



FIG. 12



FIG. 13

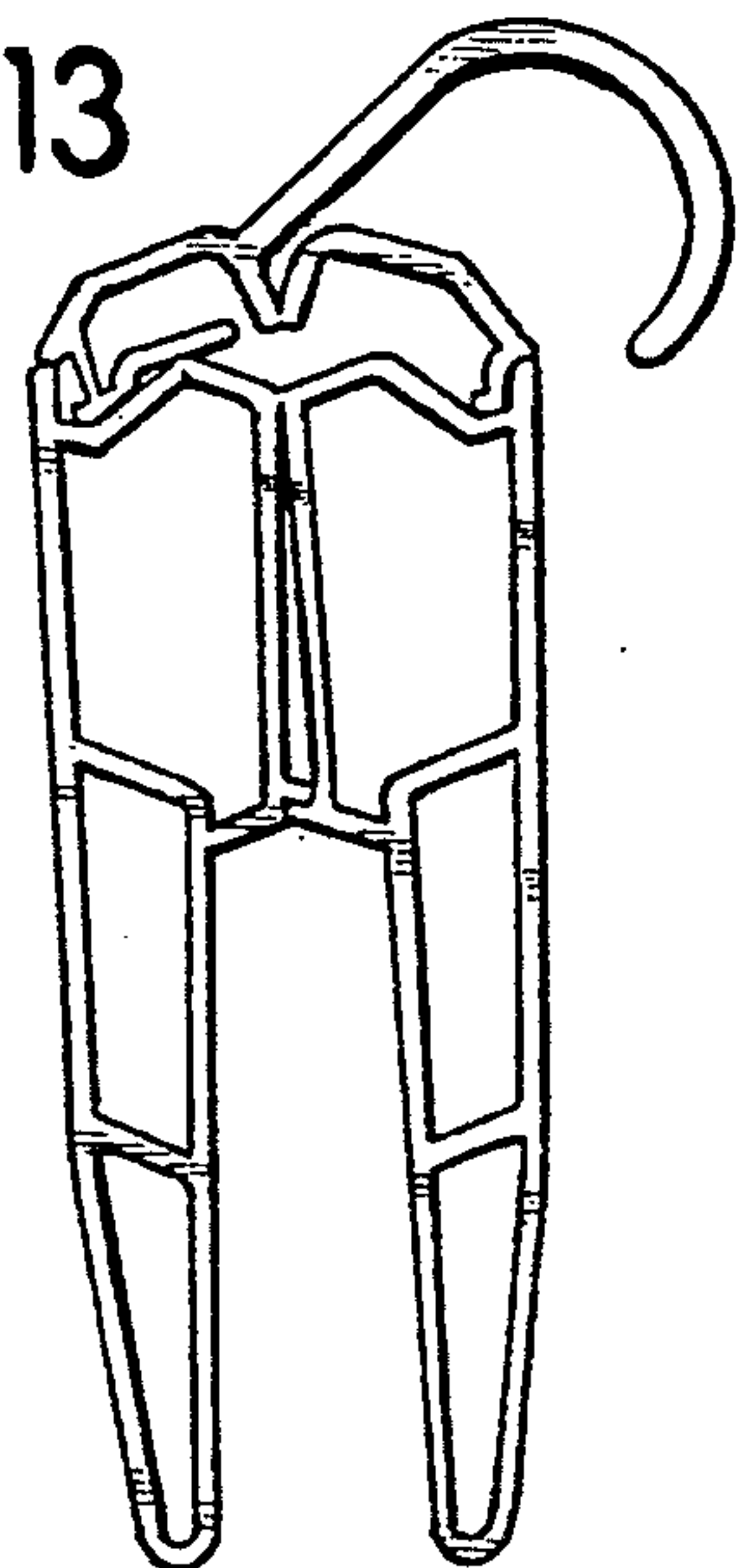


FIG. 14

