



US00D355769S

United States Patent [19]

[11] Patent Number: **Des. 355,769**

Miles

[45] Date of Patent: **** Feb. 28, 1995**

[54] PICTURE FRAME

[76] Inventor: **Clemmon Miles**, 2317 N. Seventh Ave., Phoenix, Ariz. 85007

[**] Term: **14 Years**

[21] Appl. No.: **860,692**

[22] Filed: **Mar. 30, 1992**

[52] U.S. Cl. **D6/300; D6/303**

[58] Field of Search **D6/300, 304, 309-314; 40/152, 152.1, 154, 155, 156, 158.1, 160**

[56] **References Cited**

U.S. PATENT DOCUMENTS

D. 69,853	4/1926	Stojak	D6/300
D. 166,331	4/1952	McConnell	D6/300
224,973	2/1880	Wallis	40/152
351,955	11/1886	Baxter	40/155
975,094	11/1910	Williams	40/152

OTHER PUBLICATIONS

Exposures—Summer 1991, p. 2, Frame #D.

Primary Examiner—Janice E. Seeger

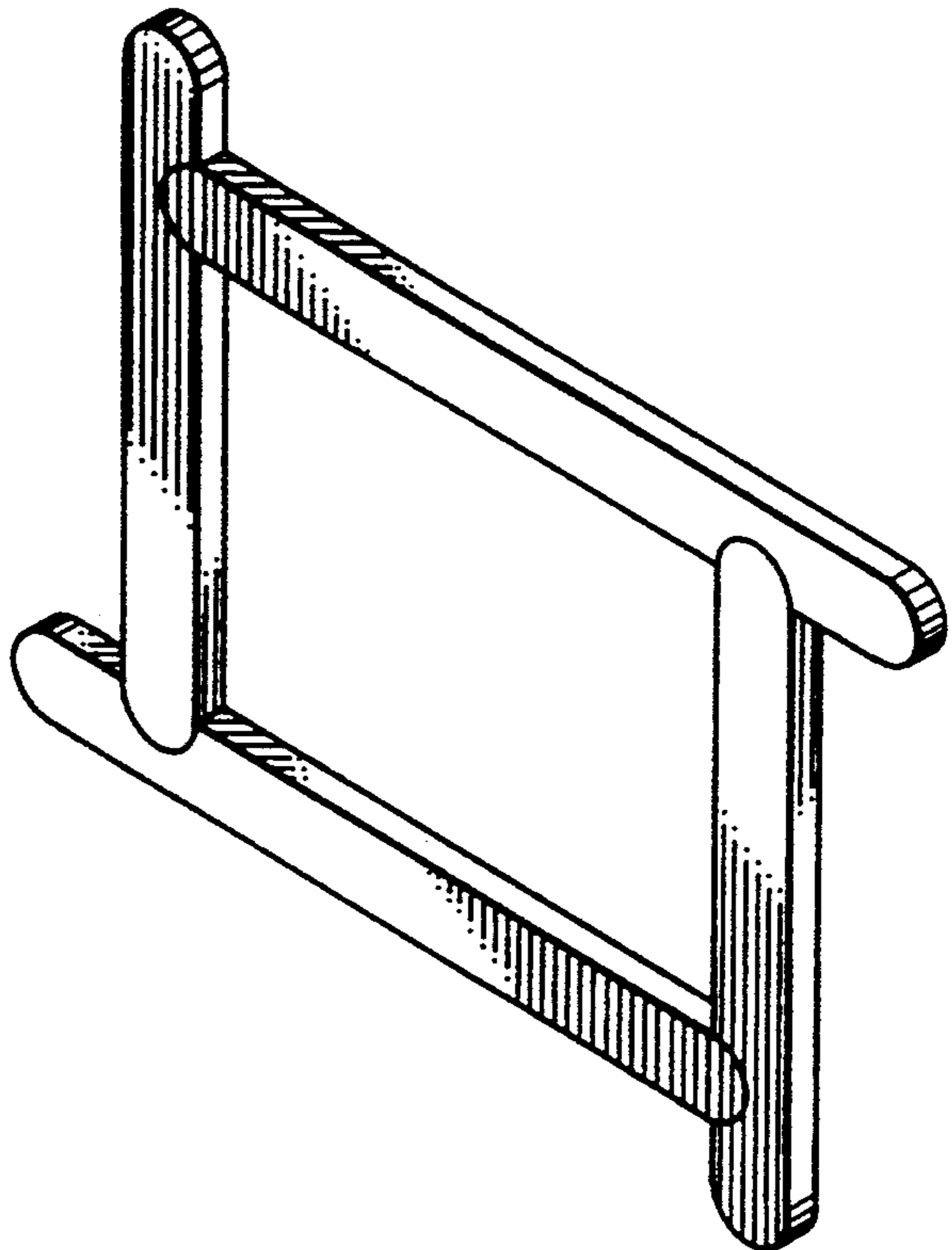
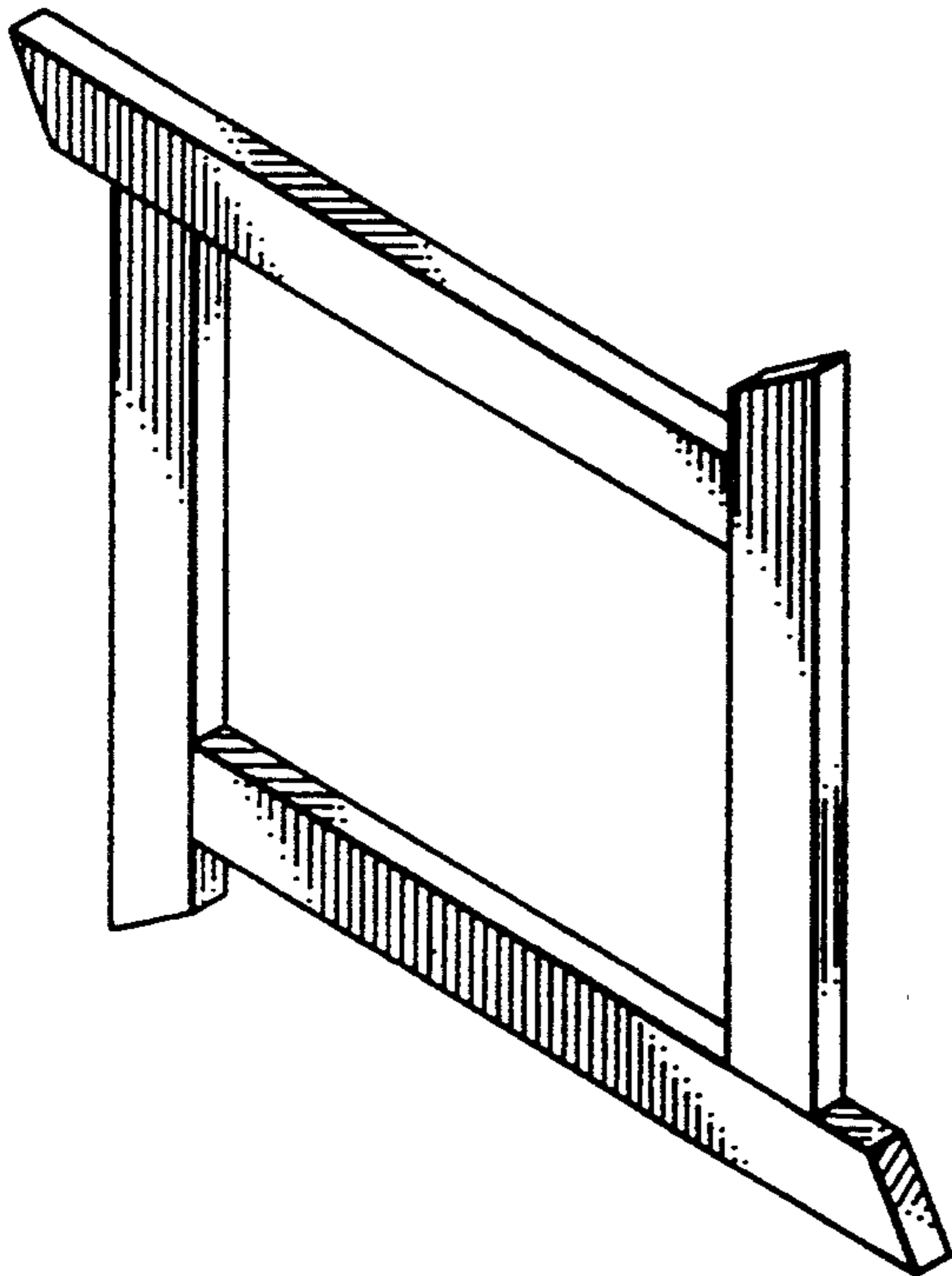
Attorney, Agent, or Firm—Jordan M. Meschkow; Lowell W. Gresham; Don J. Flickinger

[57] **CLAIM**

The ornamental design for a picture frame, as shown and described.

DESCRIPTION

FIG. 1 is a front perspective view of a picture frame, showing my new design therefor;
 FIG. 2 is a top plan view of my new design for the picture frame illustrated in FIG. 1;
 FIG. 3 is a front elevational view of the picture frame illustrated in FIG. 1, the rear being a mirror image thereof;
 FIG. 4 is a side view of my new design for the picture frame illustrated in FIG. 1;
 FIG. 5 is a front perspective view of an alternate embodiment of my picture frame, showing my new design therefor;
 FIG. 6 is a side view of my new design for the picture frame illustrated in FIG. 5;
 FIG. 7 is a front perspective view of a third embodiment of my picture frame, showing my new design therefor; and,
 FIG. 8 is a side view of my new design for the picture frame illustrated in FIG. 7.



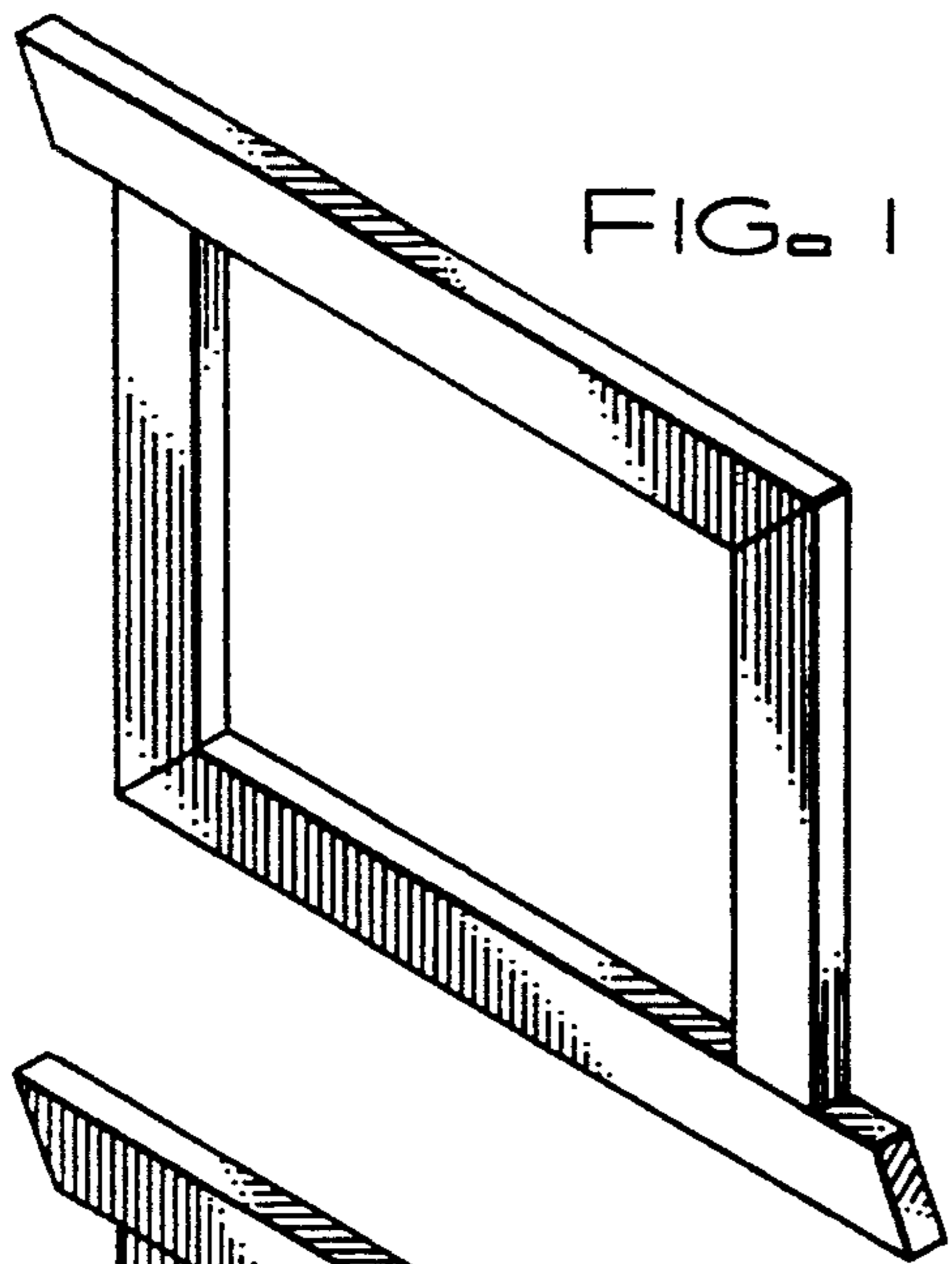


FIG. 1



FIG. 2

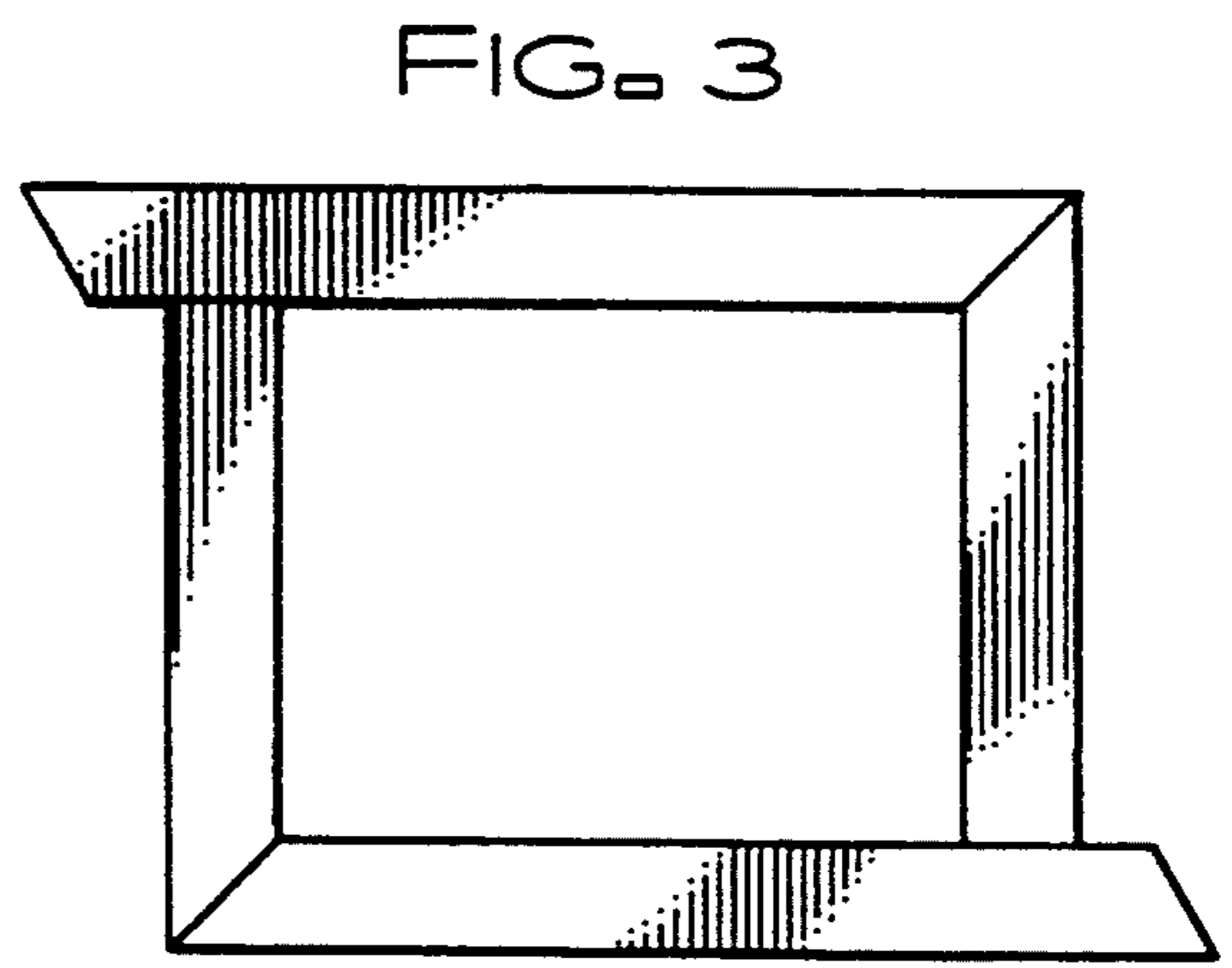


FIG. 3

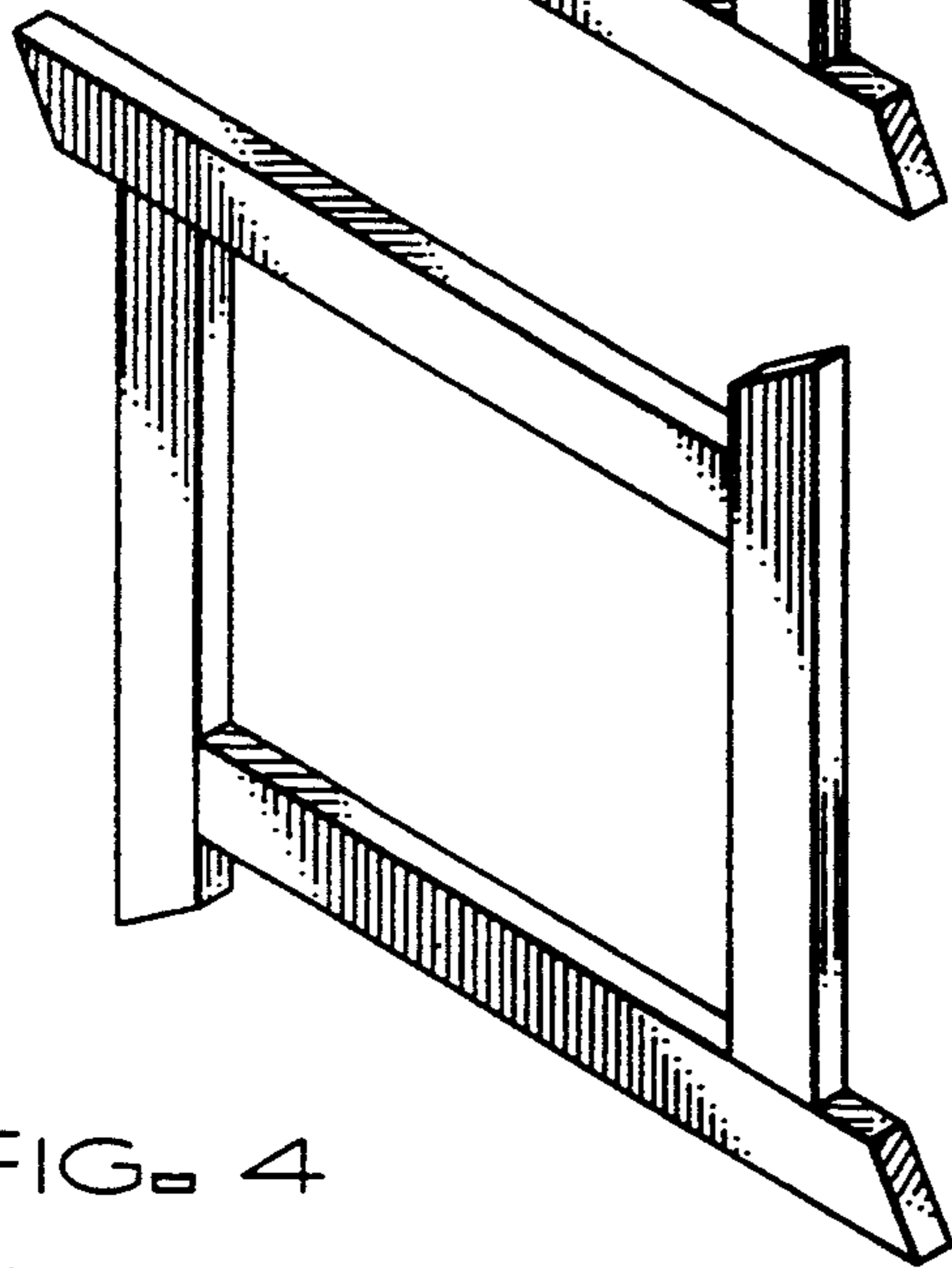


FIG. 4

FIG. 5

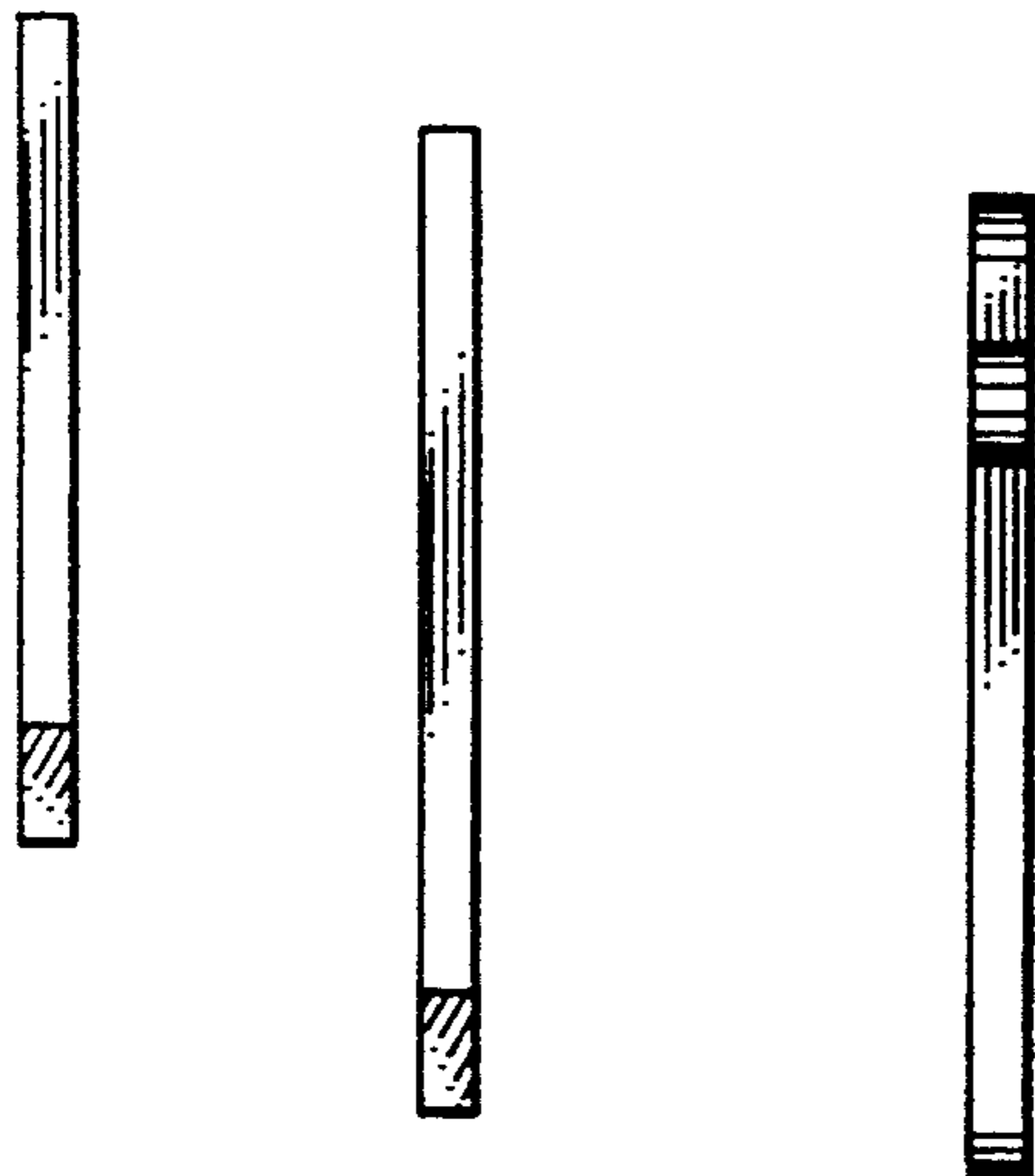


FIG. 6

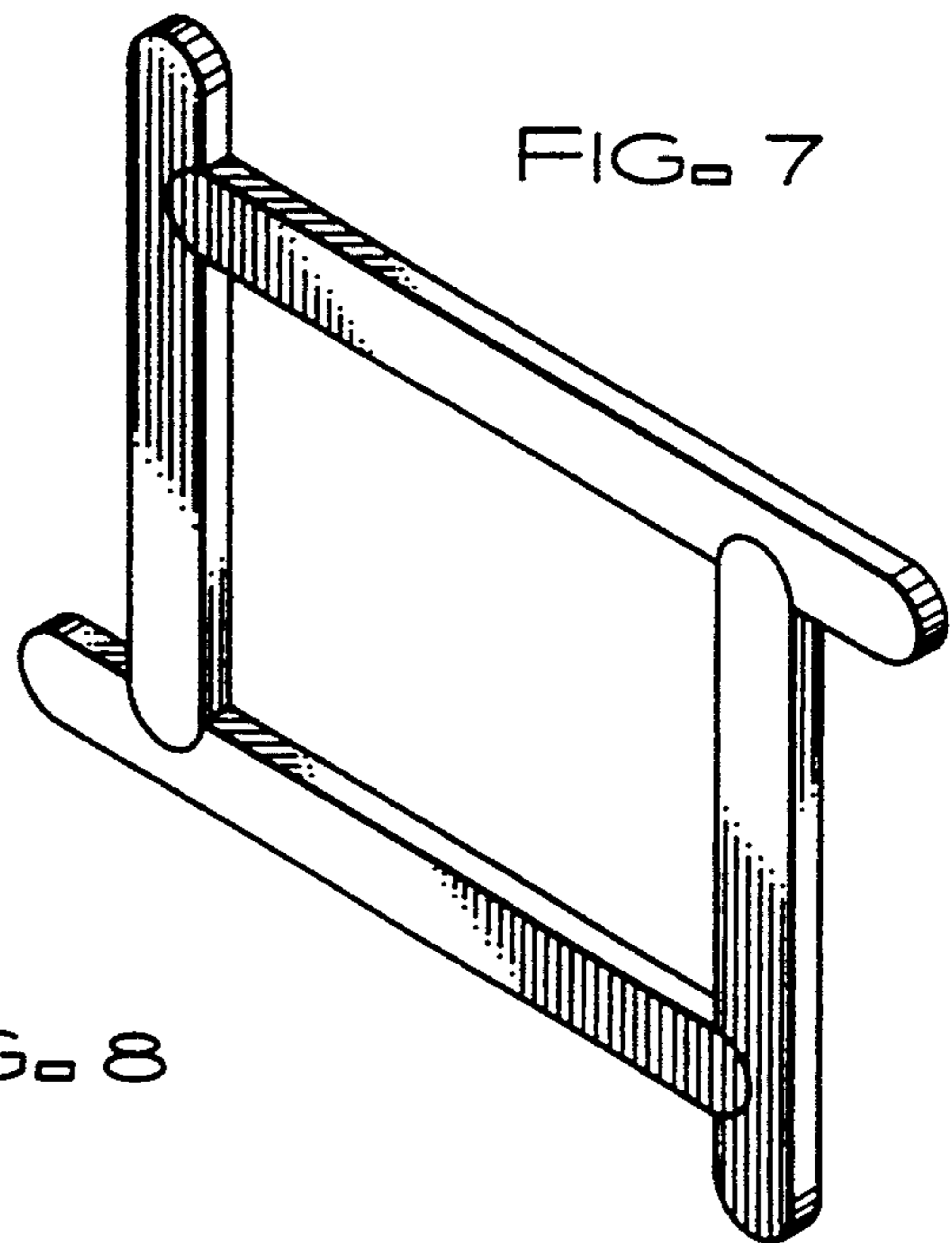


FIG. 7

FIG. 8