



US00D355768S

United States Patent [19]

[11] Patent Number: Des. 355,768

Cook

[45] Date of Patent: ** Feb. 28, 1995

[54] PURSE SHOULDER STRAP ANCHOR

4,040,147 8/1977 King 224/264
4,881,672 11/1989 Gustafson 224/264

[76] Inventor: Marjory Cook, 1861 Post Dr., Belmont, Mich. 49306

Primary Examiner—Louis S. Zarfes
Attorney, Agent, or Firm—Terry M. Gernstein

[**] Term: 14 Years

[21] Appl. No.: 6,640

[57] CLAIM

[22] Filed: Apr. 2, 1993

The ornamental design for a purse shoulder strap anchor, as shown and described.

[52] U.S. Cl. D3/327; D2/639; D11/215

DESCRIPTION

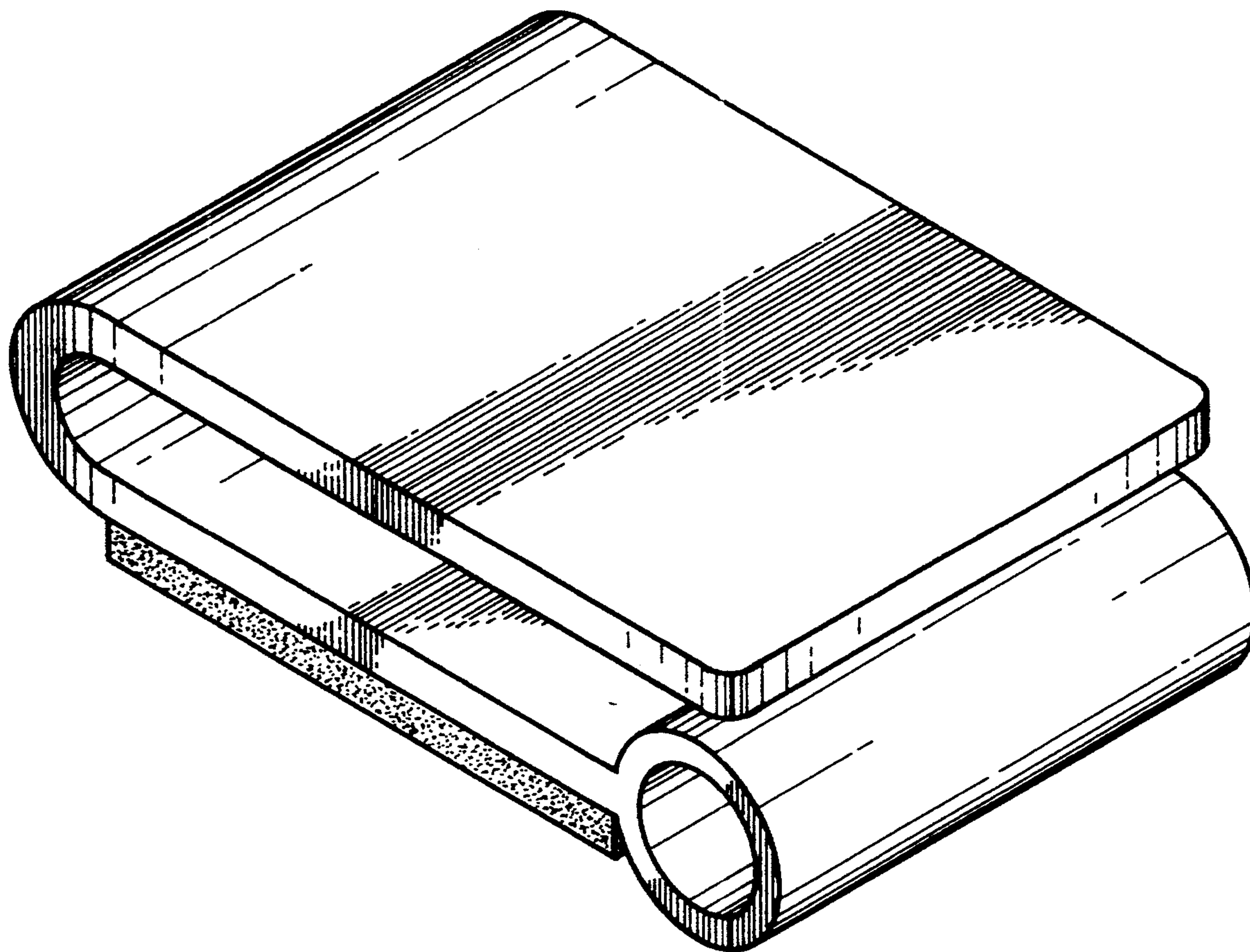
[58] Field of Search D3/318, 327; D2/639; D11/215; 224/264

FIG. 1 is a front, top and side perspective view of the purse shoulder strap anchor showing my new design; FIG. 2 is a front elevational view thereof; FIG. 3 is a rear elevational view thereof; FIG. 4 is a side elevational view thereof, the side opposite being a mirror image of the side shown in FIG. 4; FIG. 5 is a top plan view thereof; and, FIG. 6 is a bottom plan view thereof.

[56] References Cited

U.S. PATENT DOCUMENTS

D. 33,533 11/1900 Johnson D11/215
D. 239,147 3/1976 Karlsen D11/215
D. 244,968 7/1977 Fowble D11/215



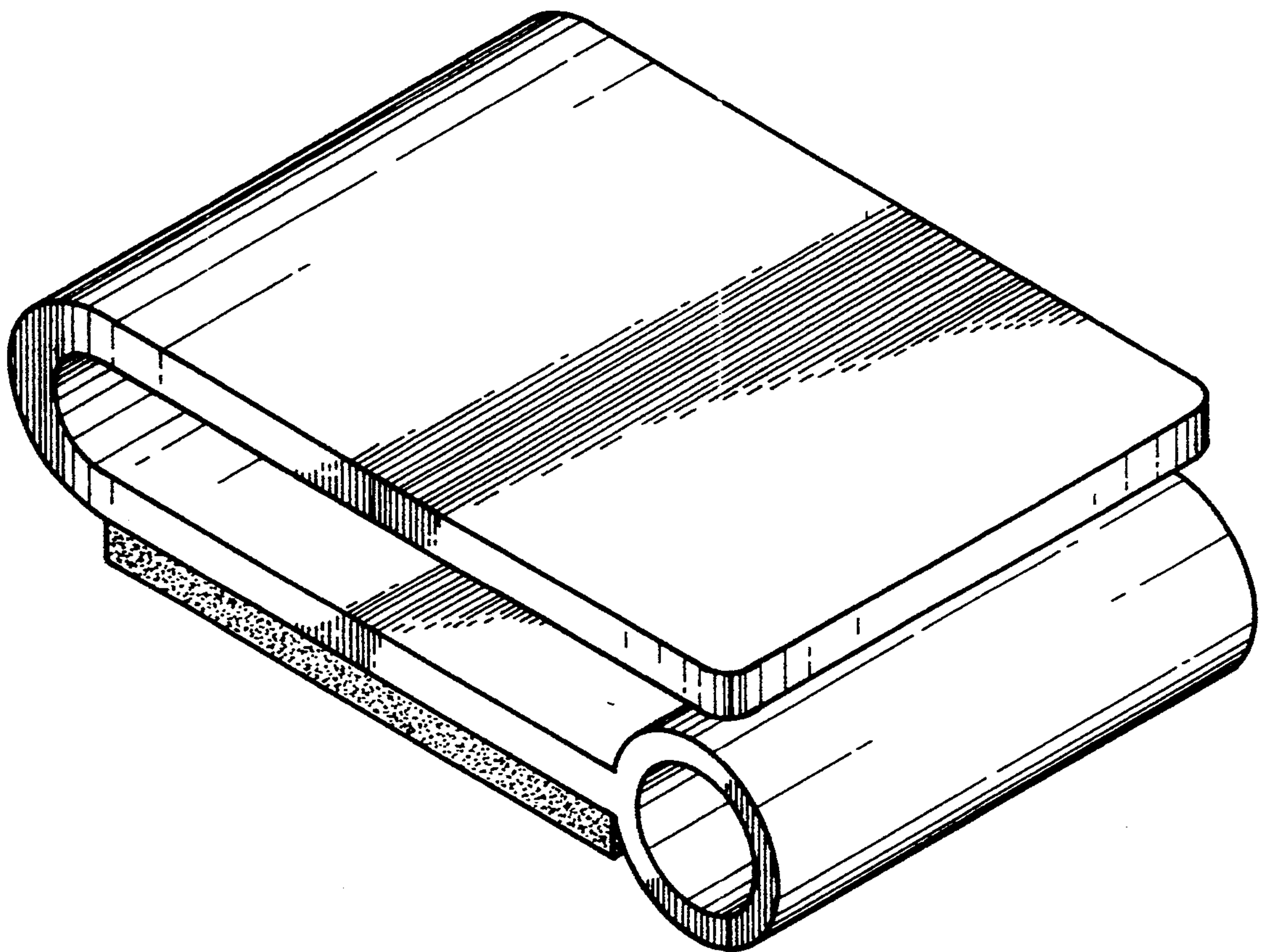


FIG. 1

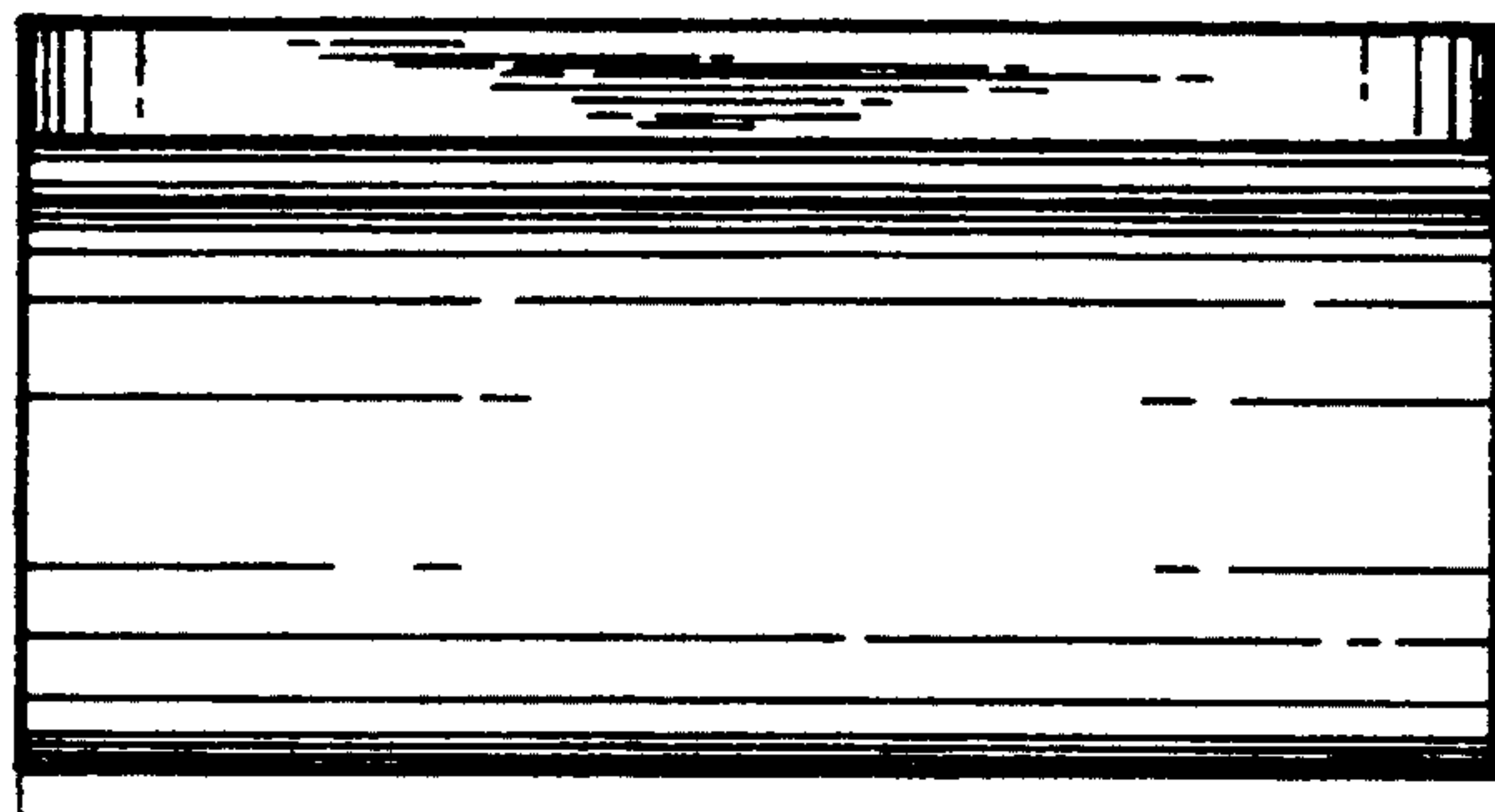


FIG. 2

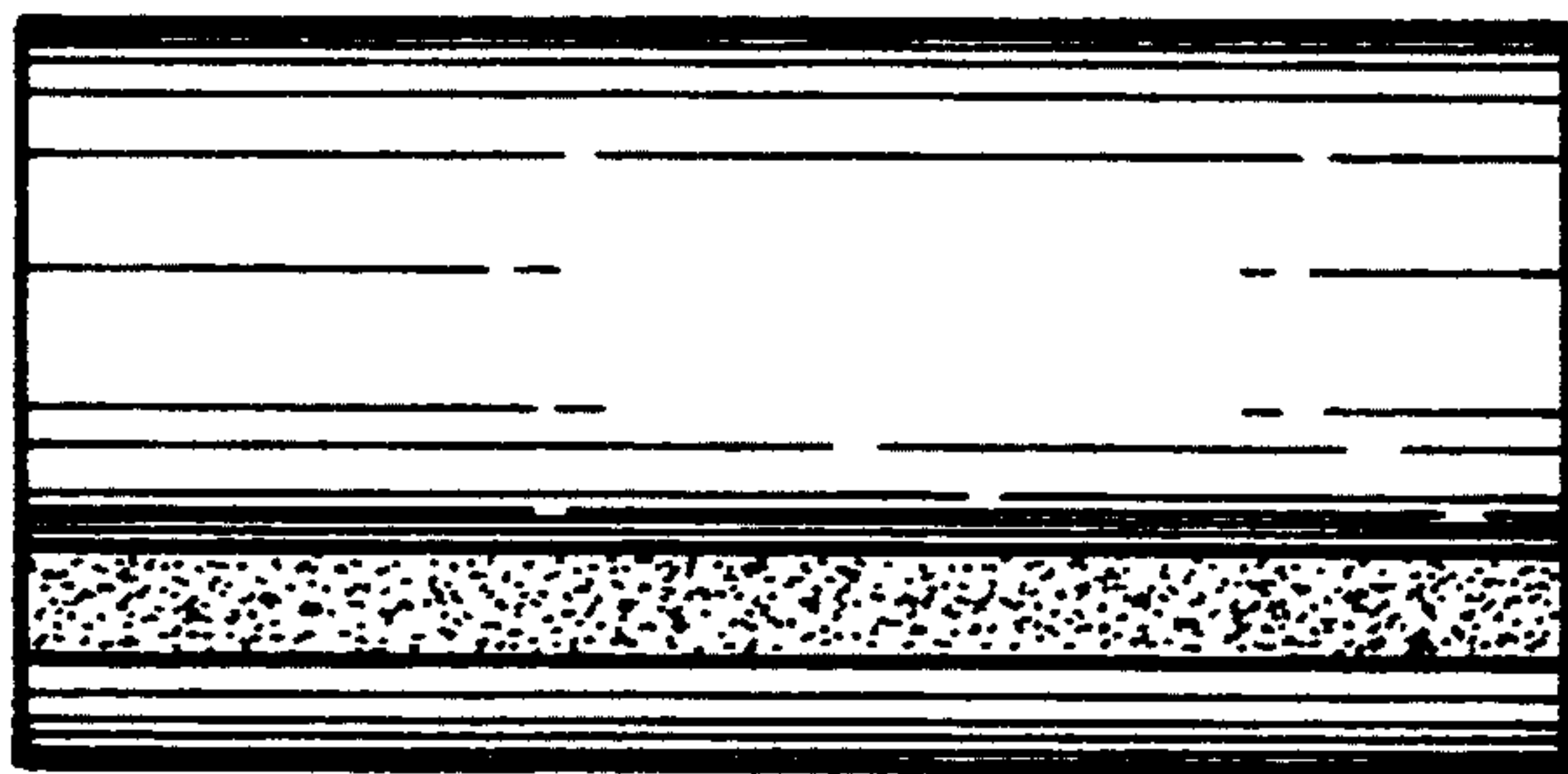


FIG. 3

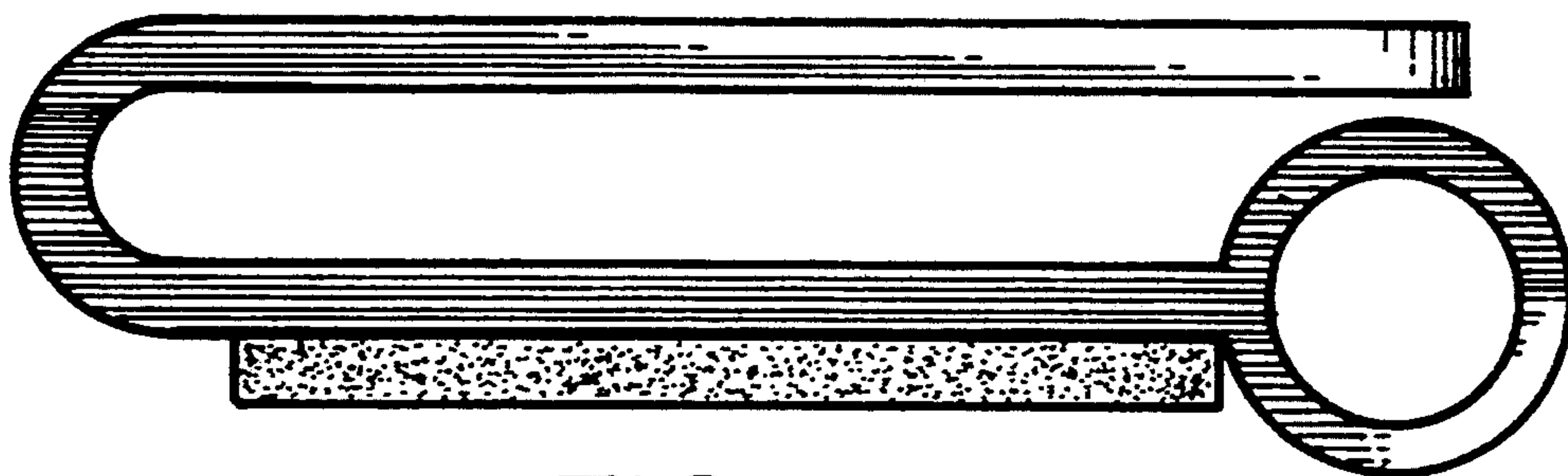


FIG. 4

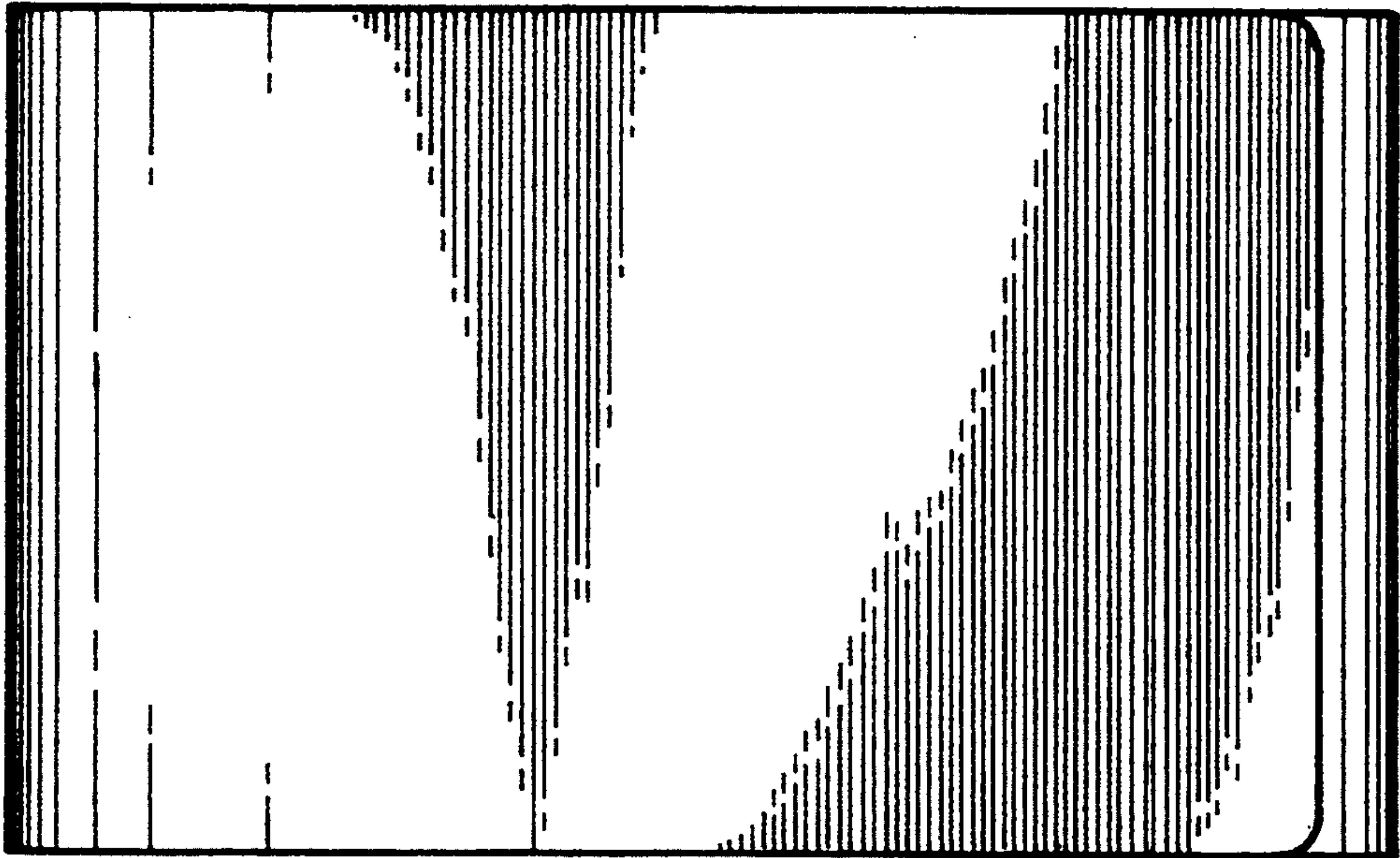


FIG. 5

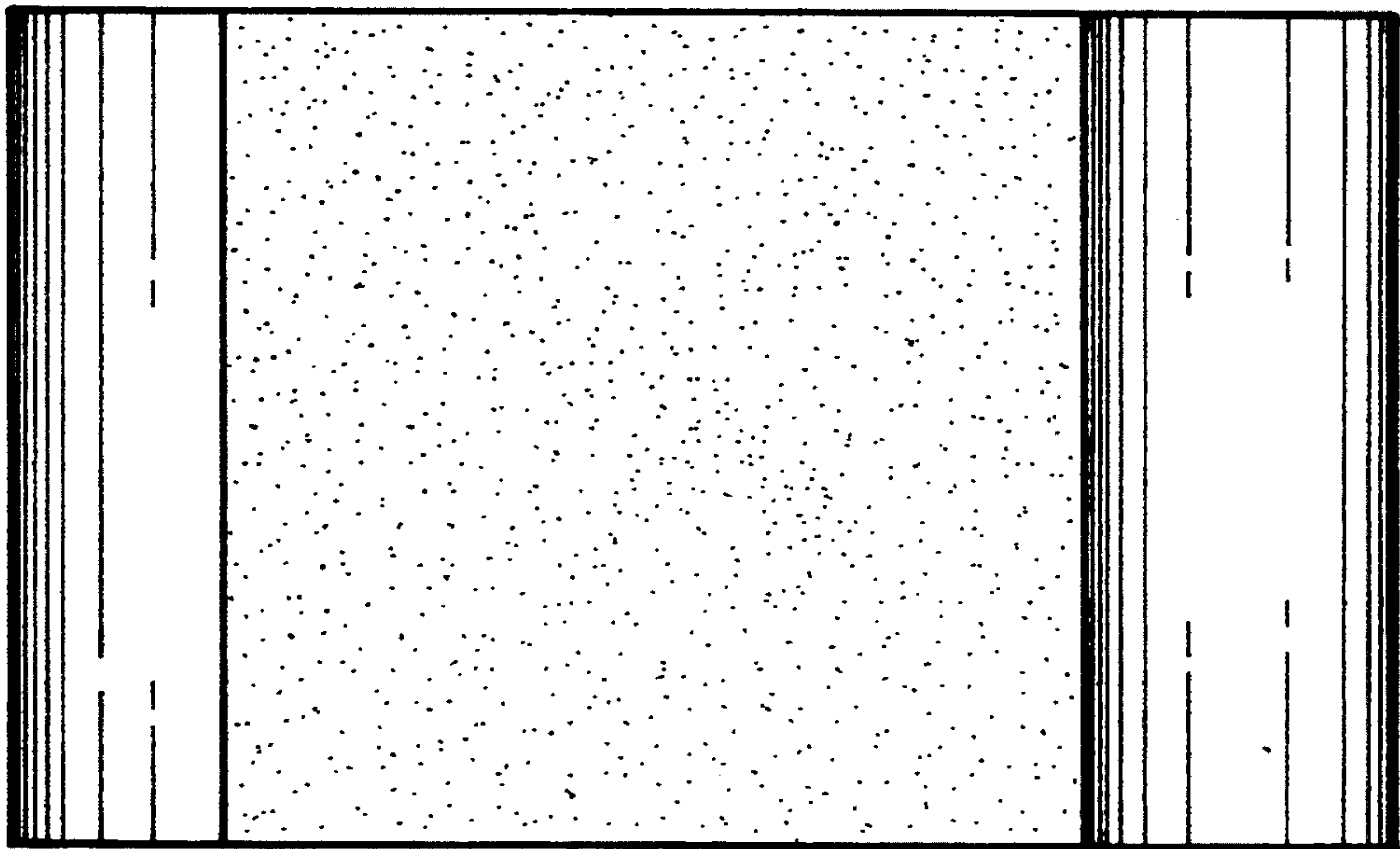


FIG. 6