



US00D355766S

United States Patent [19]

[11] Patent Number: **Des. 355,766**

Miller

[45] Date of Patent: **** Feb. 28, 1995**

[54] **DOMED STORAGE CONTAINER LID**

[75] Inventor: **D. Scott Miller, Wooster, Ohio**

[73] Assignee: **Rubbermaid Incorporated, Wooster, Ohio**

[**] Term: **14 Years**

[21] Appl. No.: **11,841**

[22] Filed: **Aug. 16, 1993**

[52] U.S. Cl. **D3/319**

[58] Field of Search **D3/319-321;**
D7/391-392.1, 538-542, 605; D9/434-435,
414, 424, 432, 435, 452; 220/306, 352, 356

[56] **References Cited**

U.S. PATENT DOCUMENTS

- D. 106,777 11/1937 Voigt et al. .
- D. 158,368 5/1950 Felts et al. **D58/12.6**
- D. 168,205 11/1952 Baustian et al. **D87/5**
- D. 193,909 10/1962 Bloch **D58/4**
- D. 197,814 3/1964 Piker **D58/17**
- D. 232,798 9/1974 Roche **D7/77**
- D. 234,616 3/1975 Meyers **D34/15A**
- D. 238,051 12/1975 Fier **D9/240**
- D. 238,148 12/1975 Dilot **D9/219**
- D. 239,249 3/1976 Branscum **D7/77**
- D. 239,695 4/1976 Mundelein **D9/237**
- D. 244,822 6/1977 Havelly **D7/77**
- D. 249,930 10/1978 Seager **D7/605 X**
- D. 257,934 1/1981 Bus **D7/61**
- D. 258,723 3/1981 Cornow **D7/76**
- D. 268,979 5/1983 Ruxton **D7/77**
- D. 269,398 6/1983 Ruxton **D7/77**
- D. 280,216 8/1985 Boklund **D19/52**
- D. 283,480 4/1986 Bailey **D7/605**
- D. 286,937 11/1986 Schafer **D34/43**
- D. 293,279 12/1987 Evans **D3/35**
- D. 302,774 8/1989 Murphy **D7/76**
- D. 308,340 6/1990 Ilsen **D9/425**
- D. 309,106 7/1990 Welson **D9/430**
- D. 312,573 12/1990 Poirier **D9/424**
- D. 319,016 8/1991 Kahl **D9/424**
- D. 321,091 10/1991 Dickinson **D3/78**
- D. 324,154 2/1992 Embree **D7/605**
- D. 325,323 4/1992 Kahl **D7/605**
- D. 325,324 4/1992 Kahl **D7/605**
- D. 325,853 5/1992 Kahl **D7/605**
- D. 327,203 6/1992 Kahl **D7/605**

- D. 328,425 8/1992 Brightbill **D9/425**
- D. 329,331 9/1992 Hobson **D3/78**

(List continued on next page.)

OTHER PUBLICATIONS

Hardware Age, Nov. 1983, p. 47, Cooler Lid, top, left corner.

Label, Textil' Box; Rhenanit, Address Unknown. It is believed that the product depicted herein has been on sale for more than one (1) year prior to the application date of this instant application.

(List continued on next page.)

Primary Examiner—Terry A. Wallace

Attorney, Agent, or Firm—Richard B. O'Planick; Lisa B. Riedesel

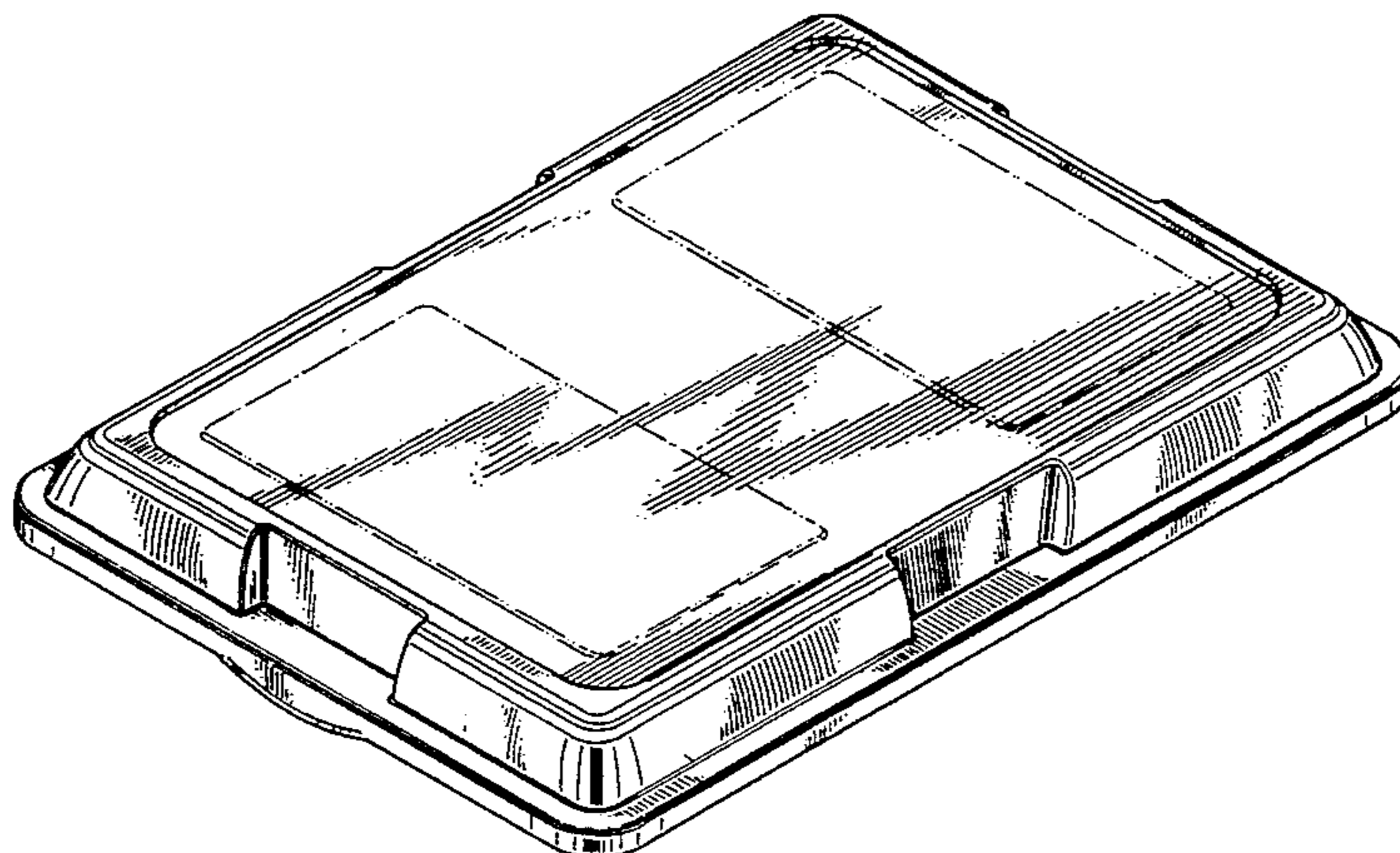
[57] **CLAIM**

The ornamental design for a domed storage container lid, as shown and described.

DESCRIPTION

FIG. 1 is a top, left side, front perspective view of a domed storage container lid showing my new design; FIG. 2 is a top plan view thereof; FIG. 3 is a bottom plan view thereof; FIG. 4 is a left side elevational view thereof, the opposite side being identical; FIG. 5 is a front elevational view thereof; the opposite side being identical; FIG. 6 is a top, left side, front perspective view of an alternate embodiment of FIG. 1; FIG. 7 is a top, left side, front perspective view of an alternate embodiment of FIG. 1; FIG. 8 is a top plan view of FIG. 6; FIG. 9 is a right side elevational view of FIG. 6, the opposite side being identical; FIG. 10 is a bottom plan view of FIG. 6; FIG. 11 is a rear elevational view of FIG. 7; FIG. 12 is a right side elevational view of FIG. 7, the opposite side being identical; FIG. 13 is a top plan view of FIG. 7; and, FIG. 14 is a bottom plan view of FIG. 7.

The broken lines shown in FIGS. 1, 2, 6 and 8 are for illustrative purposes only and form no part of the claimed design.



U.S. PATENT DOCUMENTS

D. 329,747	9/1992	Embree	D3/78
D. 330,329	10/1992	Brightbill	D9/424
D. 332,745	1/1993	Koloski	D9/424
D. 334,453	3/1993	Koloski	D34/40
D. 334,662	4/1993	Van Berne	D3/70
D. 336,243	6/1993	Evans	D9/425
D. 339,471	9/1993	Maple et al.	D3/78
2,767,878	10/1956	Brown	220/45
3,323,491	2/1966	Hunt	222/154
3,351,227	11/1967	Collie	220/60
3,419,184	12/1968	Asenbauer	220/97
3,606,511	9/1971	Henning et al.	312/266
3,741,433	6/1973	Bentley et al.	220/55.7
3,791,547	2/1974	Branscum	220/17
3,938,688	2/1976	Ryan	D7/541 X
3,987,829	10/1976	Leone	150/0.5
4,024,731	5/1977	Branscum	62/457
4,351,165	9/1982	Grottsegen	62/371
4,488,669	12/1984	Waters	224/273
4,523,692	6/1985	Lemkin	220/306
4,667,484	5/1987	Tarozzi	62/371
4,674,665	6/1987	Van Kirk	224/273
4,696,412	9/1987	McGowan	220/335
4,848,626	7/1989	Waters	224/273
4,863,023	9/1989	Payne et al.	206/364

OTHER PUBLICATIONS

Sell Sheet; Storage Boxes; Sterile Corporation, P.O. Box 30157, Birmingham, Ala. 35222. It is believed that the product depicted herein has been on sale for more than one (1) year prior to the application date of this instant application.

Sell Sheet, Box; Sterilite Corporation, P.O. Box 30157, Birmingham, Ala. 35222. Publication Date 1991.

Sell Sheet, Omni Box; Sterilite Corporation, P.O. Box 30157, Birmingham, Ala. 35222. Publication Date Jan. 17, 1990.

Catalog Page, Boxes; Sterilite Corporation, P.O. Box 30157, Birmingham, Ala. 35222. Publication Date 1990. Catalog Page, Tote Bins; Sterilite Corporation, P.O. Box 30157, Birmingham, Ala. 35222. Publication Date 1990.

Sell Sheet, Utility Boxes; Coast-to-Coast Container Corp. 94, Pinewood Gardens, Hartsdale, N.Y. 10530. It is believed that the product depicted herein has been on sale for more than one (1) year prior to the application date of this instant application.

Sell Sheet, Containers; Coast-to-Coast Container Corp. 94, Pinewood Gardens, Hartsdale, N.Y. 10530. It is believed that the product depicted herein has been on sale for more than one (1) year prior to the application date of this instant application.

Sell Sheet, Storage Boxes; Max Klein, Barall, Wis. 53913. It is believed that the product depicted herein has been on sale for more than one (1) year prior to the application date of this instant application.

Installation Instructions, Box; Delta Consolidated Industries, Ins., 4800 Krueger Dr., Jonesboro, Ariz. 72403-1846. Publication Date Oct. 1988.

Sell Sheet, Dock Box; American Dock Company, 13800 172nd Ave., Grand Haven, Mi. 49417. Publication Date Apr. 1, 1991.

P. 27, Dock Boxes; Follansbee Dock System, State St., P.O. Box 610, Follansbee, W. Va. 26037. It is believed that the product depicted herein has been on sale for more than one (1) year prior to the application date of this instant application.

(List continued on next page.)

OTHER PUBLICATIONS

Catalog Page, Storage Box; The Coleman Company, 250 North St., Francis, Wichita, Kans. 67202. It is believed that the product depicted herein has been on sale for more than one (1) year prior to the application date of this instant application.

Catalog Page, Storage Container; Tucker Housewares, 25 Tucker Dr., Leominster, Mass. 01453. Publication Date Jan. 1989.

Catalog Page, Storage Container; Tucker Housewares, 25 Tucker Dr., Leominster, Mass. 01453. Publication Date Jan. 1989.

Catalog Page, Storage Container; Tucker Housewares, 25 Tucker Dr., Leominster, Mass. 01453. It is believed that the product depicted herein has been on sale for more than one (1) year prior to the application date of this instant application.

Catalog Page, Storage Container; Tucker Housewares, 25 Tucker Dr., Leominster, Mass. 01453. It is believed that the product depicted herein has been on sale for more than one (1) year prior to the application date of this instant application.

Pp. 10 & 28, Storage Container; Contico, 1101 Warson

Rd., St. Louis, Mo. 63132. Publication Date 1991-1992. Label, Box; Tamor Plastic Corp., Leominster, Mass. 01453. It is believed that the product depicted herein has been on sale for more than one (1) year prior to the application date of this instant application.

Price List, Boxes; Tamor Plastics Corp., Leominster, Mass. 01453. It is believed that the product depicted herein has been on sale for more than one (1) year prior to the application date of this instant application.

Label, Storage Container; Transco Houseware, A Division of Laich Industries, Cleveland, Ohio. It is believed that the product depicted herein has been on sale for more than one (1) year prior to the application date of this instant application.

Sell Sheet, Storage Box; Jokari/U.S. Inc., 4715 McEwen Rd., Dallas, Tex. 75244. Publication date 1986.

Pp. 8, 11, Containers; Rubbermaid Commercial Products Inc., 3124 Valley Ave., Winchester, Va. 22601. Publication Date 1991.

Pp. 2, 7, 28, Containers; Rubbermaid Incorporated, 1147 Akron Road, Wooster, Ohio 44691. Publication Date 1988.

Sale Sheet, Containers; Rubbermaid Incorporated, 1147 Akron Rd., Wooster, Ohio 44691. Publication Date 1991.

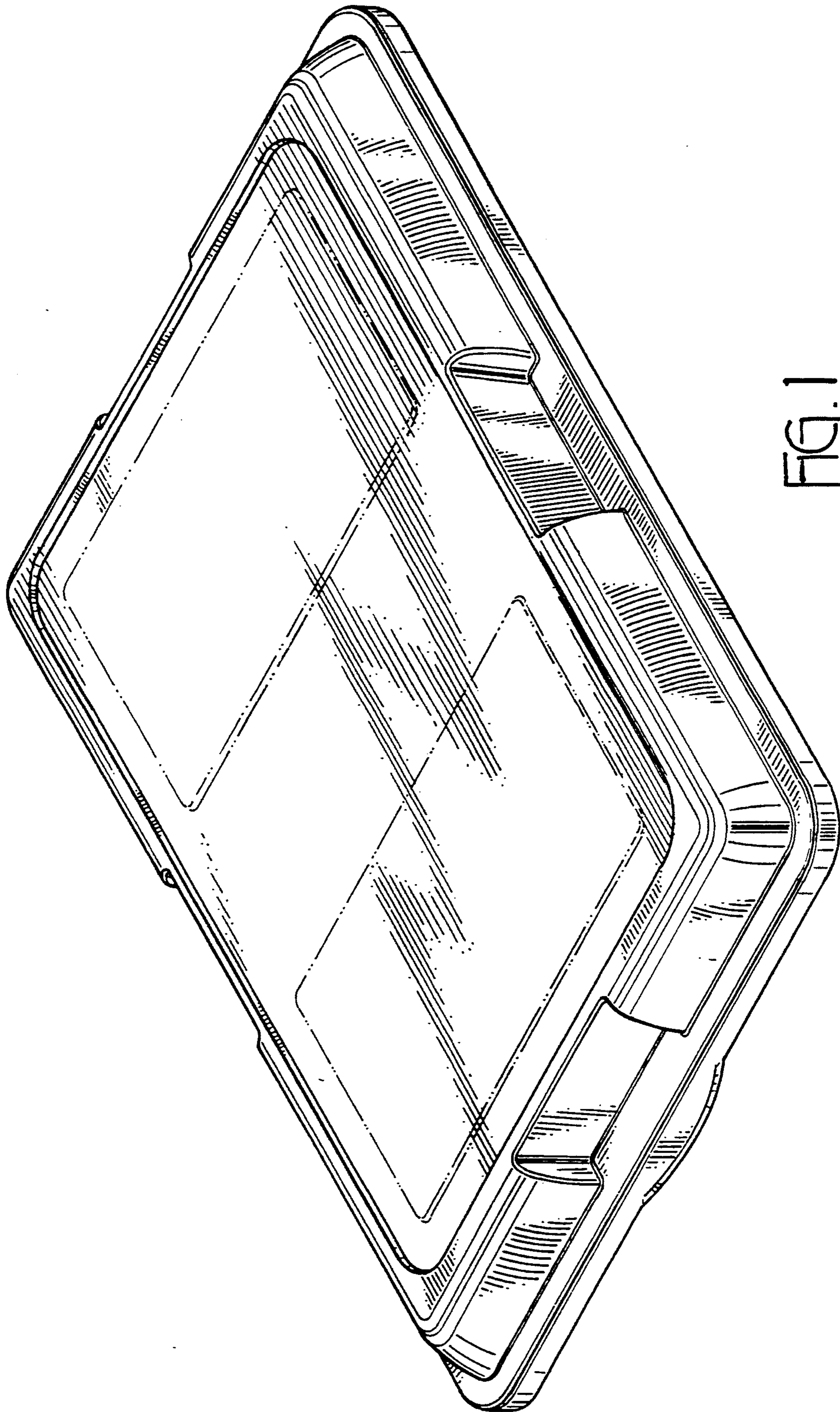


FIG. 1

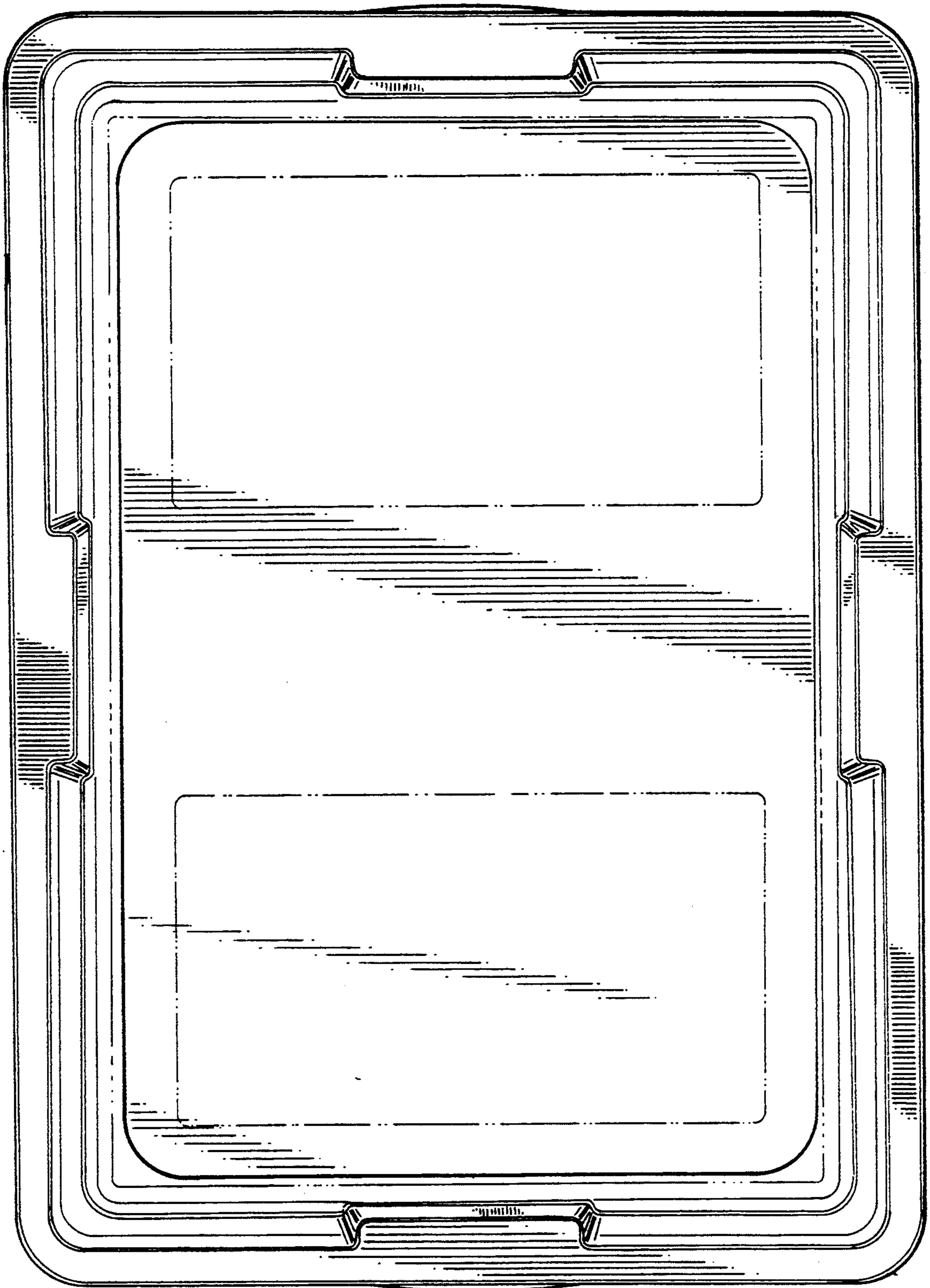


FIG. 2

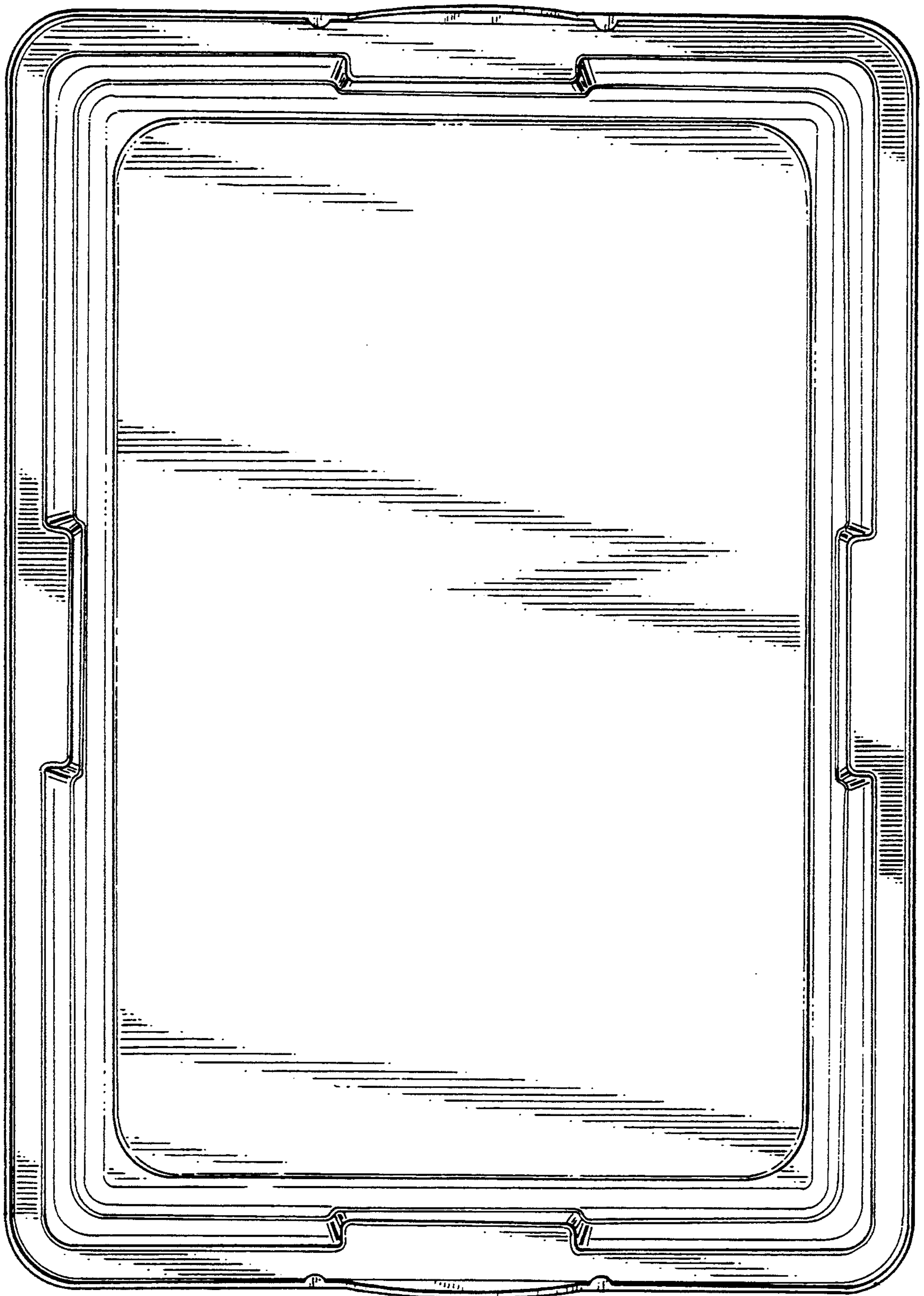


FIG. 3

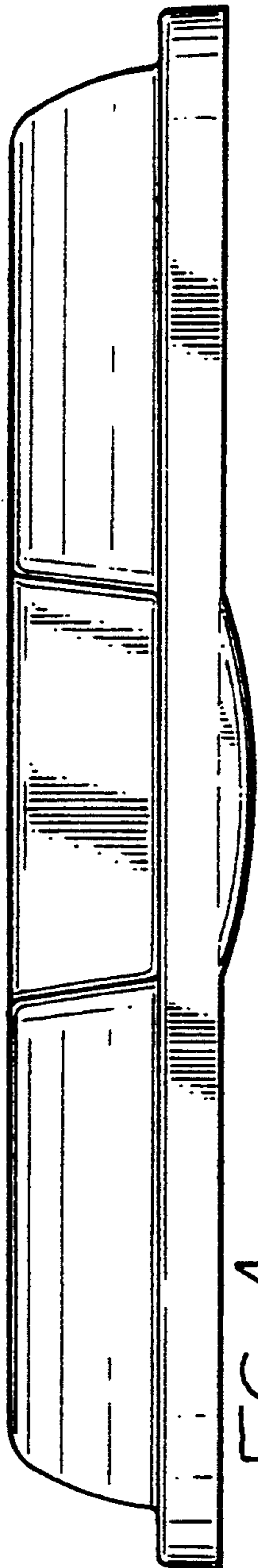


FIG. 4

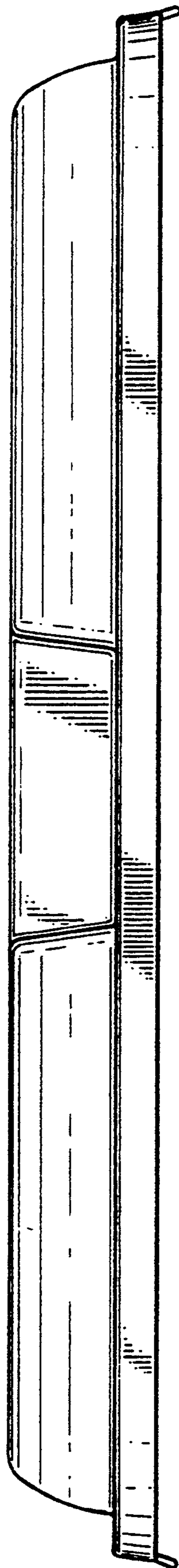


FIG. 5

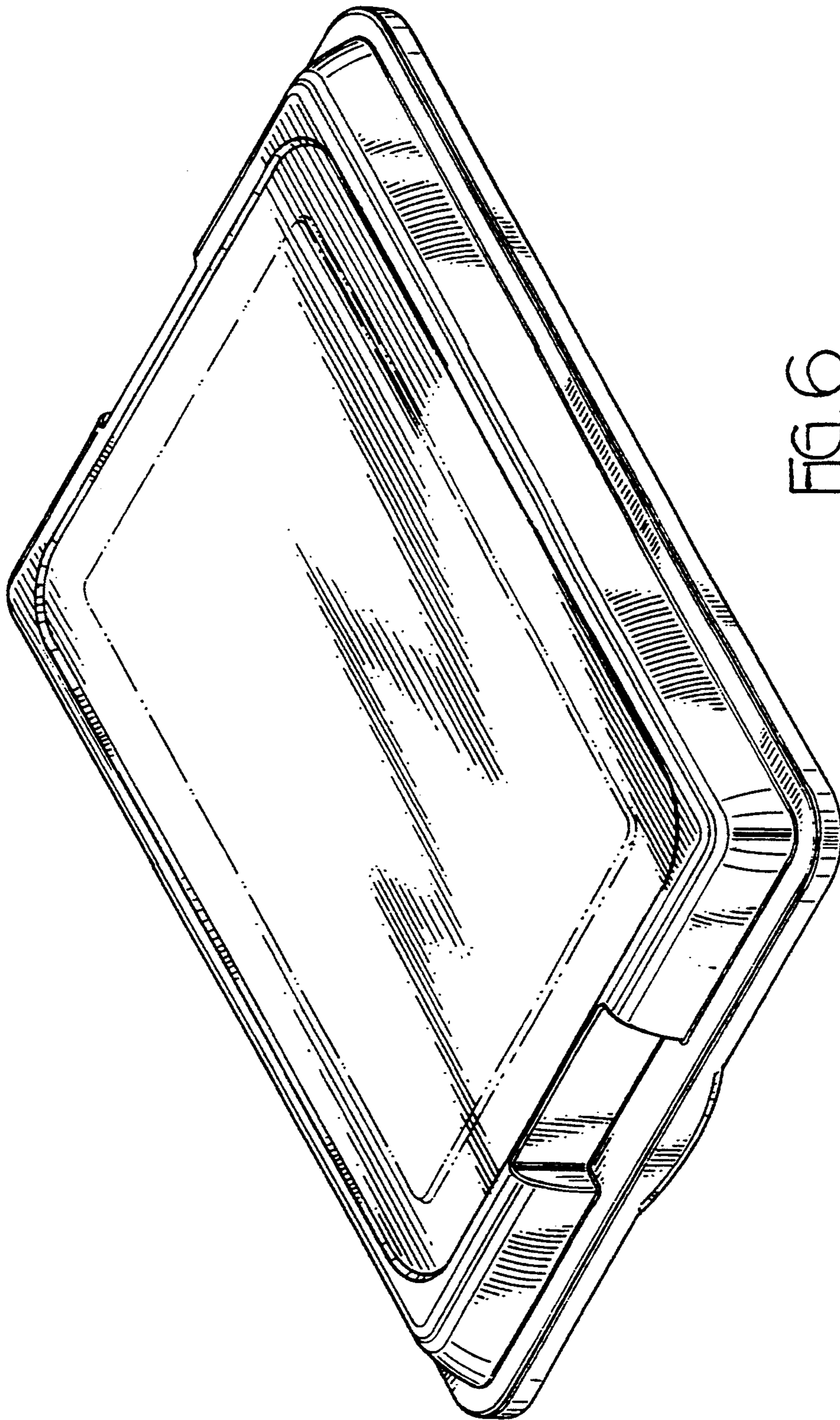


FIG. 6

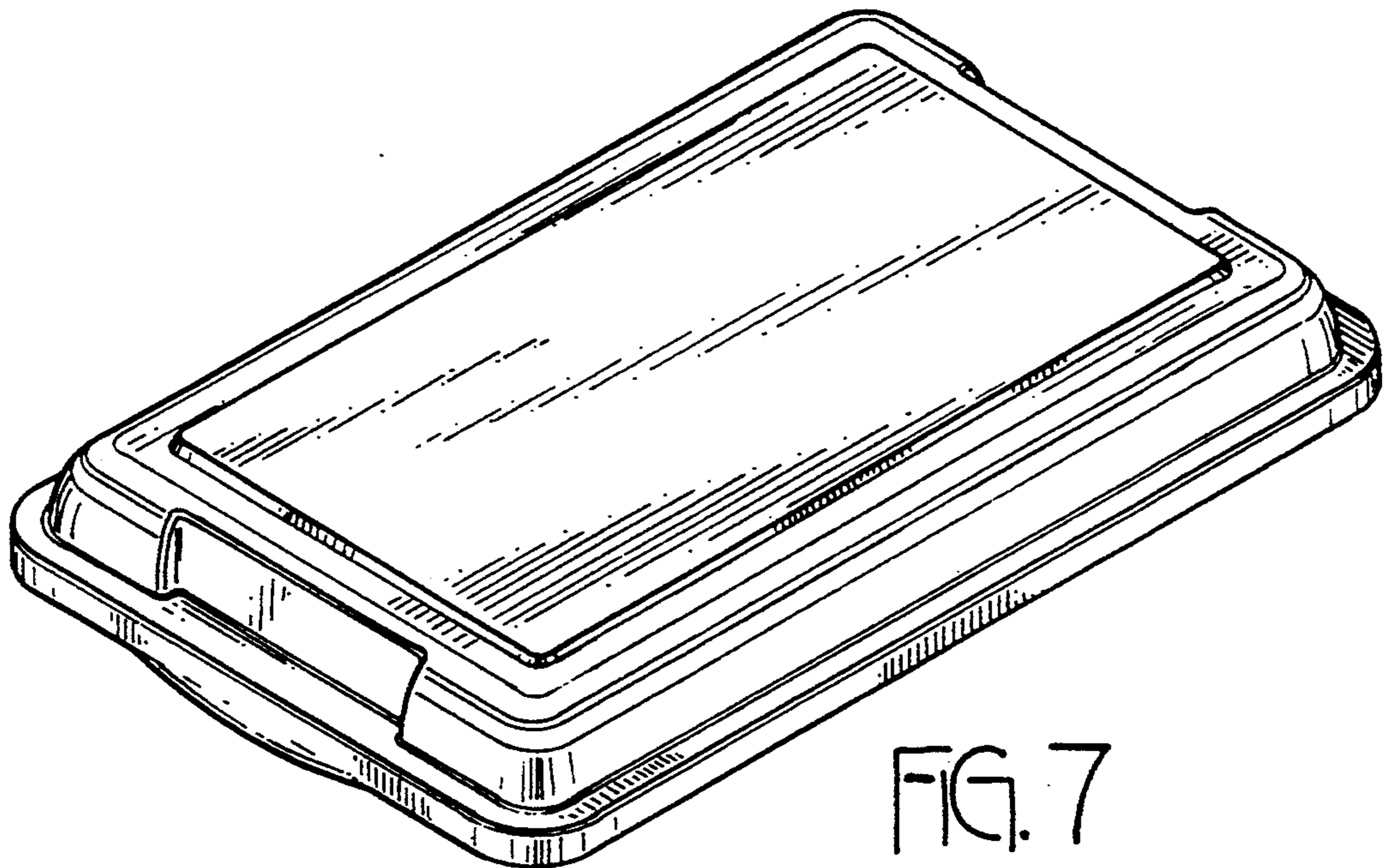


FIG. 7

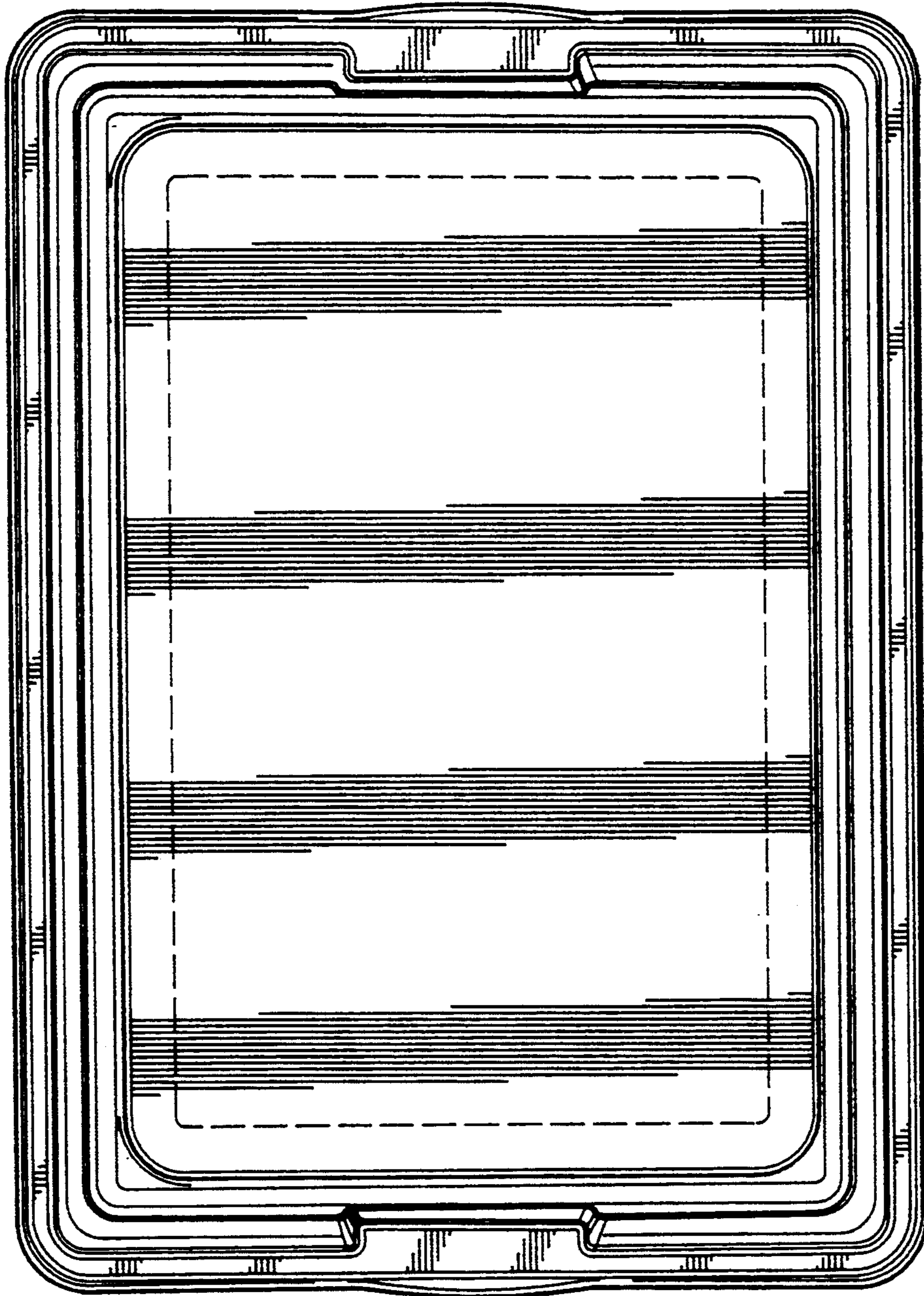


FIG. 8



FIG. 9

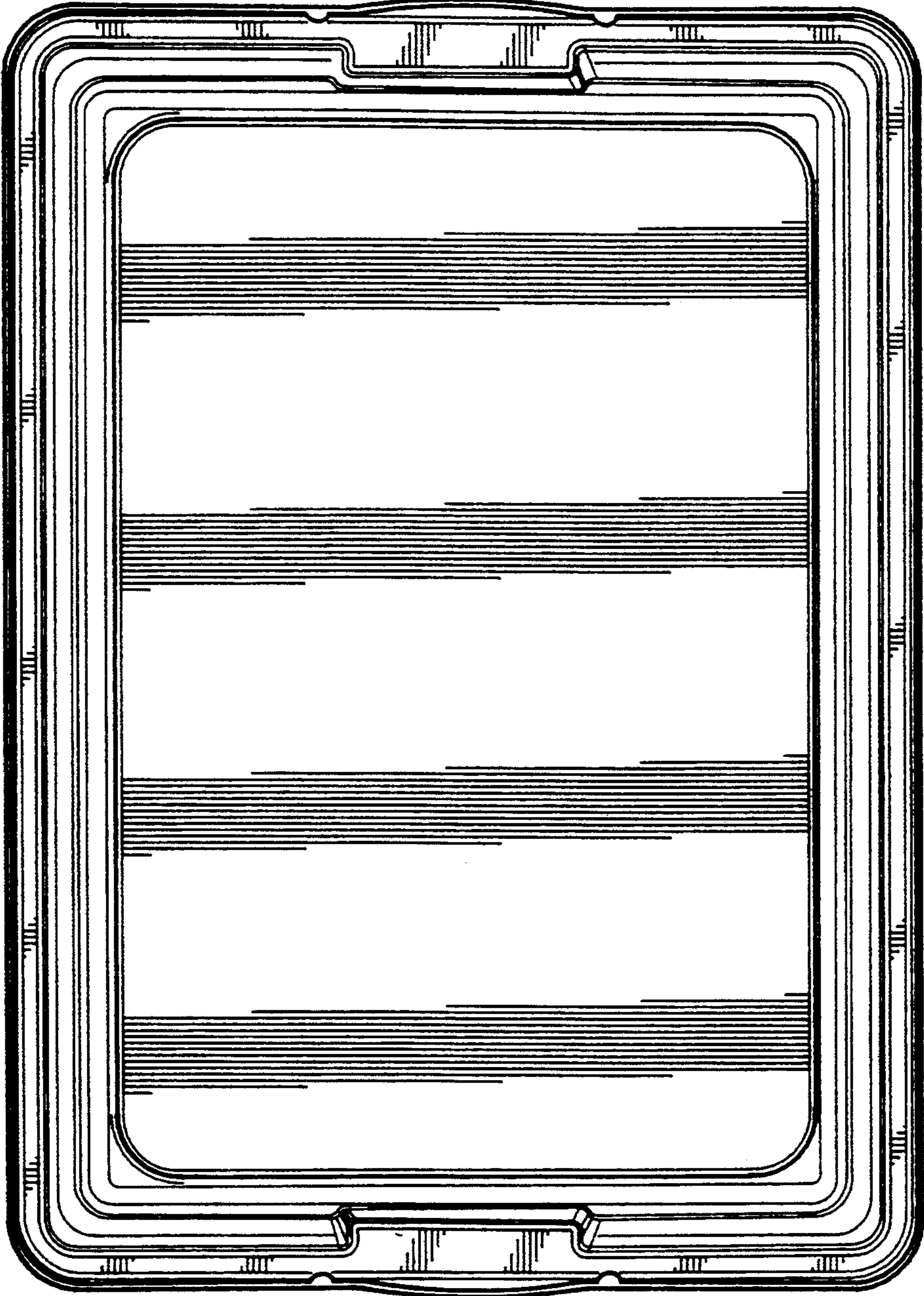


FIG. 10

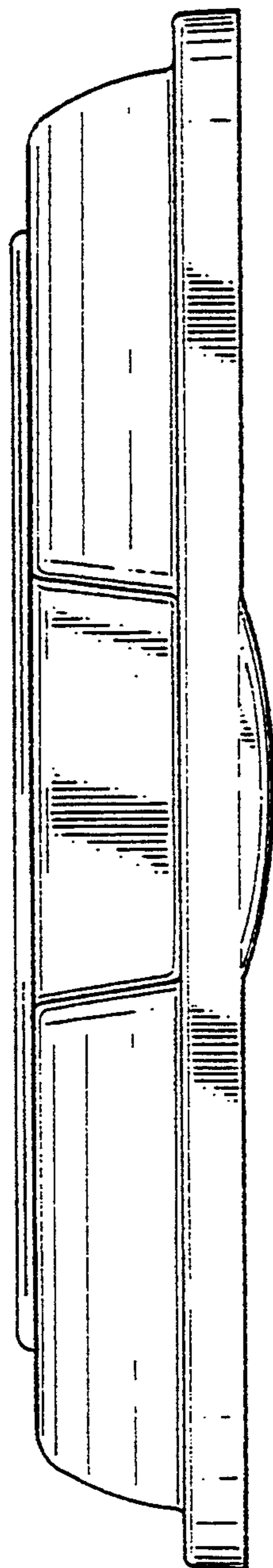


FIG. 11



FIG. 12

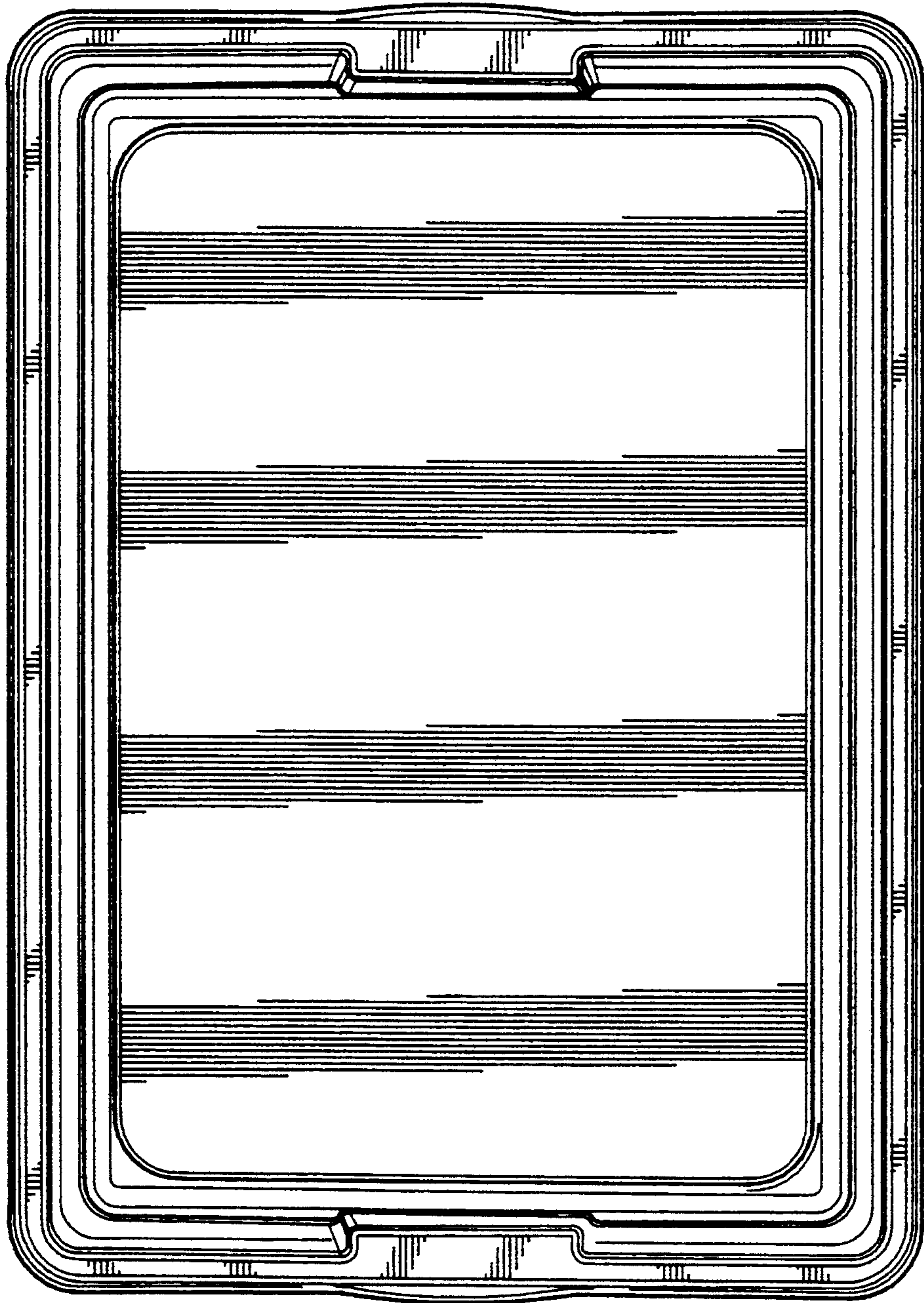


FIG. 13

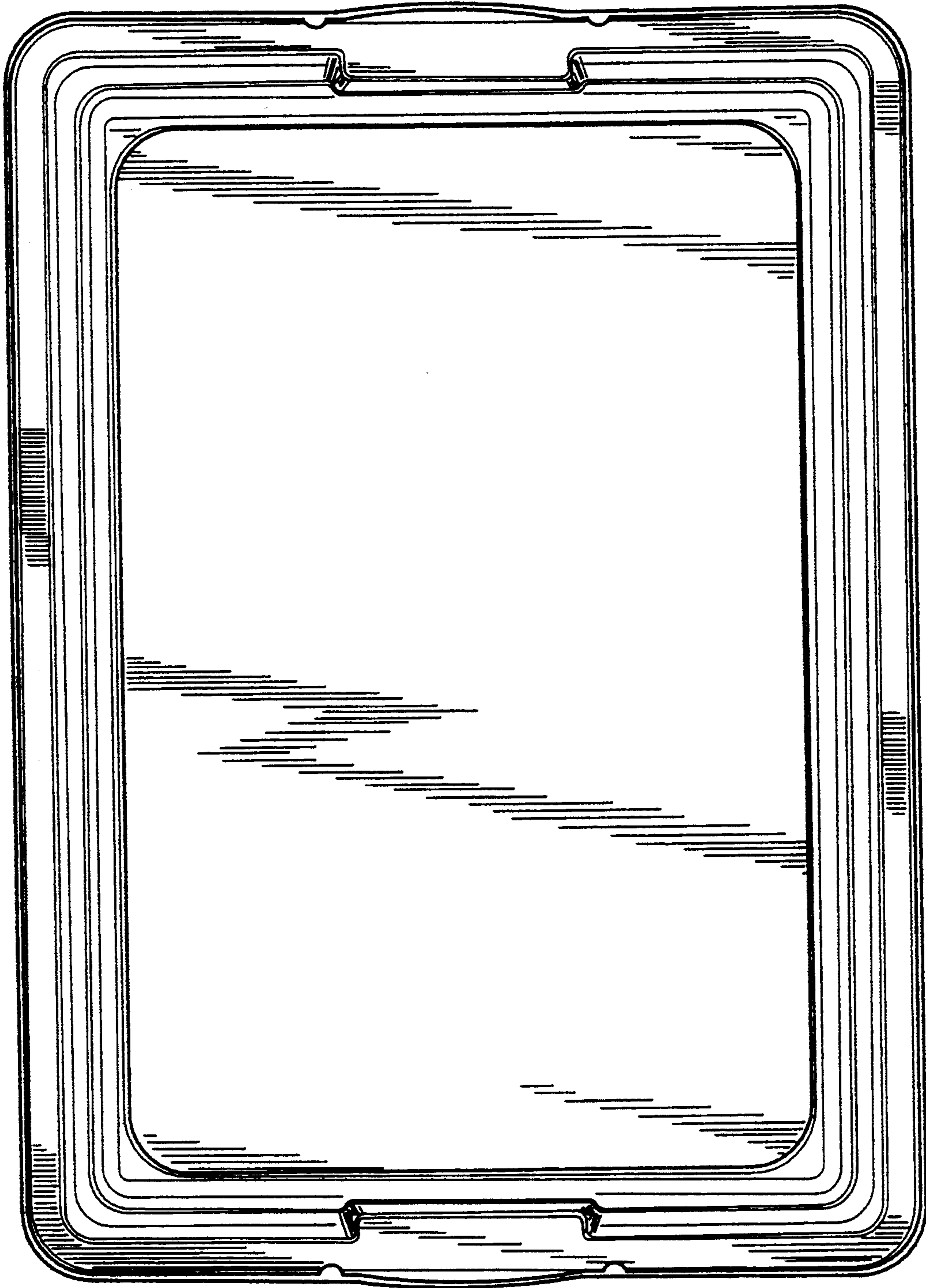


FIG. 14