



US00D355764S

United States Patent [19]

[11] Patent Number: **Des. 355,764**

Apps

[45] Date of Patent: **** Feb. 28, 1995**

[54] NESTABLE TRAY

[75] Inventor: **William P. Apps**, Anaheim, Calif.

[73] Assignee: **Rehrig Pacific Company, Inc.**, Los Angeles, Calif.

[**] Term: **14 Years**

[21] Appl. No.: **7,195**

[22] Filed: **Mar. 18, 1993**

[52] U.S. Cl. **D3/304**

[58] Field of Search **D3/304-314;**
D9/424; 206/139, 144, 503-507, 509, 514, 515,
517, 518, 519, 557; 220/890, DIG. 12, DIG. 2,
509, 519

[56] References Cited

U.S. PATENT DOCUMENTS

- D. 245,760 9/1977 Box .
- D. 252,961 9/1979 Carroll et al. .
- D. 313,493 1/1991 Apps et al. .
- D. 317,670 6/1991 Apps .
- D. 318,552 7/1991 Apps .
- D. 322,917 1/1992 Morris et al. .
- 3,672,530 6/1972 Bridenstine et al. .
- 4,834,243 5/1989 Langenbeck .
- 5,292,001 3/1994 Langenbeck et al. 206/518

FOREIGN PATENT DOCUMENTS

WO90/15758 12/1990 WIPO .

Primary Examiner—Bernard Ansher

Assistant Examiner—Mitchell I. Siegel

Attorney, Agent, or Firm—Banner, Birch, McKie and Beckett

[57] CLAIM

The ornamental design for a nestable tray, as shown and described.

DESCRIPTION

FIG. 1 is a top plan view of a nestable tray showing my design;

FIG. 2 is a side elevational view of a sidewall of the tray in FIG. 1, the opposite sidewall being identical;

FIG. 3 is a side elevational view of an endwall of the tray in FIG. 1, the opposite endwall being identical;

FIG. 4 is a bottom plan view of the tray in FIG. 1;

FIG. 5 is a cross sectional view taken on line 5—5 of FIG. 1;

FIG. 6 is a cross sectional view taken on line 6—6 of FIG. 1;

FIG. 7 is a fragmentary cross sectional view taken on line 7—7 of FIG. 1;

FIG. 8 is a fragmentary cross sectional view taken on line 8—8 of FIG. 1;

FIG. 9 is an enlarged fragmentary cross sectional view taken on line 9—9 of FIG. 1;

FIG. 10 is a fragmentary cross sectional perspective view of the inside corner of the tray as shown in FIG. 1;

FIG. 11 is a fragmentary cross sectional perspective view of the outside corner of the tray as shown in FIG. 1, the broken line showing of the trays being nested is for illustrative purposes only and forms no part of the claimed design;

FIG. 12 is a fragmentary cross sectional view taken on line 12—12 of FIG. 1; and,

FIG. 13 is a fragmentary cross sectional view taken on line 13—13 of FIG. 5.

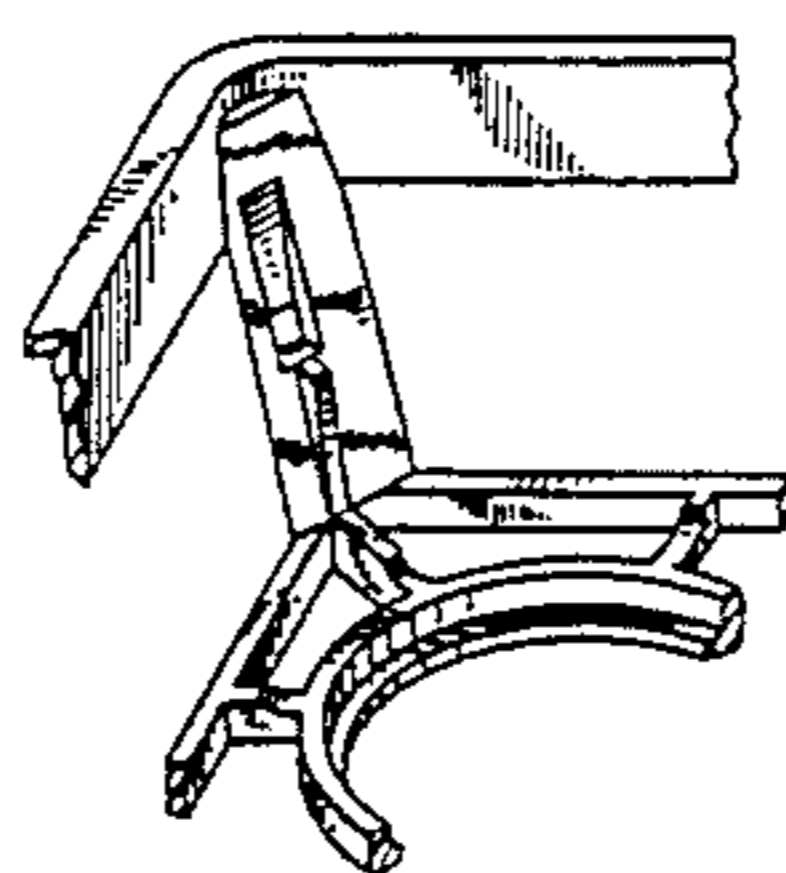
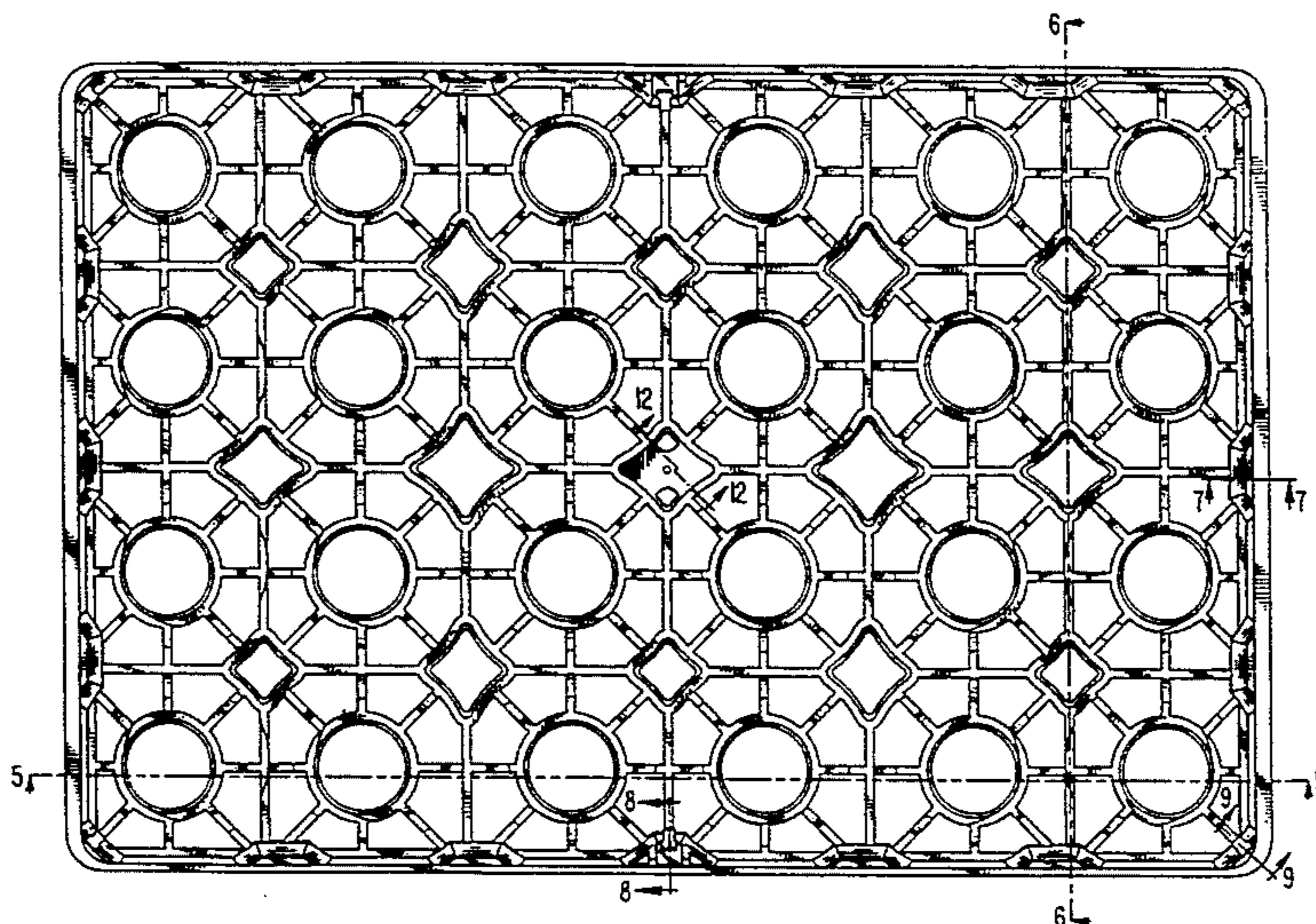


FIG. 1

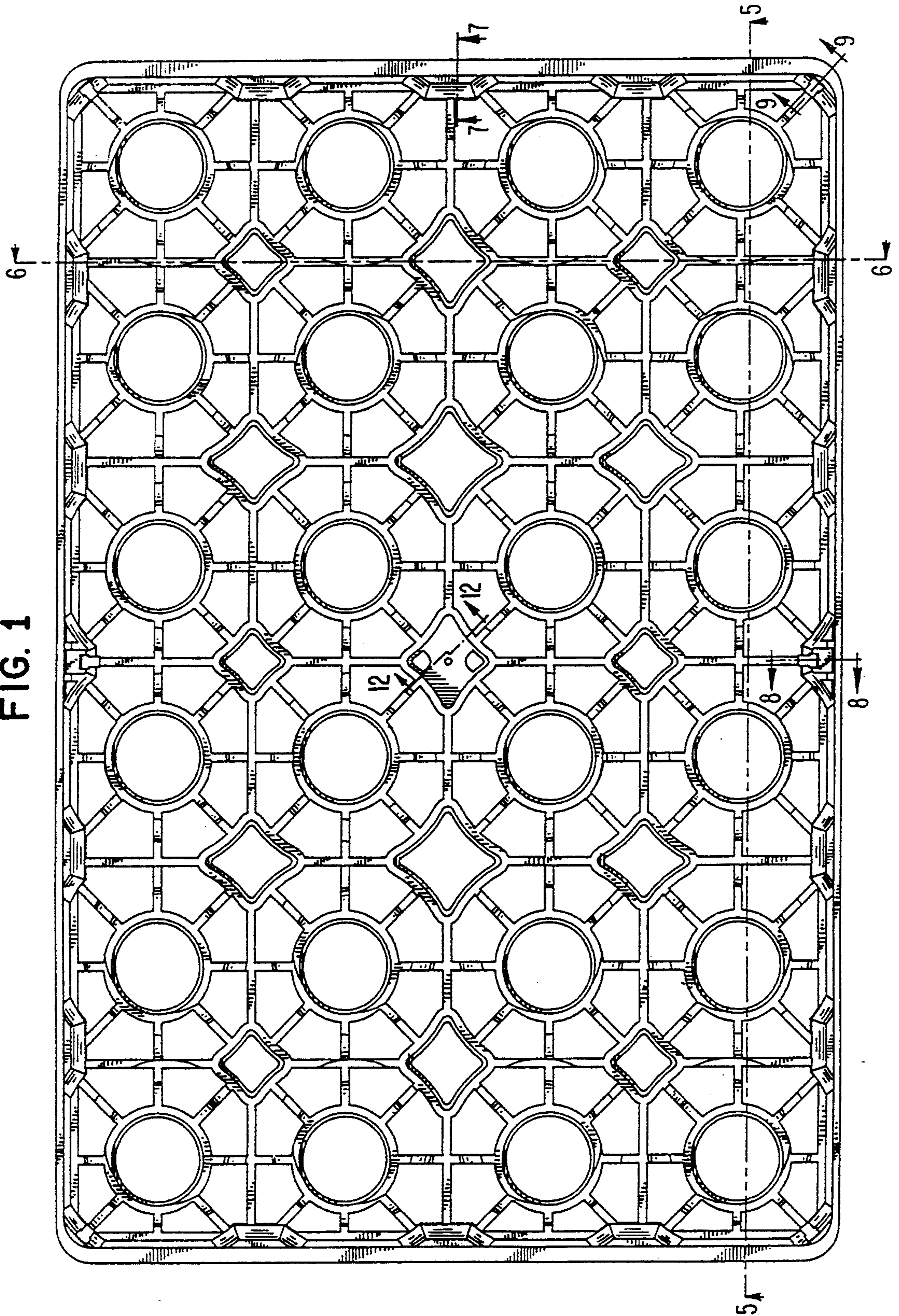


FIG. 2

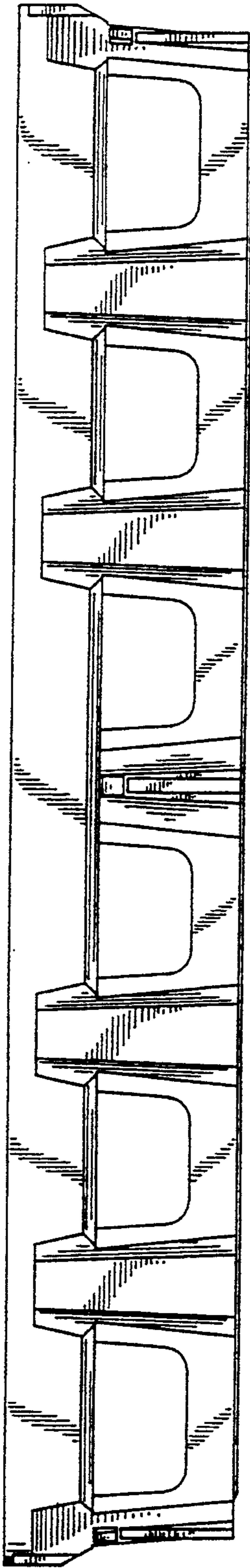


FIG. 3

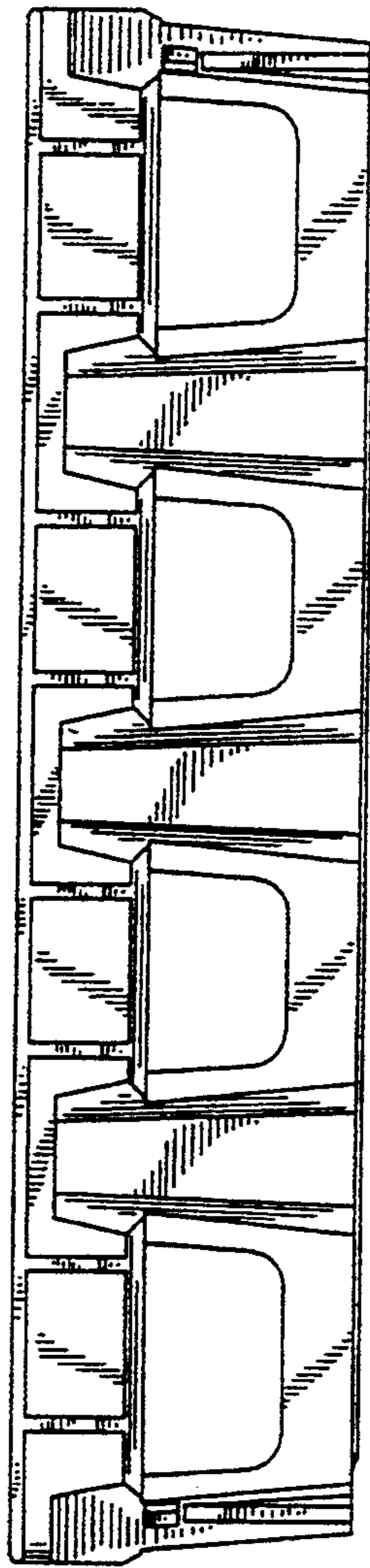


FIG. 5

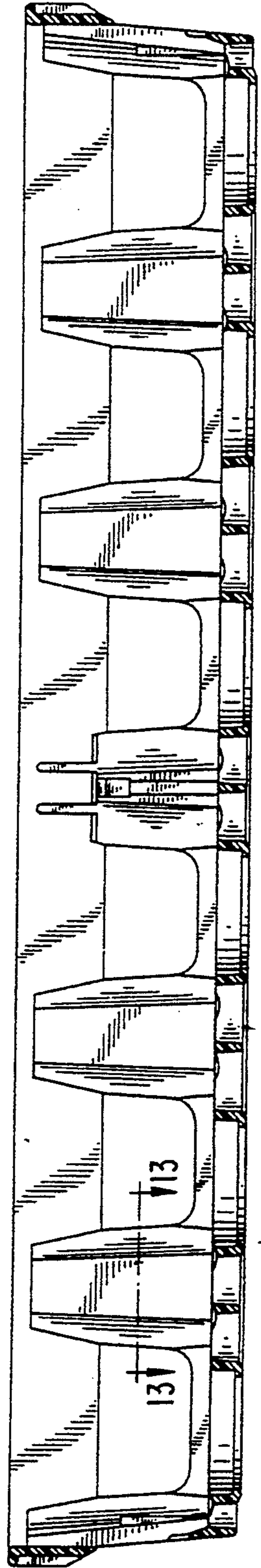


FIG. 4

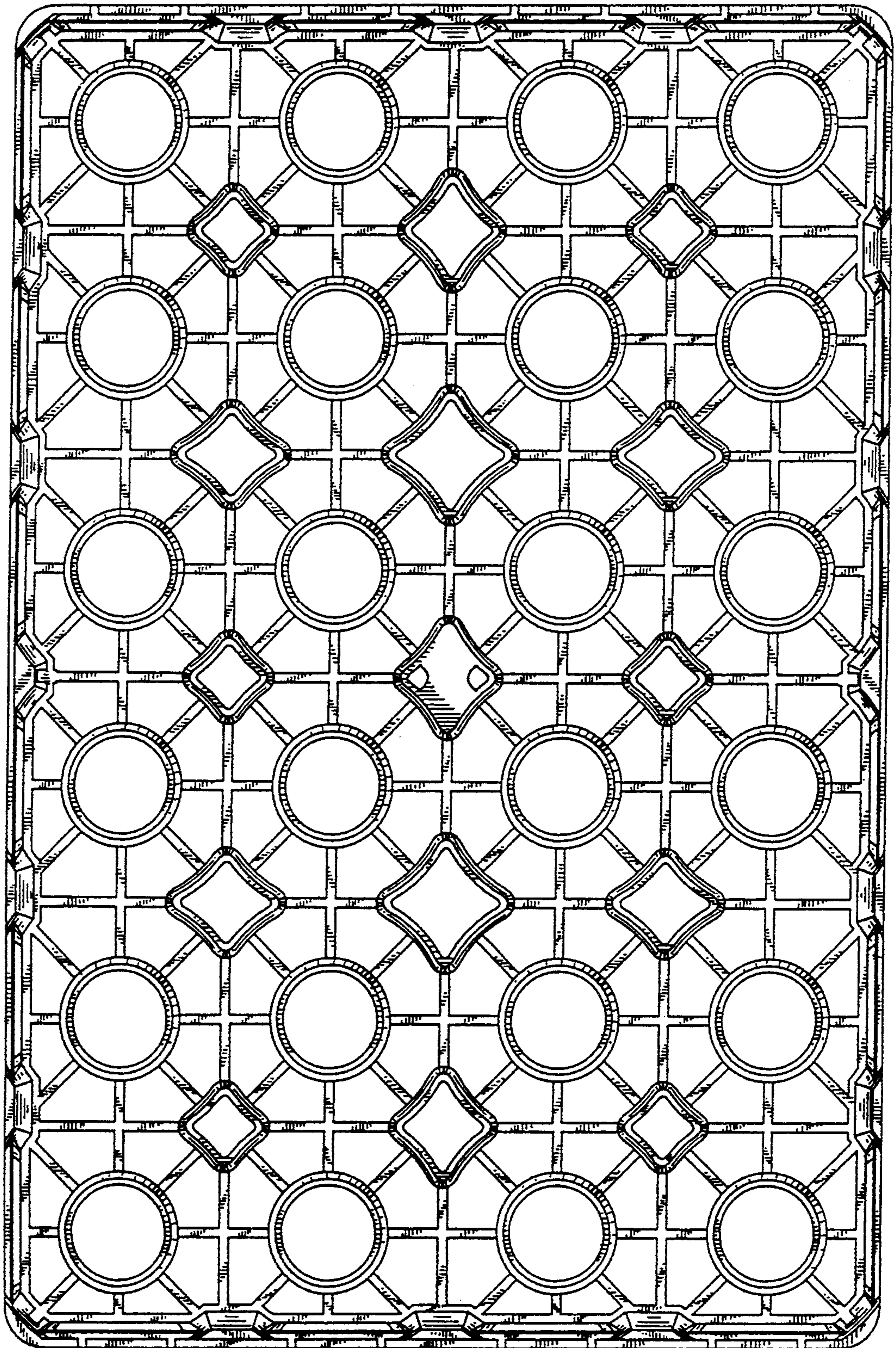


FIG. 6

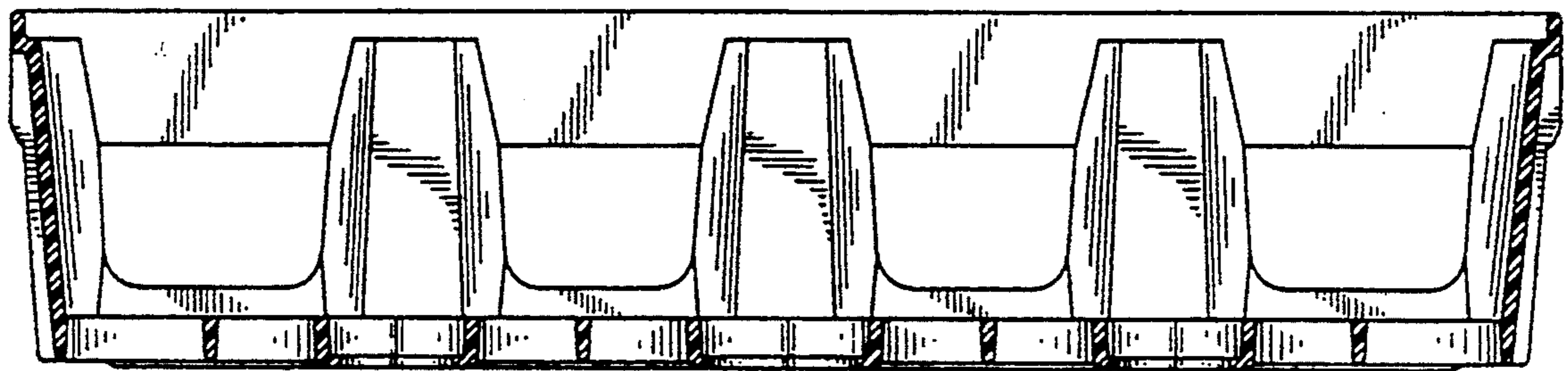


FIG. 7



FIG. 8

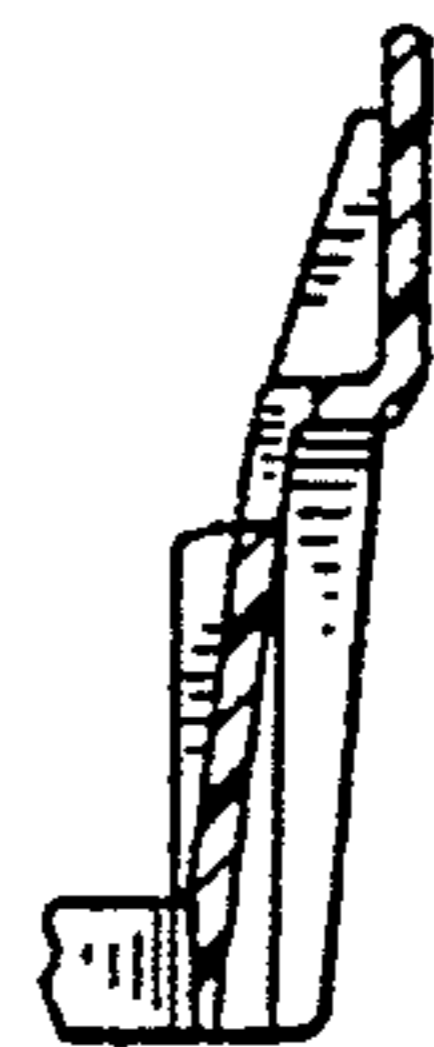


FIG. 9



FIG. 10

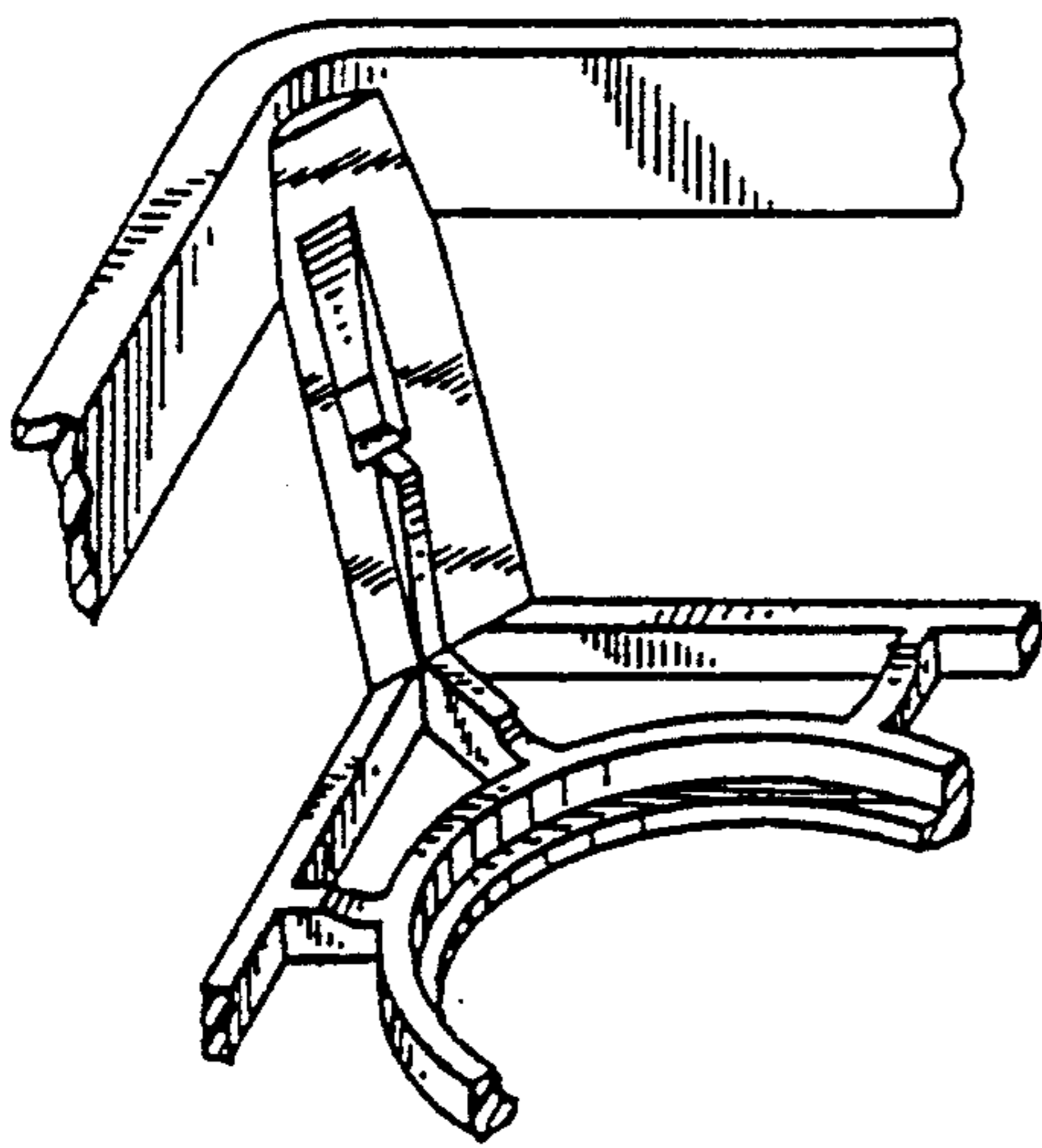


FIG. 11

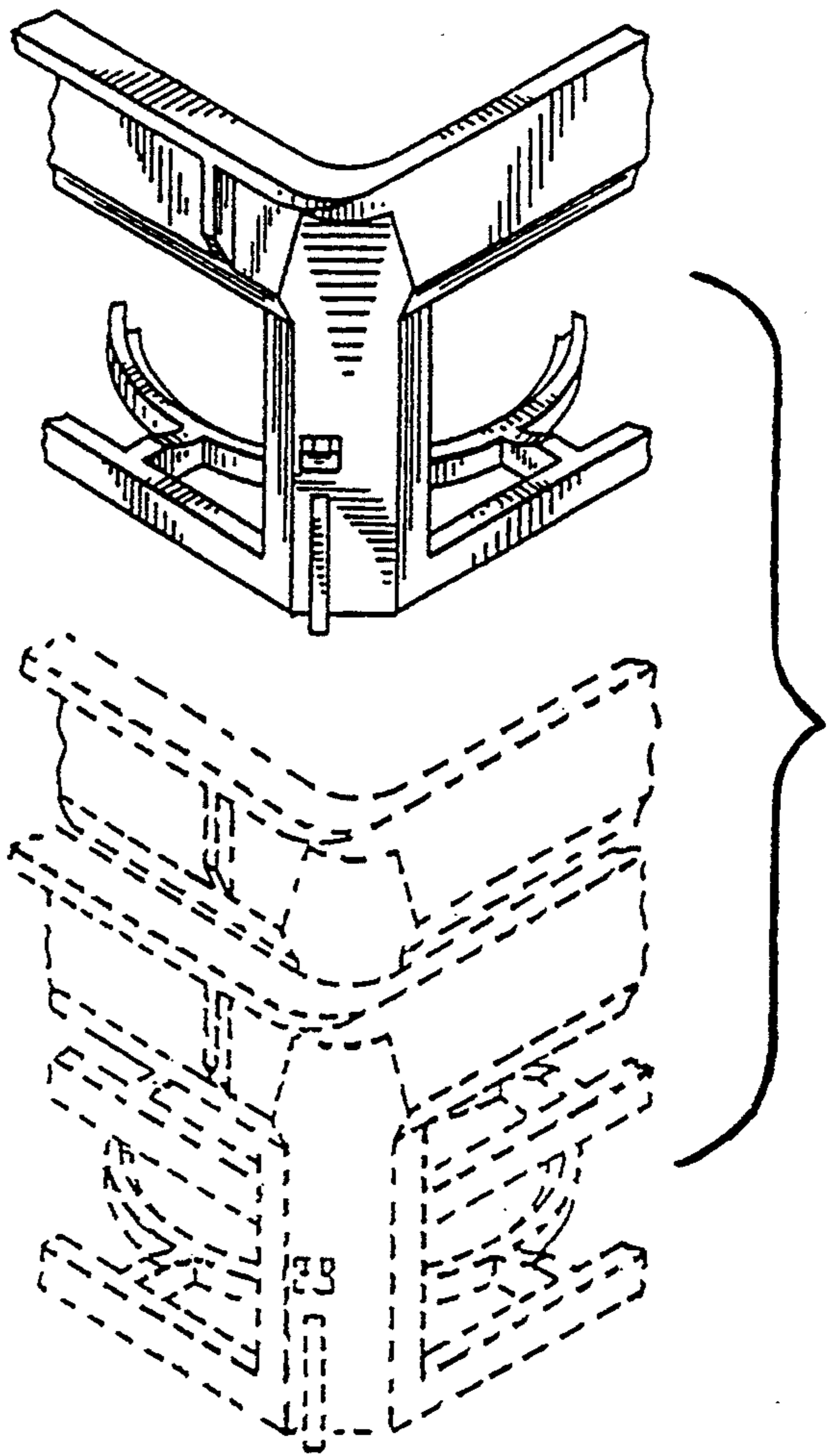


FIG. 12



FIG. 13

