



US00D355763S

United States Patent [19]

[11] Patent Number: Des. 355,763

Sun

[45] Date of Patent: ** Feb. 28, 1995

[54] TOY BOX

[56] References Cited

[75] Inventor: **Jin Ran Sun**, No. 64, Lane 55, Chung Yi Road, Tu Cheng Hsiang, Taipei Hsien, Taiwan, Prov. of China

U.S. PATENT DOCUMENTS

D. 249,590 9/1978 Beckman D3/284 X
D. 313,502 1/1991 Vasky D3/284
D. 338,238 8/1993 Aaldenberg D3/291 X
2,646,808 7/1953 Yenne 220/500 X

[73] Assignee: **Youfo Kou Chao Industrial Co., Ltd.**, Taipei Hsien, Taiwan, Prov. of China

Primary Examiner—Theodore M. Shooman
Assistant Examiner—Dominic Simone
Attorney, Agent, or Firm—Pro-Techtor International

[**] Term: 14 Years

[57] CLAIM

The ornamental design for a toy box, as shown.

[21] Appl. No.: 14,872

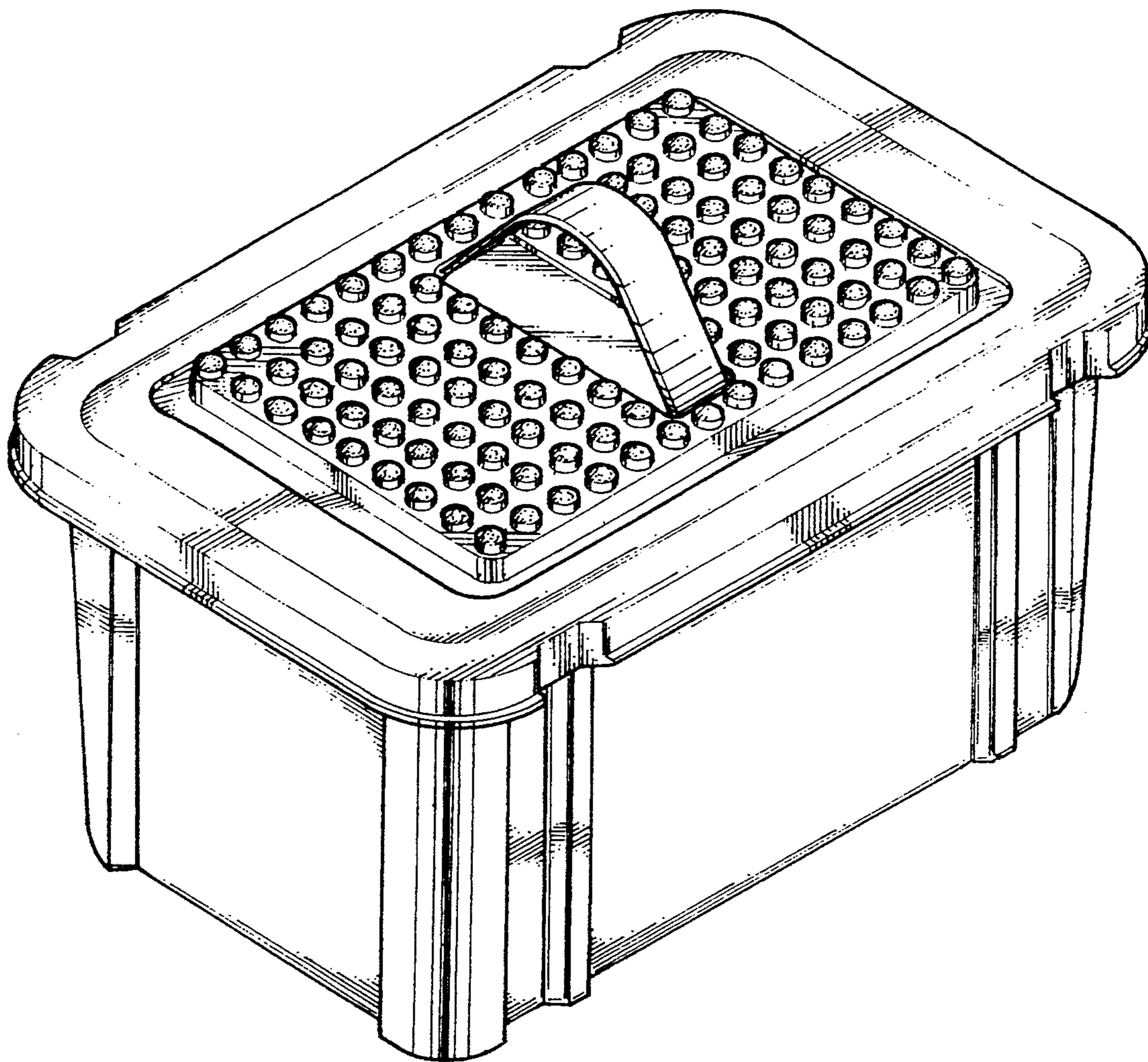
DESCRIPTION

[22] Filed: Nov. 1, 1993

[52] U.S. Cl. D3/291; D3/276; D3/901

FIG. 1 is a left side elevational view of a toy box showing my new design;
FIG. 2 is a front elevational view thereof;
FIG. 3 is a right side elevational view thereof;
FIG. 4 is a rear elevational view thereof;
FIG. 5 is a top plan view thereof;
FIG. 6 is a bottom plan view thereof; and,
FIG. 7 is a front, left perspective view thereof.

[58] Field of Search D3/273, 276, 282, 291, D3/294, 901; 190/100, 115



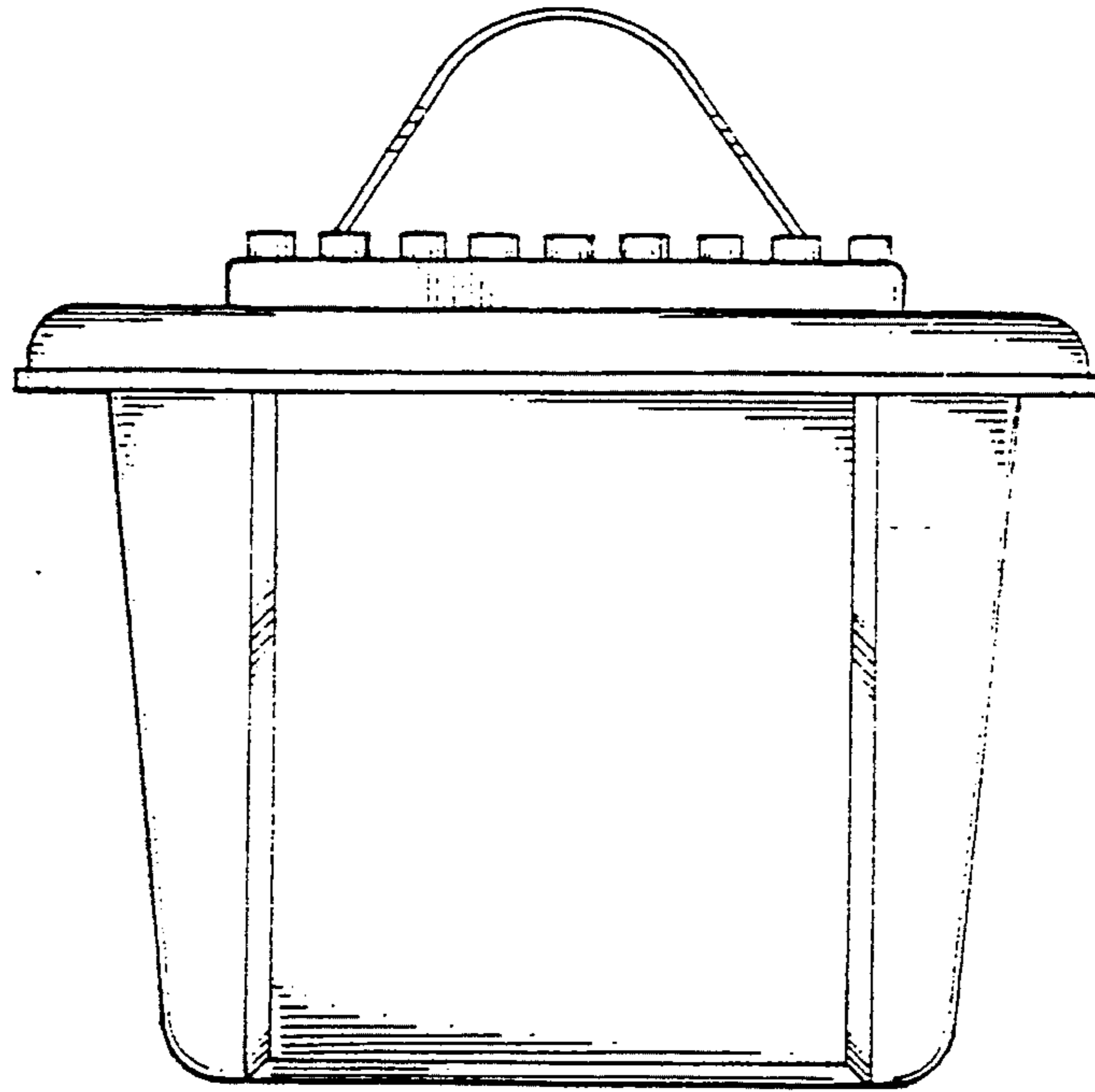


FIG. 1

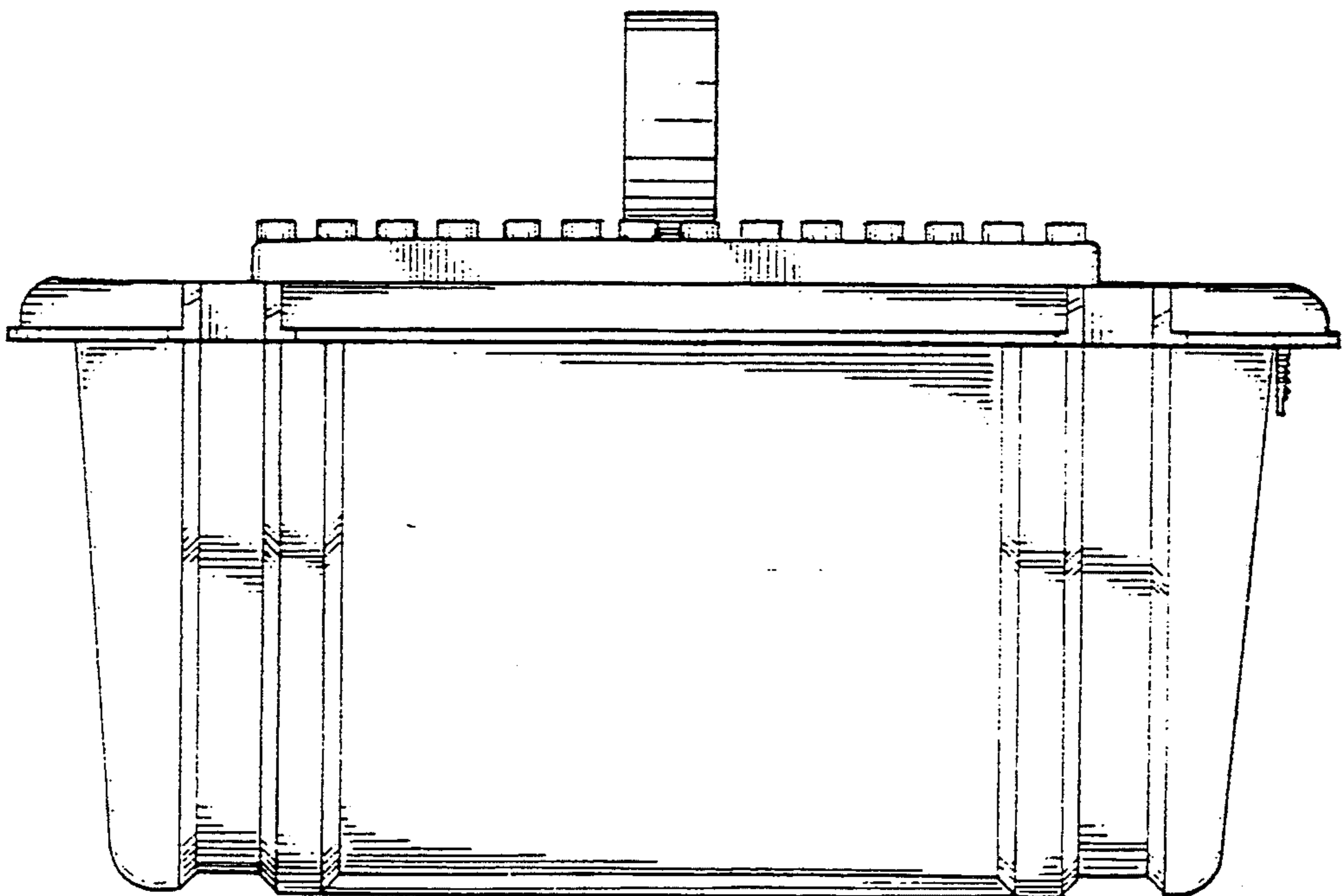


FIG. 2

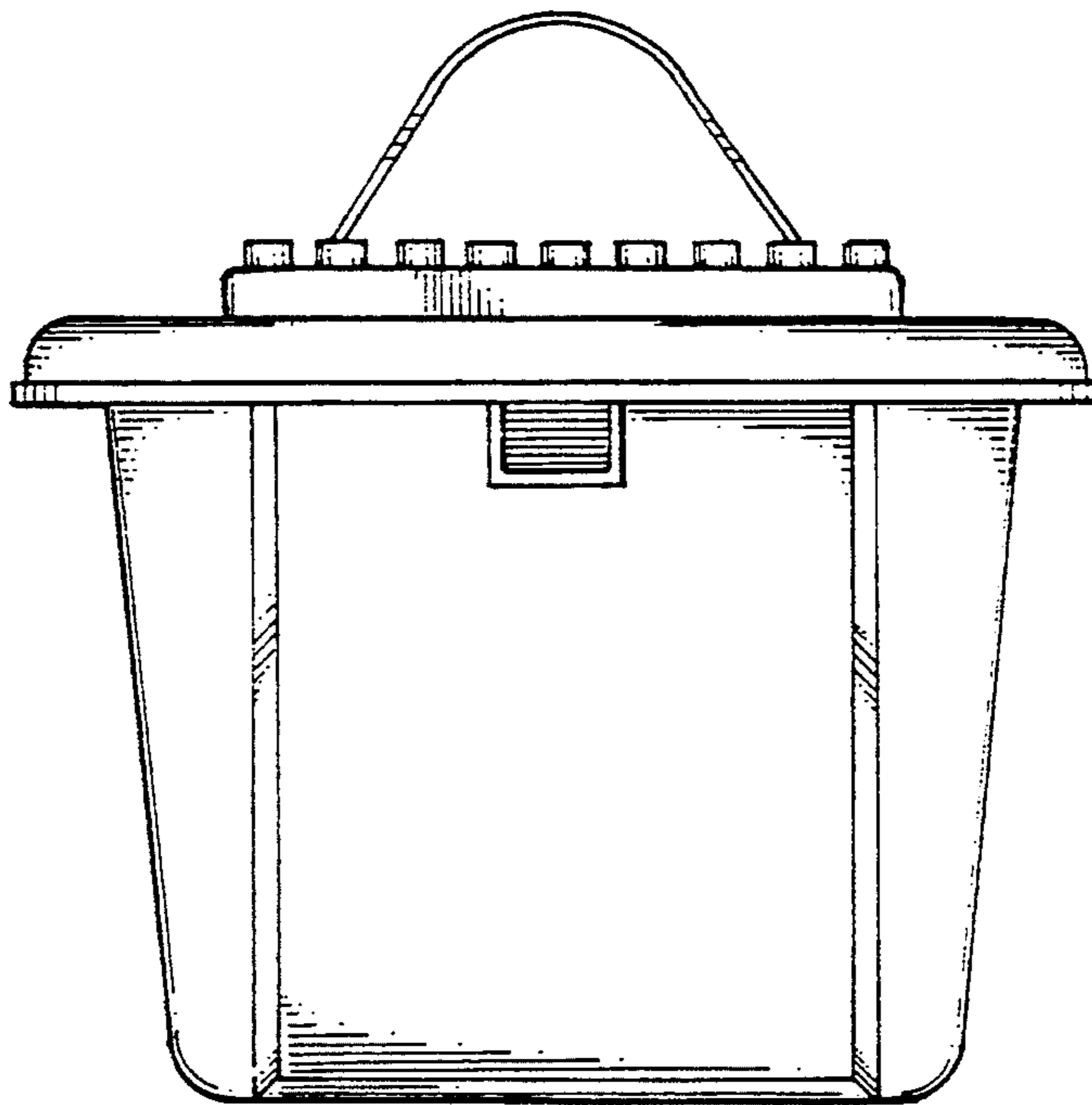


FIG. 3

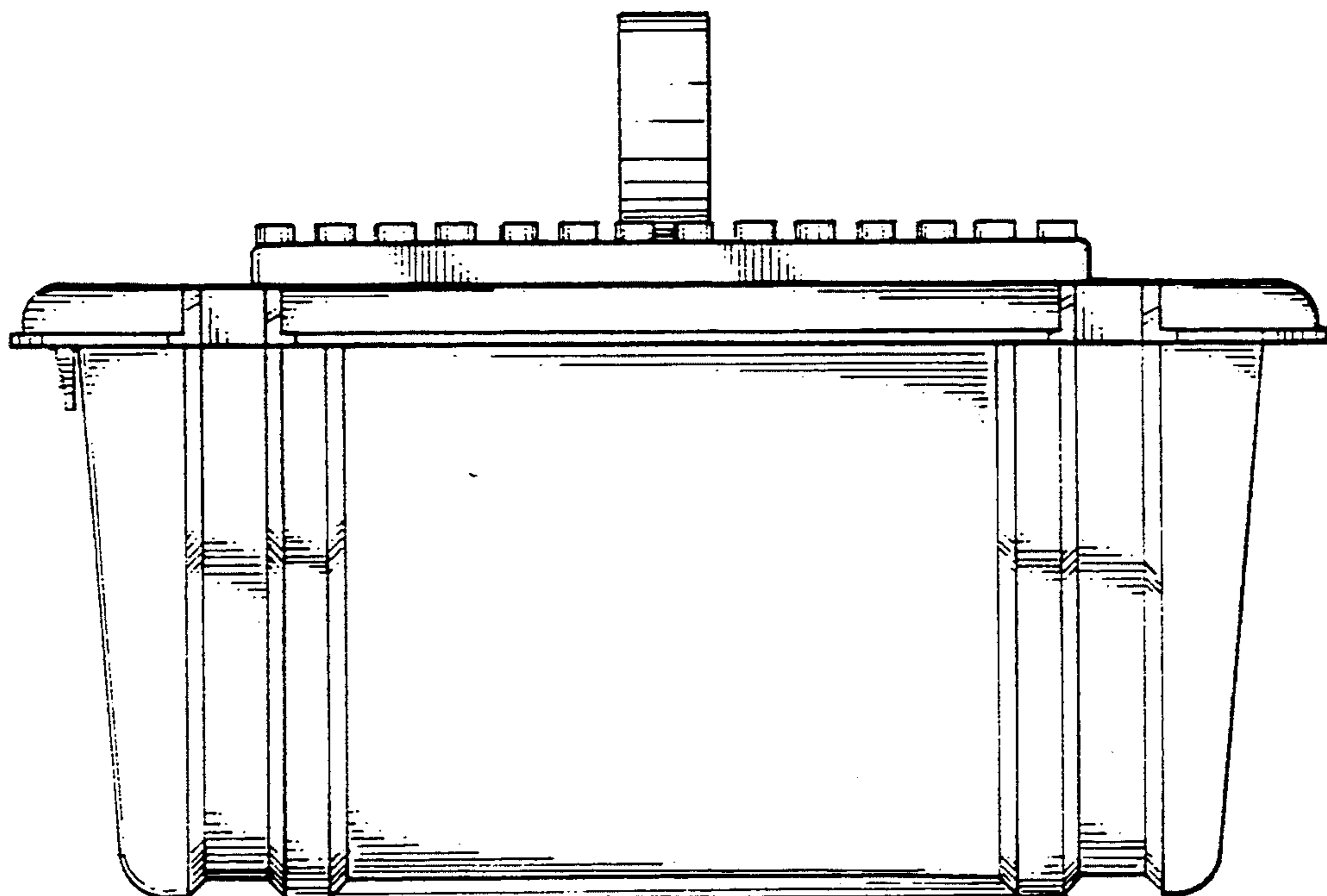


FIG. 4

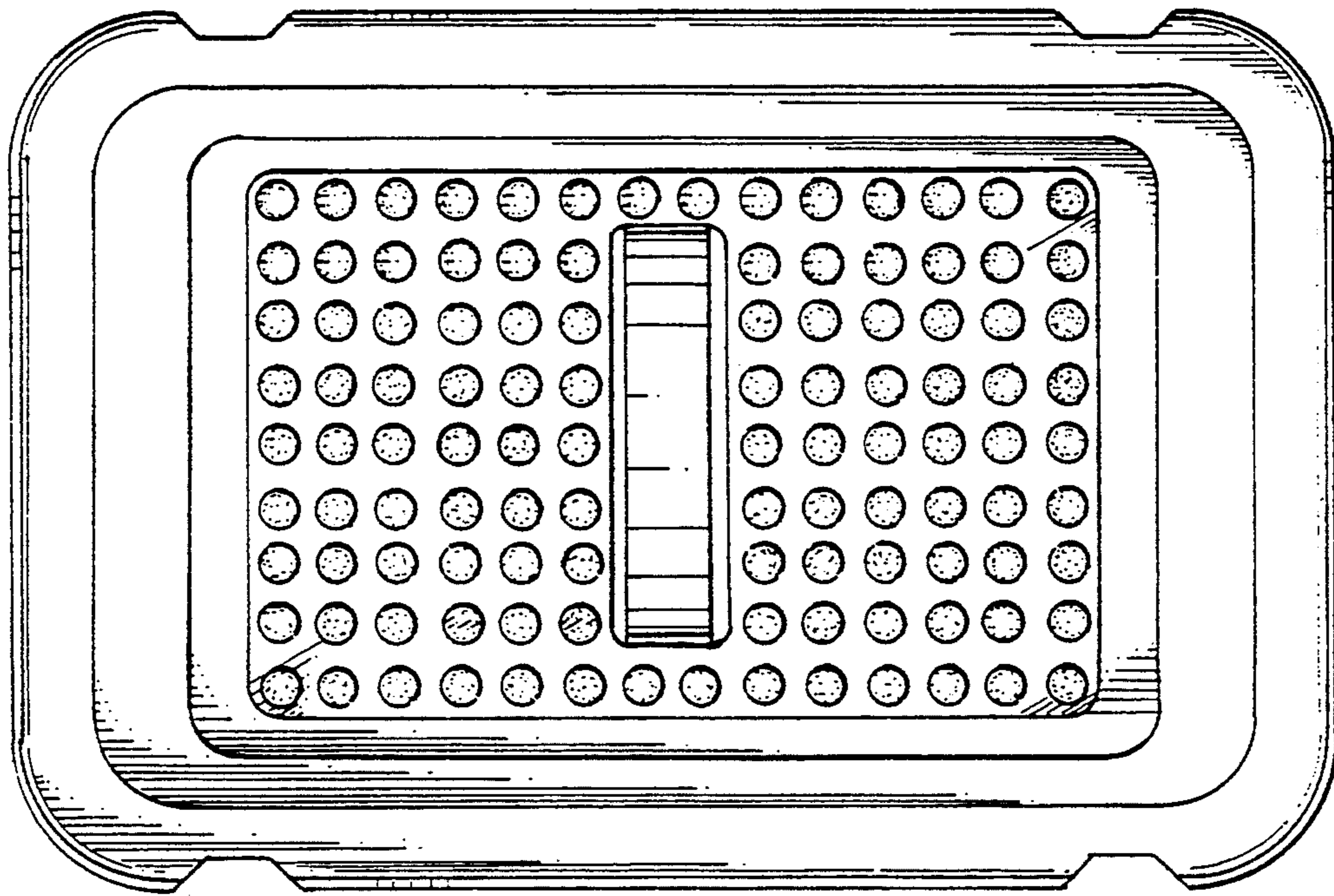


FIG. 5

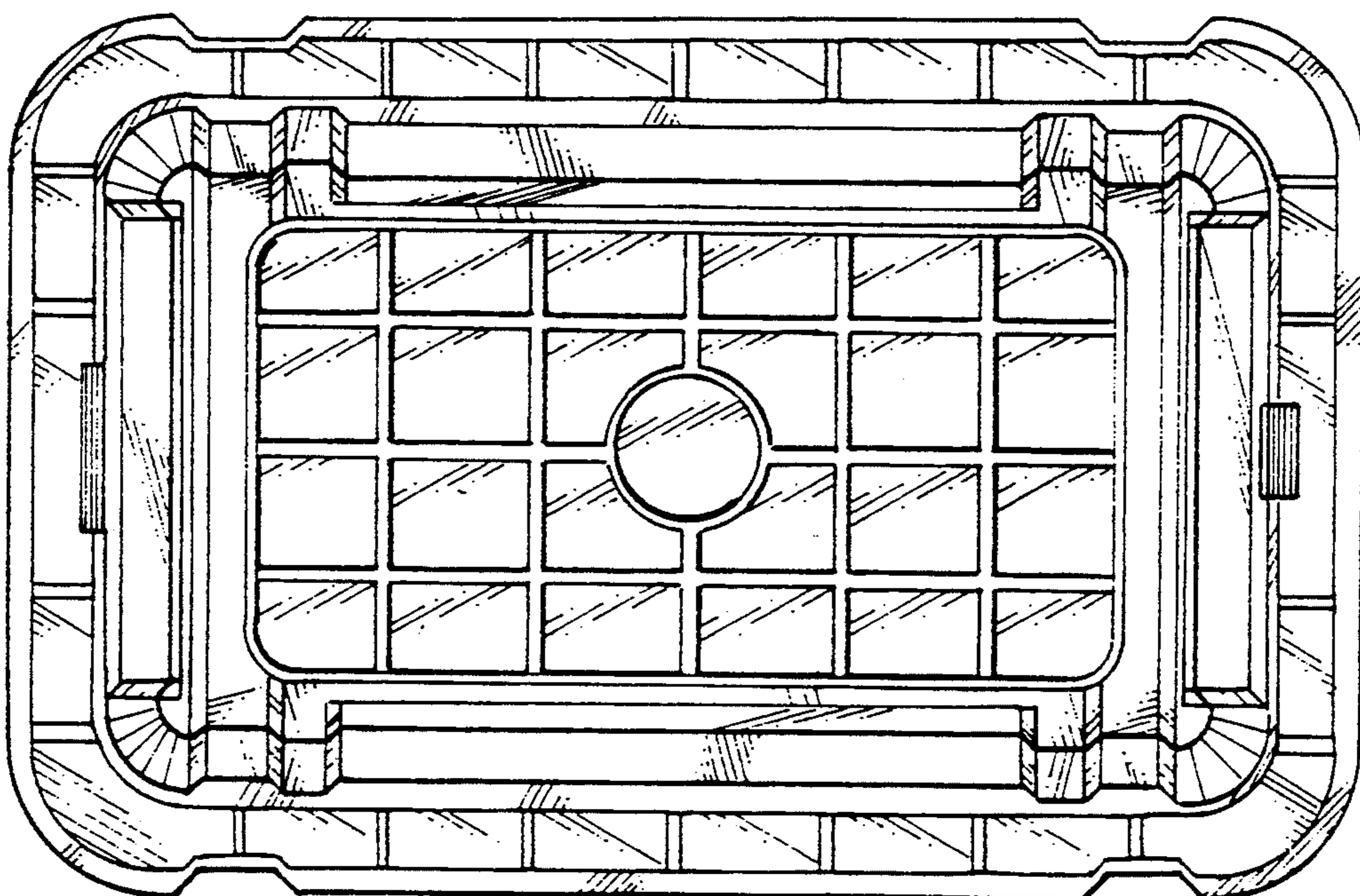


FIG. 6

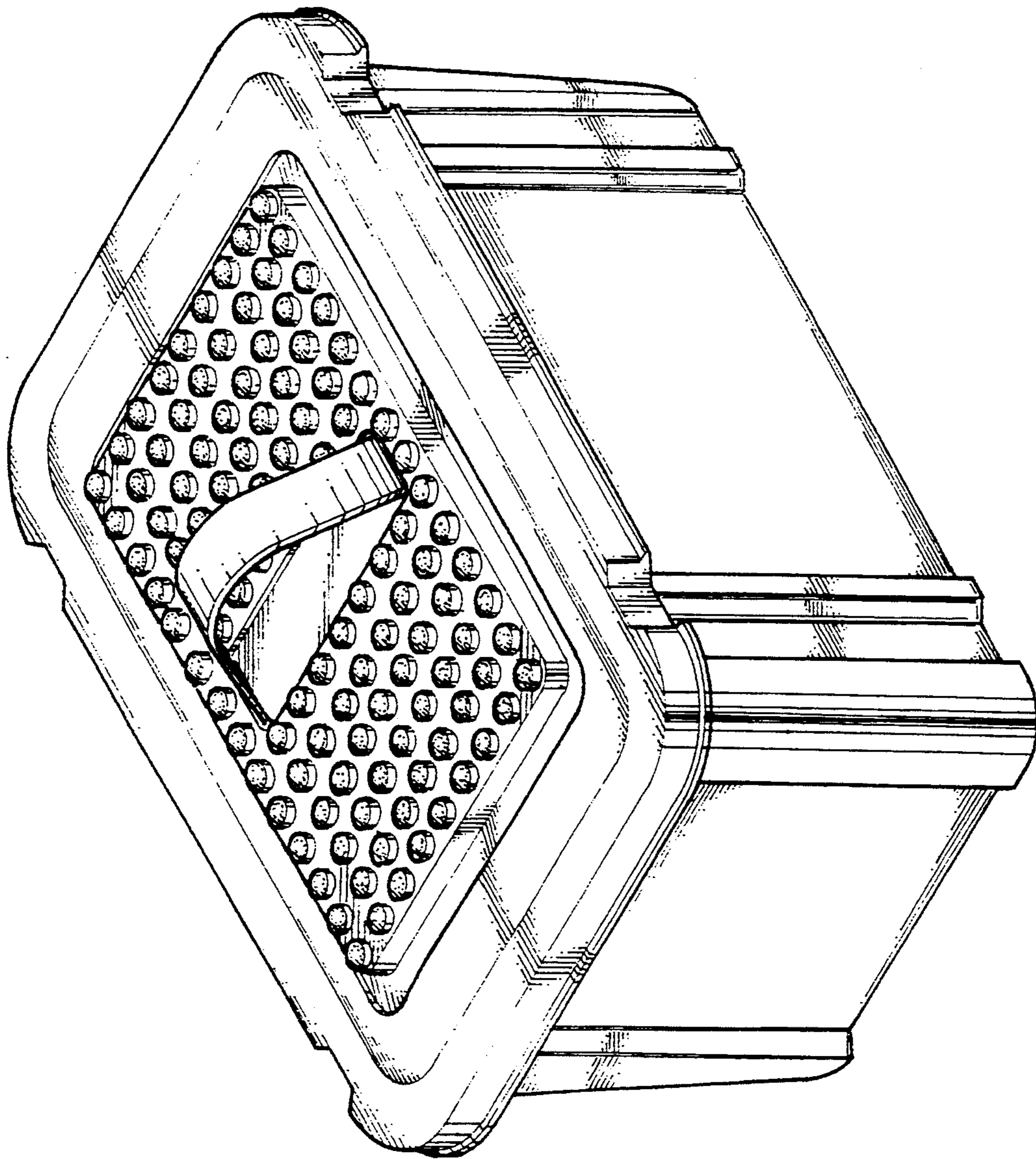


FIG.7