



US00D355745S

**United States Patent** [19]  
**Greene**

[11] **Patent Number: Des. 355,745**  
[45] **Date of Patent: \*\* Feb. 21, 1995**

[54] **PATIO CART**

[75] **Inventor: Michael W. Greene, Incline Village, Nev.**

[73] **Assignee: Resinform, Incline Village, Nev.**

[\*\*] **Term: 14 Years**

[21] **Appl. No.: 18,577**

[22] **Filed: Feb. 9, 1994**

[52] **U.S. Cl. .... D34/24; D34/12**

[58] **Field of Search ..... D34/12, 24, 25, 26; 280/47.19, 47.26, 47.35, 654, 652**

[56] **References Cited**

**U.S. PATENT DOCUMENTS**

2,855,210 10/1950 Joyce ..... 80/47.19  
3,074,734 1/1963 Munson et al. .... 280/47.35  
5,192,092 3/1993 DiBenedetto ..... 280/47.19

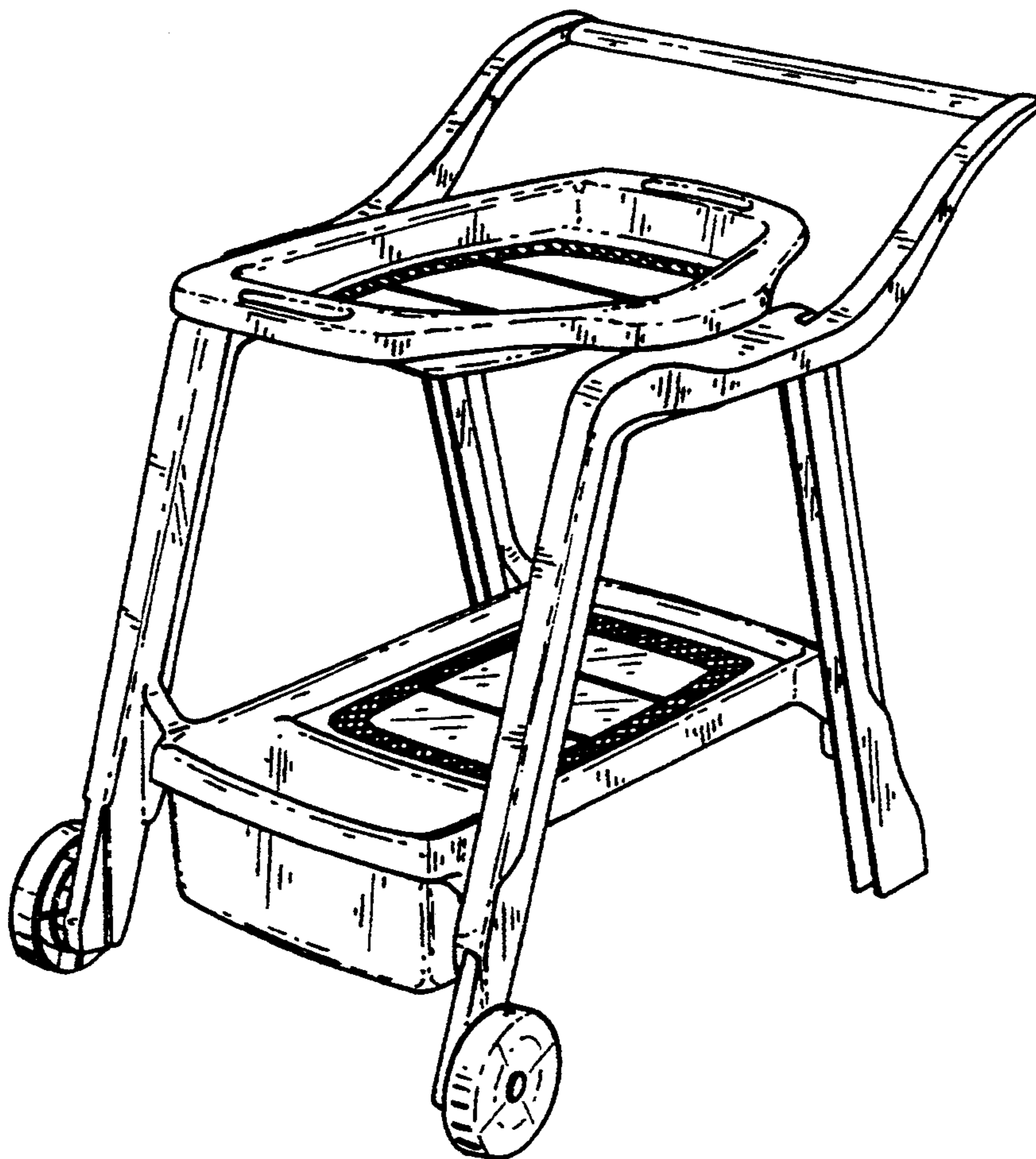
*Primary Examiner*—Kay H. Chin  
*Attorney, Agent, or Firm*—Hovey, Williams, Timmons & Collins

[57] **CLAIM**

The ornamental design for a patio cart, as shown and described.

**DESCRIPTION**

FIG. 1 is a front perspective view; FIG. 2 is a rear perspective view; and, FIG. 3 is a bottom perspective view showing the patio cart tilted to disclose the appearance of the bottom thereof.



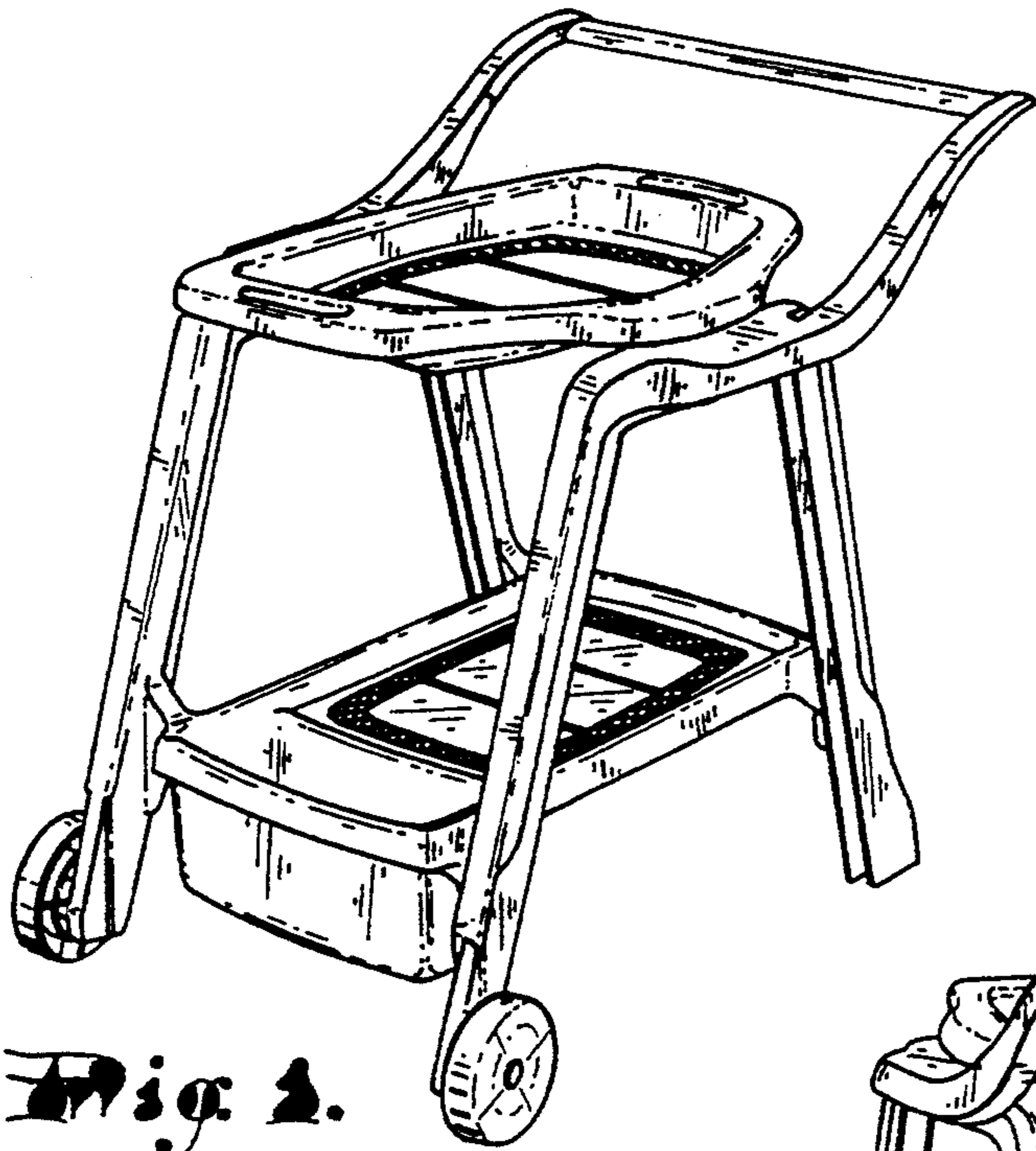


Fig. 1.

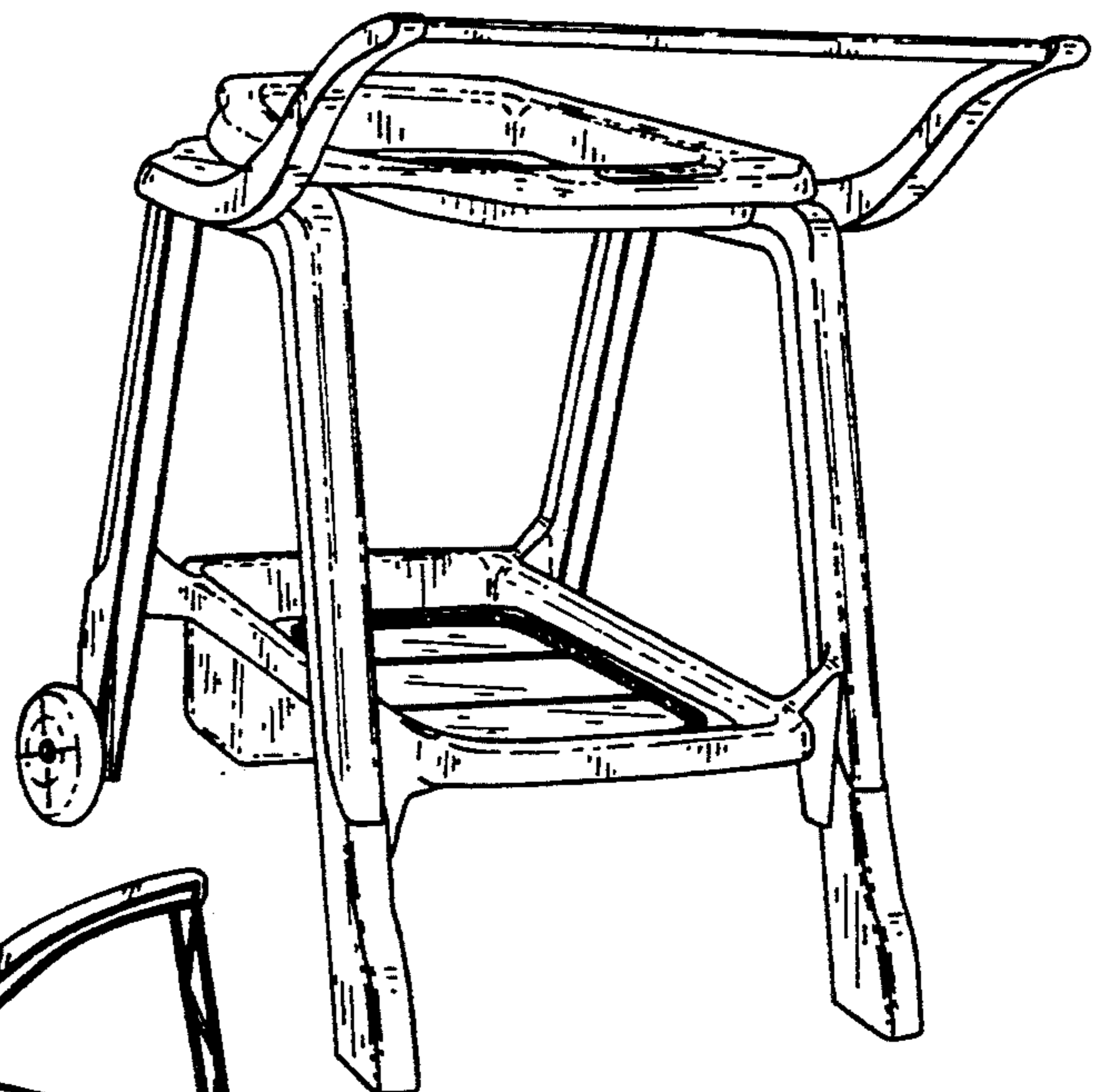


Fig. 2.

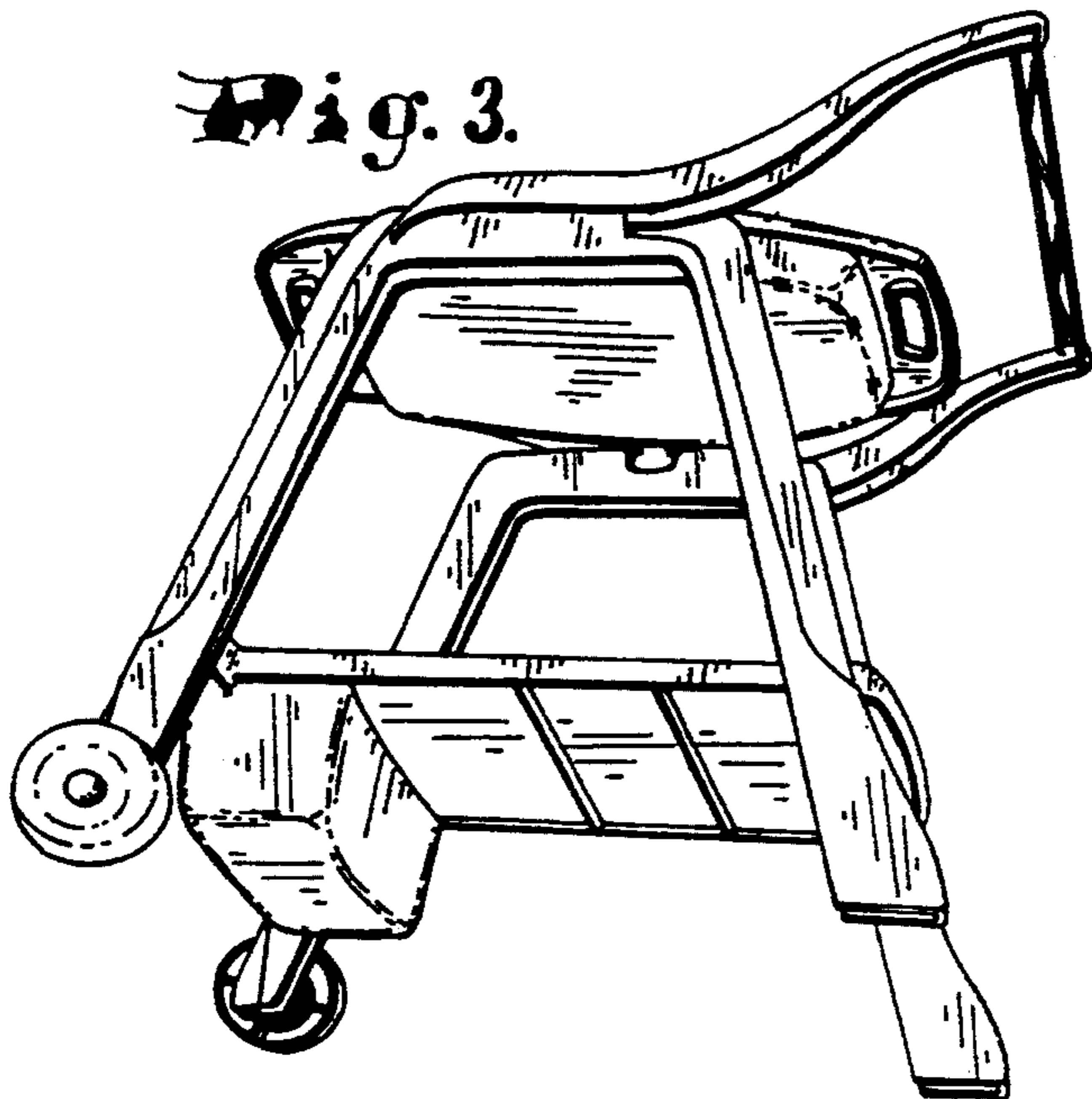


Fig. 3.