



US00D355744S

# United States Patent [19]

[11] Patent Number: **Des. 355,744**

**Licari**

[45] Date of Patent: **\*\* Feb. 21, 1995**

[54] **LIDDED WASTEBASKET**

4,789,078 12/1988 Miller et al. .... 220/908  
4,972,966 11/1990 Craft ..... 220/335

[76] Inventor: **Yaffa Licari**, 875 Ocean Ave.,  
Elberon, N.J. 07740

*Primary Examiner*—Wallace R. Burke  
*Assistant Examiner*—Robin V. Taylor  
*Attorney, Agent, or Firm*—Morton Chirnomas

[\*\*] Term: **14 Years**

[21] Appl. No.: **18,965**

[57] **CLAIM**

[22] Filed: **Feb. 18, 1994**

The ornamental design for lidded wastebasket, as shown and described.

[52] U.S. Cl. .... **D34/7; D34/1**

[58] Field of Search ..... **D34/1, 5-9,  
D34/11; D32/37; 220/675, 908-911, DIG. 12,  
DIG. 14, 500, 553, 555; 232/43.2**

**DESCRIPTION**

[56] **References Cited**

**U.S. PATENT DOCUMENTS**

D. 215,617 10/1969 Heck ..... D34/7  
D. 265,261 6/1982 Gerber ..... D34/1  
D. 312,522 11/1990 Brosius ..... D34/7  
4,753,367 6/1988 Miller et al. .... D34/1  
4,765,579 8/1988 Robbins et al. .... 220/908

FIG. 1 is a perspective view, taken from the top and front, right side, showing the lidded wastebasket of my new design;

FIG. 2 is a front elevational view of the lidded wastebasket shown in FIG. 1;

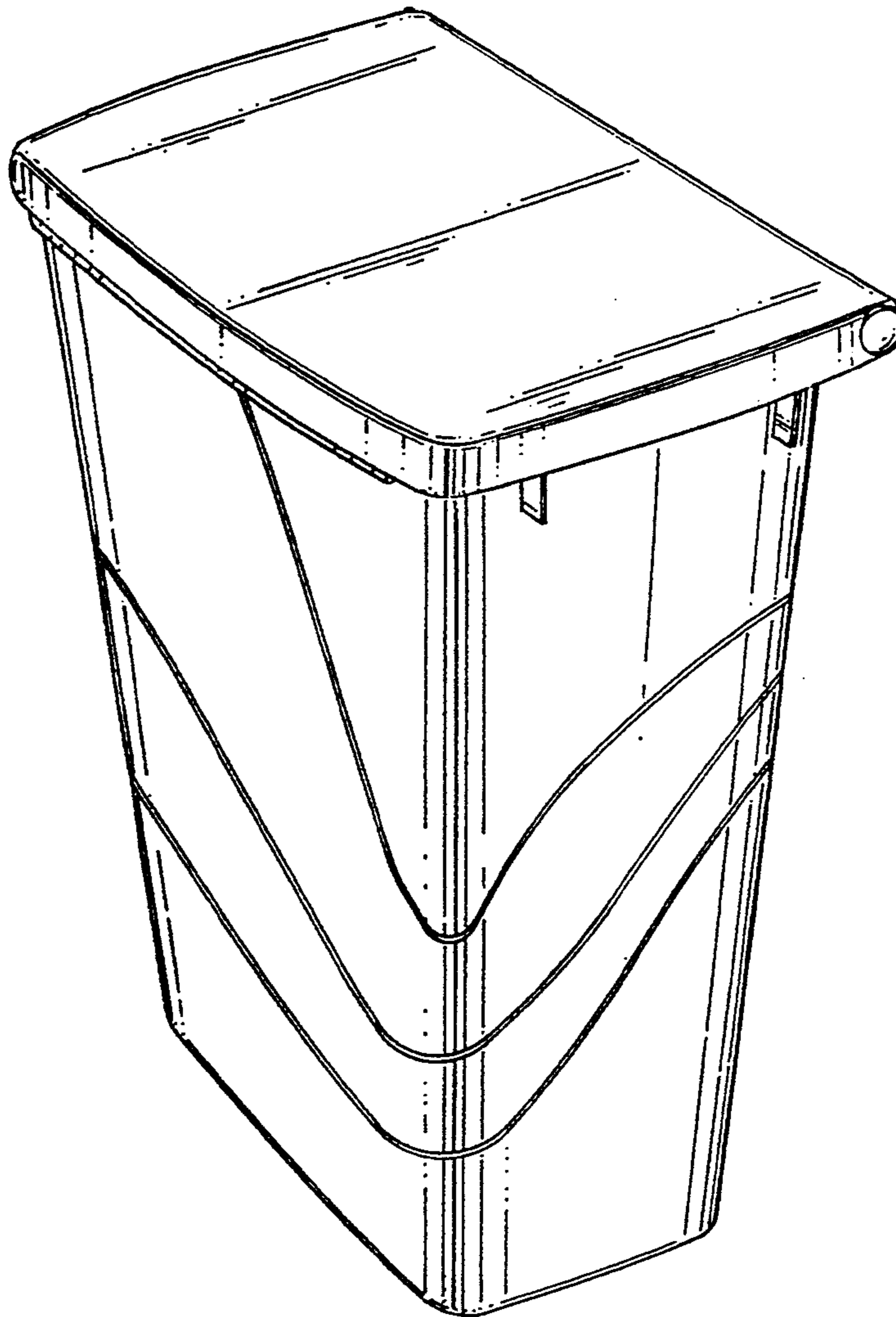
FIG. 3 is a rear elevational view thereof;

FIG. 4 is a right side elevational view thereof;

FIG. 5 is a left side elevational view thereof;

FIG. 6 is a top plan view thereof; and,

FIG. 7 is a bottom plan view thereof.



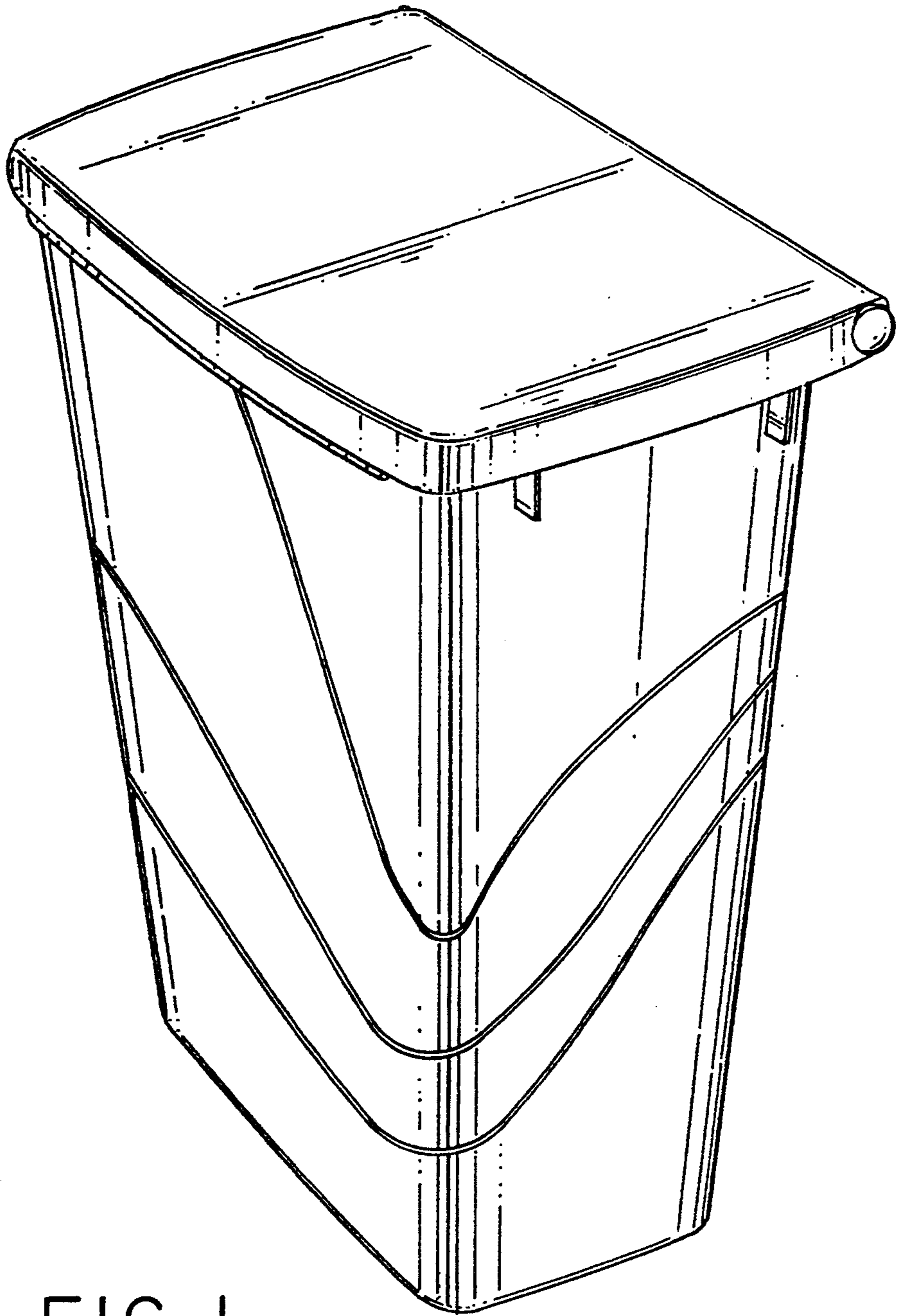


FIG. 1

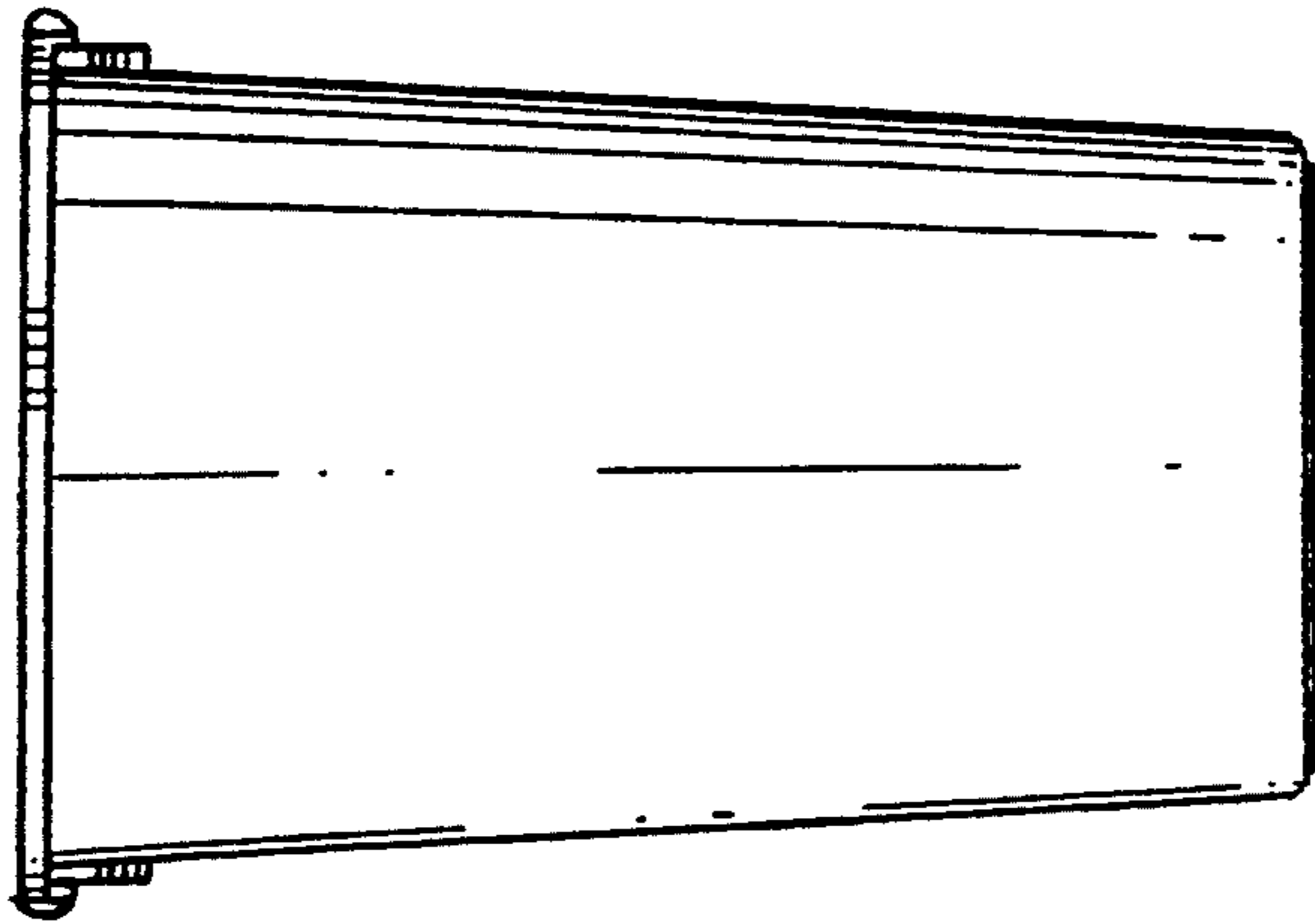


FIG. 3

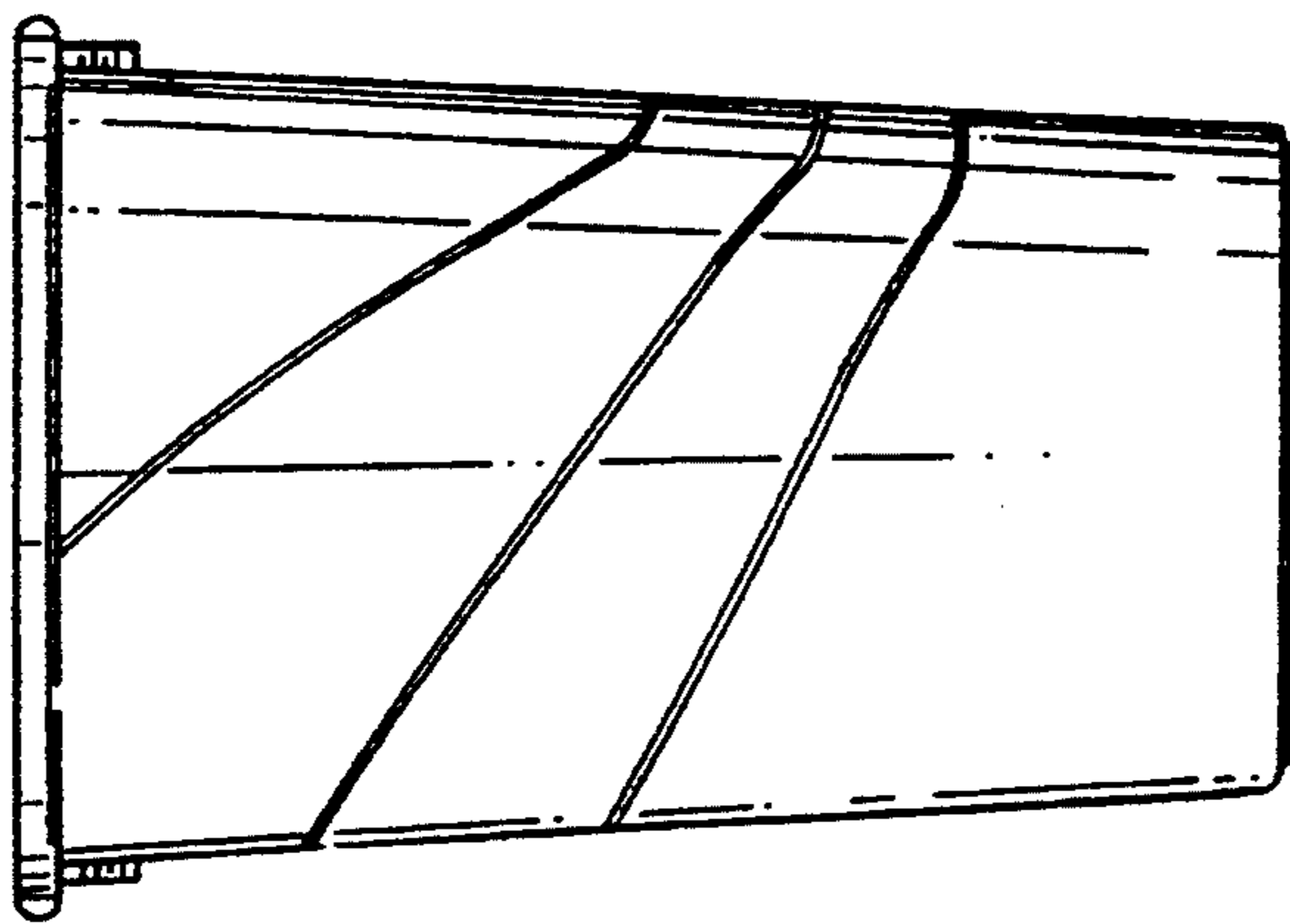


FIG. 2

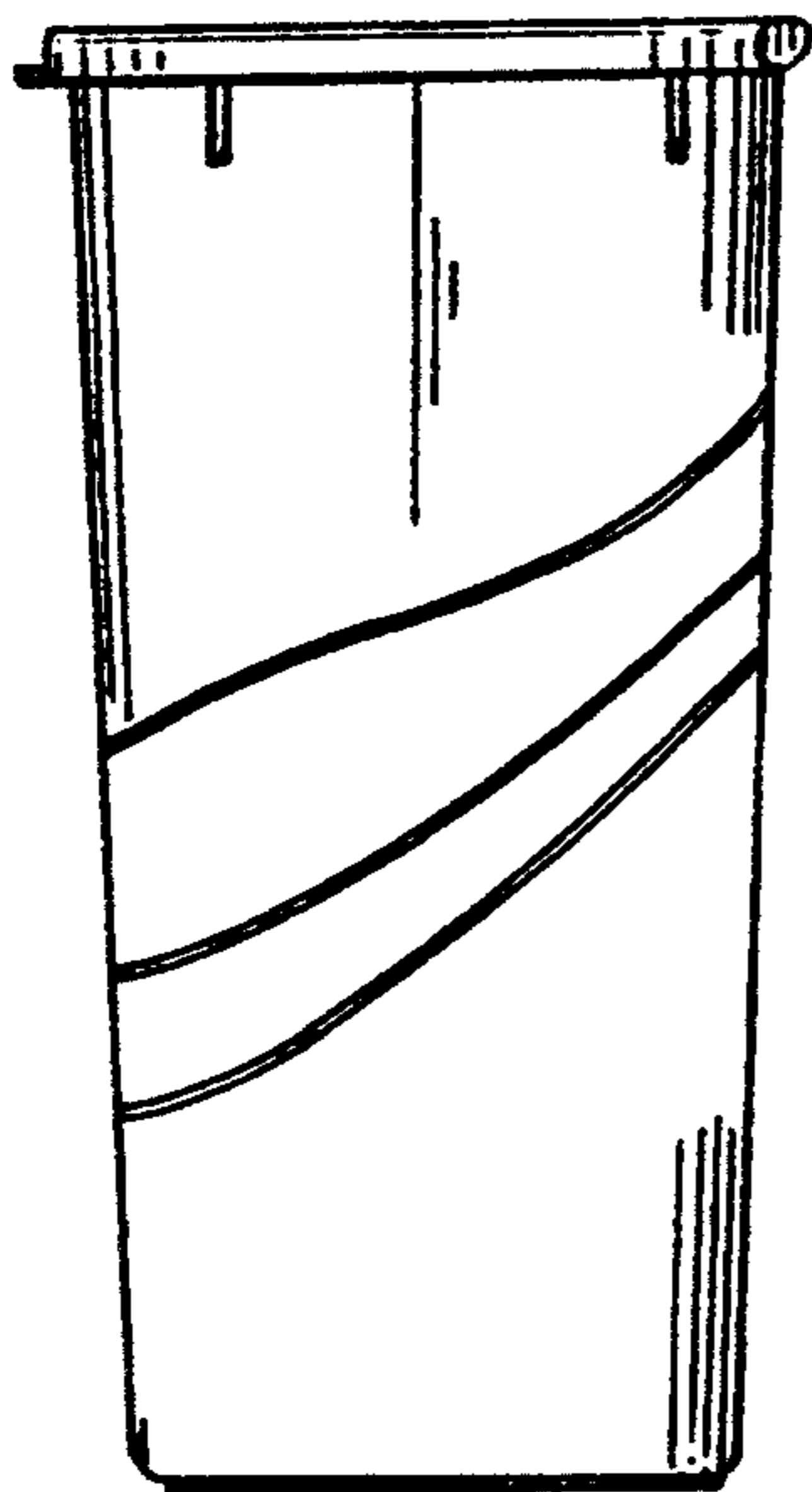


FIG. 4

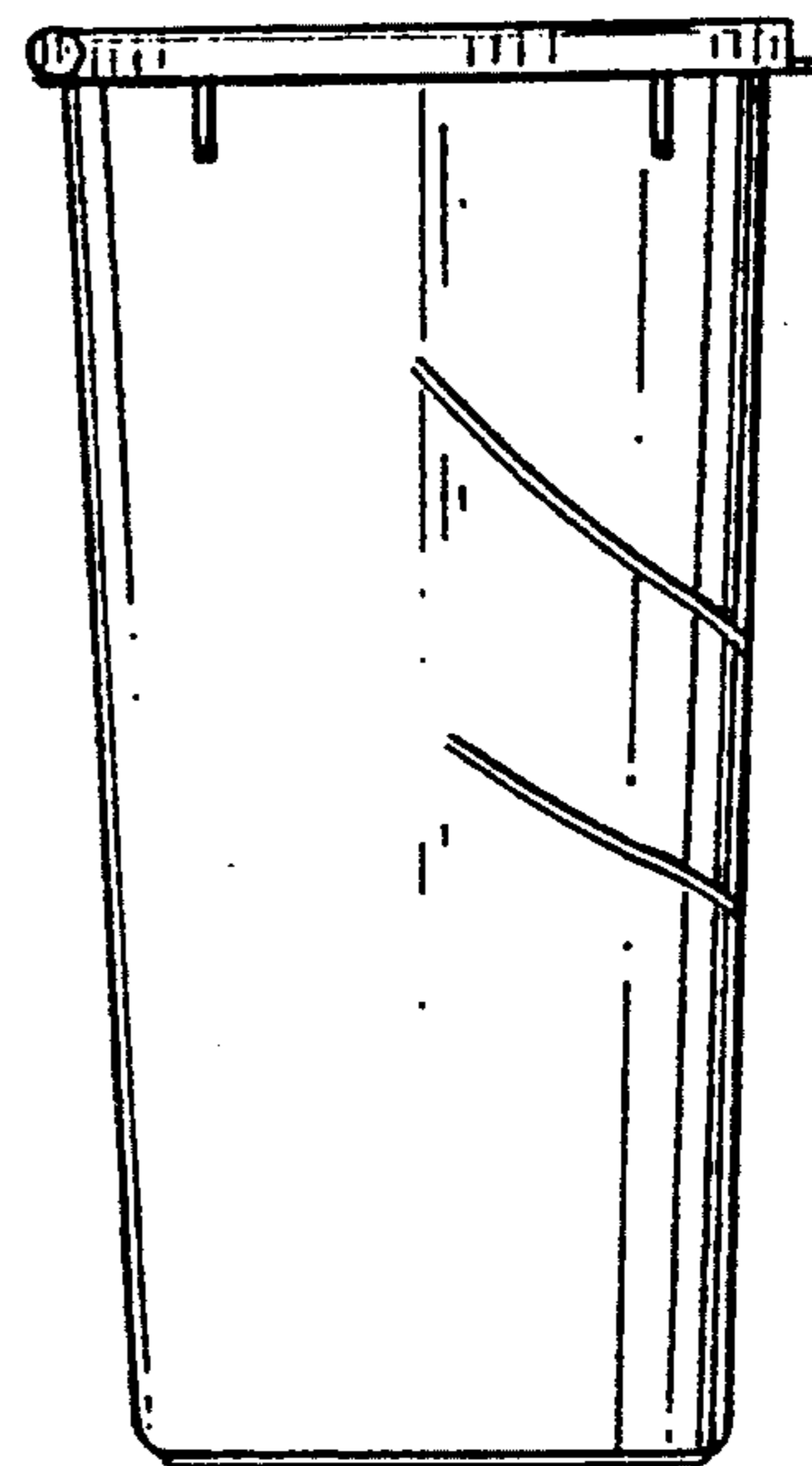


FIG. 5

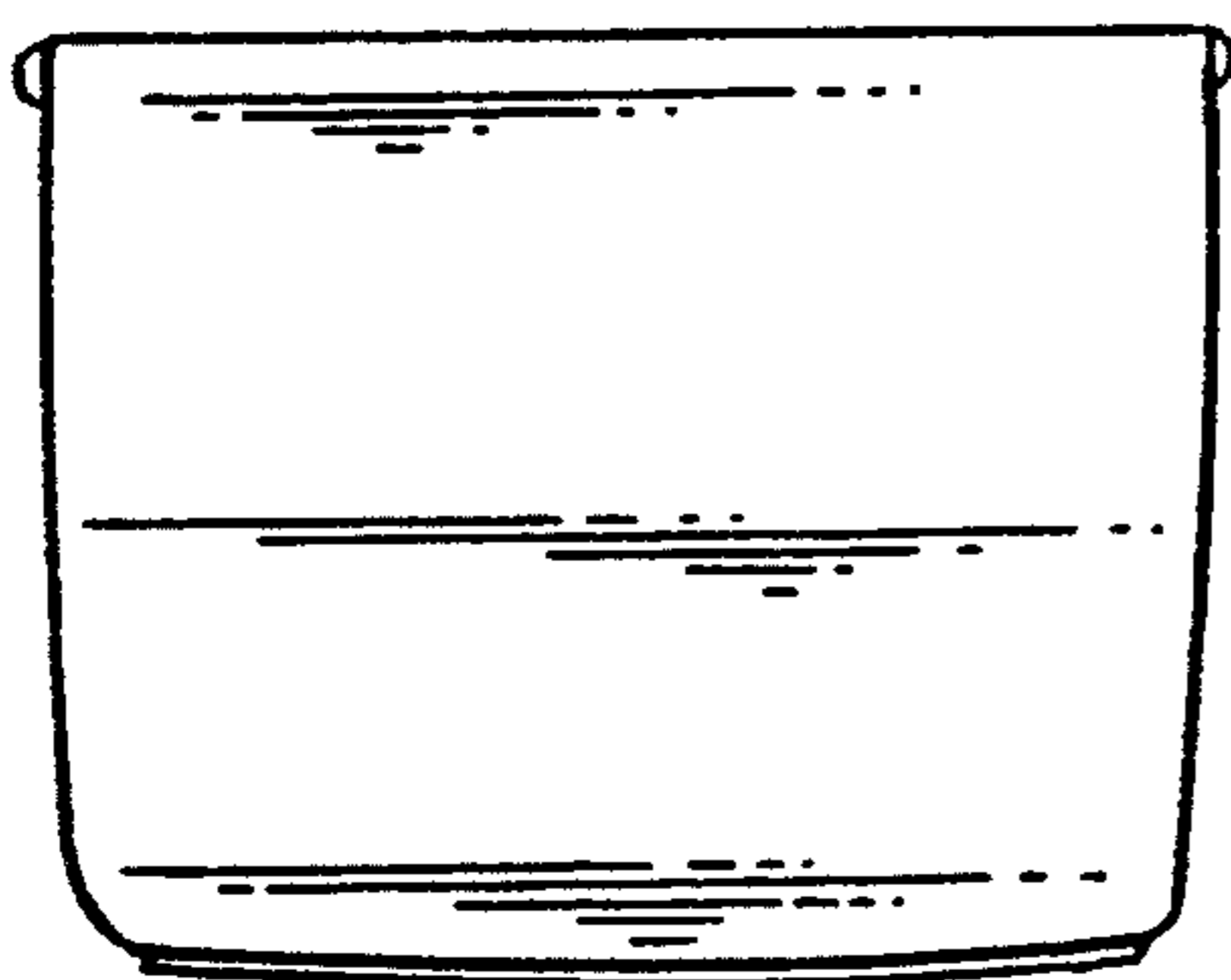


FIG. 6

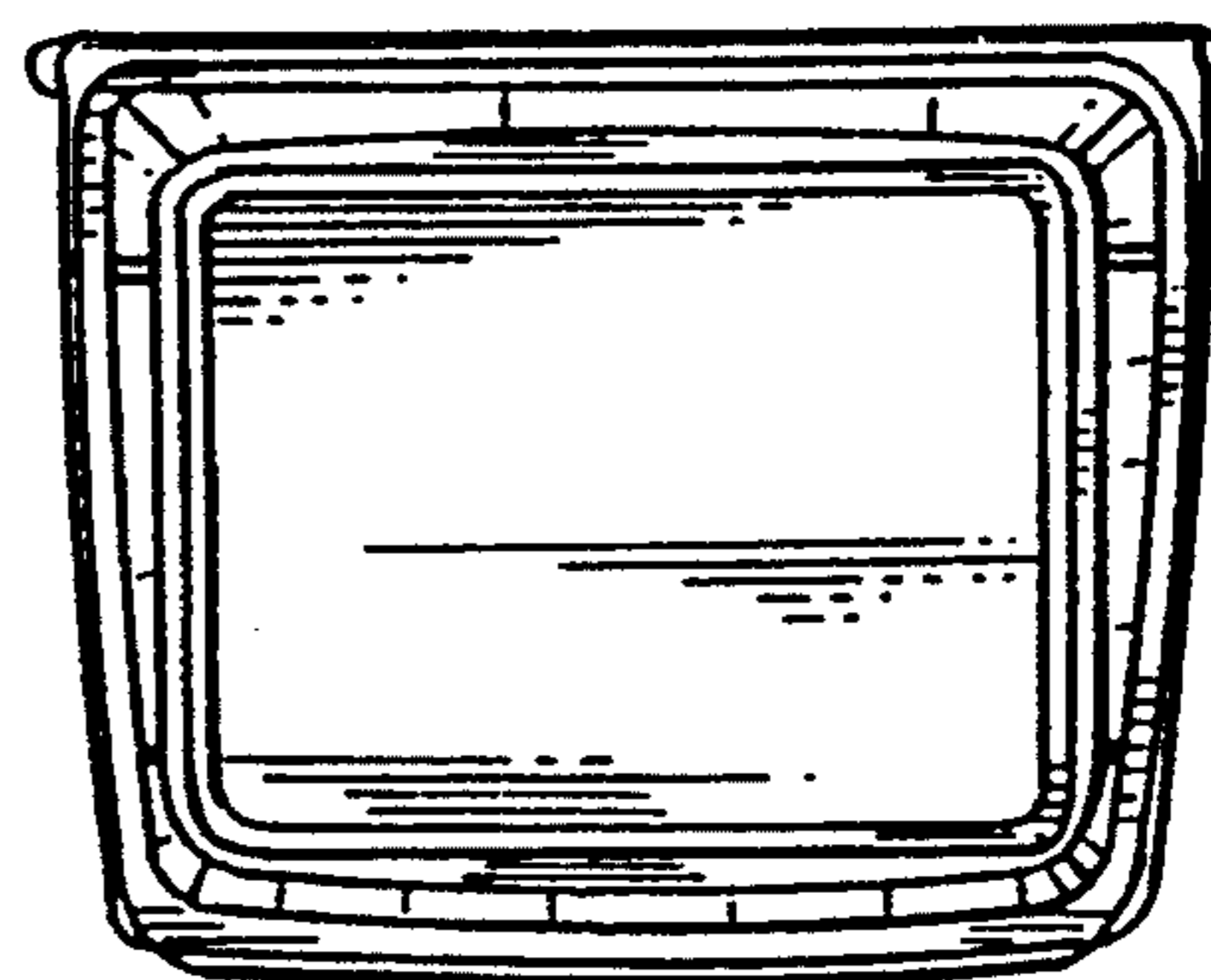


FIG. 7