



US00D355743S

United States Patent [19]
Hammack et al.

[11] **Patent Number: Des. 355,743**
[45] **Date of Patent: ** Feb. 21, 1995**

[54] **COMBINED CHAIR AND CART**
[76] **Inventors: Billy M. Hammack, 5510 W. Bellaire, Santa Fe, Tex. 77510; Michael A. Collins, 10039 Radio Rd., Houston, Tex. 77075**

4,639,036 1/1987 Nichols .
4,733,905 3/1988 Buickerood et al. 280/655
5,100,198 3/1992 Baltzell .
5,112,069 5/1992 Aldus et al. 280/42
5,265,892 11/1993 Said 280/47.26

[**] **Term: 14 Years**

Primary Examiner—Kay H. Chin
Attorney, Agent, or Firm—Terry M. Gernstein

[21] **Appl. No.: 13,363**

[57] **CLAIM**

[22] **Filed: Sep. 23, 1993**

The ornamental design for a combined chair and cart, as shown and described.

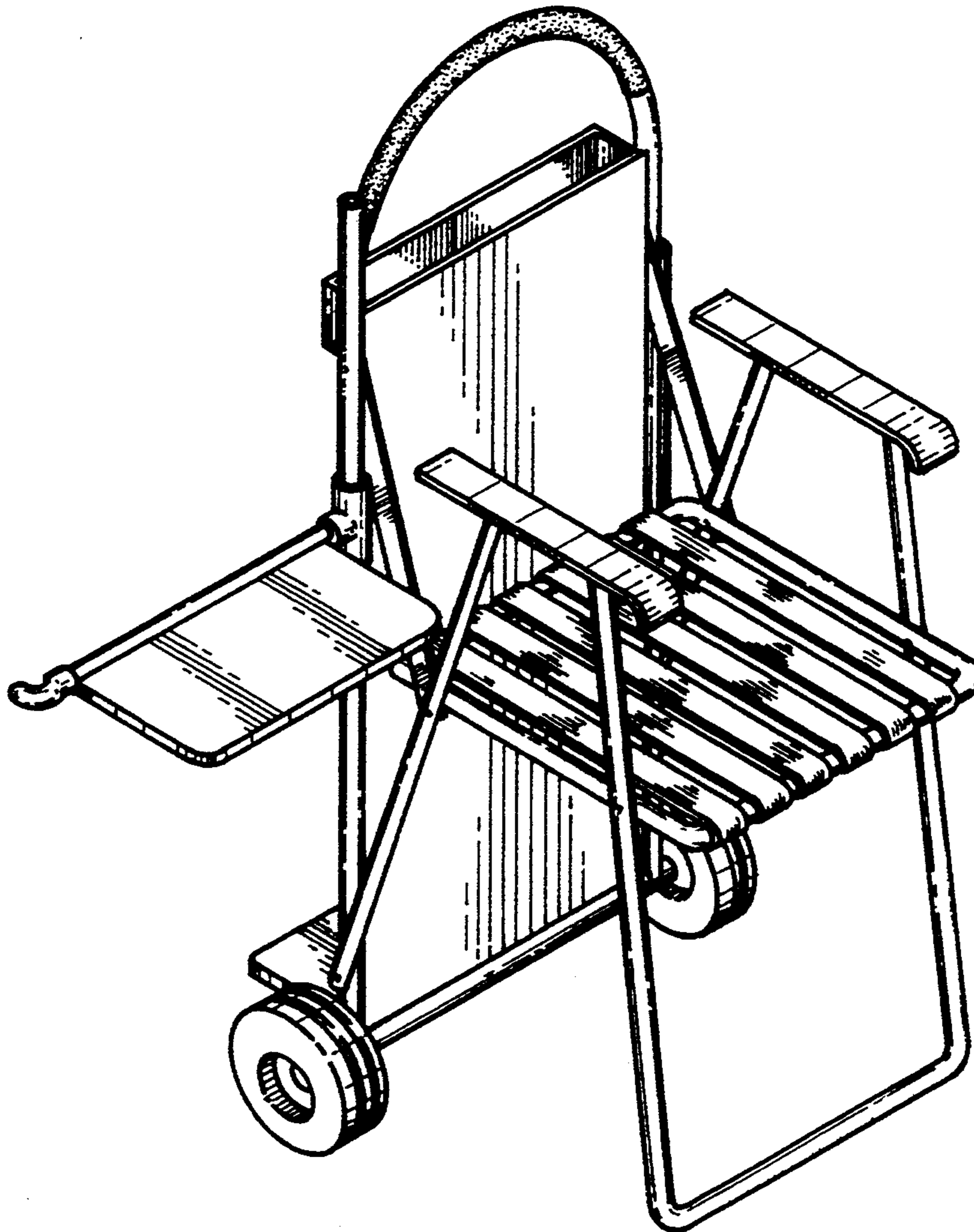
[52] **U.S. Cl. D34/24; D34/26; D6/335**

DESCRIPTION

[58] **Field of Search D34/24, 25, 26, 12; 280/652, 30, 655, 47.26, 42, 47.19, 651; D6/368, 341, 335**

FIG. 1 is an exploded perspective view of the combined chair and cart showing our new design; FIG. 2 is a front elevational view thereof; FIG. 3 is a rear elevational view thereof; FIG. 4 is a side elevational view thereof; FIG. 5 is a side elevational view thereof; FIG. 6 is a top plan view thereof; and, FIG. 7 is a bottom plan view thereof.

[56] **References Cited**
U.S. PATENT DOCUMENTS
D. 312,931 12/1990 Westfall .



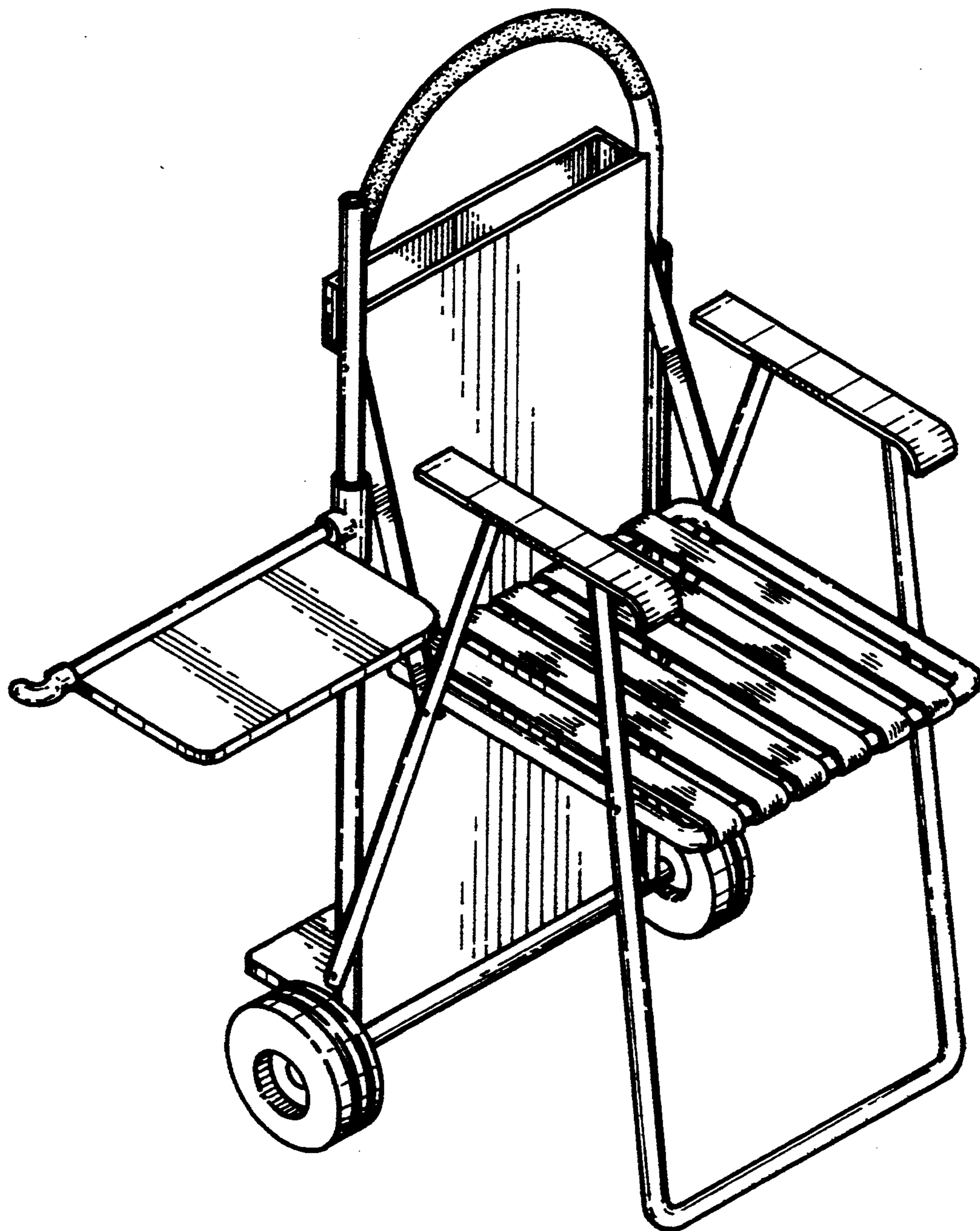


FIG.1

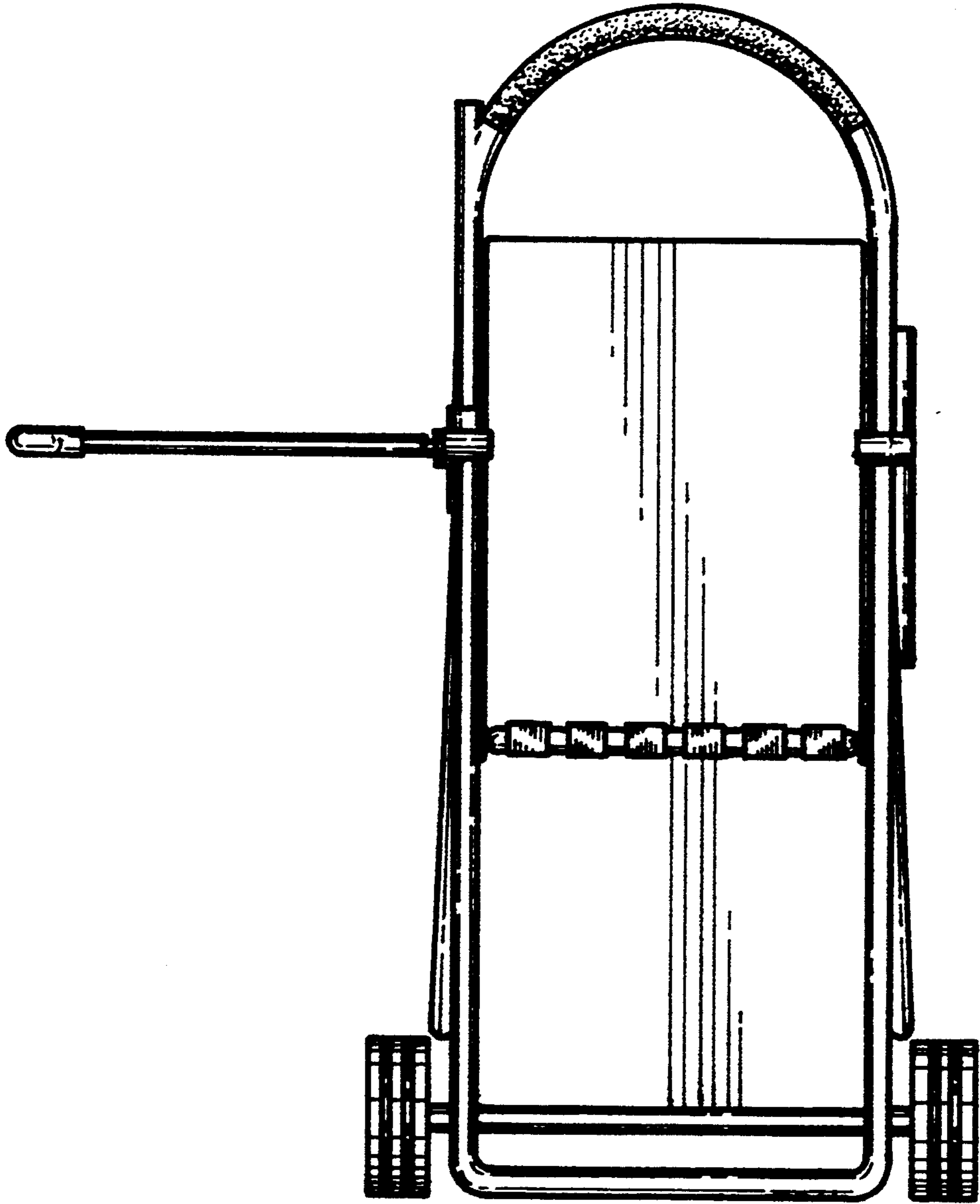


FIG. 2

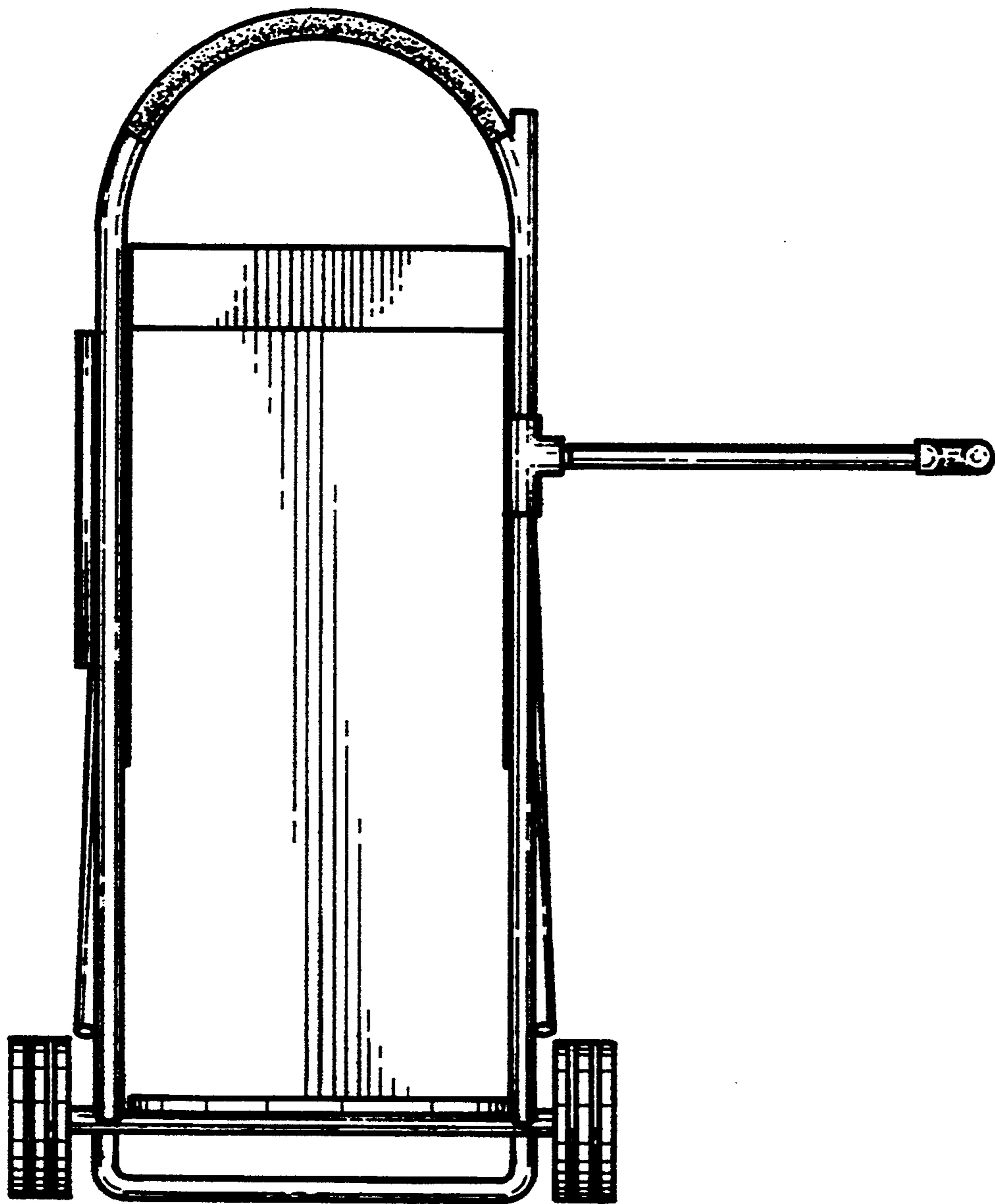


FIG. 3

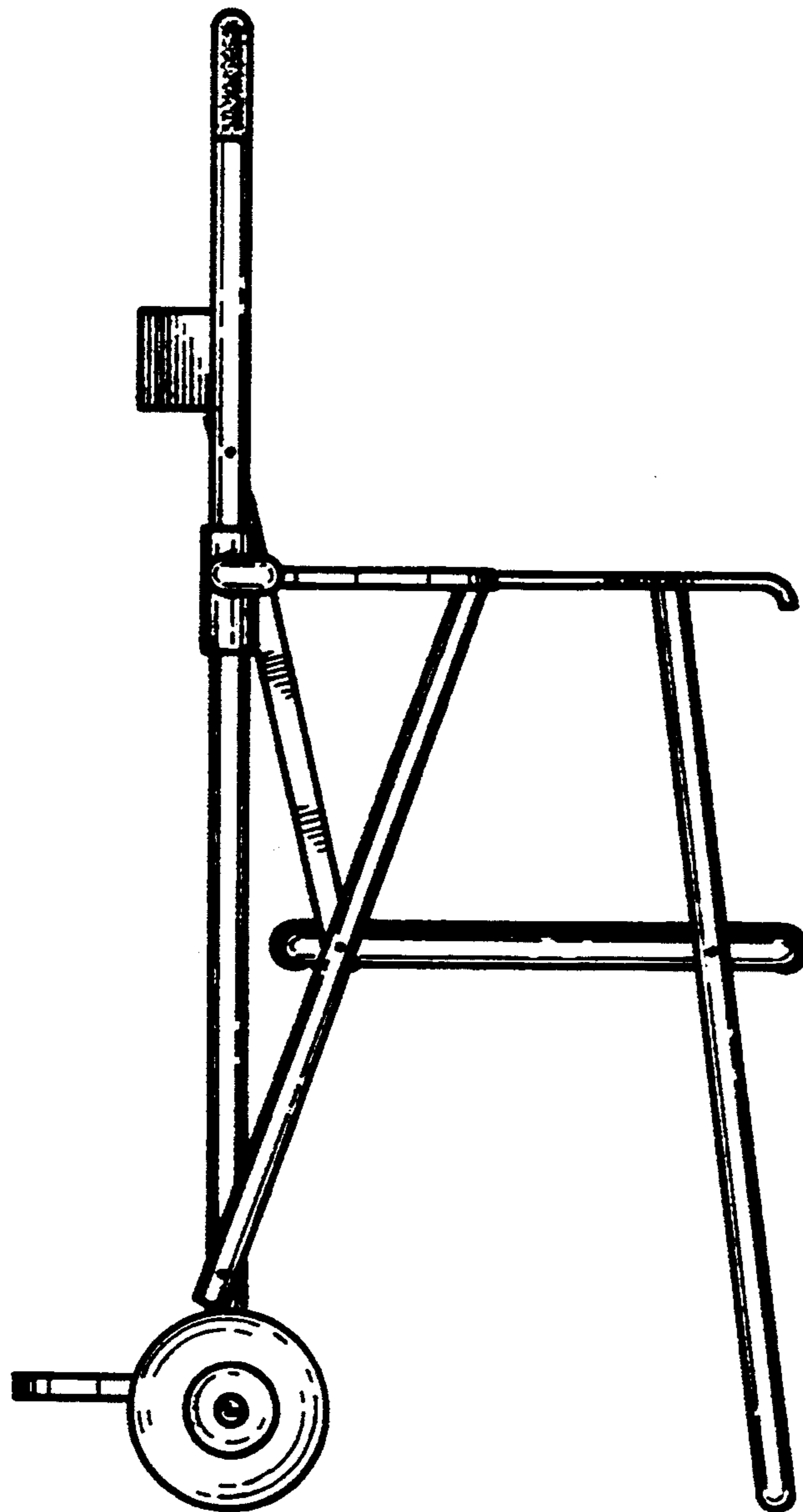


FIG. 4

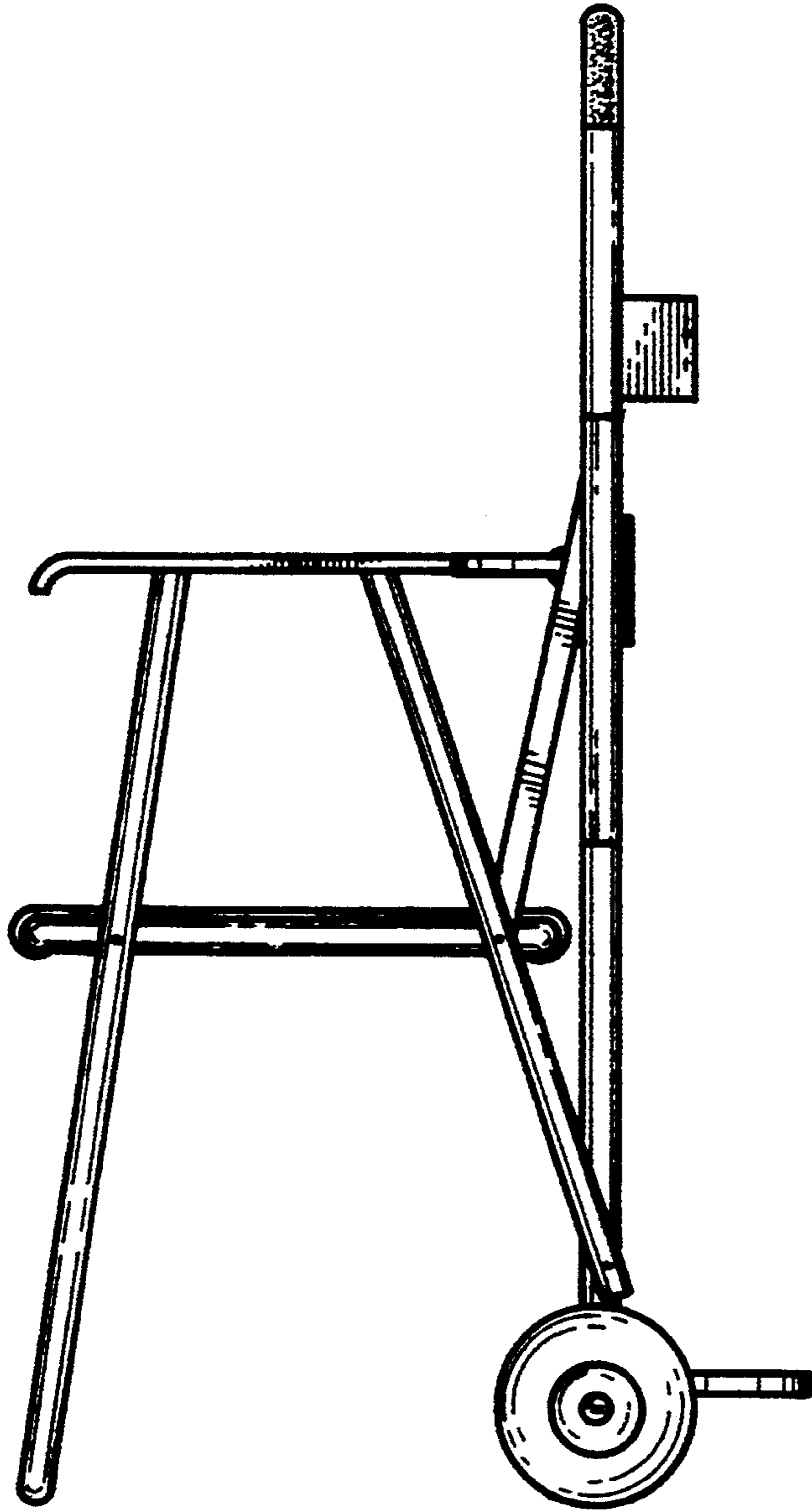


FIG. 5

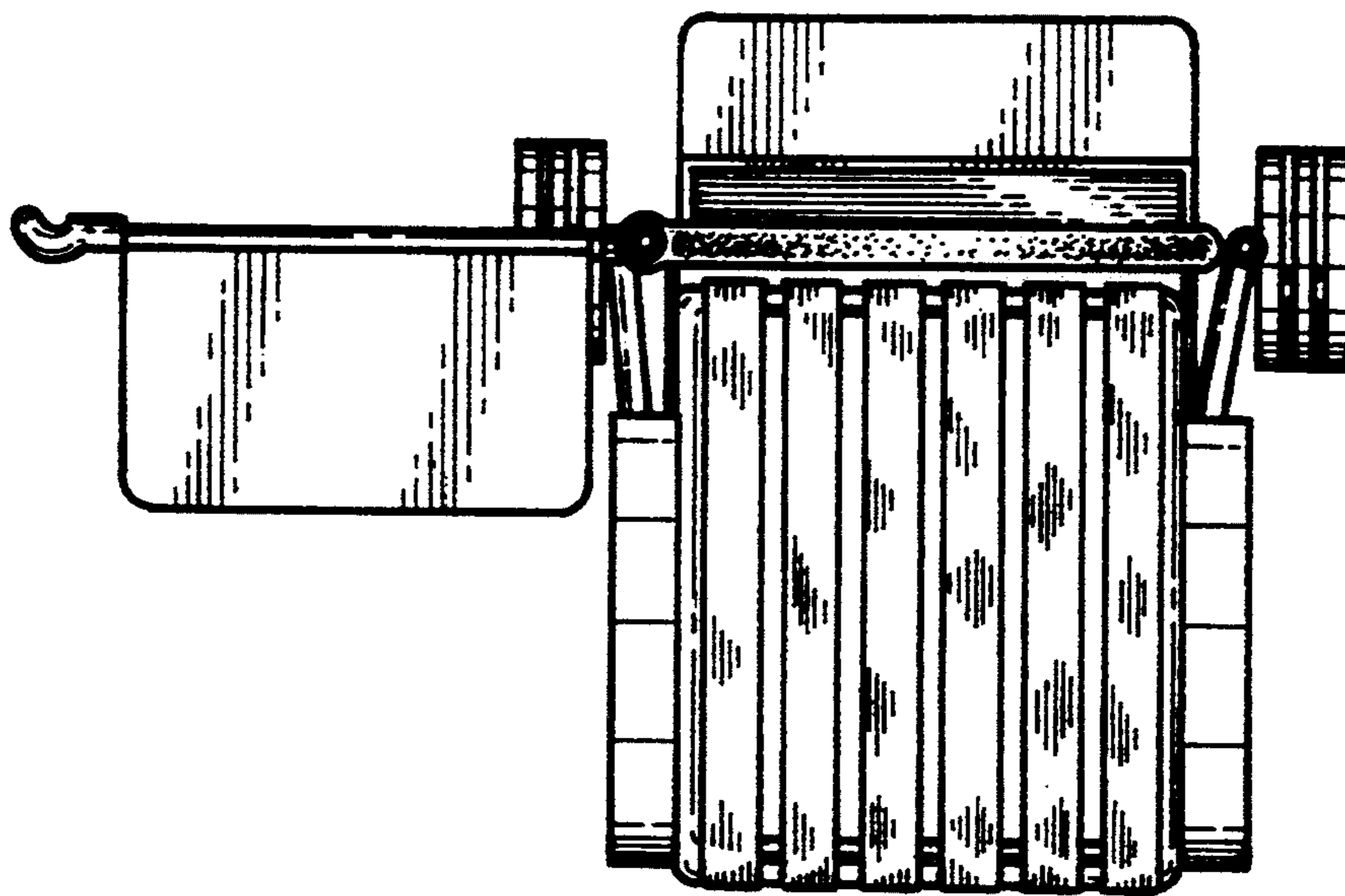


FIG. 6

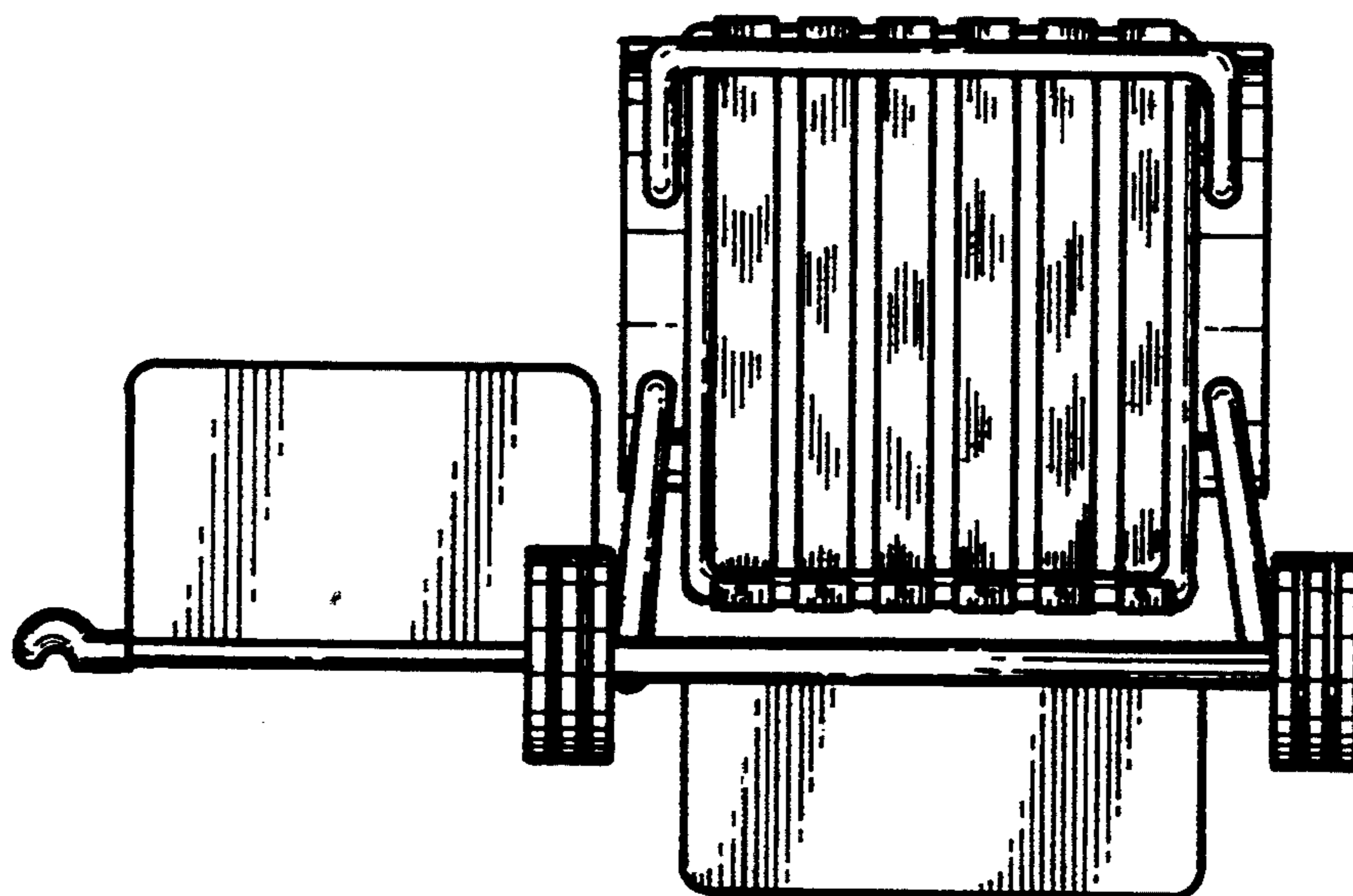


FIG. 7