



US00D355739S

United States Patent [19]

[11] Patent Number: **Des. 355,739**

Bird et al.

[45] Date of Patent: **** Feb. 21, 1995**

[54] **TRASH CONTAINER**

[75] Inventors: **David A. Bird; Mitchell L. Wilgus,**
both of Akron, Ohio

[73] Assignee: **Rubbermaid Incorporated,** Wooster,
Ohio

[**] Term: **14 Years**

[21] Appl. No.: **17,429**

[22] Filed: **Jan. 13, 1994**

[52] U.S. Cl. **D34/1**

[58] Field of Search **D34/1, 1.1, 4, 6-9,**
D34/11; D32/37, 53; 220/675, 908-911, 23.2,
23.4, 500, 553, 555, DIG. 12, DIG. 14; 232/1
E, 1 B, 43.2

product depicted herein has been on sale for more than one (1) year prior to the application date of this instant application.

P. 12, Wastebaskets; Tucker Housewares, 25 Tucker Drive, Leominster, Mass. 01469. Publication date Jan., 1983.

P. 29, Refuse container; Rubbermaid Incorporated, 1147 Akron Road, Wooster, Ohio 44691. Publication date 1990.

Catalog page, Wastebaskets; Rubbermaid Incorporated, 1147 Akron Road, Wooster, Ohio 44691. Publication date 1993.

Primary Examiner—Wallace R. Burke

Assistant Examiner—Robin V. Taylor

Attorney, Agent, or Firm—Richard B. O'Planick; Lisa B. Riedesel

[56] **References Cited**

U.S. PATENT DOCUMENTS

D. 236,578	9/1975	Powell	D32/53
D. 280,459	9/1985	McClelland	D34/8
D. 281,111	10/1985	McClelland	D34/8
D. 287,897	1/1987	Hanifl	D34/7
D. 326,754	6/1992	Hradisky	D34/7
D. 335,562	5/1993	Evans	D34/7
D. 336,243	6/1993	Evans	D34/7
D. 344,823	3/1994	Wilgus et al.	D32/37
3,390,804	7/1968	Morgan	220/908

OTHER PUBLICATIONS

Rubbermaid Catalog, 1992 p. 10 Item A Trash Receptacle.

P. 13, Wastebaskets; Tucker Housewares, 25 Tucker Drive, Leominster, Mass. 01469. It is believed that the

[57] **CLAIM**

The ornamental design for a trash container, as shown and described.

DESCRIPTION

FIG. 1 is a top right front perspective view of a trash container showing our new design. The broken lines are for illustrative purposes only and form no part of the claimed design;

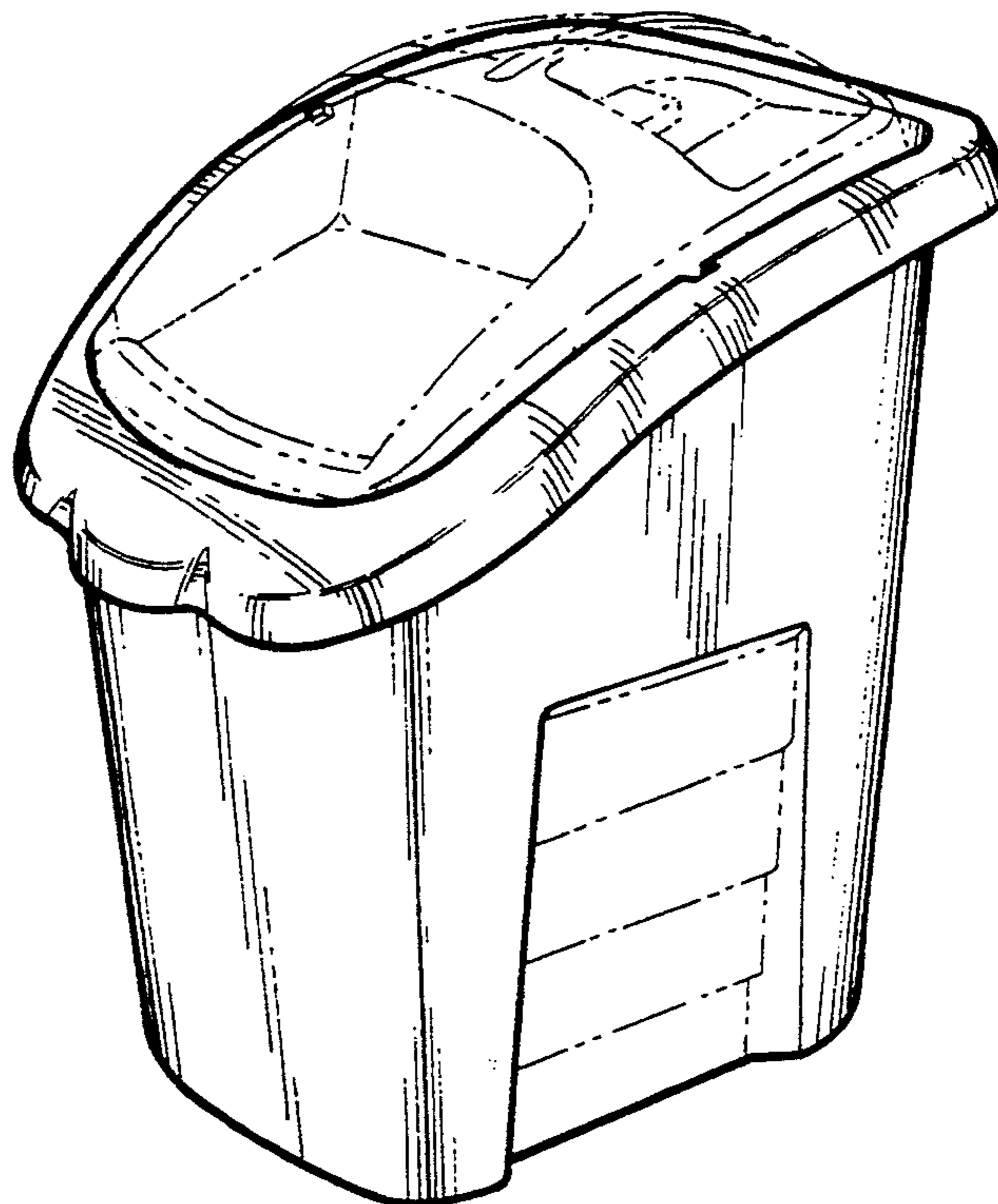
FIG. 2 is a right side elevational view thereof; the left side elevational view being a mirror image;

FIG. 3 is a top plan view thereof;

FIG. 4 is a bottom plan view thereof;

FIG. 5 is a front elevational view thereof; and,

FIG. 6 is a rear elevational view thereof.



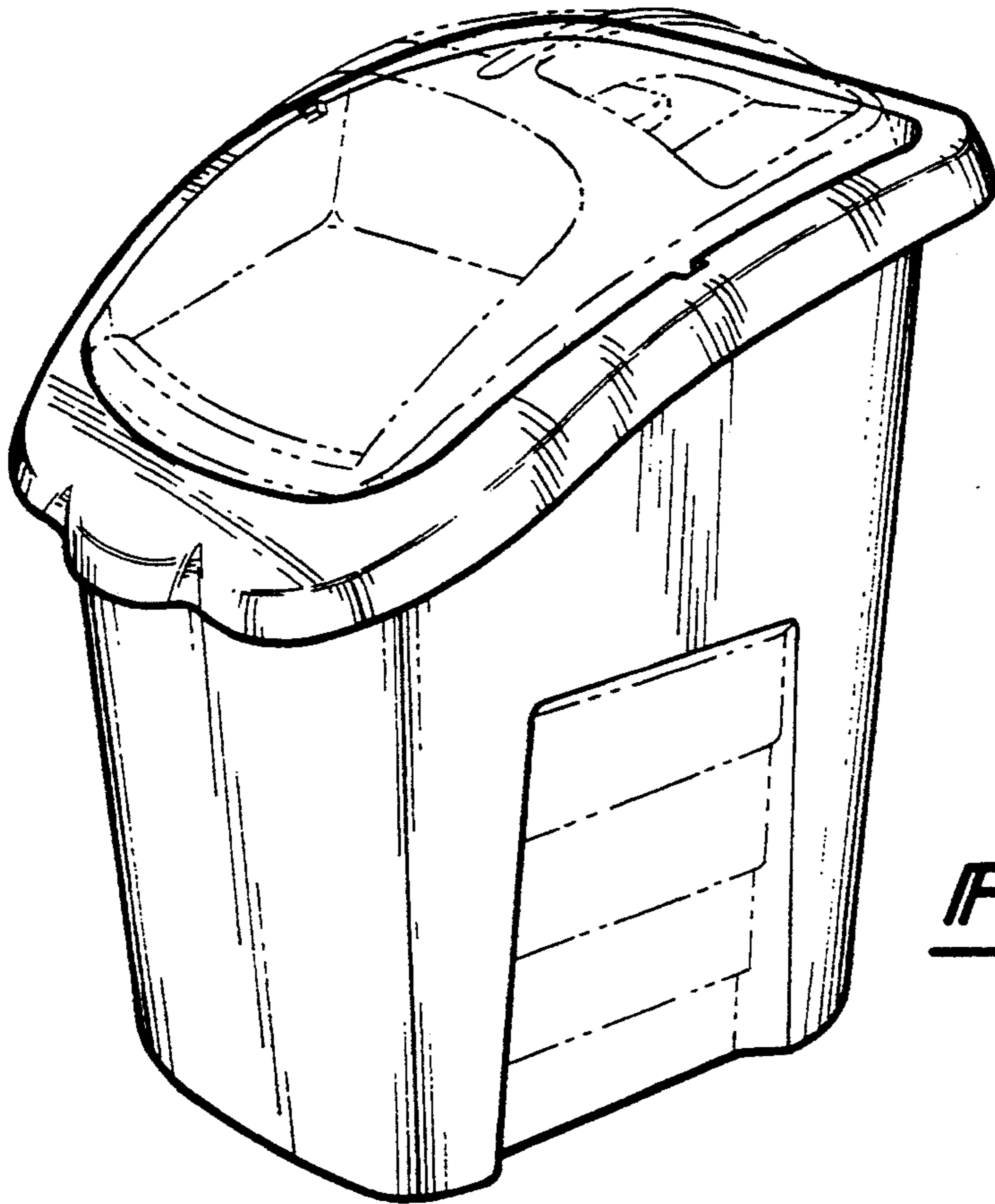


Fig-1

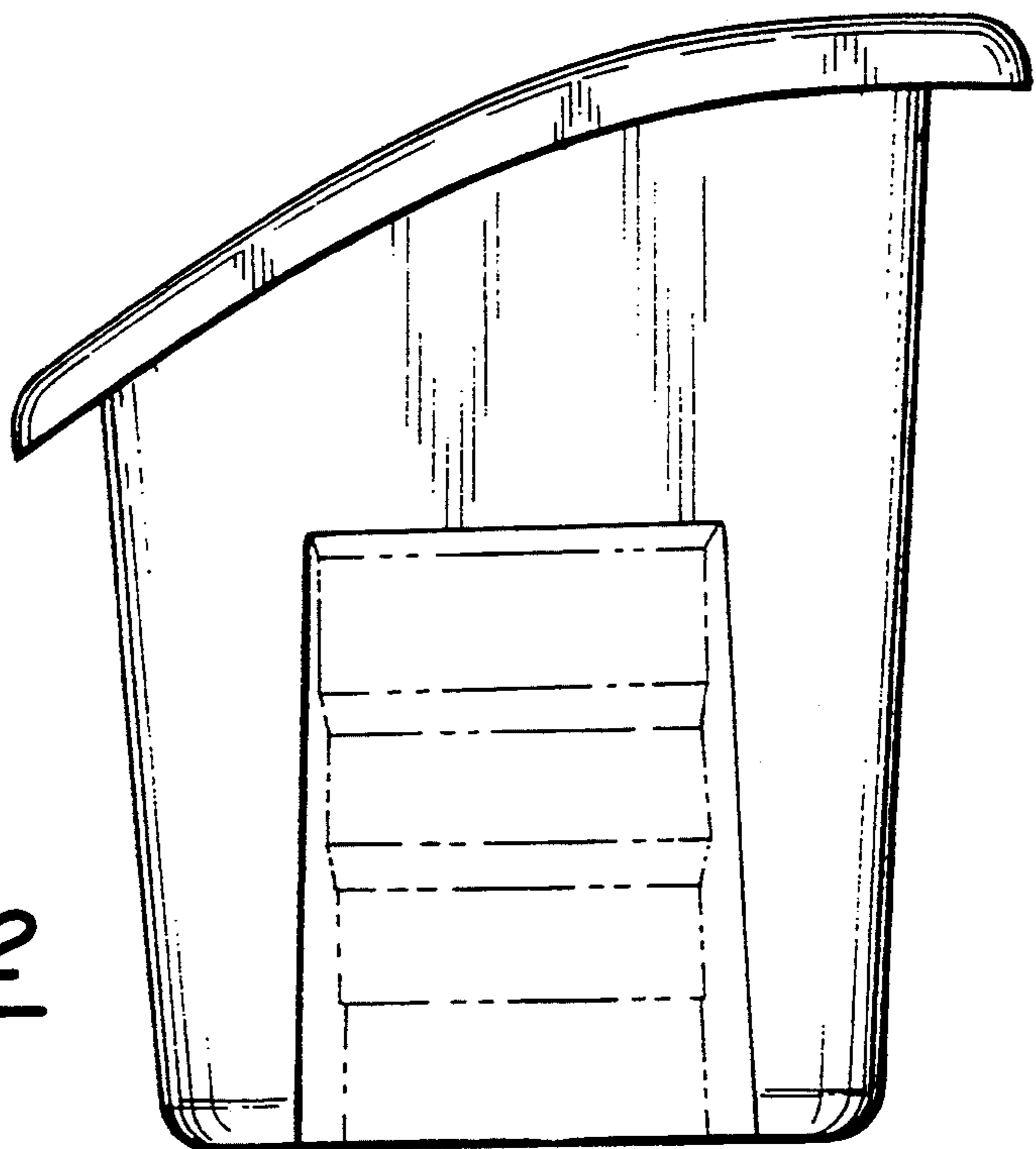


Fig-2

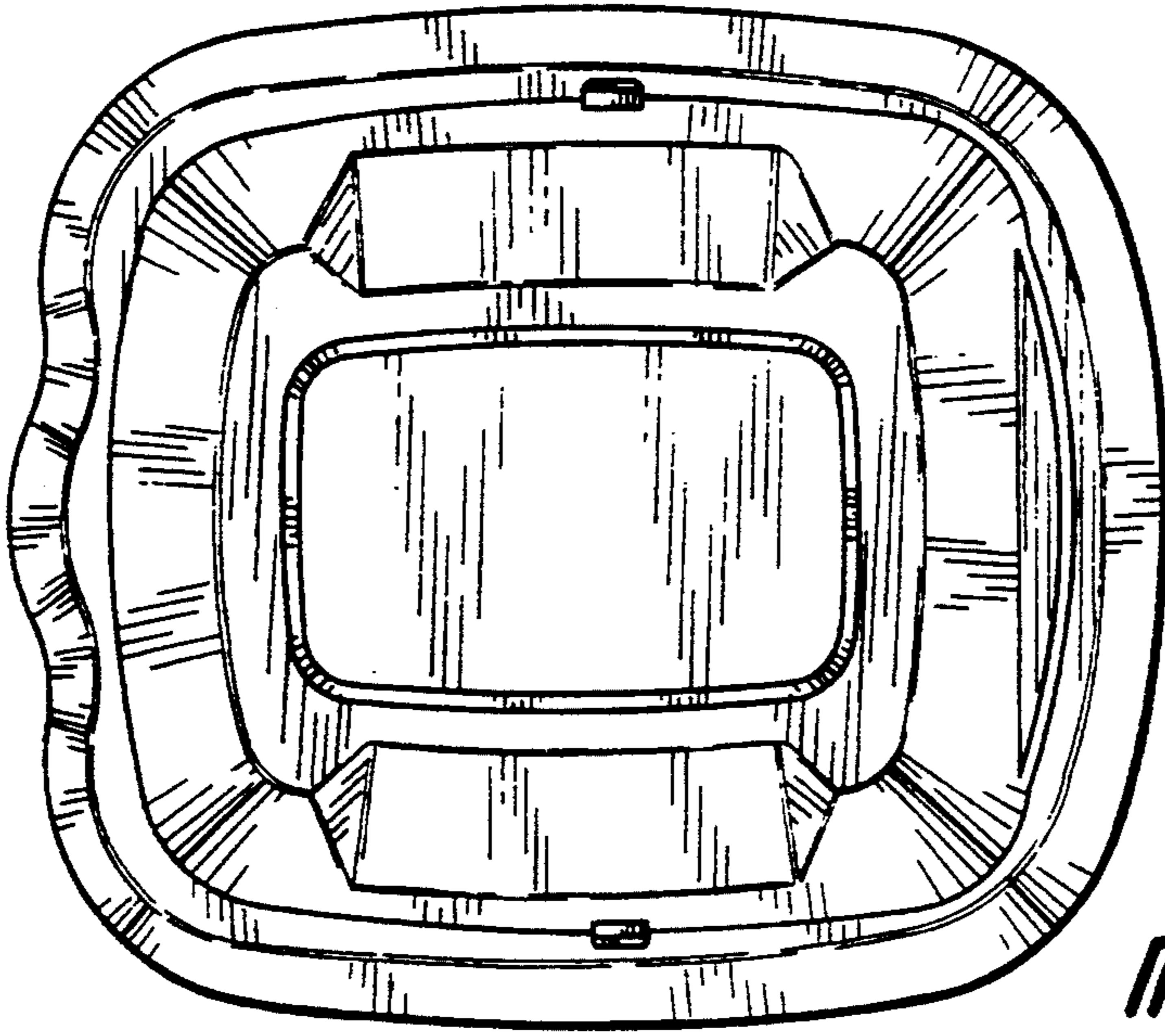


Fig-3

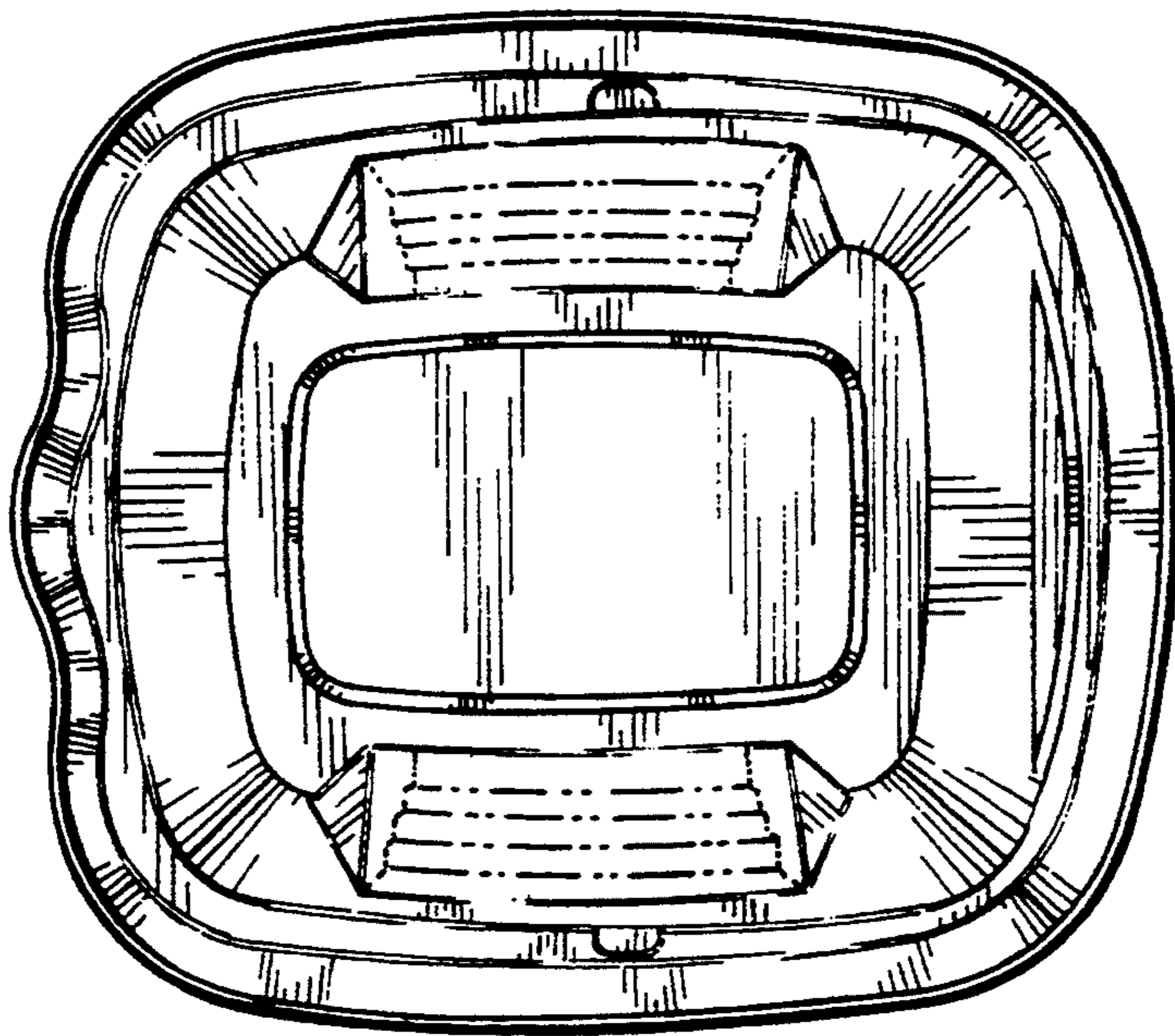


Fig-4

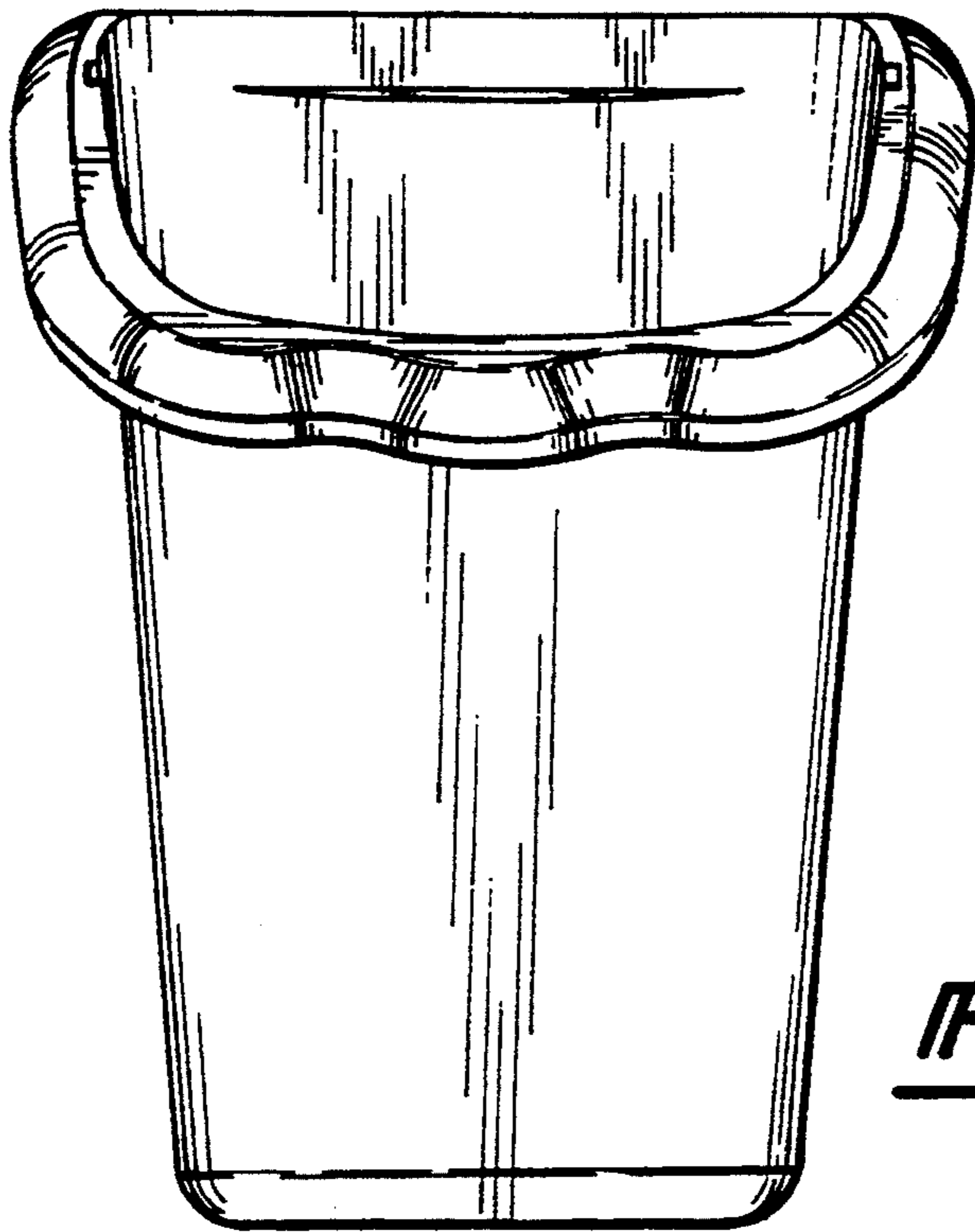


Fig-5

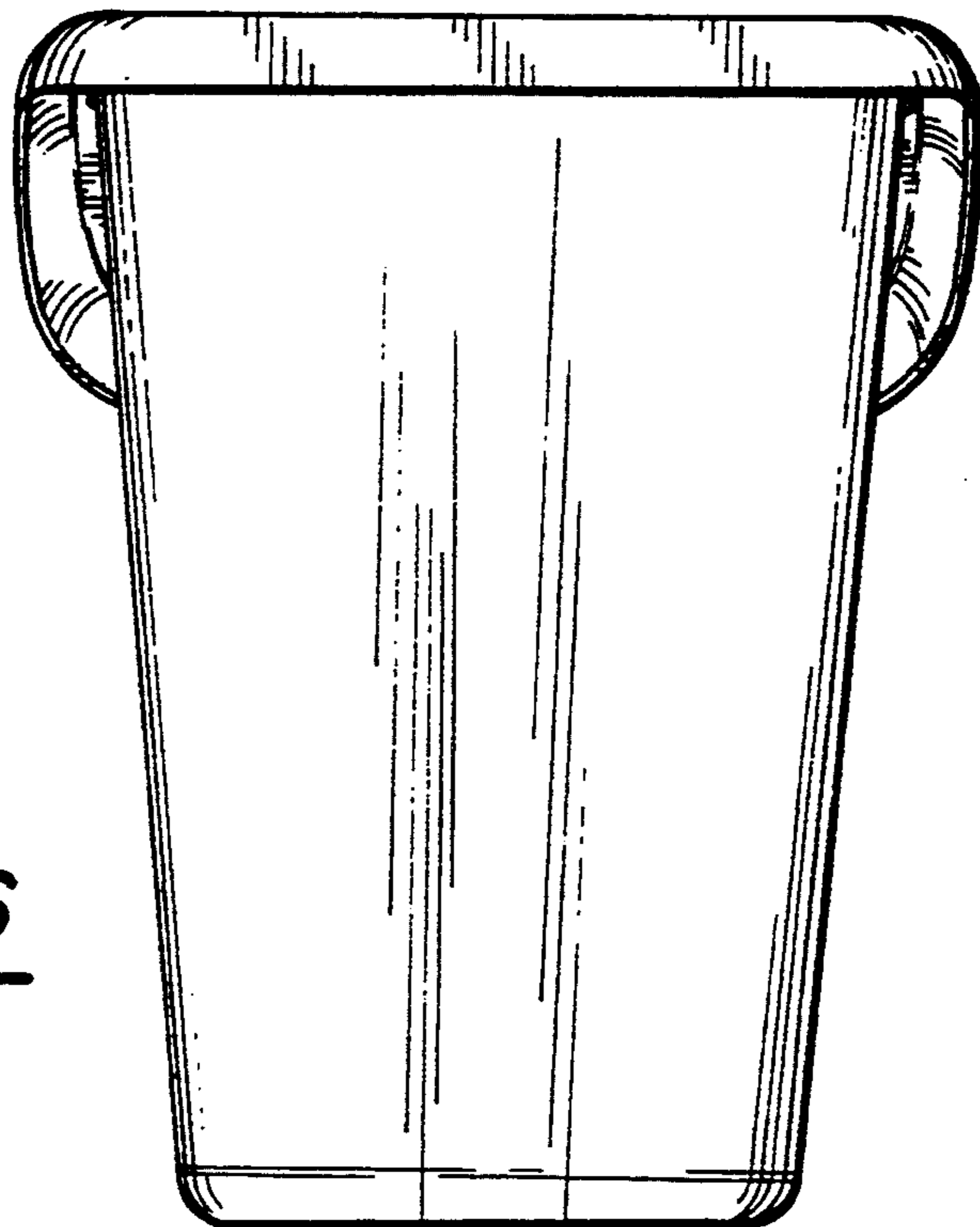


Fig-6