



US00D355738S

United States Patent [19]

[11] Patent Number: **Des. 355,738**

Samuelsson

[45] Date of Patent: **** Feb. 21, 1995**

[54] **COMBINED WASH BUCKET AND MOBILE STAND THEREFOR**

3,536,336 10/1970 Palmer .
3,734,527 5/1973 Bard .
4,223,859 9/1980 Erickson .
4,908,904 3/1990 Smith, Jr. .
5,183,280 2/1993 Gresch .

[76] Inventor: **Soren Samuelsson, P.O. Box 1312, Palm Desert, Calif. 92260**

[**] Term: **14 Years**

FOREIGN PATENT DOCUMENTS

[21] Appl. No.: **19,539**

1324365 3/1963 France 220/702

[22] Filed: **Mar. 4, 1994**

Primary Examiner—Wallace R. Burke
Assistant Examiner—Robin V. Taylor
Attorney, Agent, or Firm—Fulwider, Patton, Lee & Utecht

[52] U.S. Cl. **D32/53**

[58] Field of Search D32/53, 53.1, 54; D11/143, 144, 151, 152; D6/403; 248/98, 127, 129; 220/694-702; 15/264

[57] CLAIM

[56] References Cited

The ornamental design for a combined wash bucket and mobile stand therefor, as shown and described.

U.S. PATENT DOCUMENTS

DESCRIPTION

D. 119,327	3/1940	Groves .	
D. 248,081	6/1978	Epstein .	
D. 305,948	2/1990	Rentz	D32/53
396,459	1/1889	Bertrand	248/129
692,103	1/1902	Bailey	220/697
717,643	1/1903	Warren et al.	220/697
1,721,299	7/1929	Harrison	248/146
1,790,476	1/1931	Johnson	248/129
1,918,604	7/1933	Johnson .	

FIG. 1 is a perspective view of a combined wash bucket and mobile stand therefor showing my new design; FIG. 2 is a top plan view thereof; FIG. 3 is a bottom plan view thereof; FIG. 4 is a front elevational view thereof; FIG. 5 is a rear elevational view thereof; FIG. 6 is a left hand view thereof; and, FIG. 7 is a right elevational view thereof.

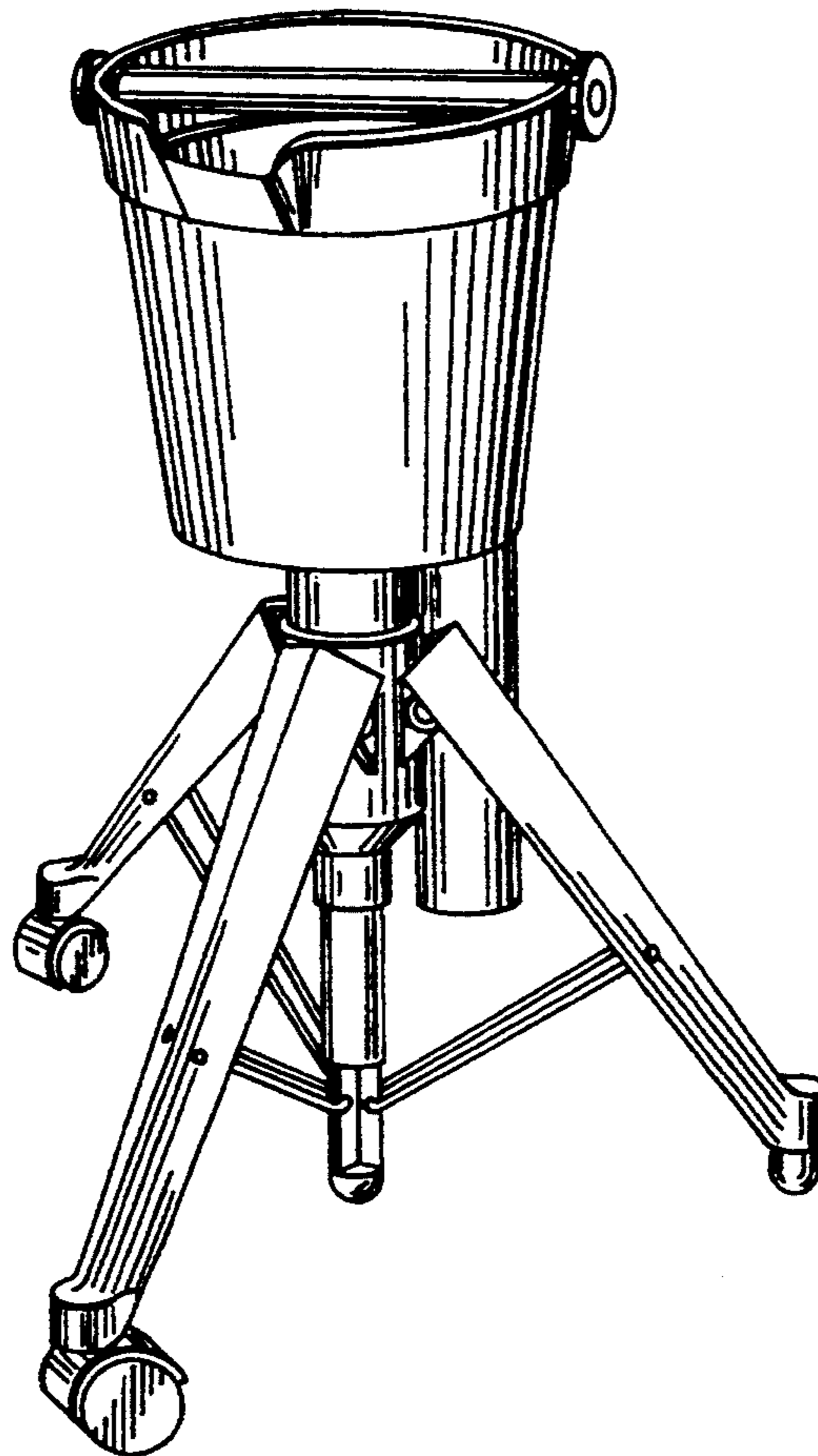


FIG. 1

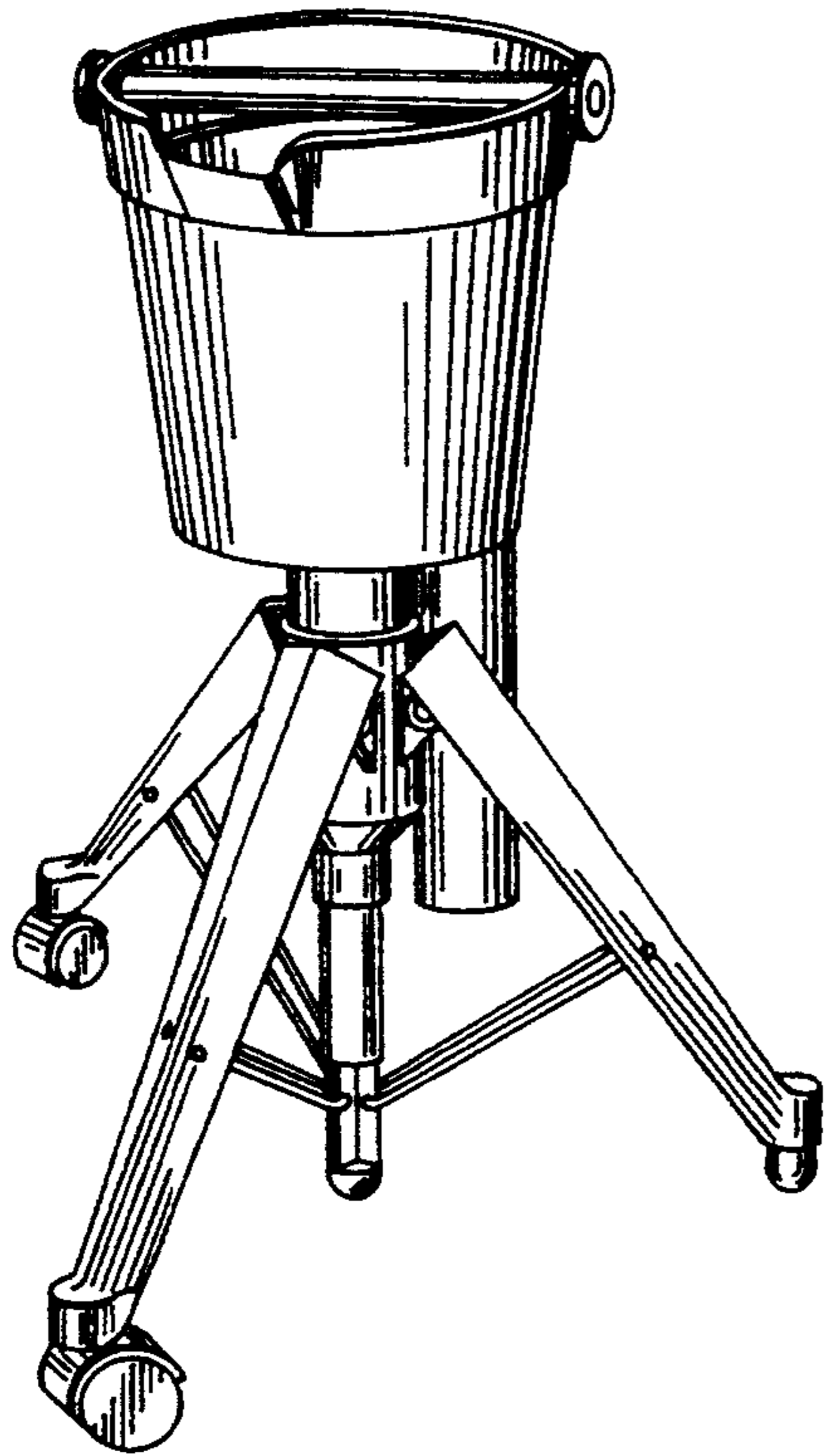


FIG. 2

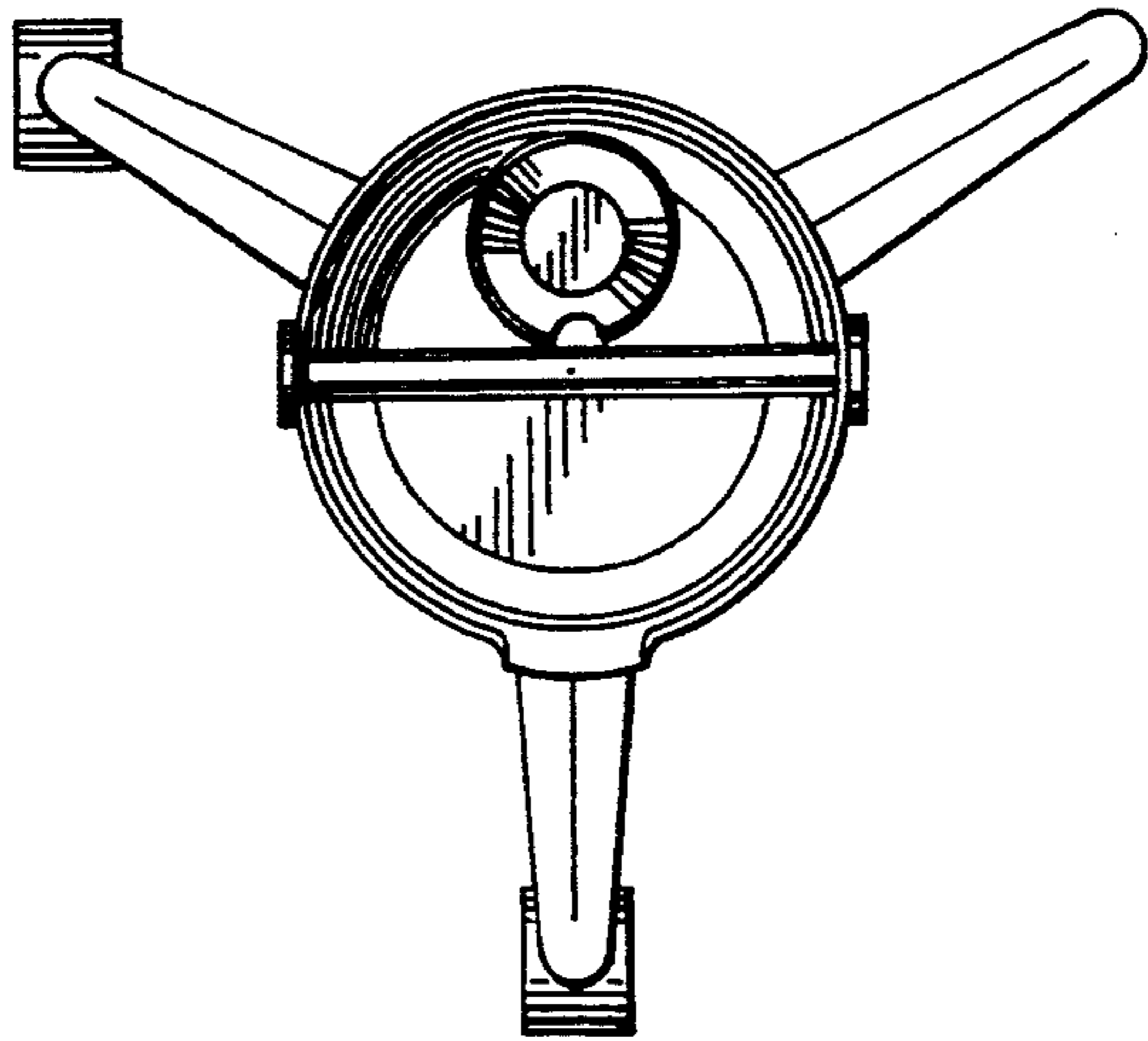


FIG. 4

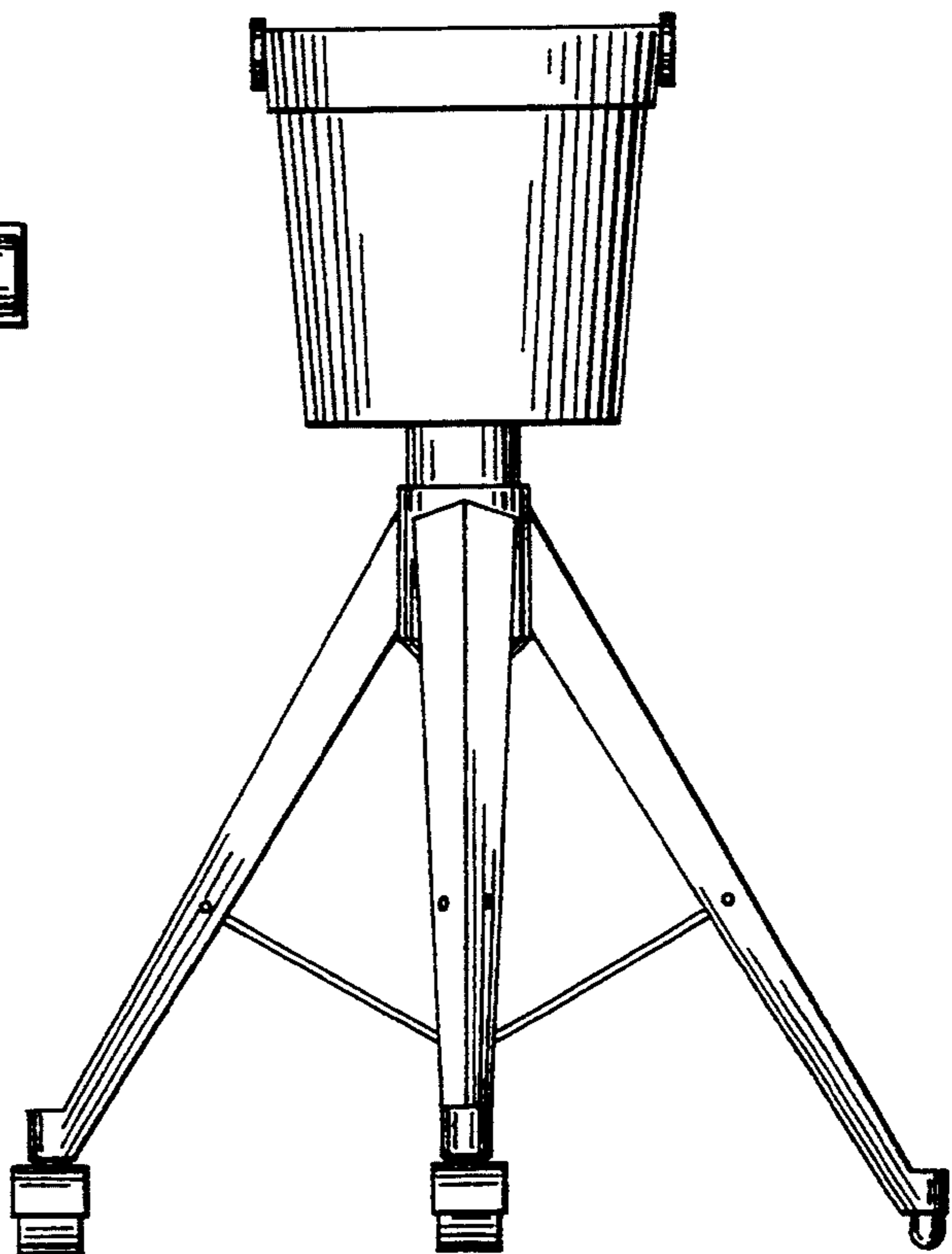


FIG. 3

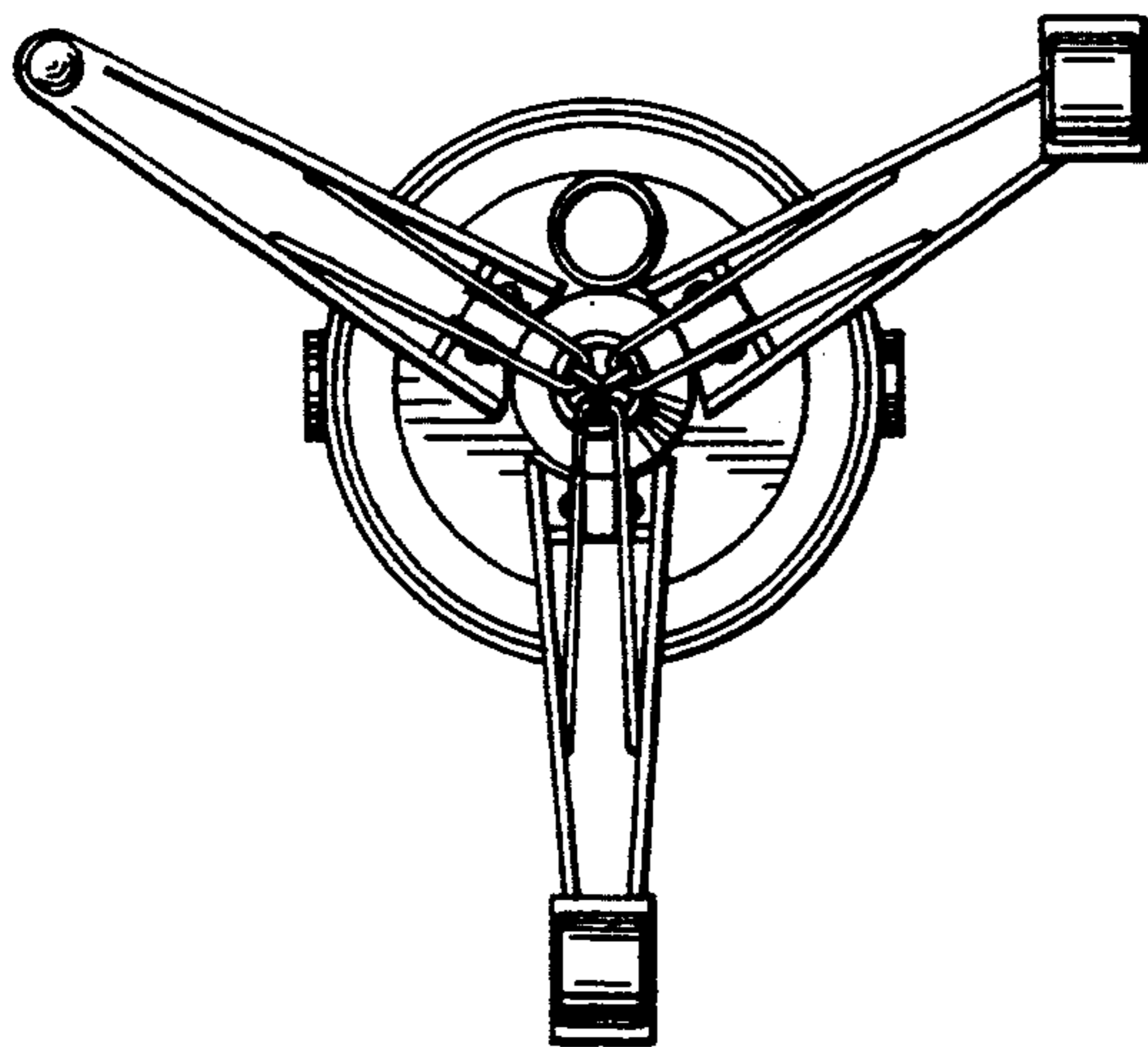


FIG. 5

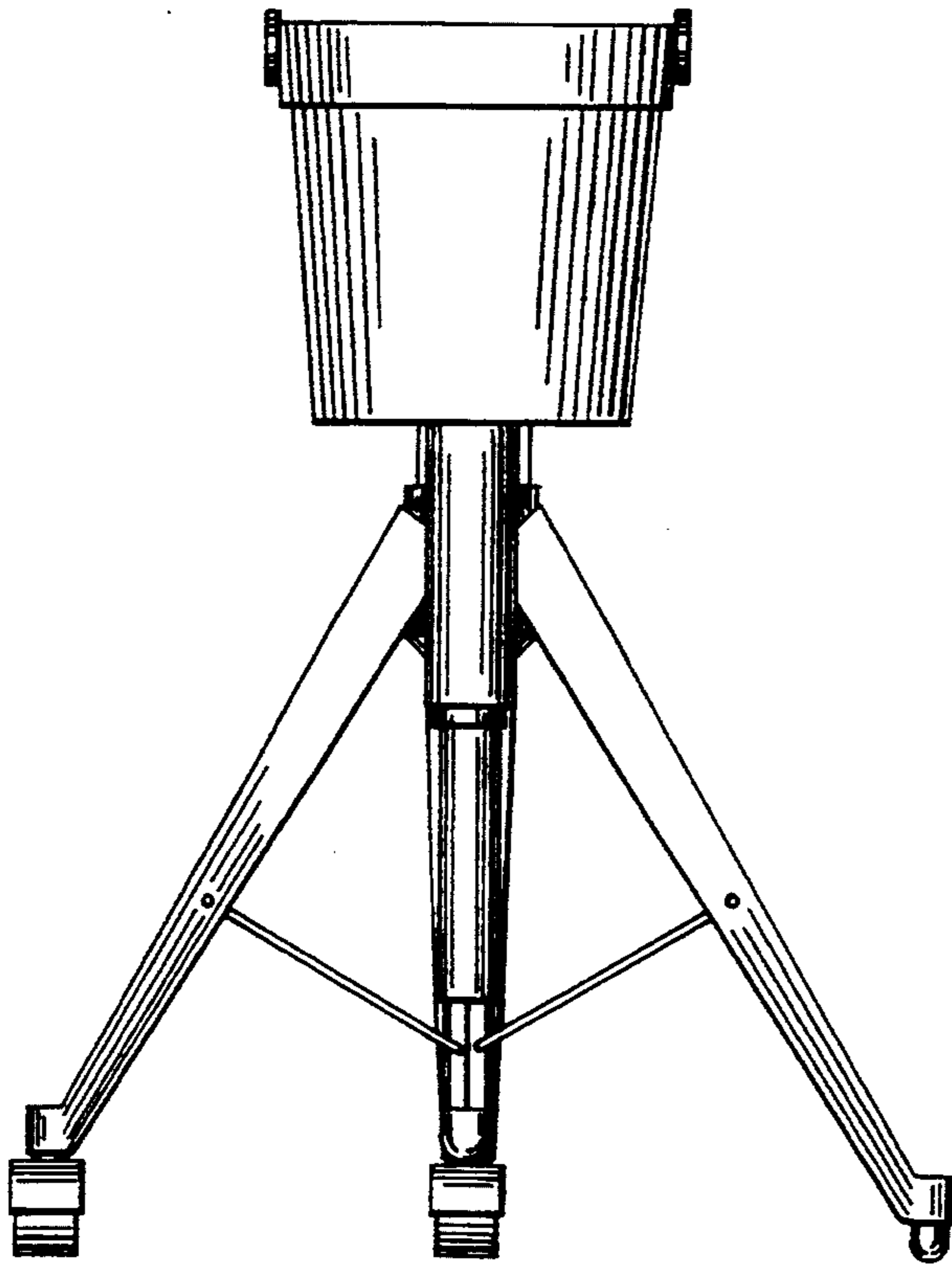


FIG. 6

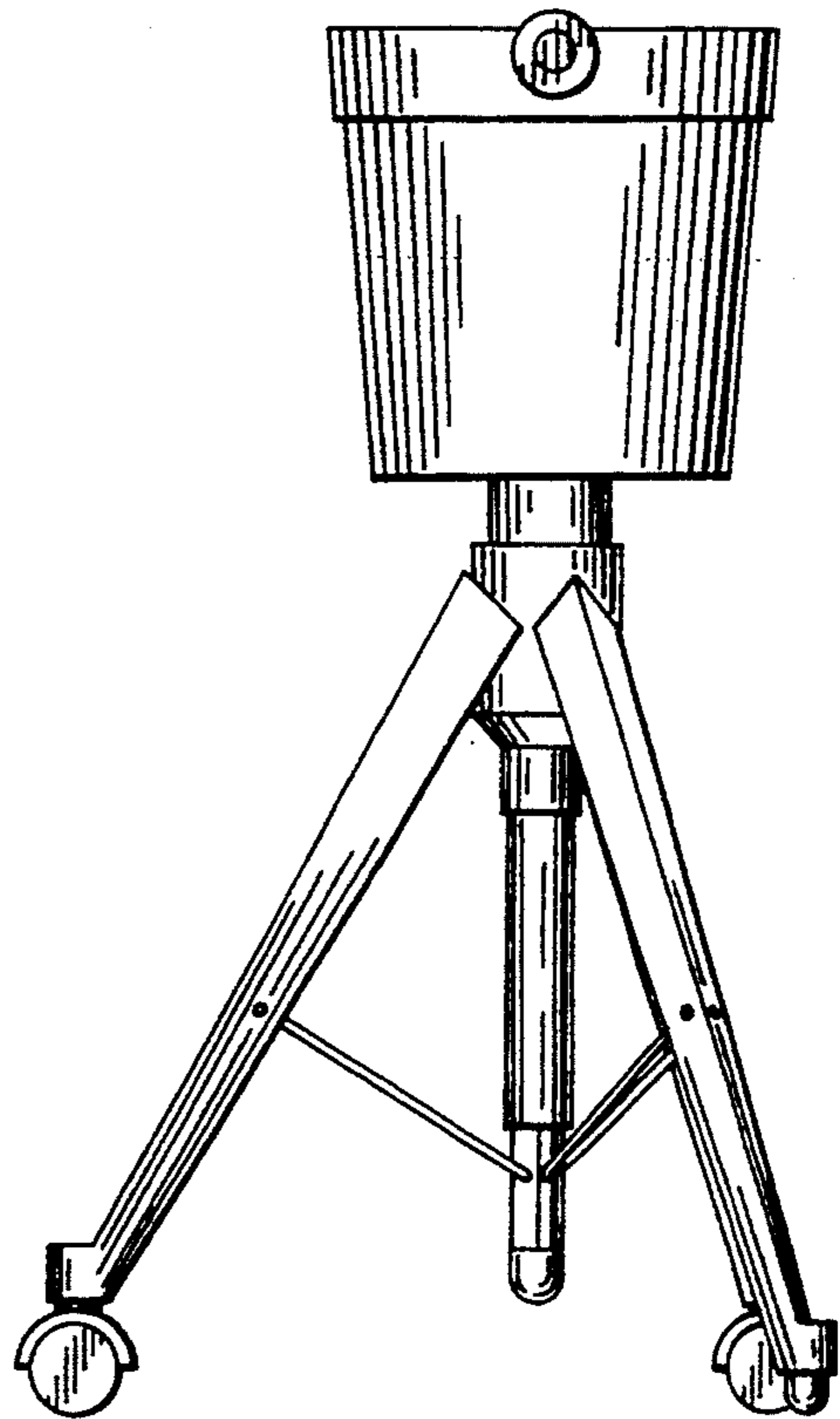


FIG. 7

