



US00D355737S

United States Patent [19]

[11] Patent Number: Des. 355,737

Breen

[45] Date of Patent: ** Feb. 21, 1995

[54] **DRYING RACK SUPPORT FRAME**

[75] Inventor: **John D. Breen**, Wooster, Ohio

[73] Assignee: **Rubbermaid Incorporated**, Wooster, Ohio

[**] Term: **14 Years**

[21] Appl. No.: **17,335**

[22] Filed: **Jan. 11, 1994**

[52] U.S. Cl. **D32/58**

[58] Field of Search **D32/58, 59, 60; 248/353, 346; 211/86, 87, 89, 99, 105.1, 96, 123**

[56] **References Cited**

U.S. PATENT DOCUMENTS

22,993	2/1859	Waterman	D32/58
D. 255,315	6/1980	Koshiyama	D32/58
561,210	6/1896	Downey	211/86
1,698,753	1/1929	Fischer	211/86
2,524,190	10/1950	Cooper	211/178

OTHER PUBLICATIONS

Catalog page, Wall-mounted drying racks; Stewi, Fertigungs-und Vertriebs-GmbH, Fritz-Arnold-Str. 11,

Postfach 10 19 51, 7750, Konstanz. Publication date 1991.

Sell sheet, Door drying rack; *Hold Everything*, San Francisco, Calif. Publication date 1989.

Label, Sweater dryer; F. A. Woolworth Co., New York, N.Y. 10279. Publication date 1992.

Primary Examiner—Wallace R. Burke

Assistant Examiner—Robin V. Taylor

Attorney, Agent, or Firm—Richard B. O'Planick; Lisa B. Riedesel

[57] **CLAIM**

The ornamental design for a drying rack support frame, as shown and described.

DESCRIPTION

FIG. 1 is a top left front perspective view of a drying rack support frame showing my new design;

FIG. 2 is a front elevational view thereof; the rear elevational view being a mirror image;

FIG. 3 is a left side elevational view thereof; the right side elevational view being a mirror image;

FIG. 4 is a top plan view thereof; and,

FIG. 5 is a bottom plan view thereof.

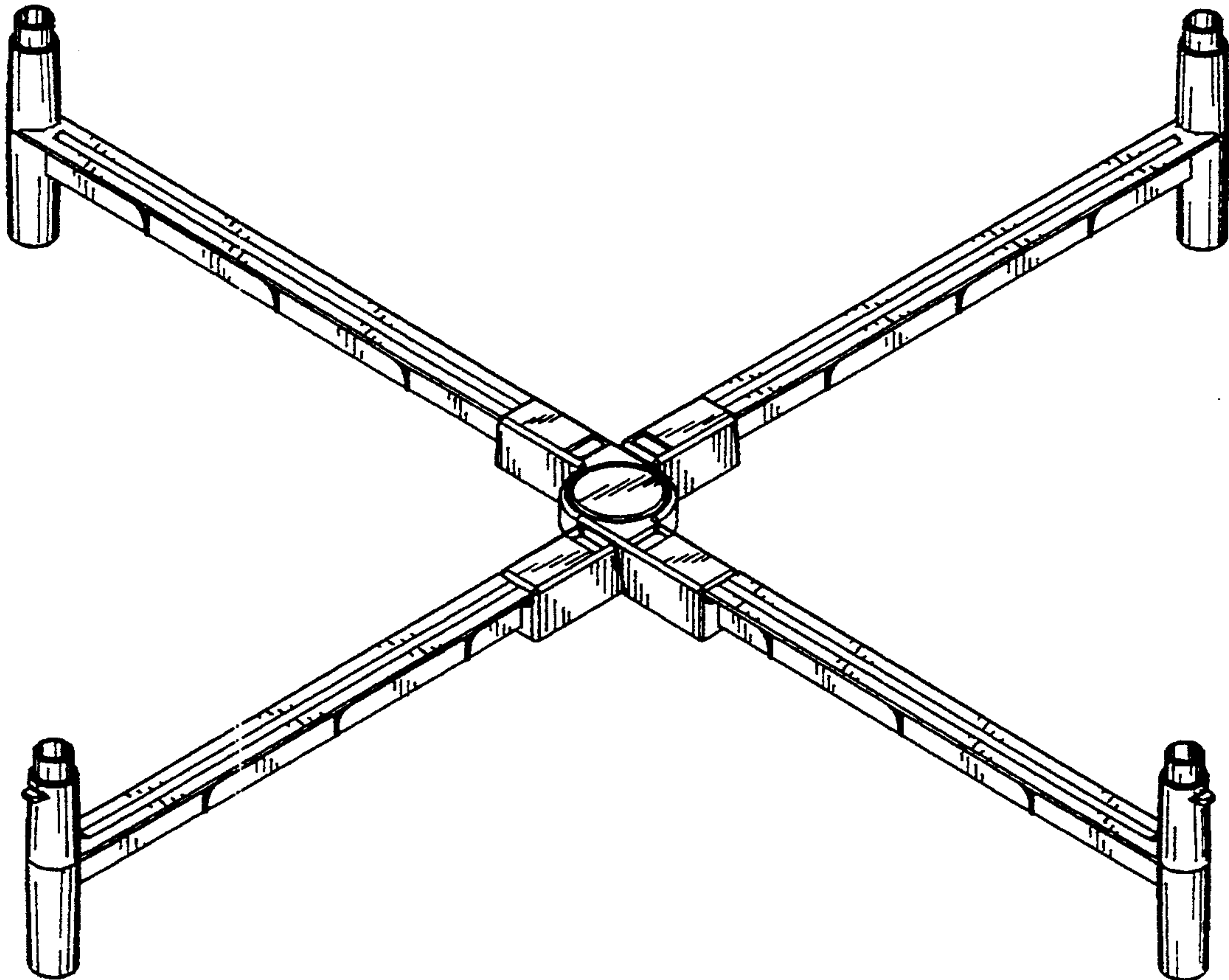


FIG. 1

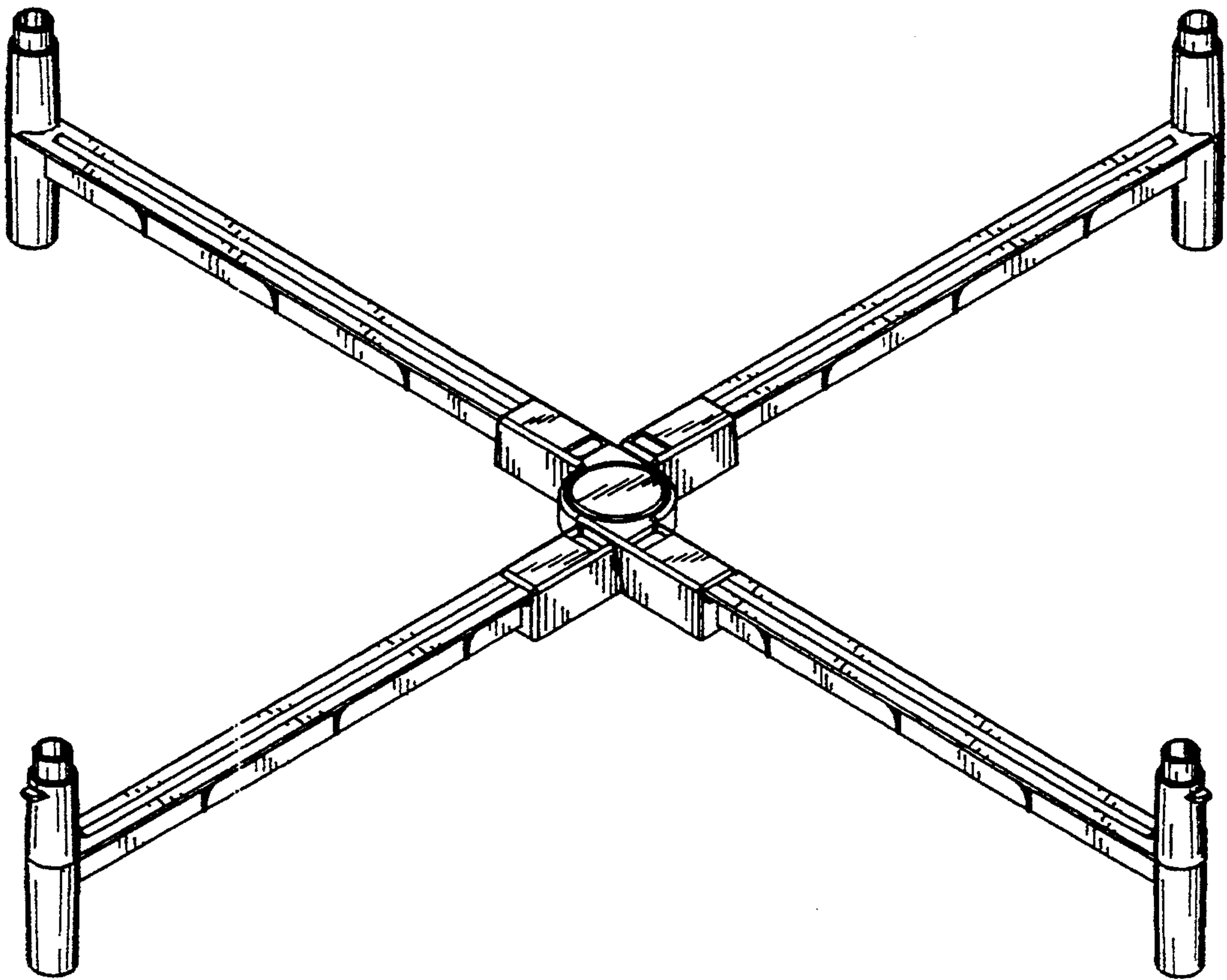


FIG. 5

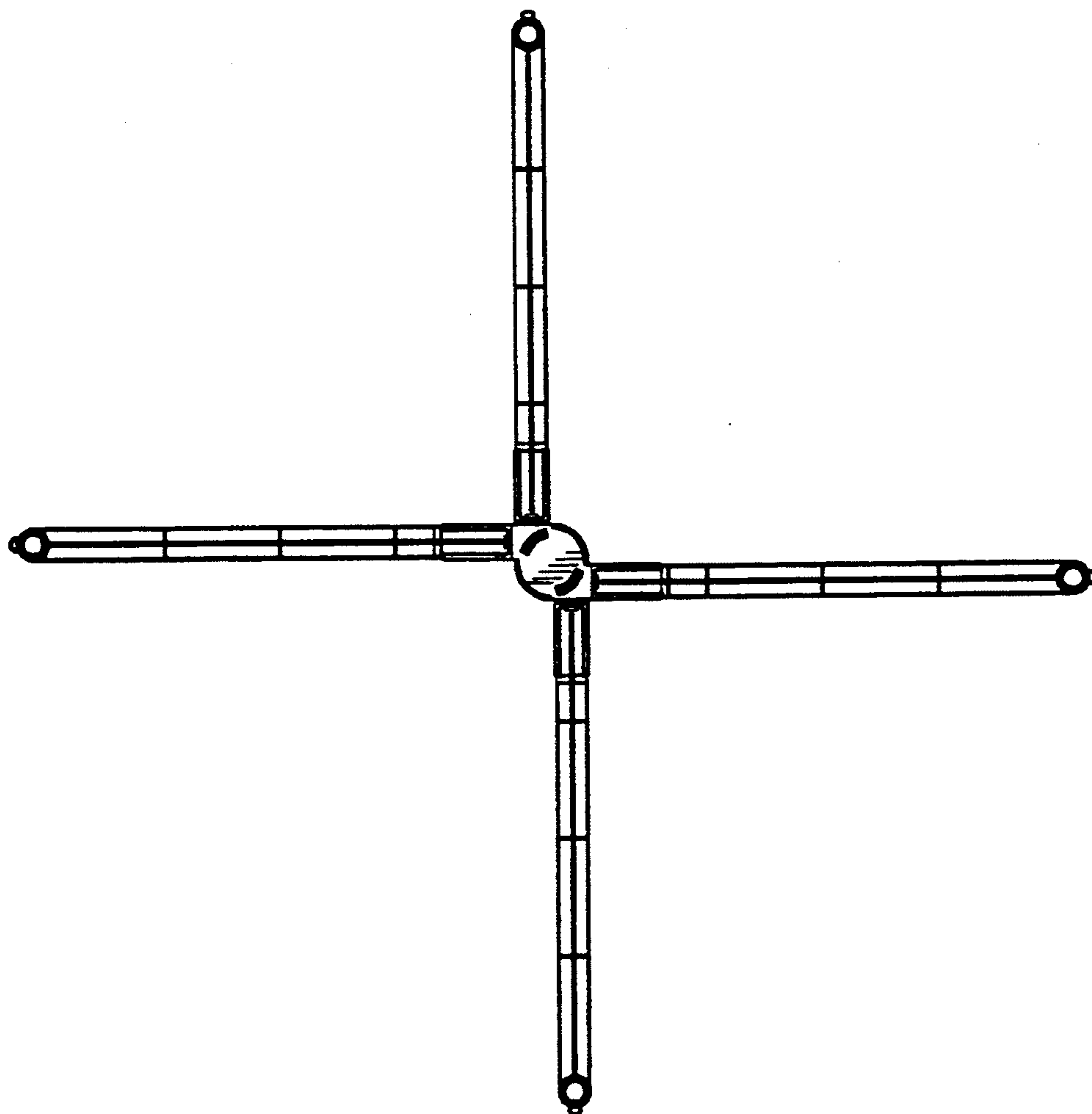


FIG. 2

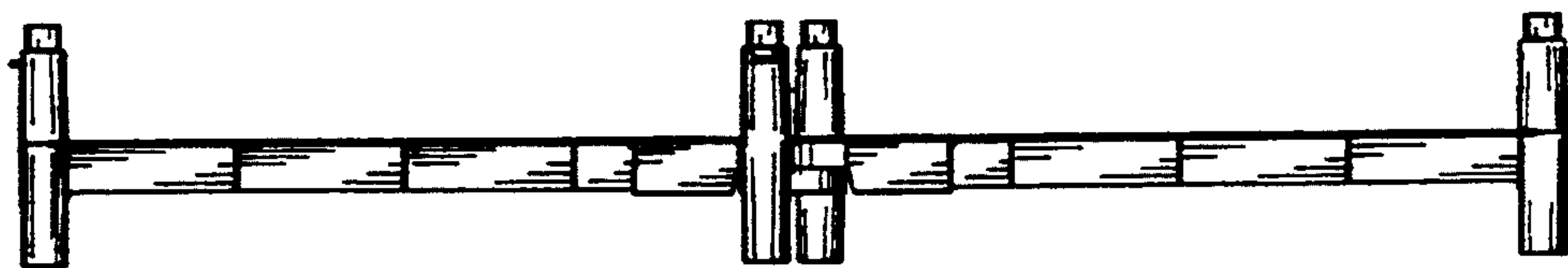


FIG. 4

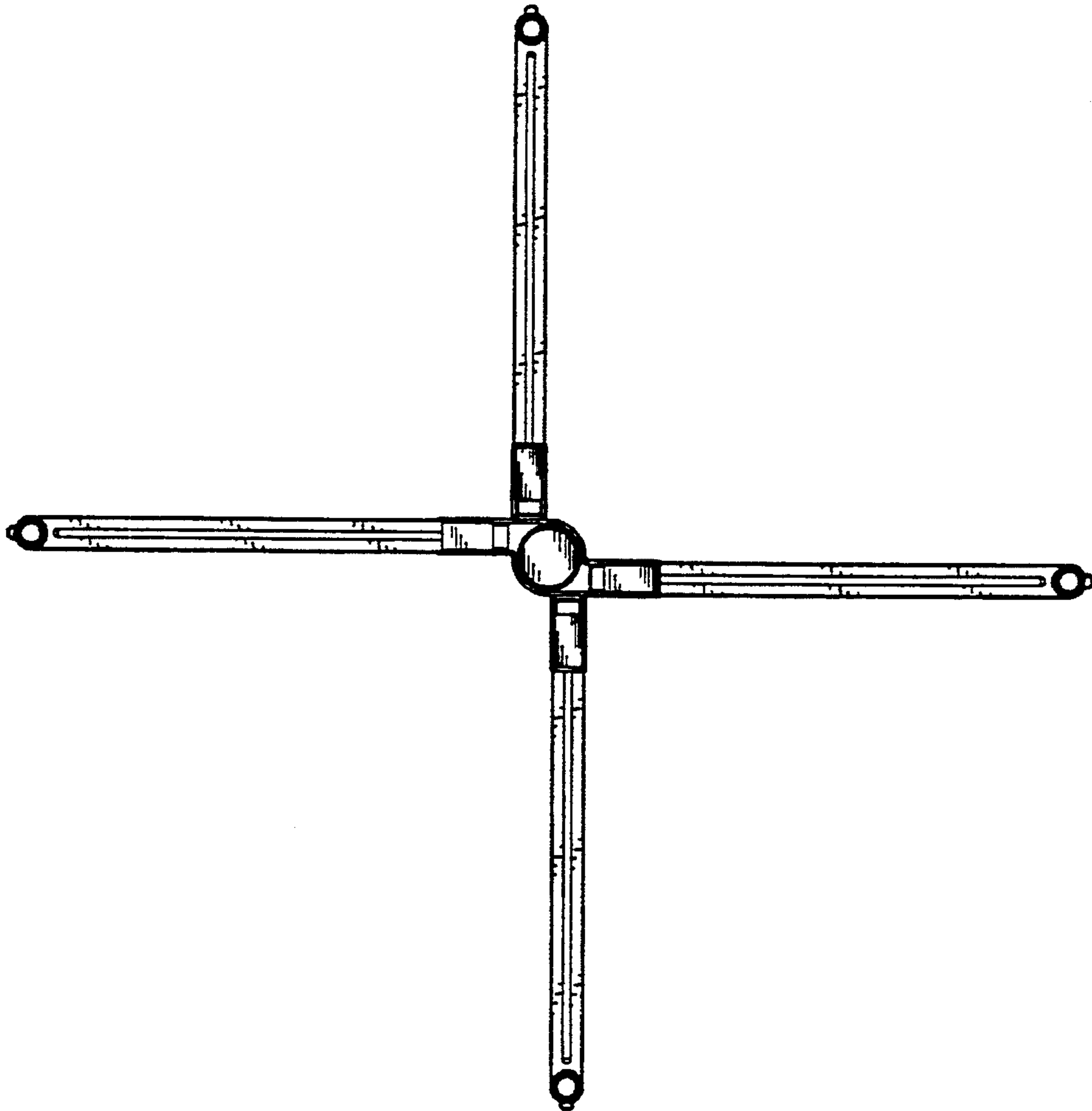


FIG. 3

