



US00D355734S

United States Patent [19] Goble

[11] Patent Number: Des. 355,734

[45] Date of Patent: ** Feb. 21, 1995

[54] CLEANER FOR SHOES AND BOOTS

4,617,917 10/1986 Miller 15/104.92
5,177,829 1/1993 Simpson 15/104.92

[76] Inventor: Rowland H. Goble, 145 W. Crystal
Lake Ave., Lake Mary, Fla.
32746-2913

FOREIGN PATENT DOCUMENTS

63114 7/1892 Germany 15/161
210543 2/1924 United Kingdom 15/161
222054 4/1924 United Kingdom 15/161

[**] Term: 14 Years

[21] Appl. No.: 15,023

Primary Examiner—Cathy Anne MacCormac
Attorney, Agent, or Firm—William M. Hobby, III

[22] Filed: Nov. 8, 1993

[52] U.S. Cl. D32/14.1; 15/161

[57] CLAIM

[58] Field of Search 15/161, 104.92;
D32/14.1

The ornamental design for a cleaner for shoes and boots, design as shown.

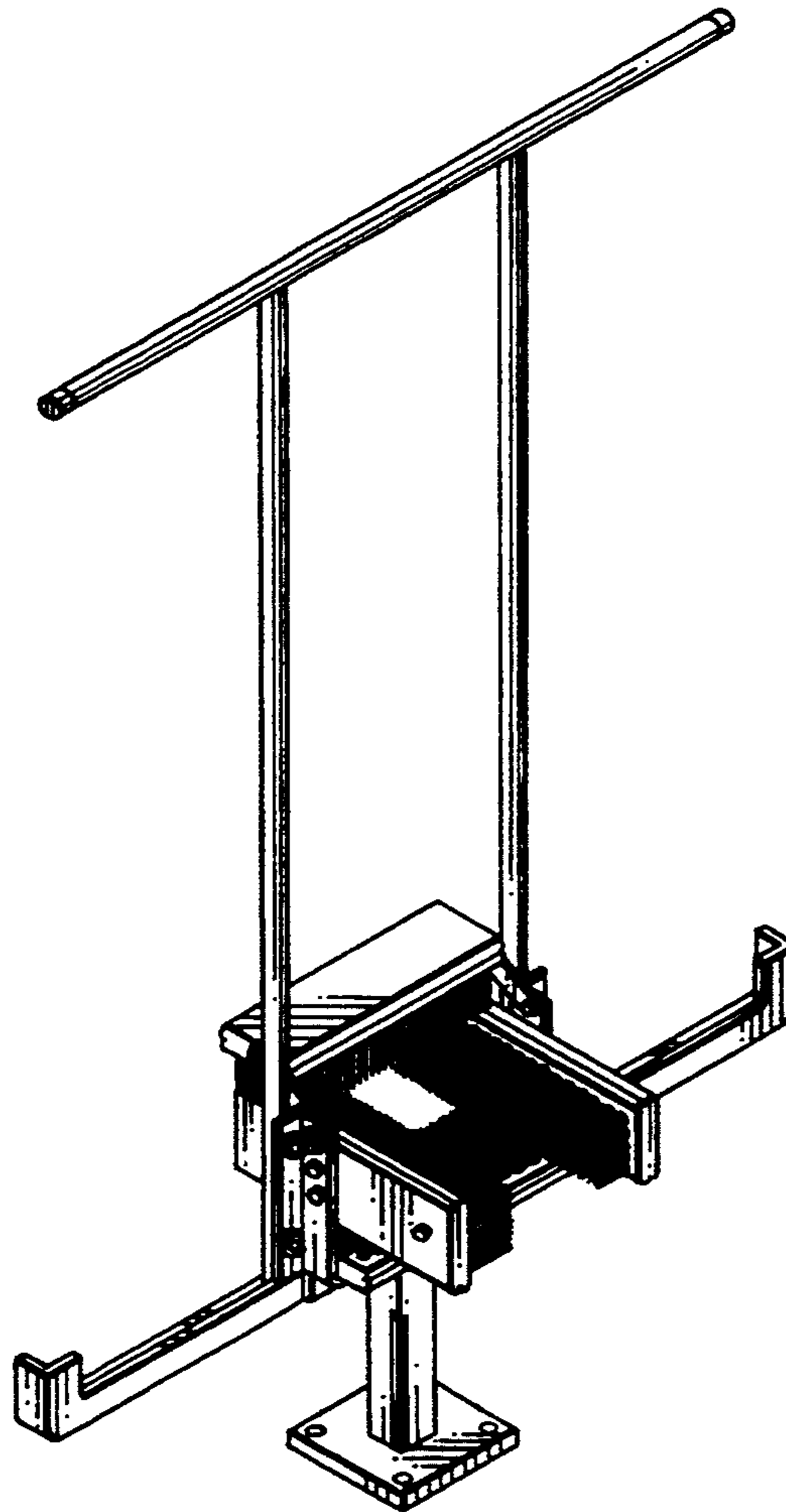
[56] References Cited

DESCRIPTION

U.S. PATENT DOCUMENTS

D. 78,033 3/1929 Lewis D32/14.1
D. 202,463 10/1965 Leonard D32/14.1
D. 206,054 10/1966 Drebbholz D32/14.1
747,031 12/1903 Bartoszek 15/161
922,479 5/1909 Henry 15/161
1,114,944 10/1914 Varga 15/161
4,532,668 8/1985 Slonicki 15/161

FIG. 1 is a front side perspective view of my new cleaner for shoes and boots;
FIG. 2 is a front elevation;
FIG. 3 is a top plan view;
FIG. 4 is a bottom plan view;
FIG. 5 is a rear elevation;
FIG. 6 is a left side elevation; and,
FIG. 7 is a right side elevation.



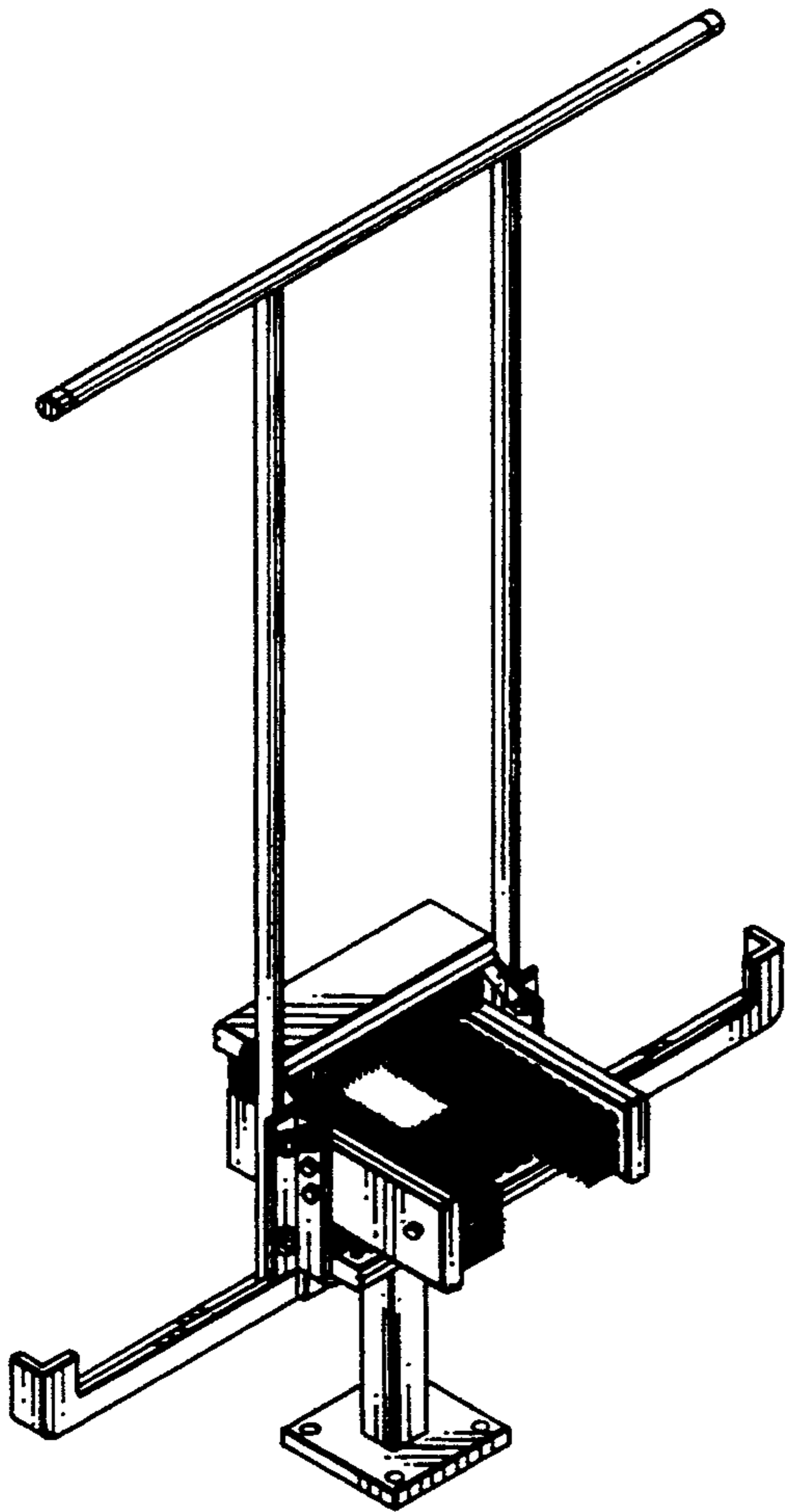


FIG. 1

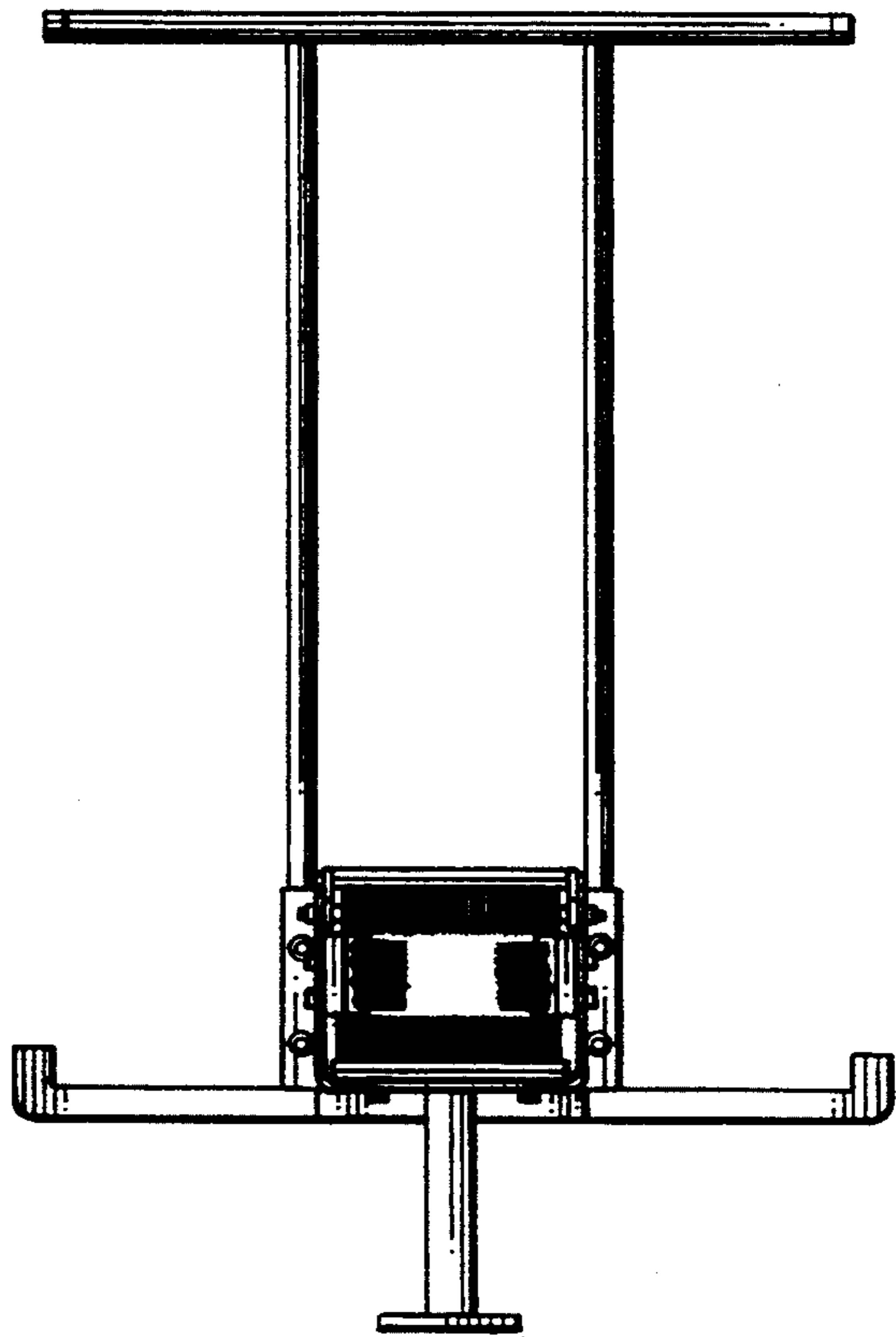


FIG. 2

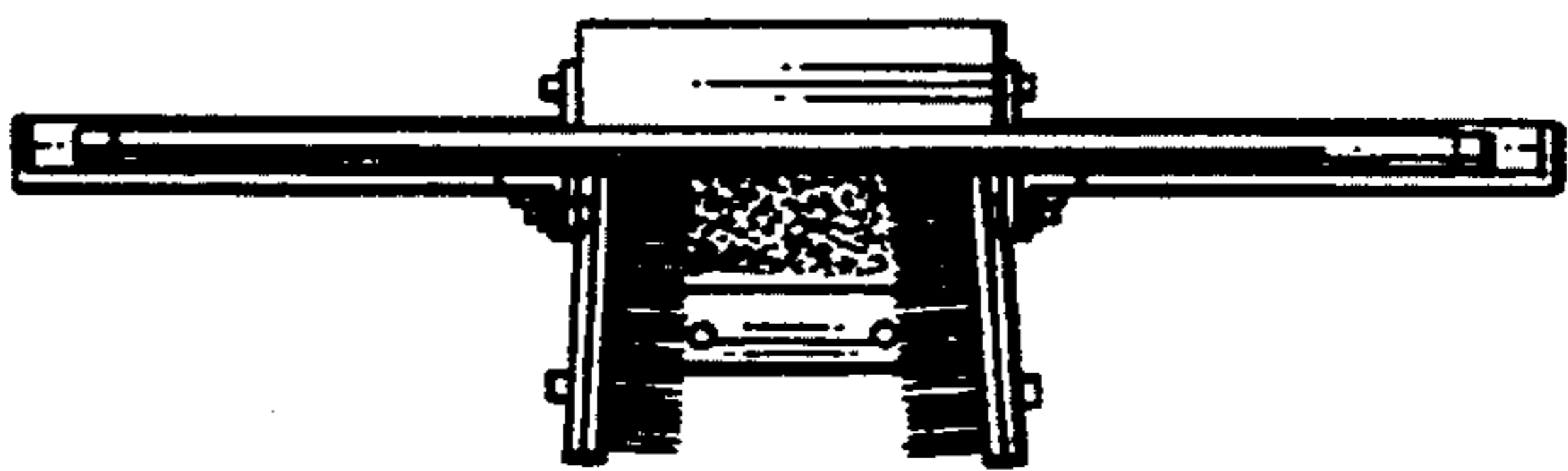


FIG. 3

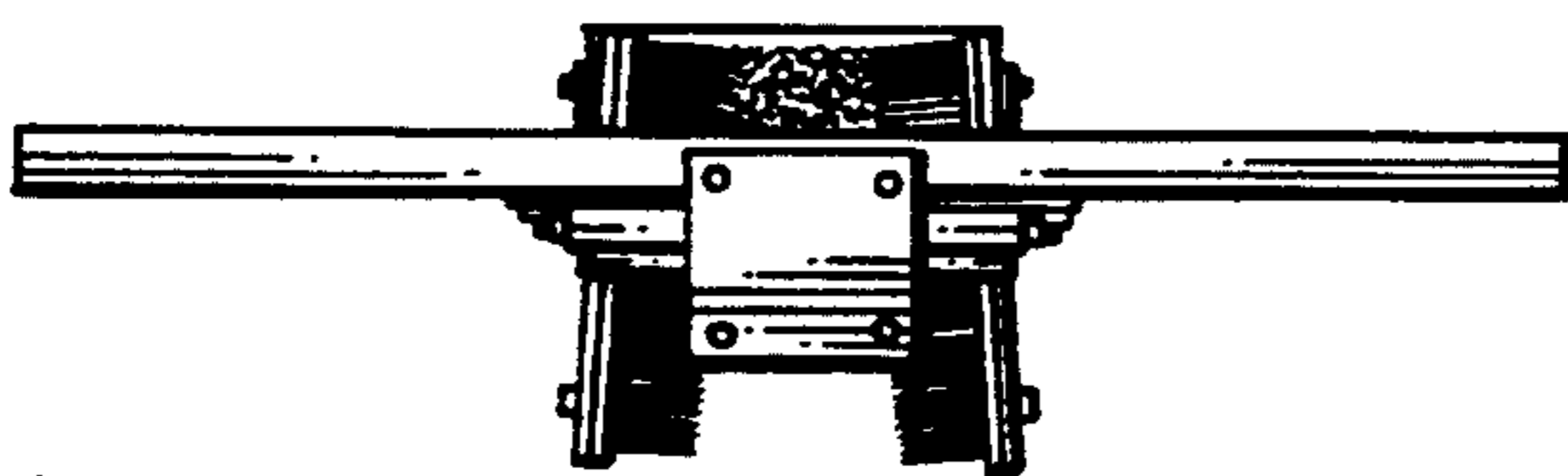


FIG. 4

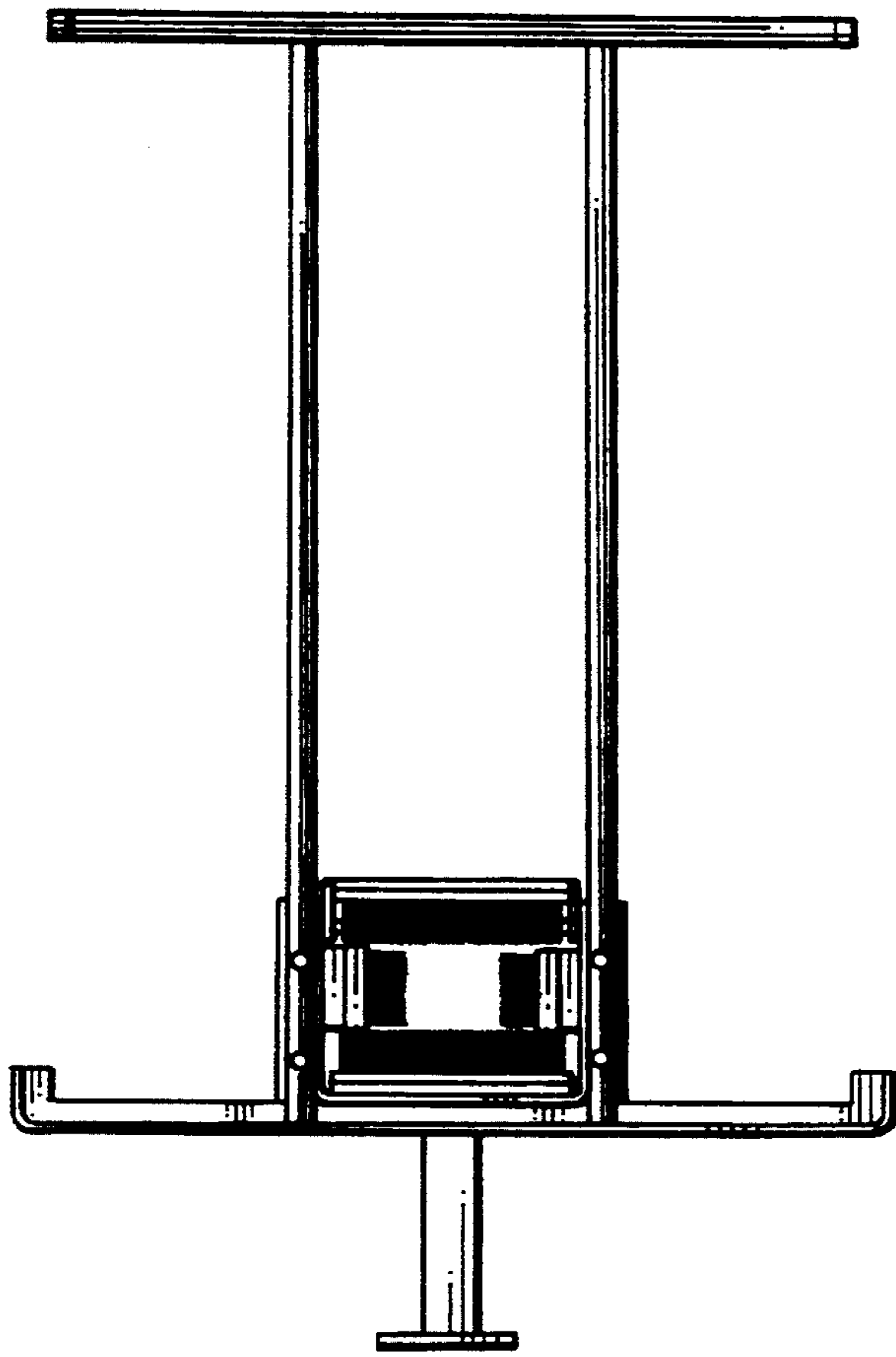


FIG. 5

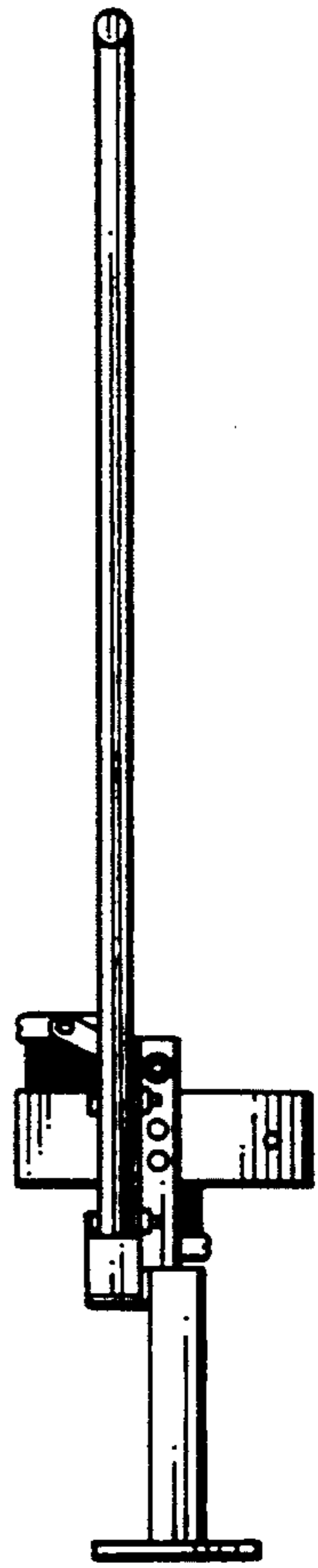


FIG. 6

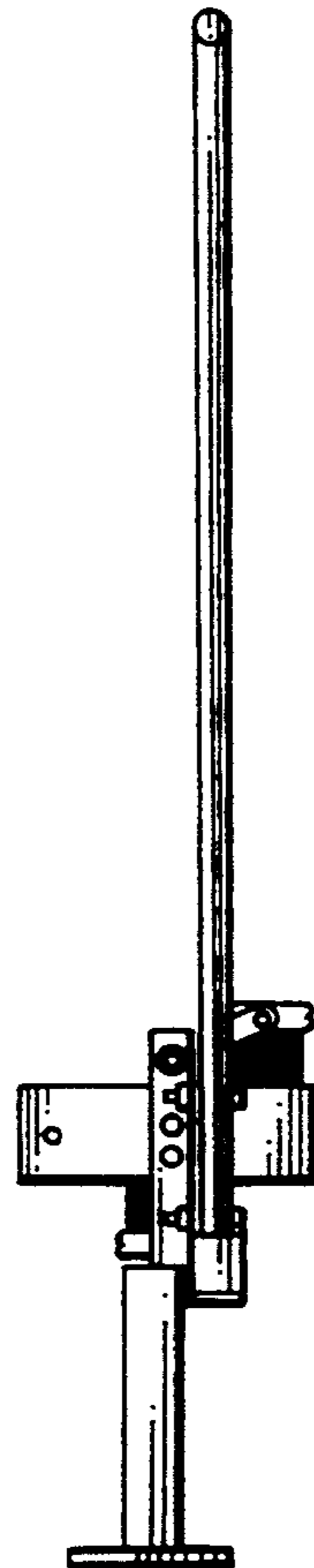


FIG. 7