



US00D355723S

United States Patent [19]

[11] Patent Number: **Des. 355,723**

Roos et al.

[45] Date of Patent: **** Feb. 21, 1995**

[54] **FLYBACK LAMPHOLDER FOR USE ON TRACK**

Attorney, Agent, or Firm—Anthony S. Zummer

[75] Inventors: **Scott L. Roos**, Glenview; **John J. O'Rourke**, Downers Grove, both of Ill.

[57] **CLAIM**

The ornamental design for a flyback lampholder for use on track, as shown and described.

[73] Assignee: **Juno Lighting, Inc.**, Des Plaines, Ill.

DESCRIPTION

[**] Term: **14 Years**

FIG. 1 is a perspective view of the flyback lampholder for use on track showing our design with a lamp shown in phantom;

[21] Appl. No.: **24,151**

FIG. 2 is a front elevational view of the flyback lampholder for use on track shown in FIG. 1;

[22] Filed: **May 31, 1994**

FIG. 3 is a left side elevational view of the flyback lampholder for use on track shown in FIG. 1;

[52] U.S. Cl. **D26/63**

FIG. 4 is a right side elevational view of the flyback lampholder for use on track shown in FIG. 1;

[58] Field of Search **D26/60, 61, 63, 64, D26/65, 66; 362/269, 270, 271, 275, 418, 419, 427, 404**

FIG. 5 is a rear elevational view of the flyback lampholder for use on track shown in FIG. 1;

[56] **References Cited**

U.S. PATENT DOCUMENTS

D. 315,420 3/1991 Layne **D26/63**

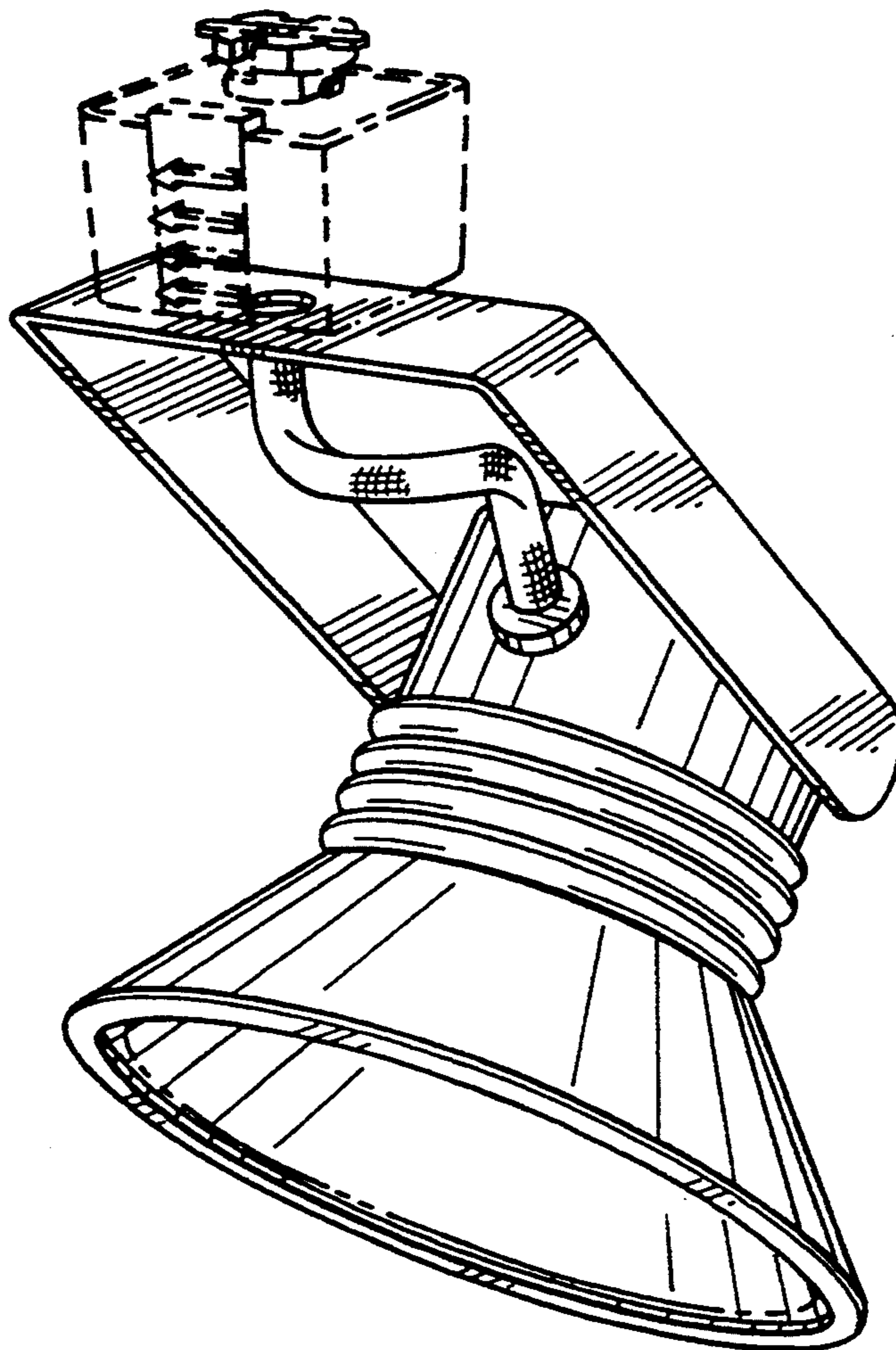
D. 325,789 4/1992 Atkinson **D26/63**

FIG. 6 is a top view of the flyback lampholder for use on track shown in FIG. 1; and,

FIG. 7 is a bottom view of the flyback lampholder for use on track shown in FIG. 1.

The broken lines are shown for illustrative purposes only and form no part of the claimed design.

Primary Examiner—Susan J. Lucas



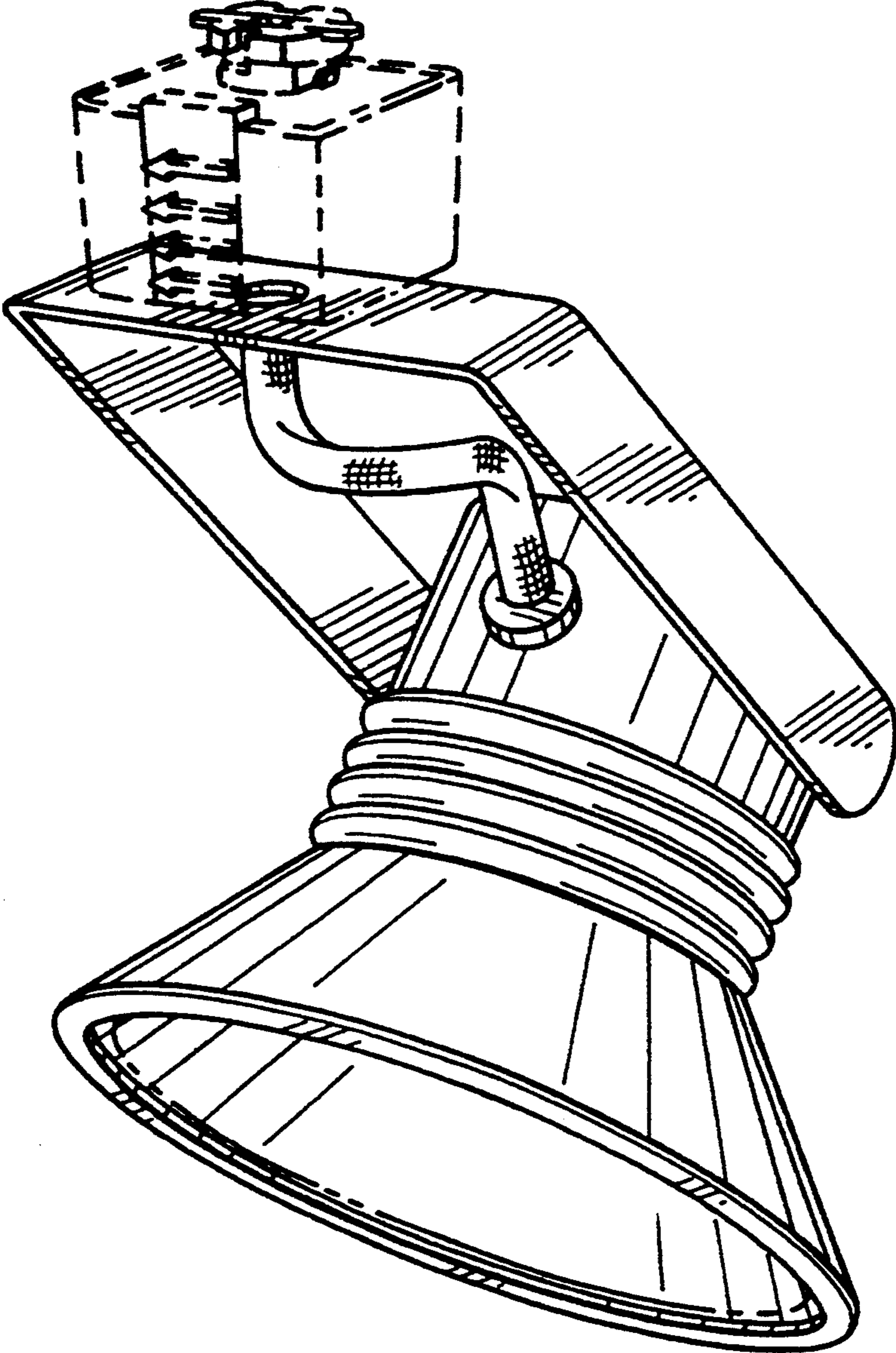


FIG. 1

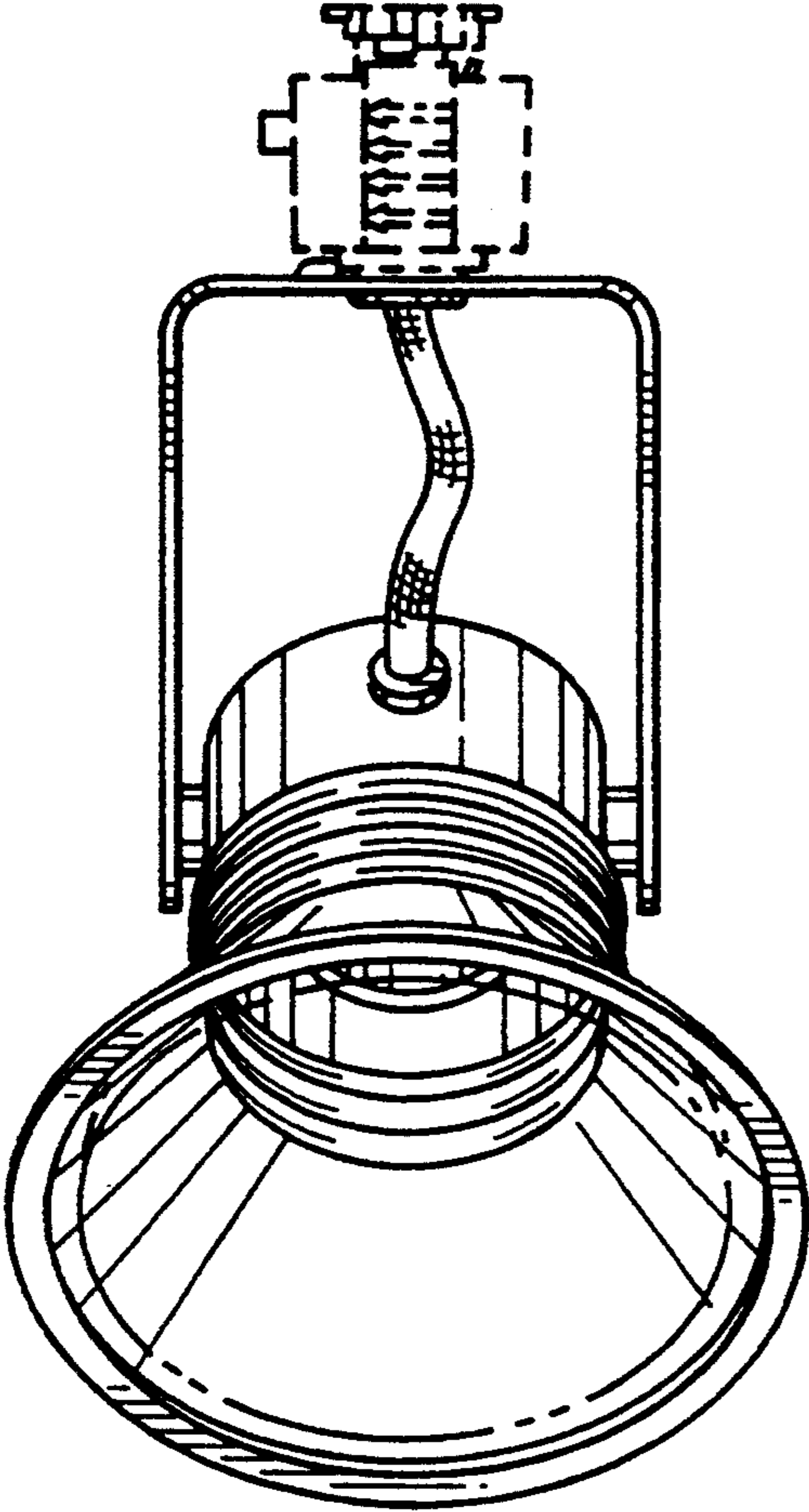


FIG. 2

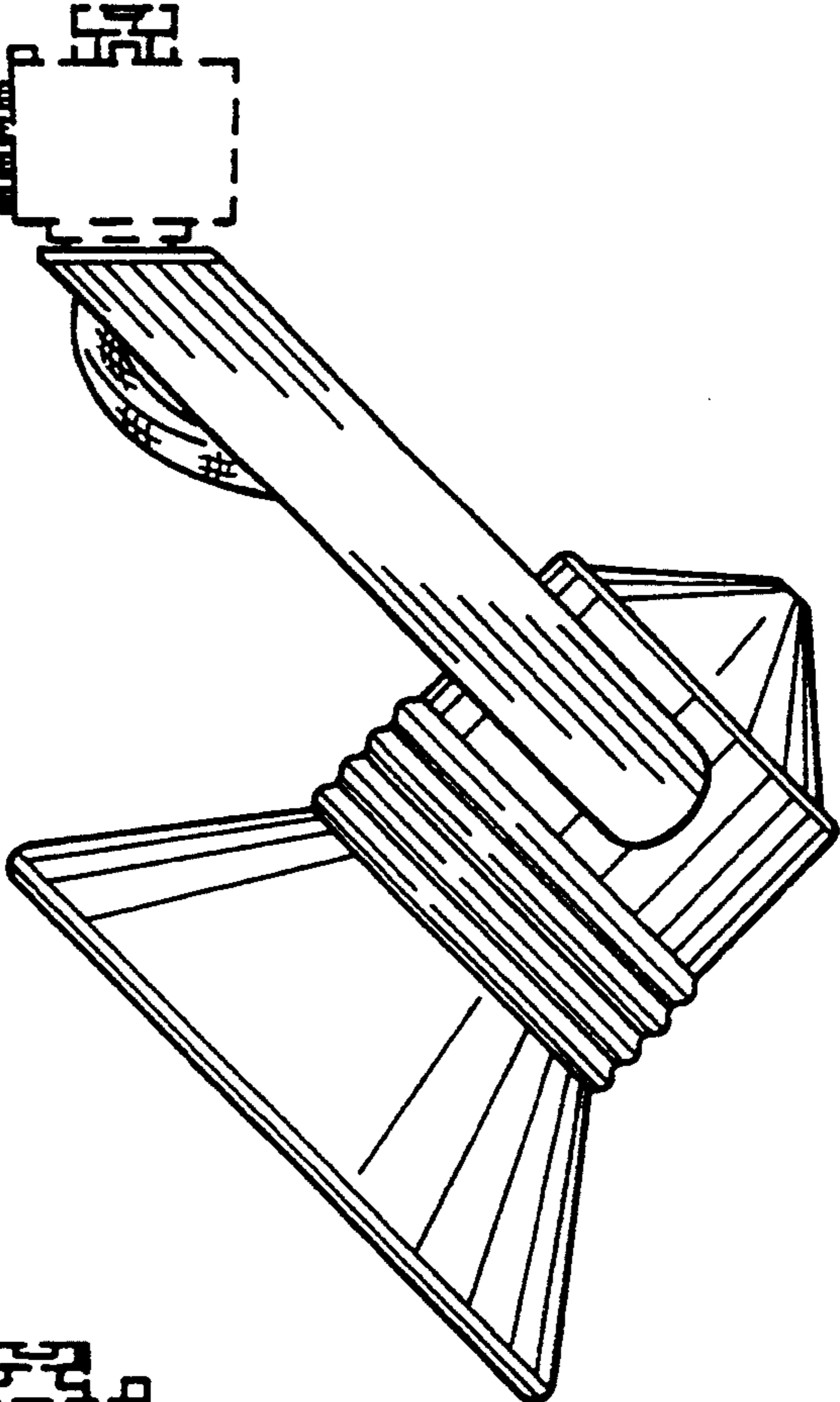


FIG. 3

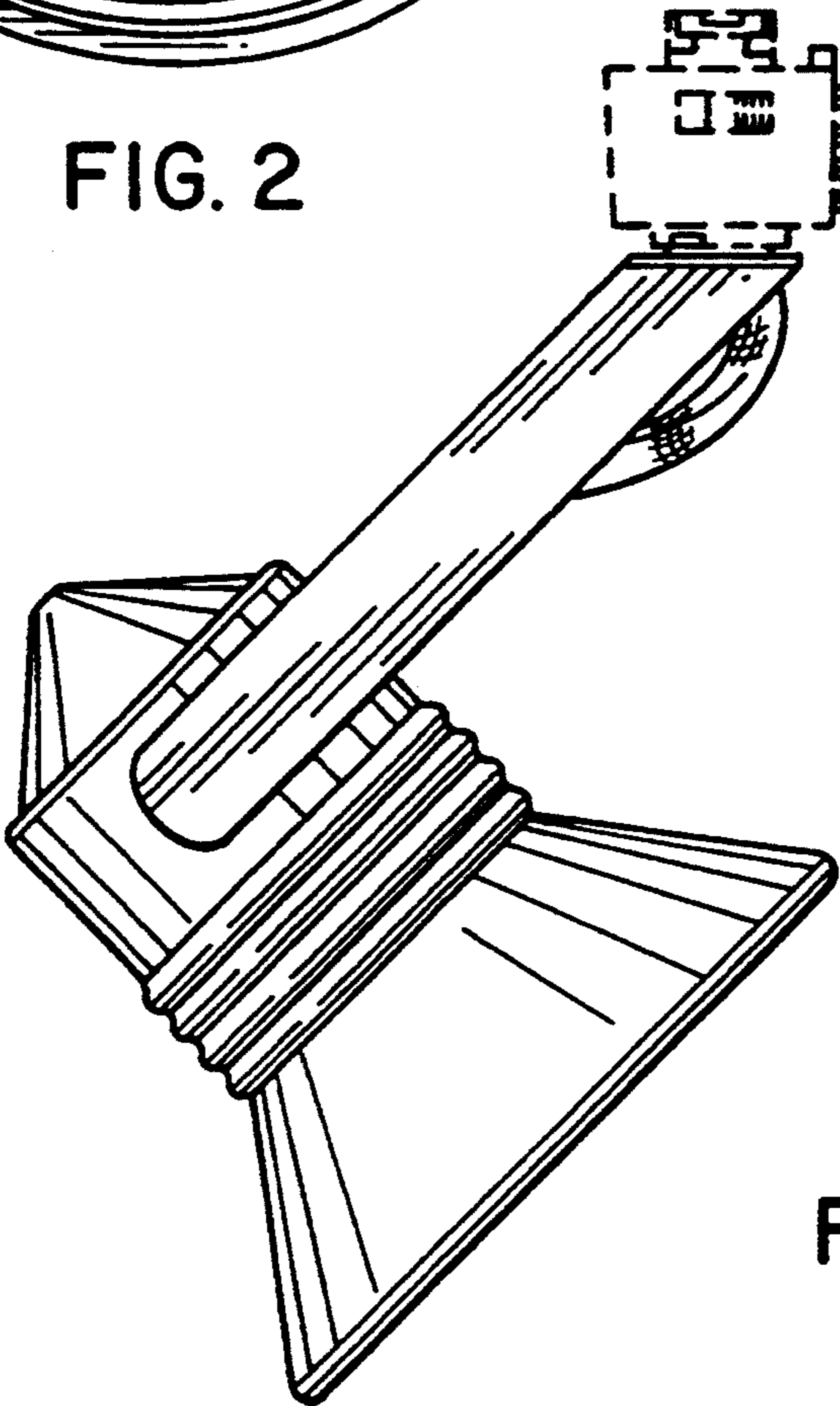


FIG. 4

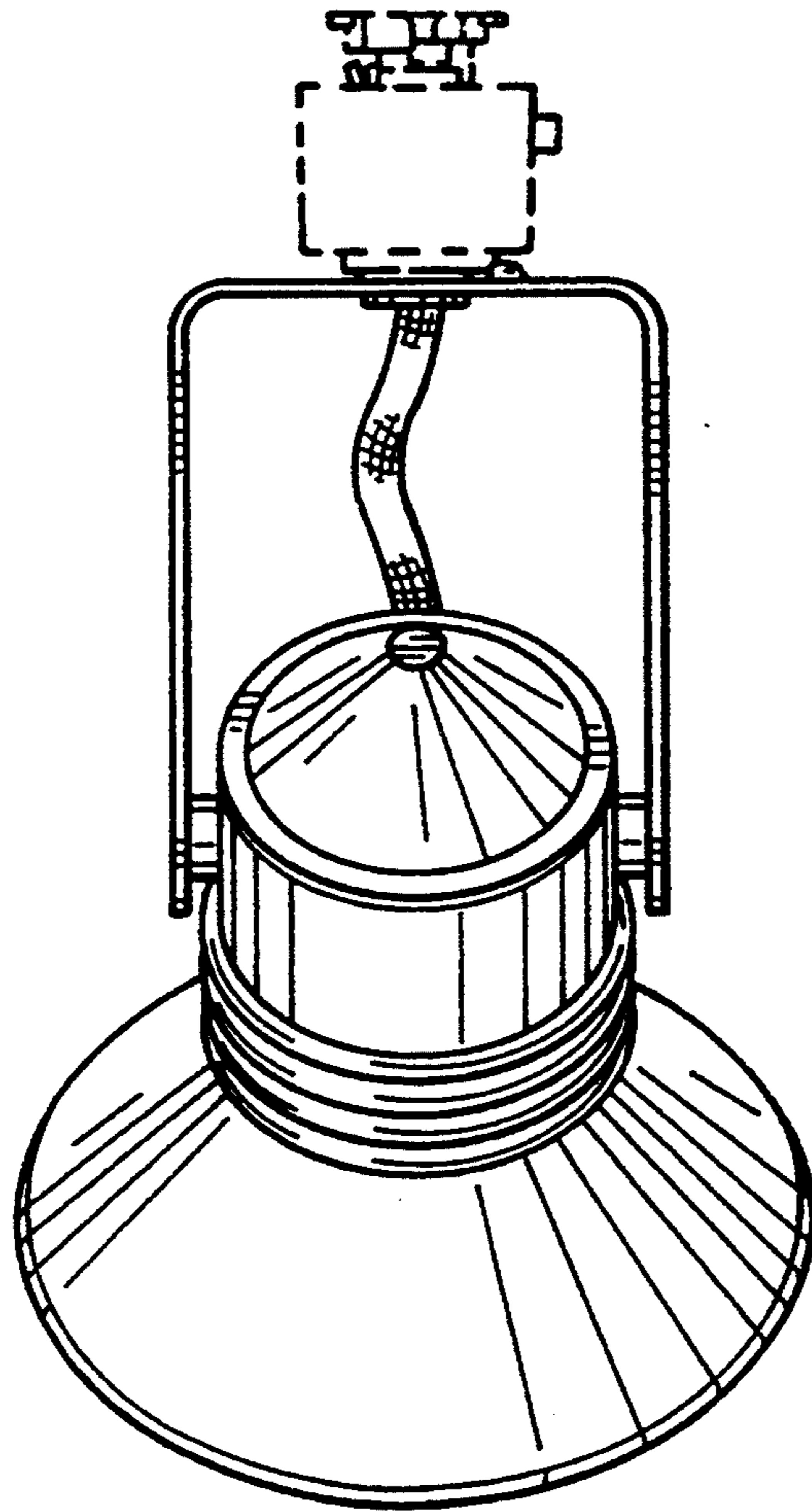


FIG. 5

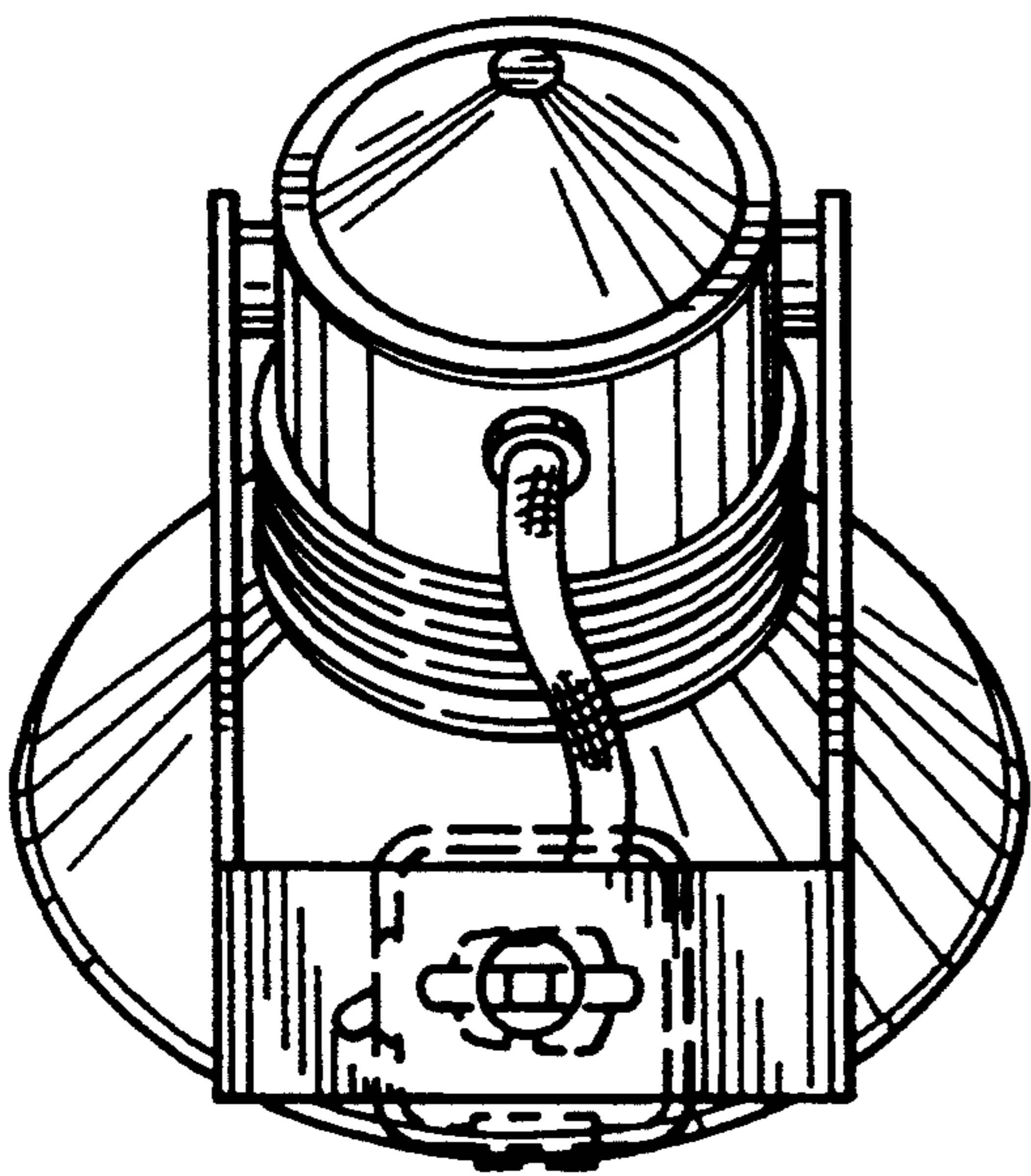


FIG. 6

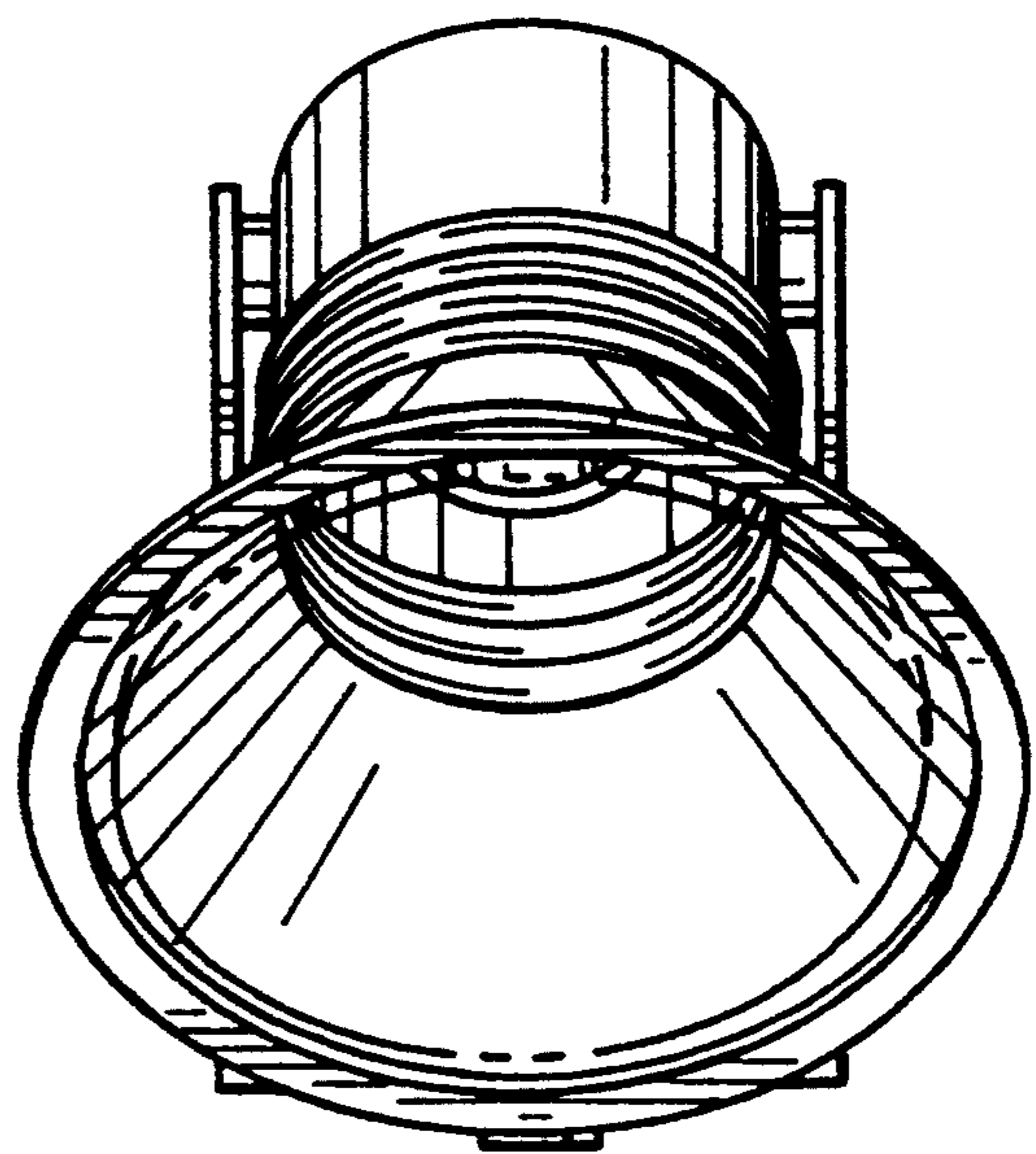


FIG. 7