



US00D355722S

United States Patent [19]

[11] Patent Number: **Des. 355,722**

Roos et al.

[45] Date of Patent: **** Feb. 21, 1995**

[54] **CYLINDRICAL LAMPHOLDER IN U-SHAPED WIRE HOLDER FOR USE ON TRACK**

U-shaped wire holder for use on track, as shown and described.

[75] Inventors: **Scott L. Roos**, Glenview; **John J. O'Rourke**, Downers Grove, both of Ill.

DESCRIPTION

[73] Assignee: **Juno Lighting, Inc.**, Des Plaines, Ill.

FIG. 1 is a perspective view of the cylindrical lampholder in U-shaped wire holder for use on track showing our design;

[**] Term: **14 Years**

FIG. 2 is a front elevational view of the cylindrical lampholder in U-shaped wire holder for use on track shown in FIG. 1;

[21] Appl. No.: **23,741**

FIG. 3 is a left side elevational view of the cylindrical lampholder in U-shaped wire holder for use on track shown in FIG. 1;

[22] Filed: **May 31, 1994**

[52] U.S. Cl. **D26/63**

FIG. 4 is a right side elevational view of the cylindrical lampholder in U-shaped wire holder for use on track shown in FIG. 1;

[58] Field of Search **D26/60, 61, 63, 64, D26/65, 66; 362/269, 271, 272, 275, 418, 419, 427, 404**

FIG. 5 is a rear elevational view of the cylindrical lampholder in U-shaped wire holder for use on track shown in FIG. 1;

[56] References Cited

U.S. PATENT DOCUMENTS

D. 313,481 1/1991 Fremont et al. D26/63
4,931,917 6/1990 Scherf et al. 362/275 X

FIG. 6 is a top view of the cylindrical lampholder in U-shaped wire holder for use on track shown in FIG. 1; and,

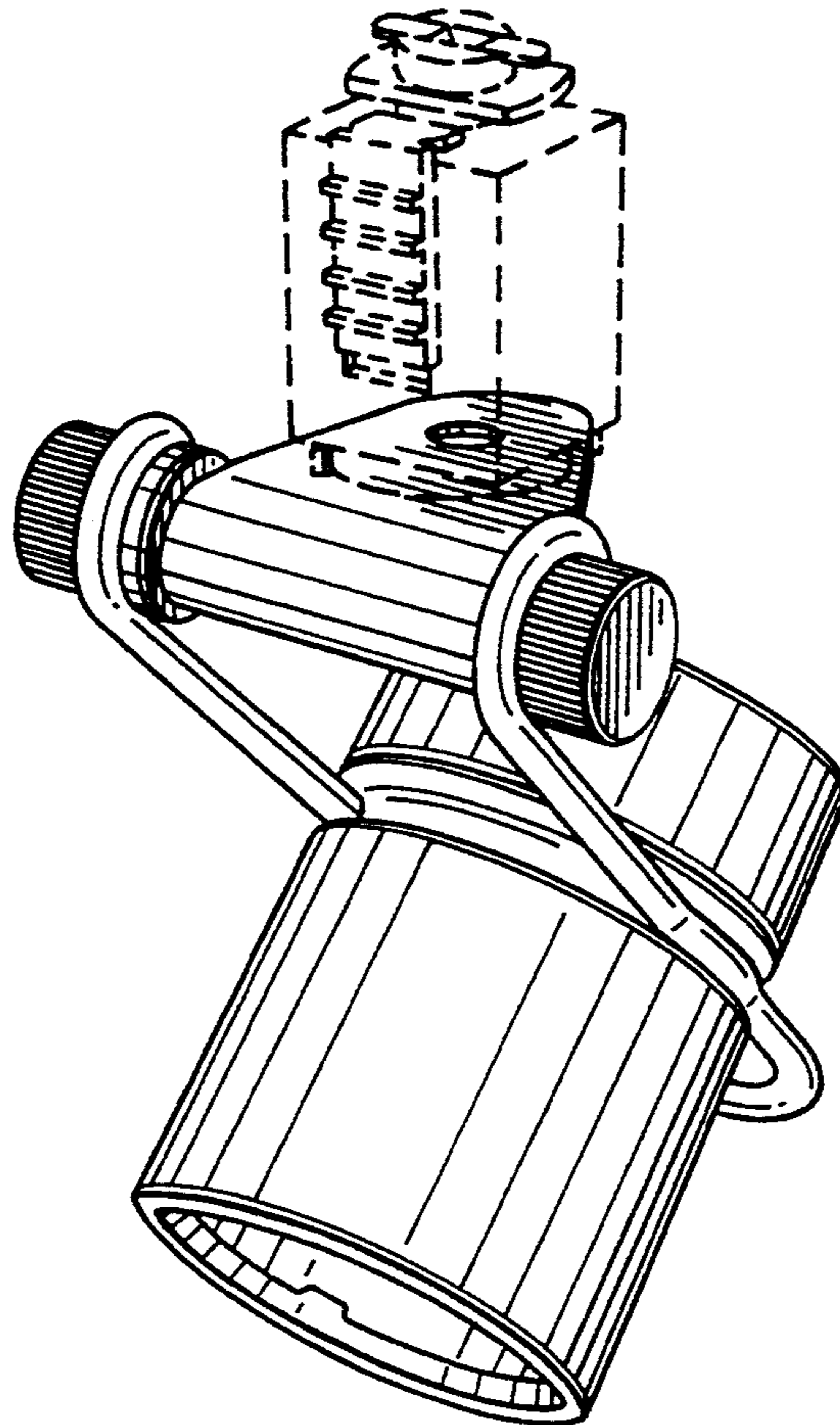
Primary Examiner—Susan J. Lucas

Attorney, Agent, or Firm—Anthony S. Zummer

FIG. 7 is a bottom view of the cylindrical lampholder in U-shaped wire holder for use on track shown in FIG. 1. The broken lines are shown for illustrative purposes only and form no part of the claimed design.

[57] CLAIM

The ornamental design for a cylindrical lampholder in



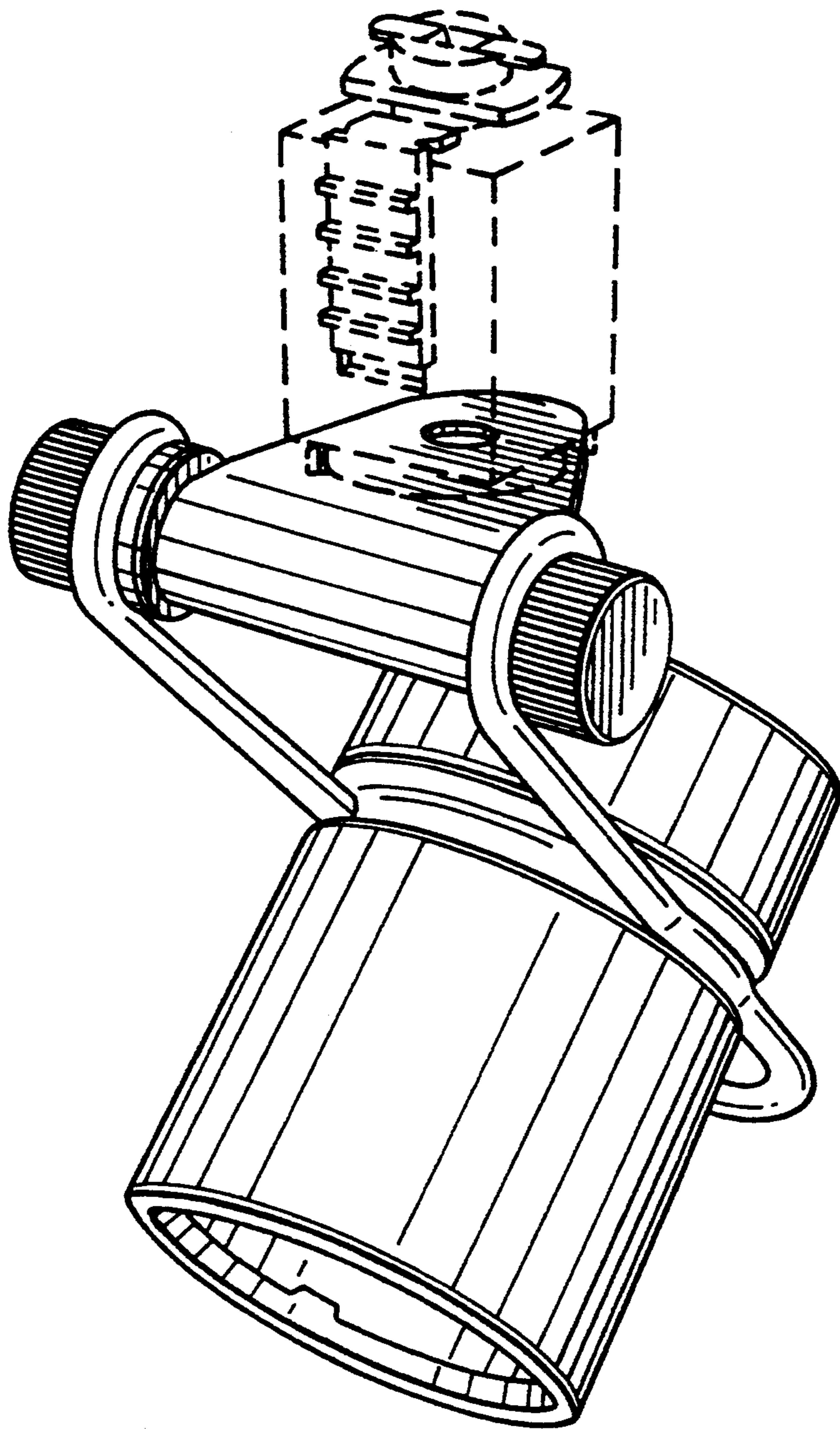


FIG. 1

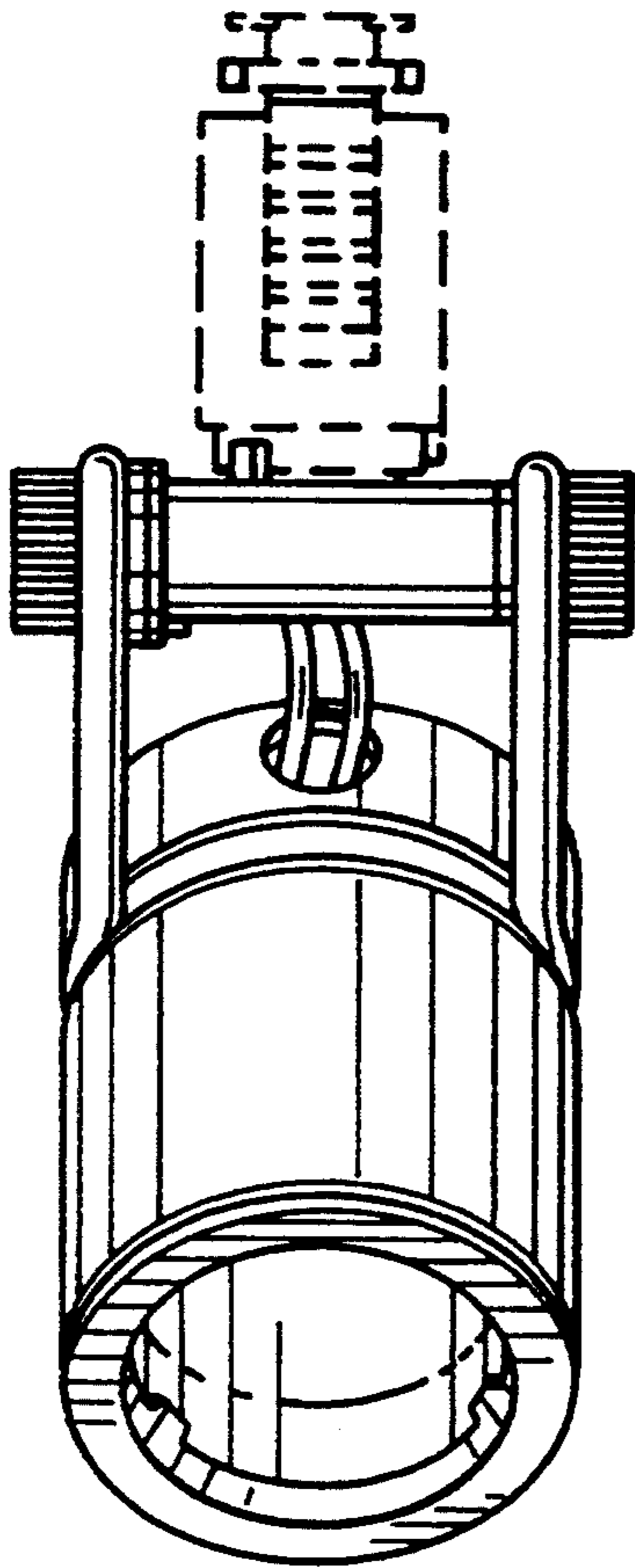


FIG. 2

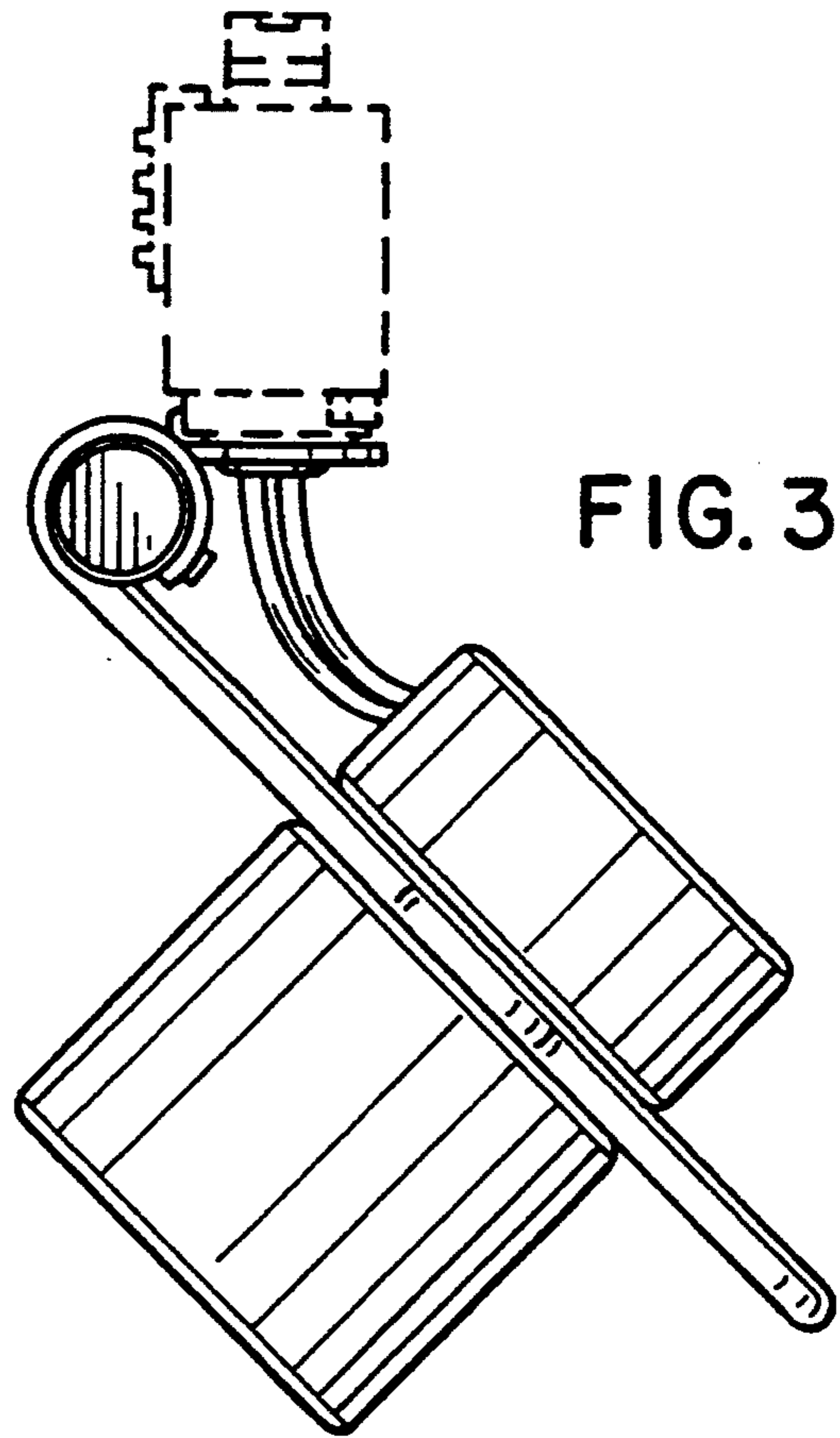


FIG. 3

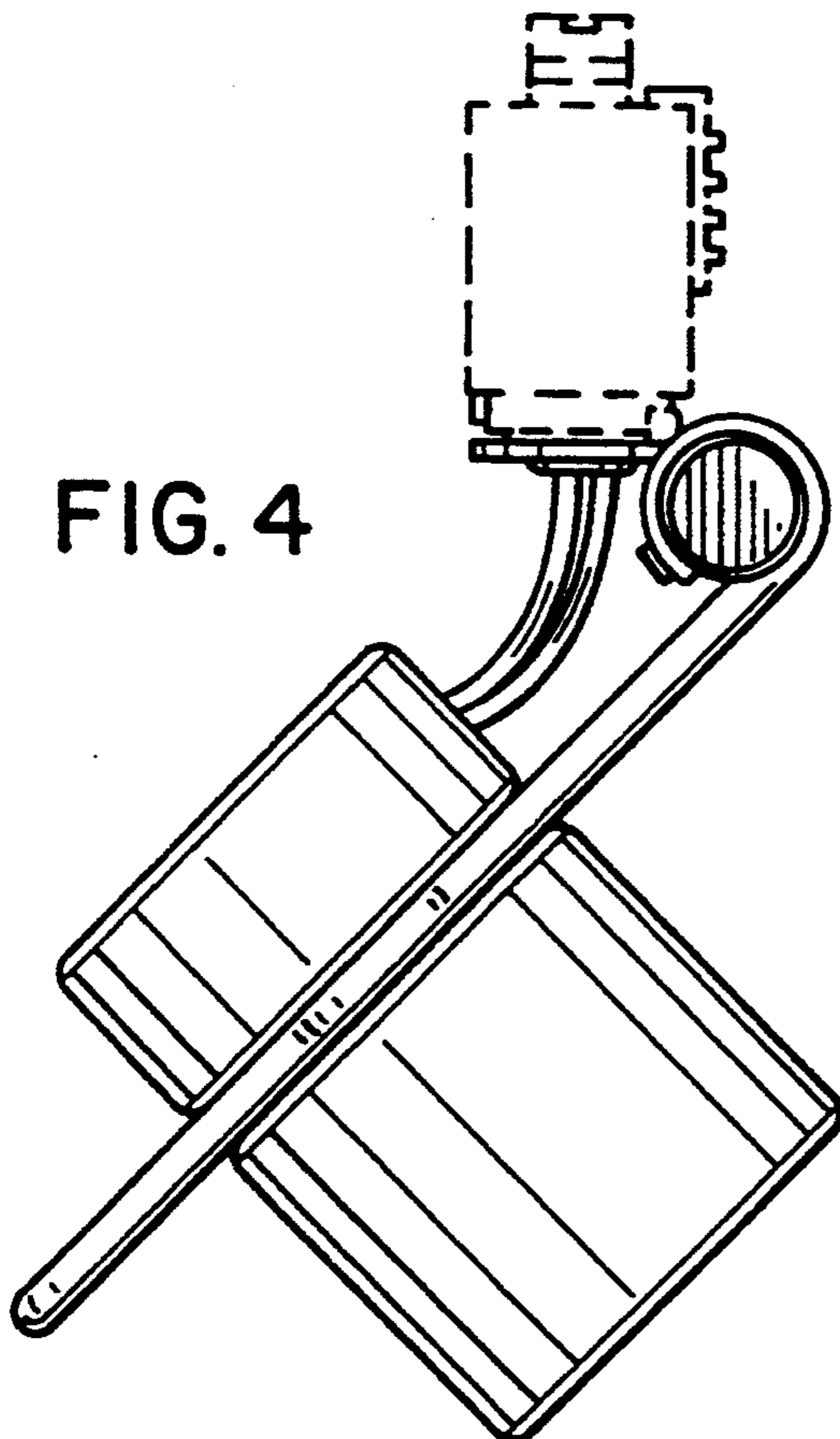


FIG. 4

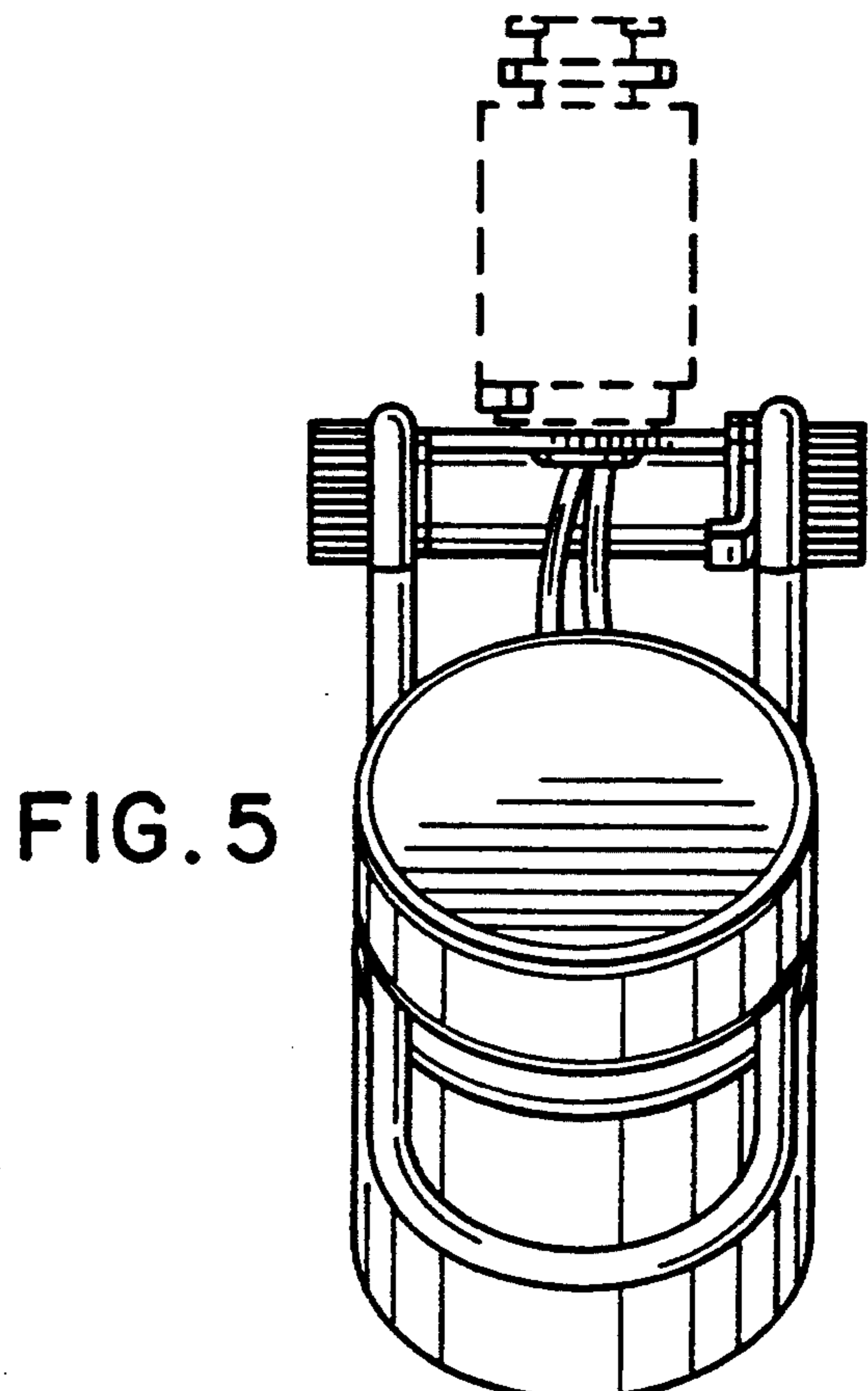


FIG. 5

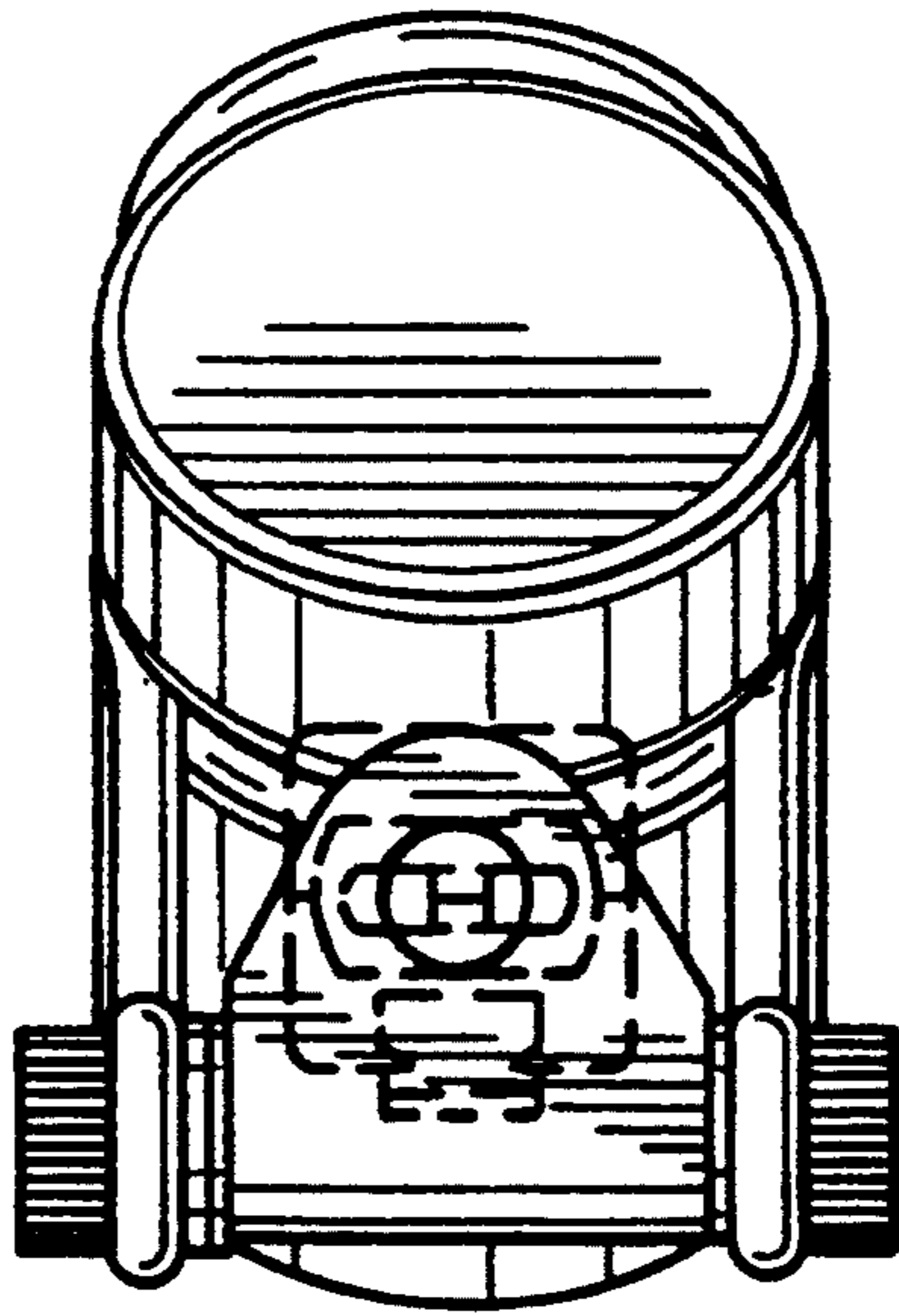


FIG. 6

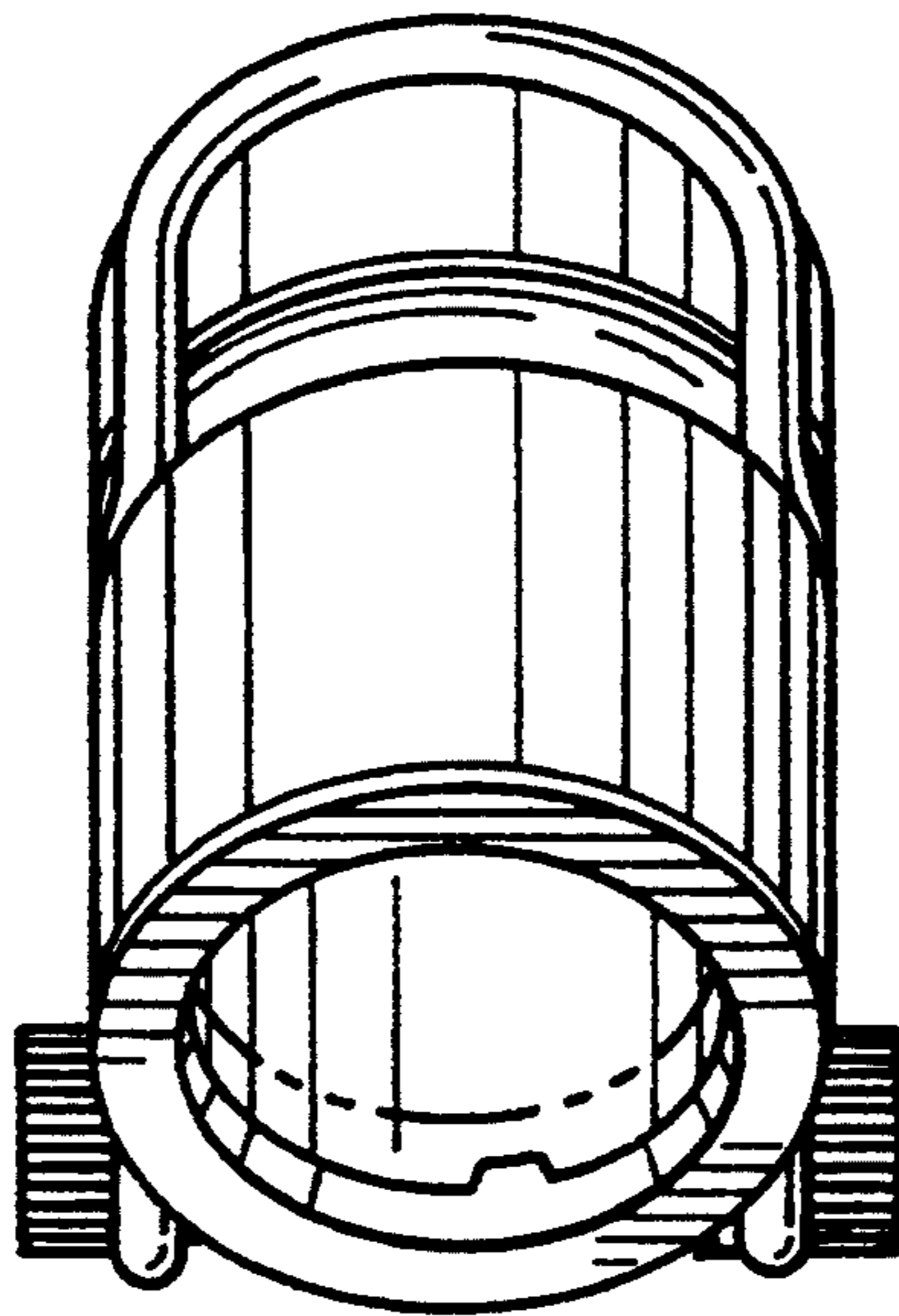


FIG. 7