



US00D355720S

United States Patent [19]
Bancroft

[11] **Patent Number: Des. 355,720**
[45] **Date of Patent: ** Feb. 21, 1995**

[54] **FRAME ELEMENT**

[76] **Inventor: Joseph C. Bancroft**, 102 Sweetwater Club Blvd., Longwood, Fla. 32750

[**] **Term: 14 Years**

[21] **Appl. No.: 11,379**

[22] **Filed: Aug. 2, 1993**

[52] **U.S. Cl. D25/124**

[58] **Field of Search D25/52, 60, 124; 49/DIG. 2, 504-505; 52/204.5, 204.1, 210, 204.55, 204.56, 204.63, 204.6, 214, 204.61, 656.6, 730.3**

[56] **References Cited**

U.S. PATENT DOCUMENTS

D. 308,104	5/1990	Hardy	D25/124
D. 308,106	5/1990	Hardy	D25/124
4,483,099	11/1984	Schmidt	49/504
4,852,312	8/1989	Harbom	52/204.5
4,944,118	7/1990	Bioro	49/DIG. 2

Primary Examiner—Doris Clark
Attorney, Agent, or Firm—Macdonald J. Wiggins

[57] **CLAIM**

The ornamental design for a frame element, as shown and described.

DESCRIPTION

FIG. 1 is a fragmentary top perspective view of the frame element showing my design;
FIG. 2 is a top plan view thereof broken away to indicate indeterminate length;
FIG. 3 is a bottom plan view thereof broken away to indicate indeterminate length;
FIG. 4 is a front elevation view thereof in which the rear elevational view is a mirror image of the front view;
FIG. 5 is a right elevational view thereof broken away to indicate indeterminate length; and,
FIG. 6 is a left elevational view thereof broken away to indicate indeterminate length.

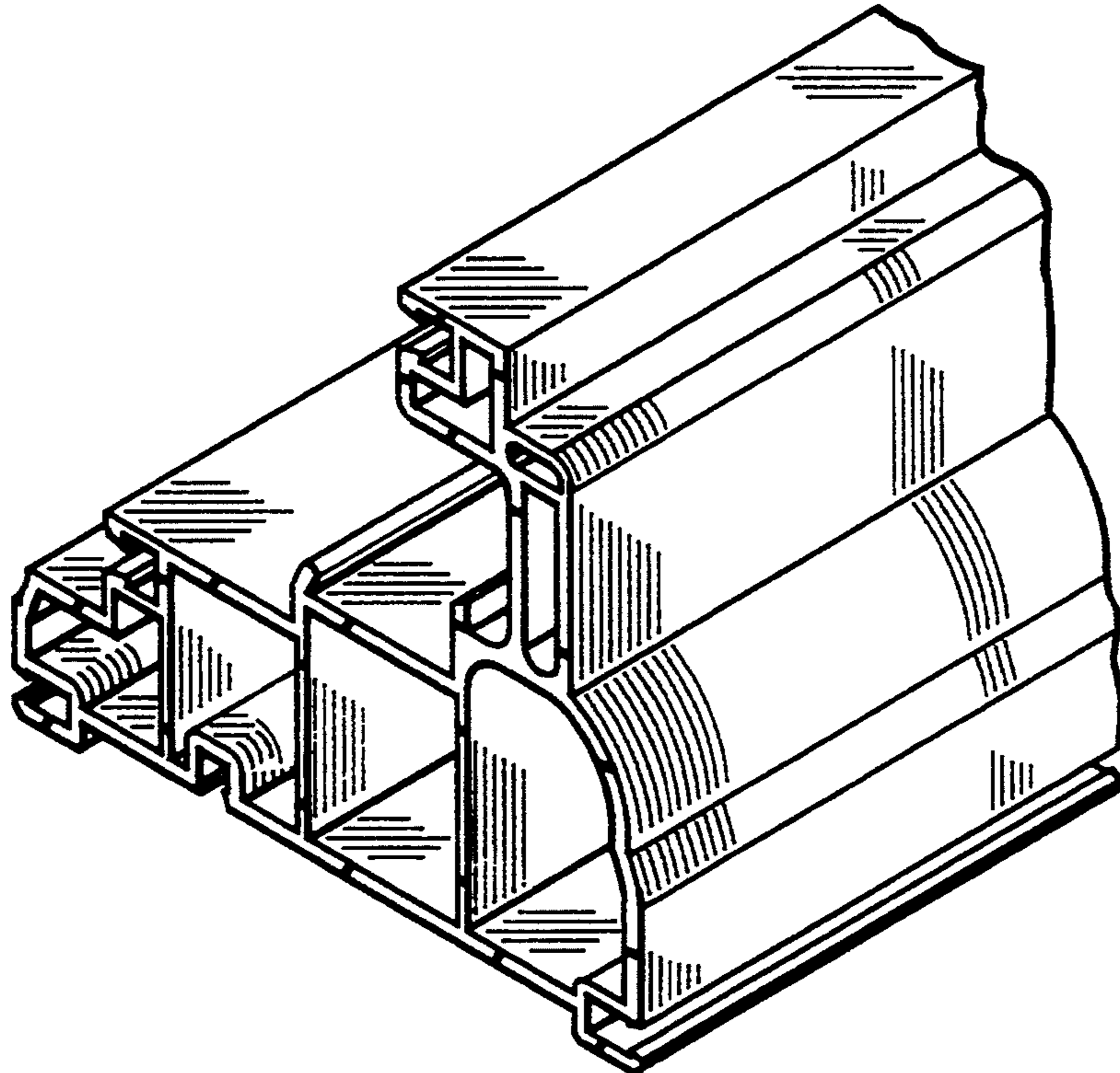


FIG. 1

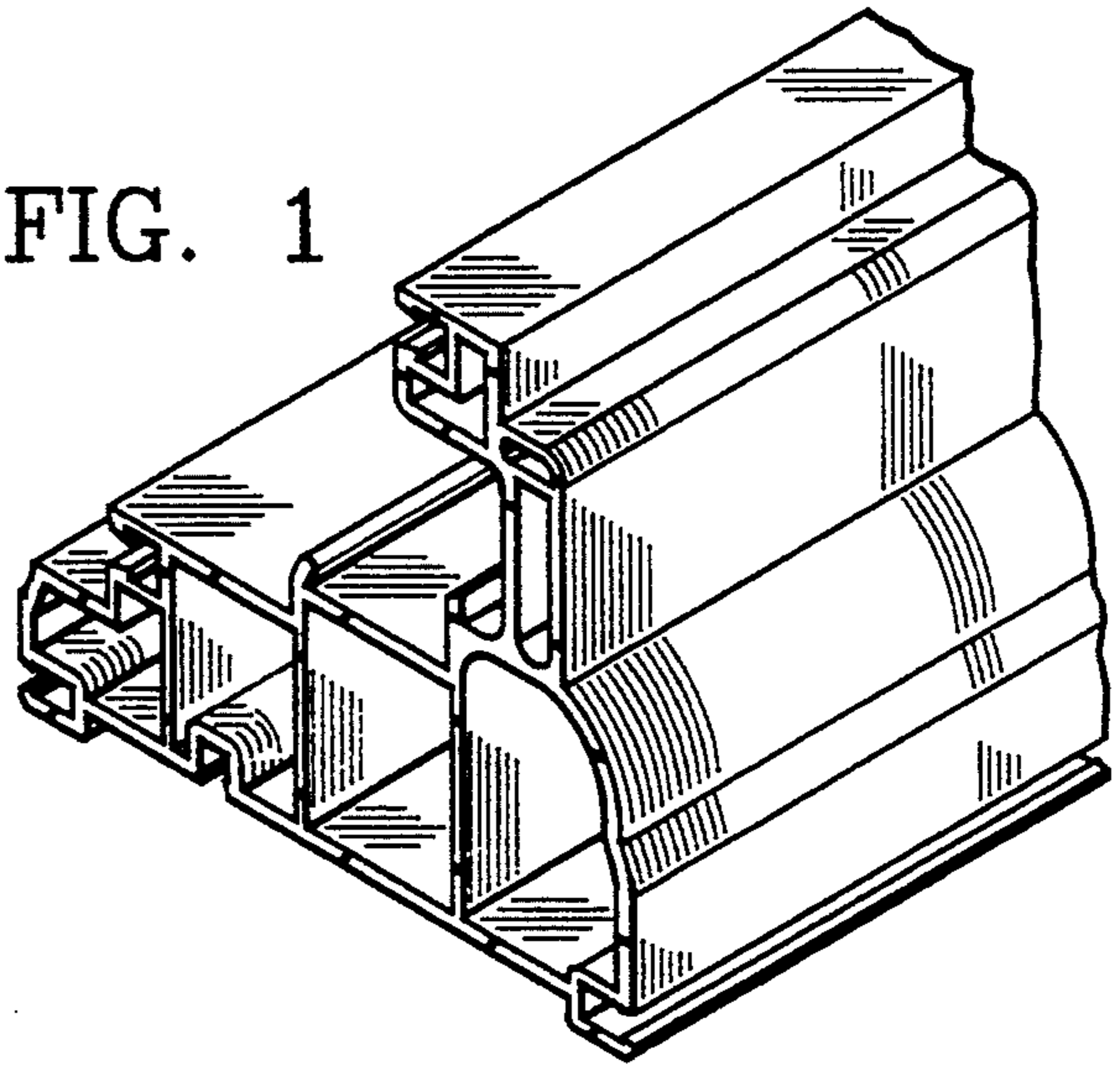


FIG. 2

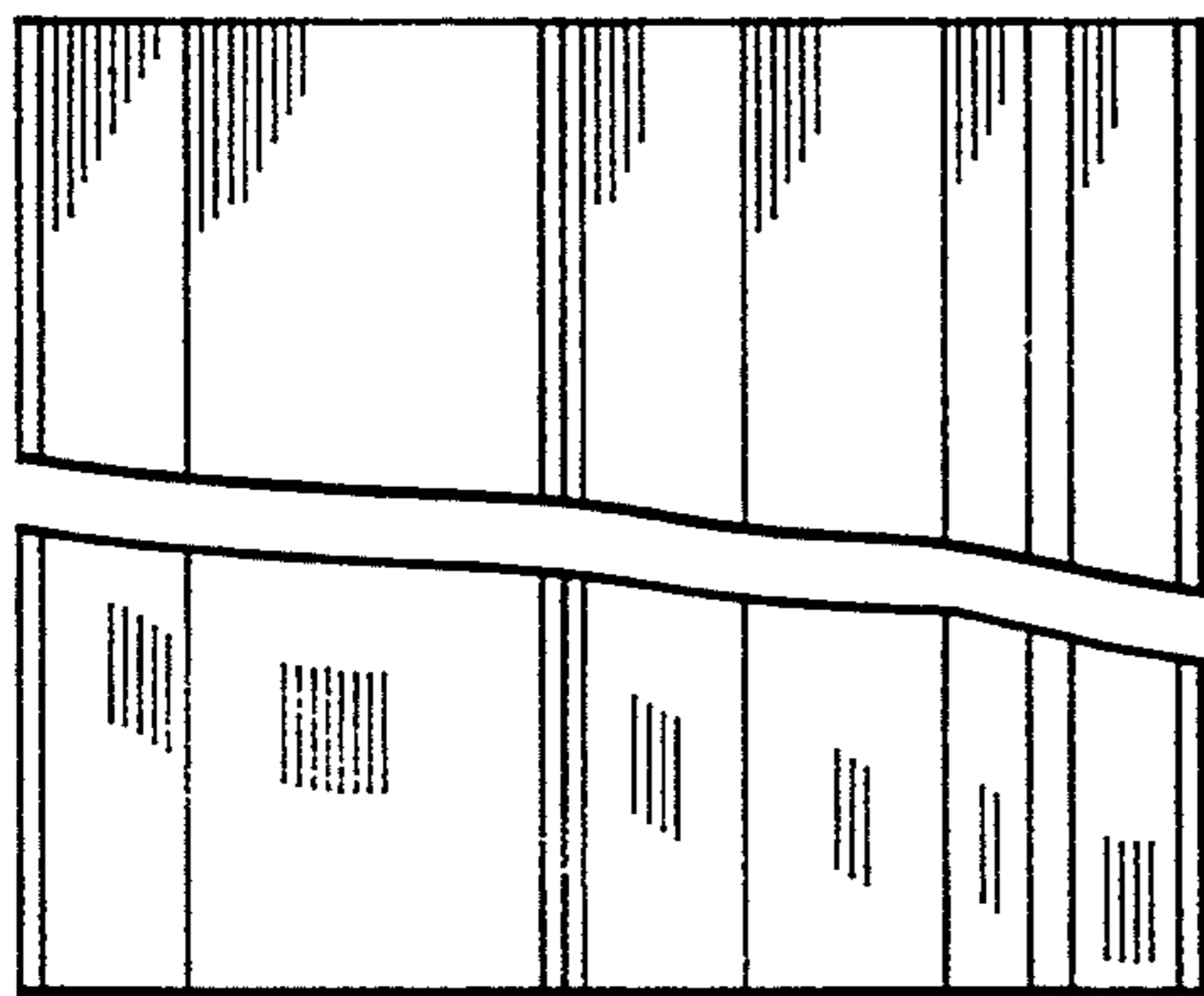


FIG. 3

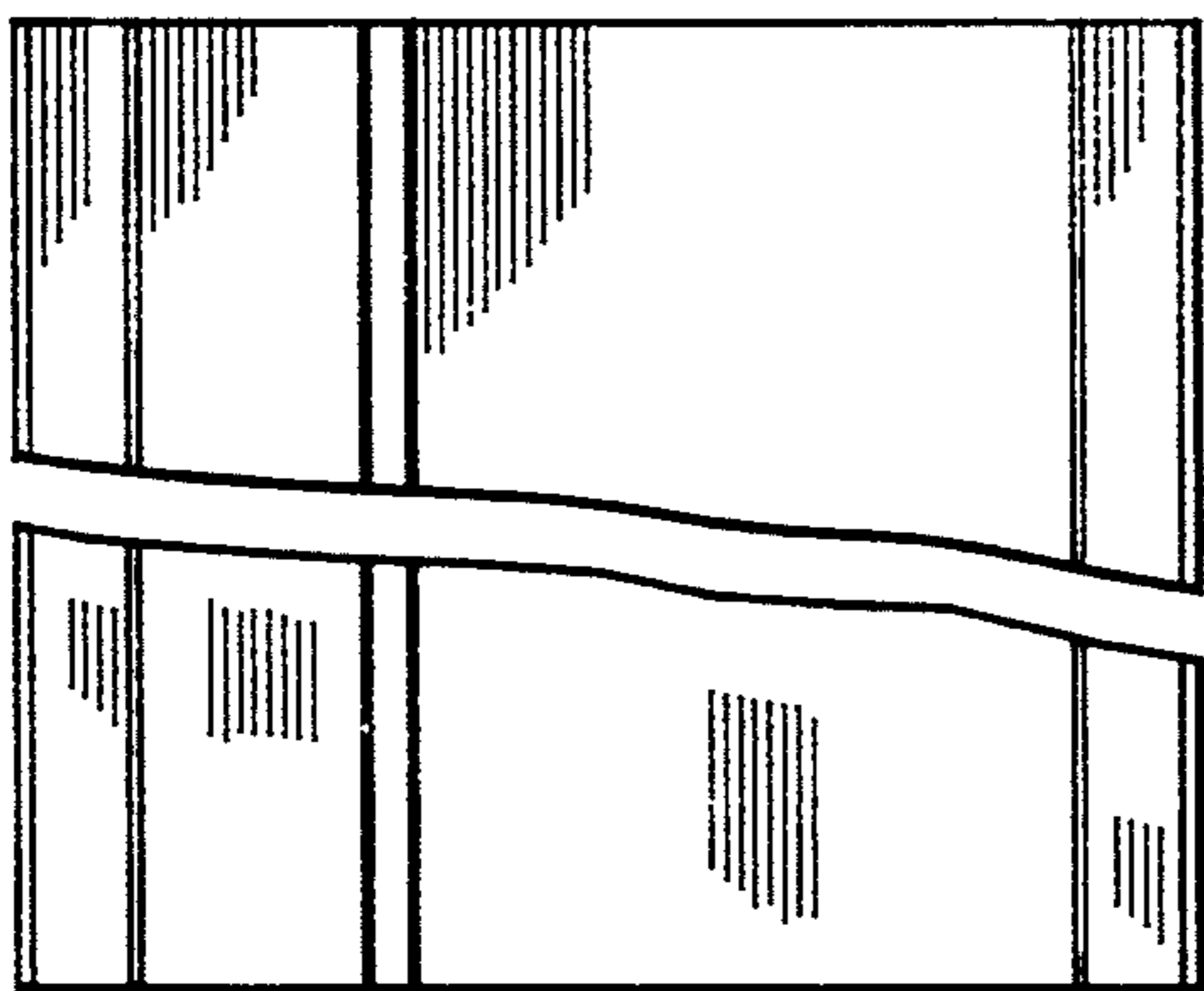


FIG. 4

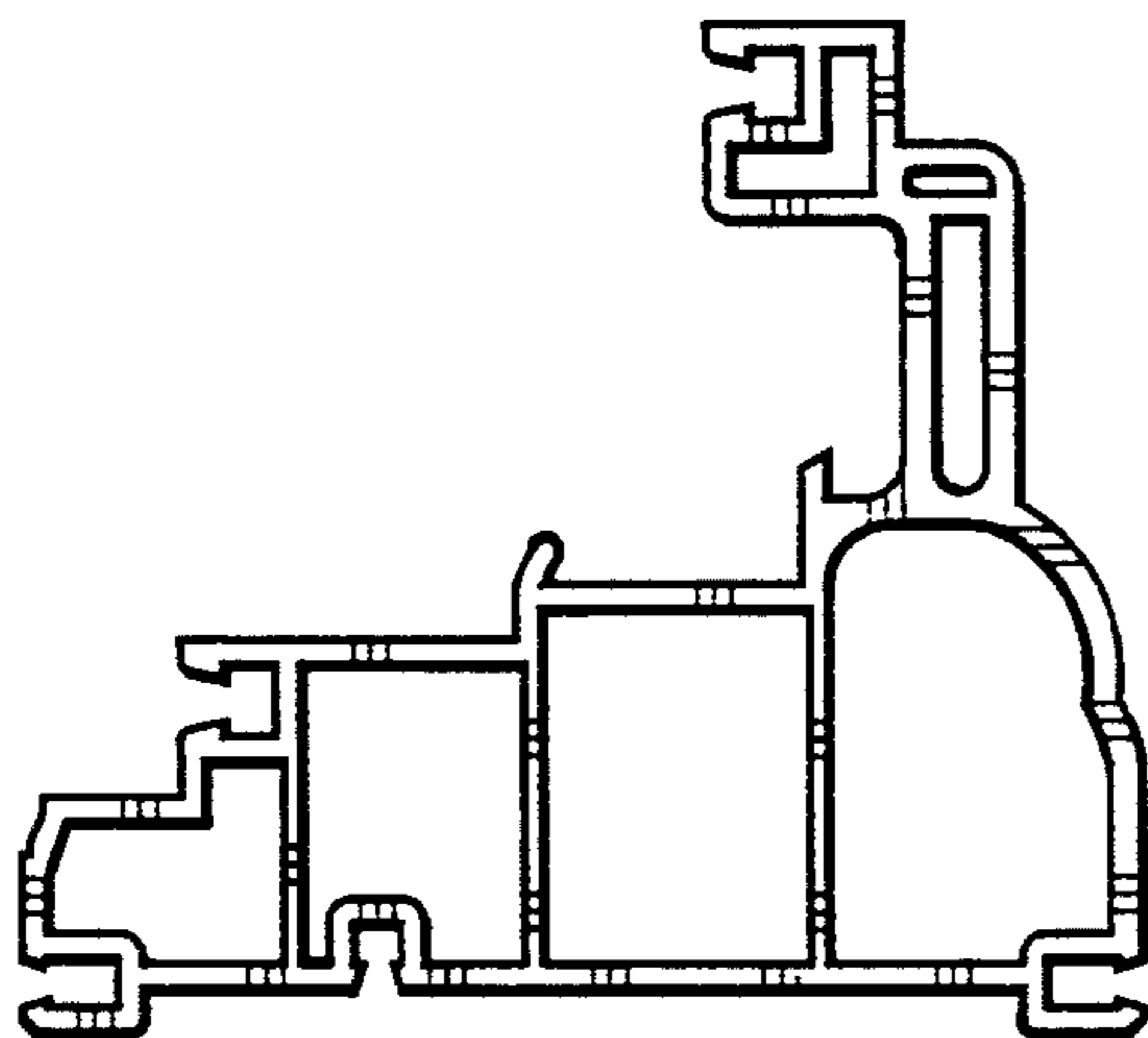


FIG. 5

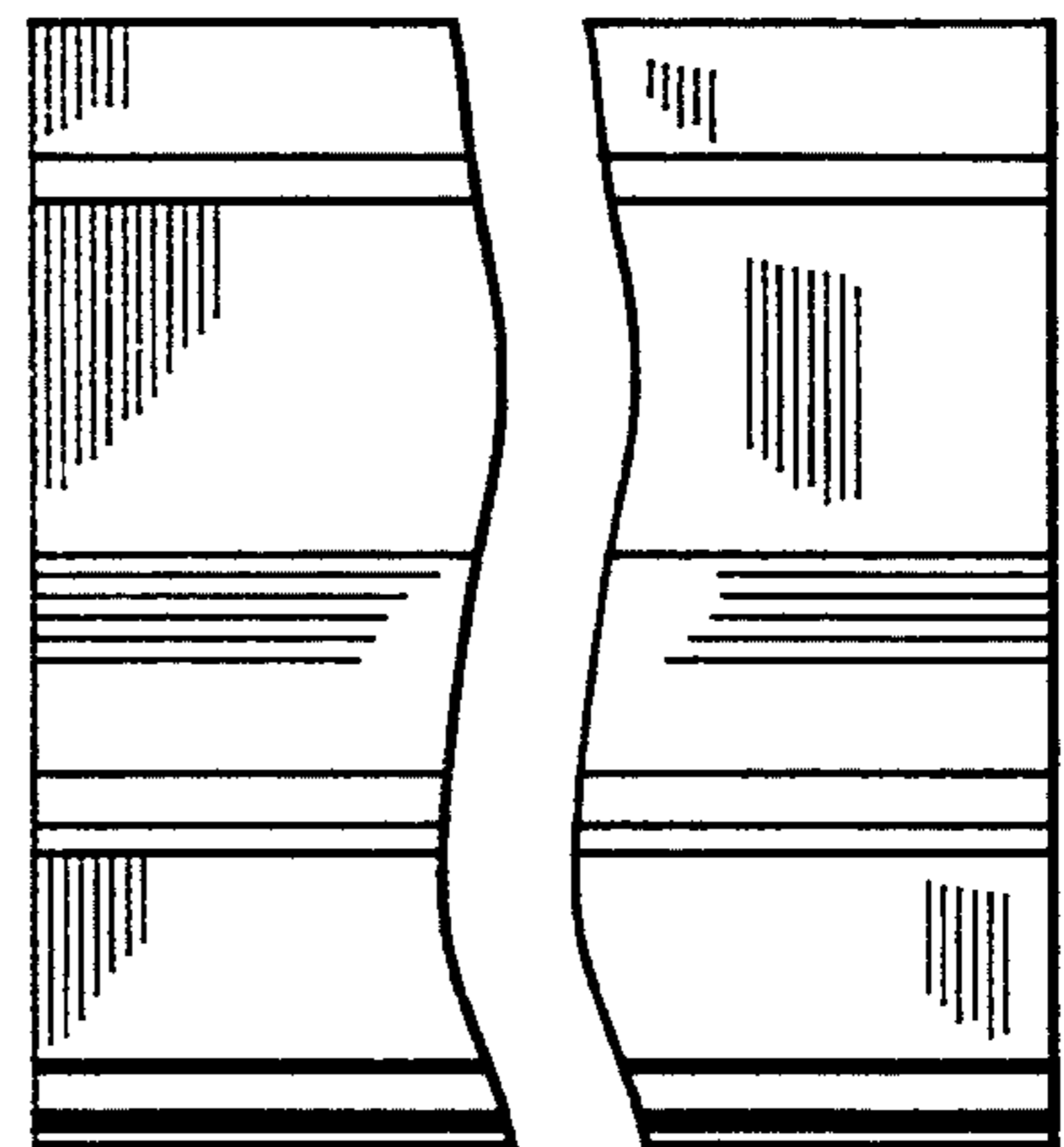


FIG. 6

