



US00D355719S

United States Patent [19]

[11] Patent Number: **Des. 355,719**

Murakami et al.

[45] Date of Patent: **** Feb. 21, 1995**

[54] GAMMA CAMERA

[75] Inventors: **Makoto Murakami; Takahisa Yoneyama**, both of Yokohama, Japan

[73] Assignee: **Kabushiki Kaisha Toshiba**, Kawasaki, Japan

[**] Term: **14 Years**

[21] Appl. No.: **13,755**

[22] Filed: **Oct. 1, 1993**

[30] Foreign Application Priority Data

Apr. 1, 1993 [JP] Japan 9366/93

[52] U.S. Cl. **D24/159; D24/158**

[58] Field of Search **D24/159, 158; 378/4, 378/17, 19, 20**

[56] References Cited

U.S. PATENT DOCUMENTS

D. 345,606	3/1994	Perusek	D24/159
D. 347,063	5/1994	Ariyoshi et al.	D24/159
4,093,860	6/1978	Kelman et al.	D24/159 X
4,538,289	8/1985	Scheibengraber	378/20
4,916,718	4/1990	Manring	D24/159 X
5,097,131	3/1992	Plummer et al.	D24/159 X

OTHER PUBLICATIONS

SNC-5100R, published Jun. 9, 1992, (extract from a Picker catalog).

Primary Examiner—Stella Reid
Attorney, Agent, or Firm—Oblon, Spivak, McClelland, Maier & Neustadt

[57] CLAIM

The ornamental design for a gamma camera, as shown and described.

DESCRIPTION

FIG. 1 is front, top, left side perspective view of a gamma camera, showing our new design; FIG. 2 is a front elevational view thereof; FIG. 3 is a top plan view thereof; FIG. 4 is a left side elevational view thereof; FIG. 5 is a right side elevational view thereof; FIG. 6 is a rear side elevational view thereof; FIG. 7 is a bottom plan view thereof; FIG. 8 is a left side perspective view showing the present article with detection surfaces set in the same direction; and, FIG. 9 is a perspective view thereof, the broken line showing is for illustrative purposes only and forms no part of the claimed design.

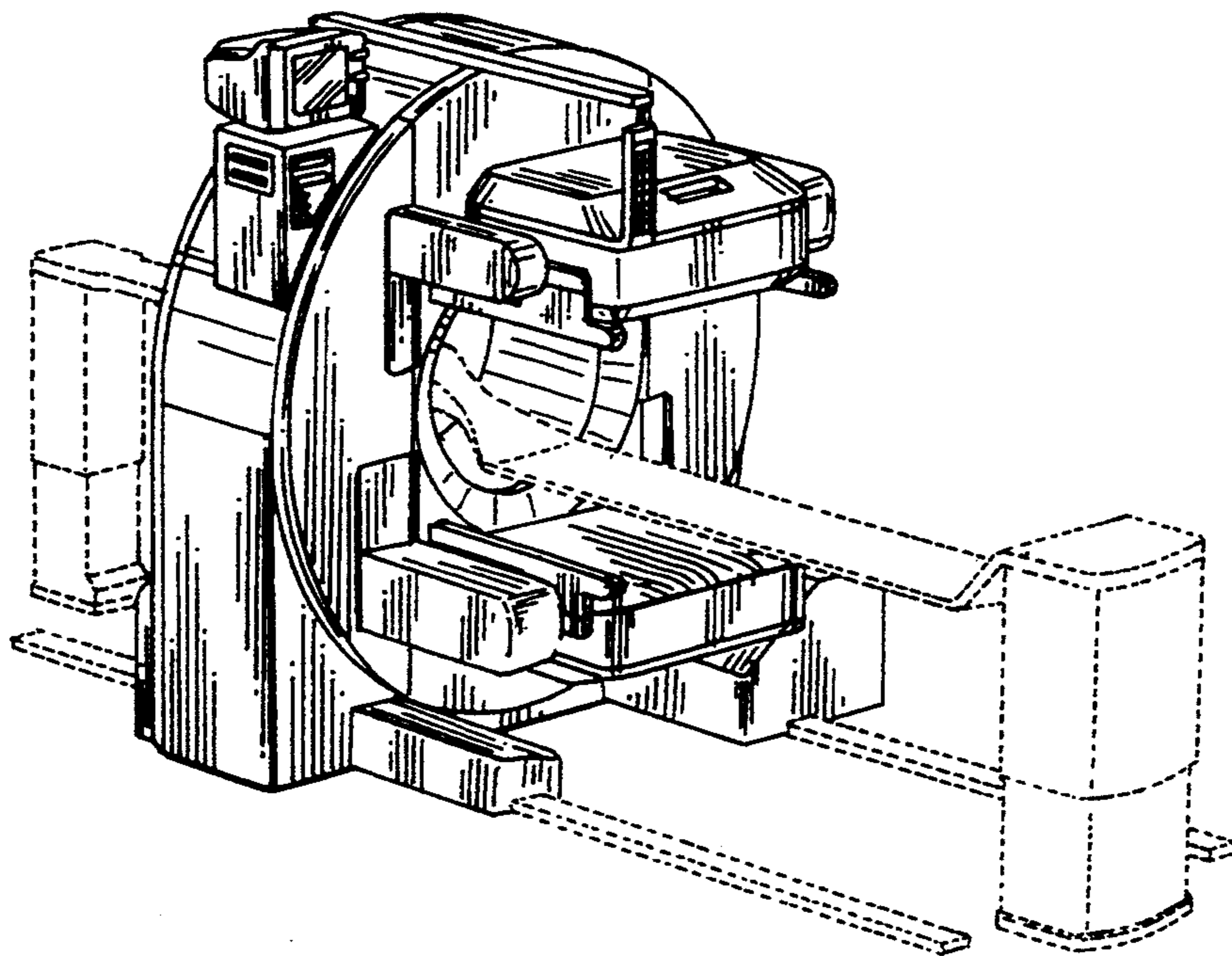


FIG. 1

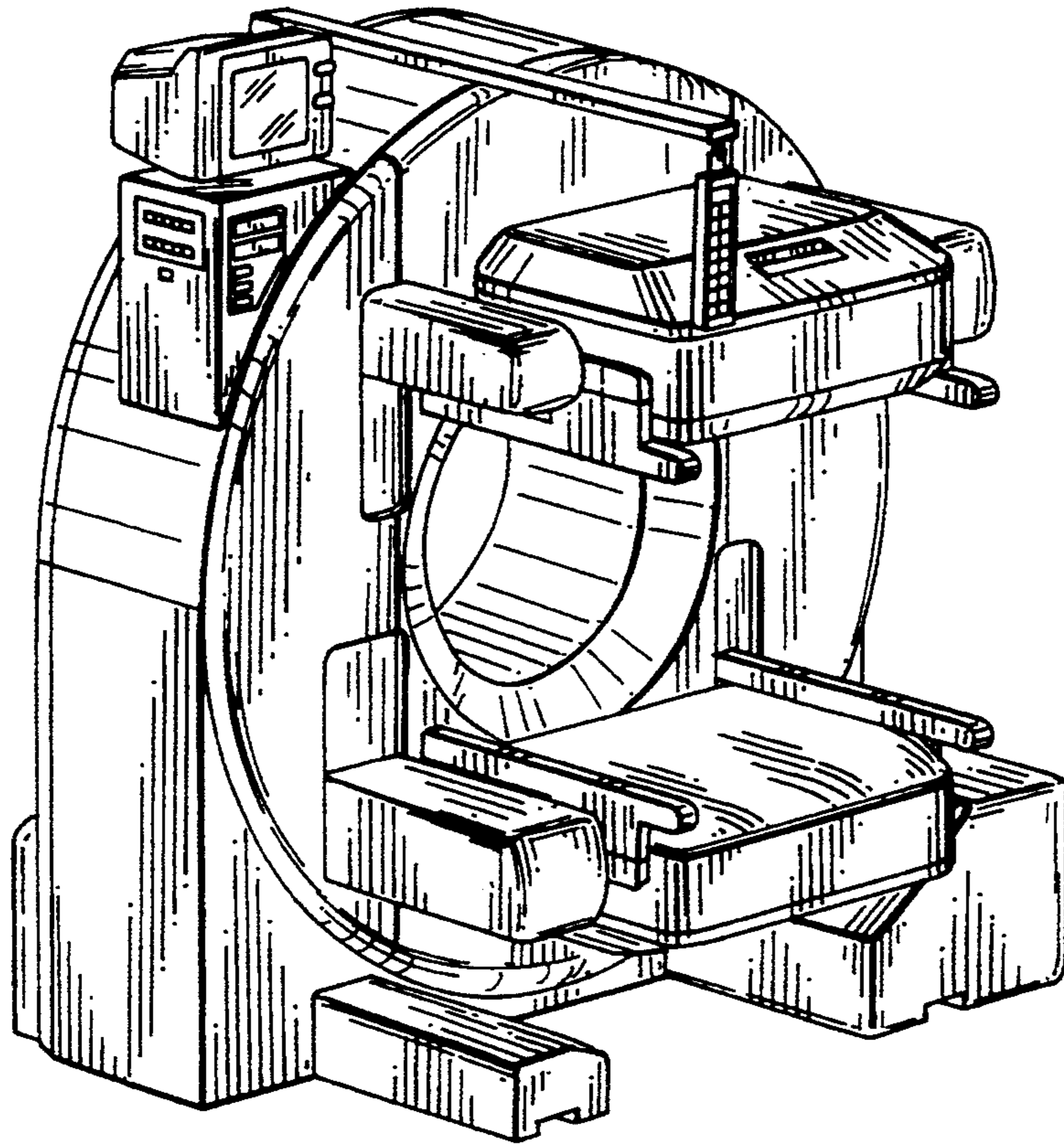


FIG. 2

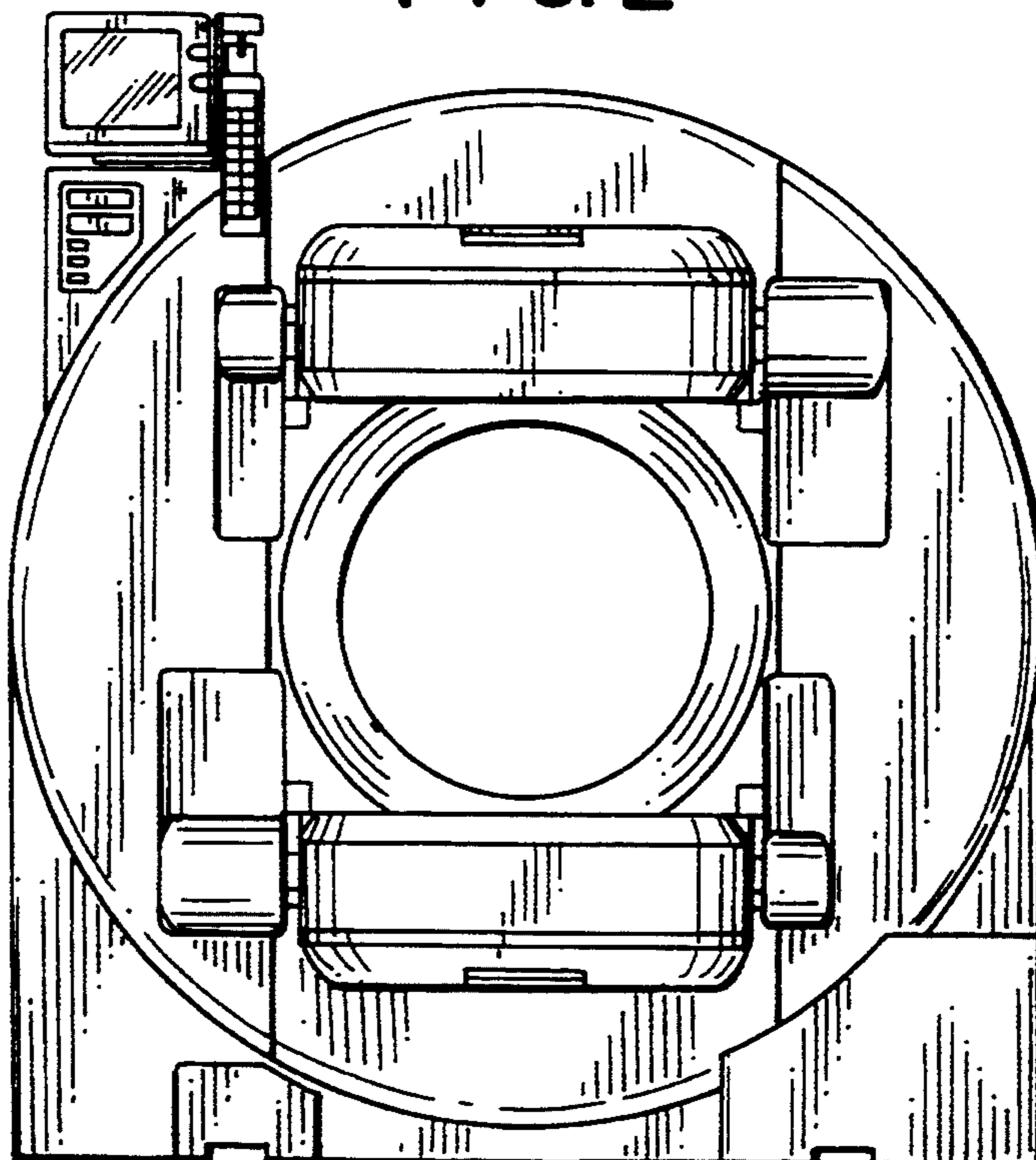


FIG. 3

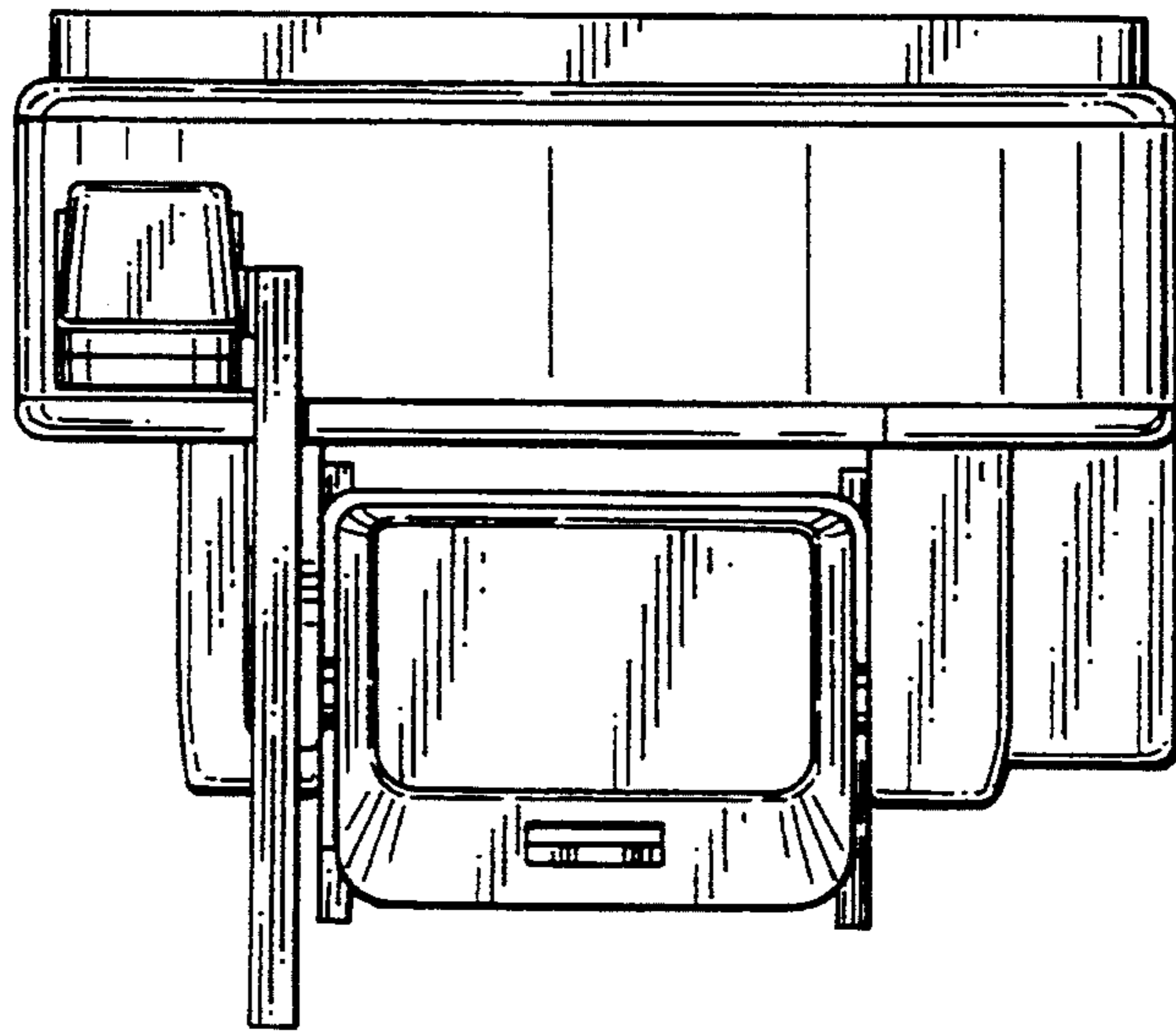


FIG. 4

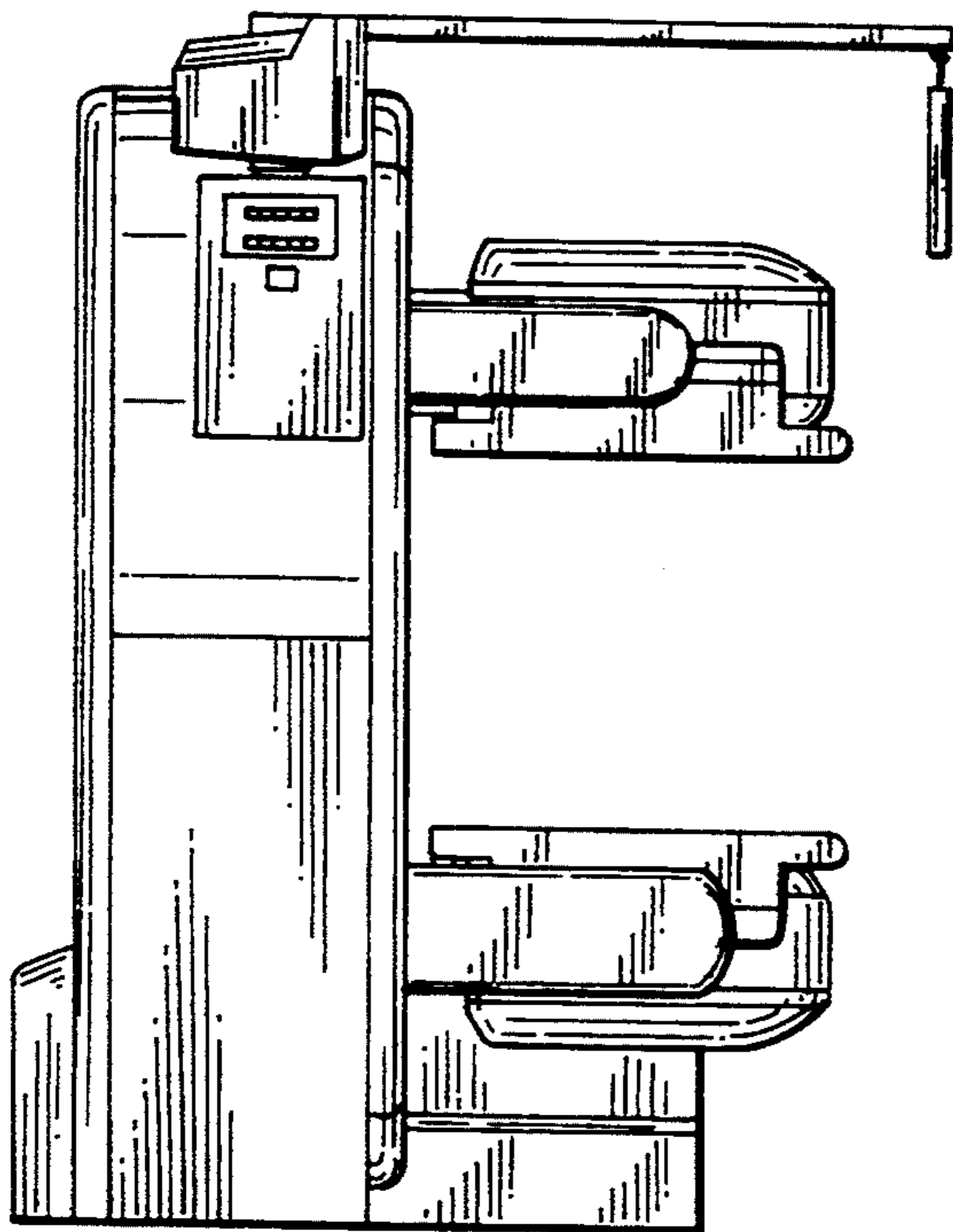


FIG. 5

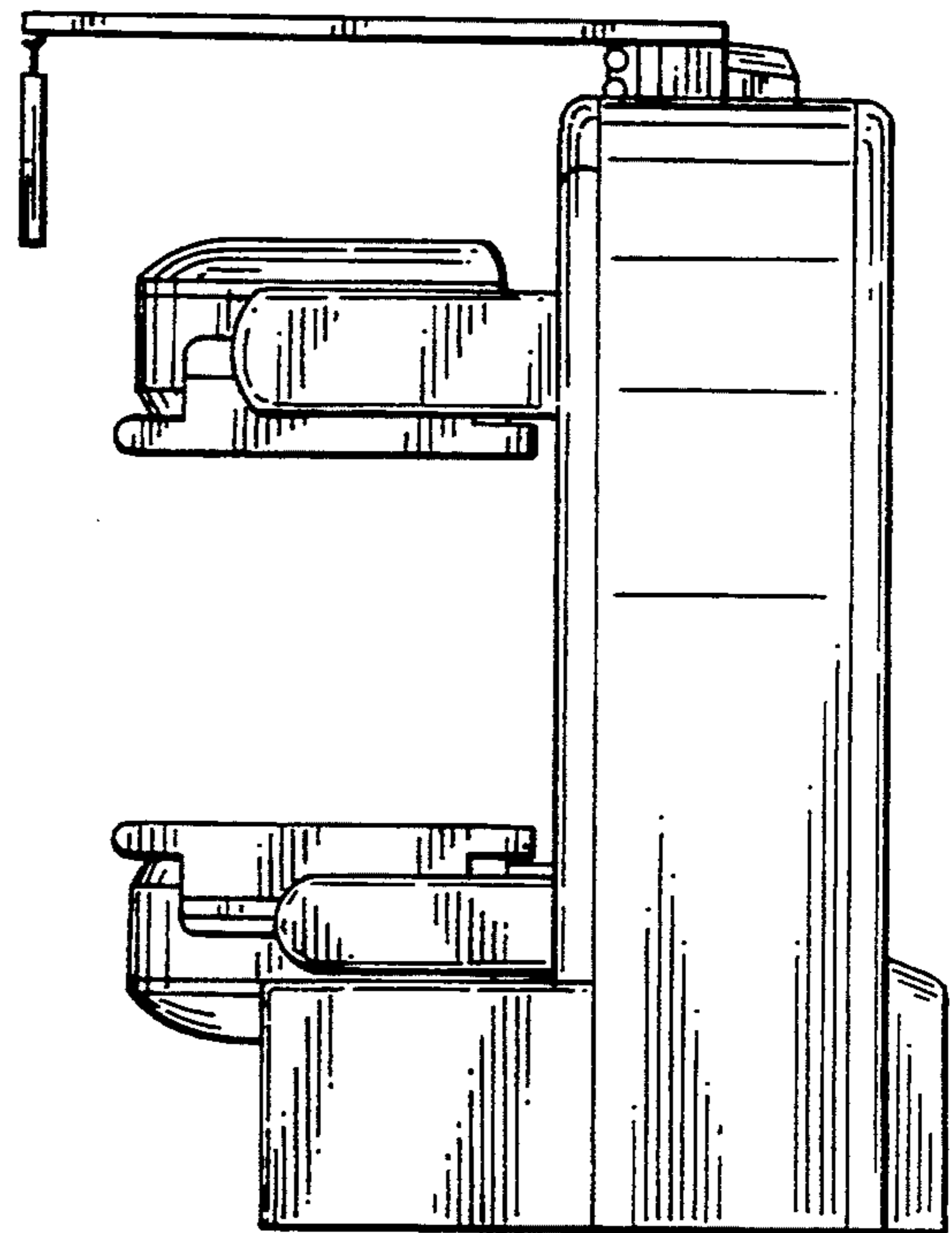


FIG. 6

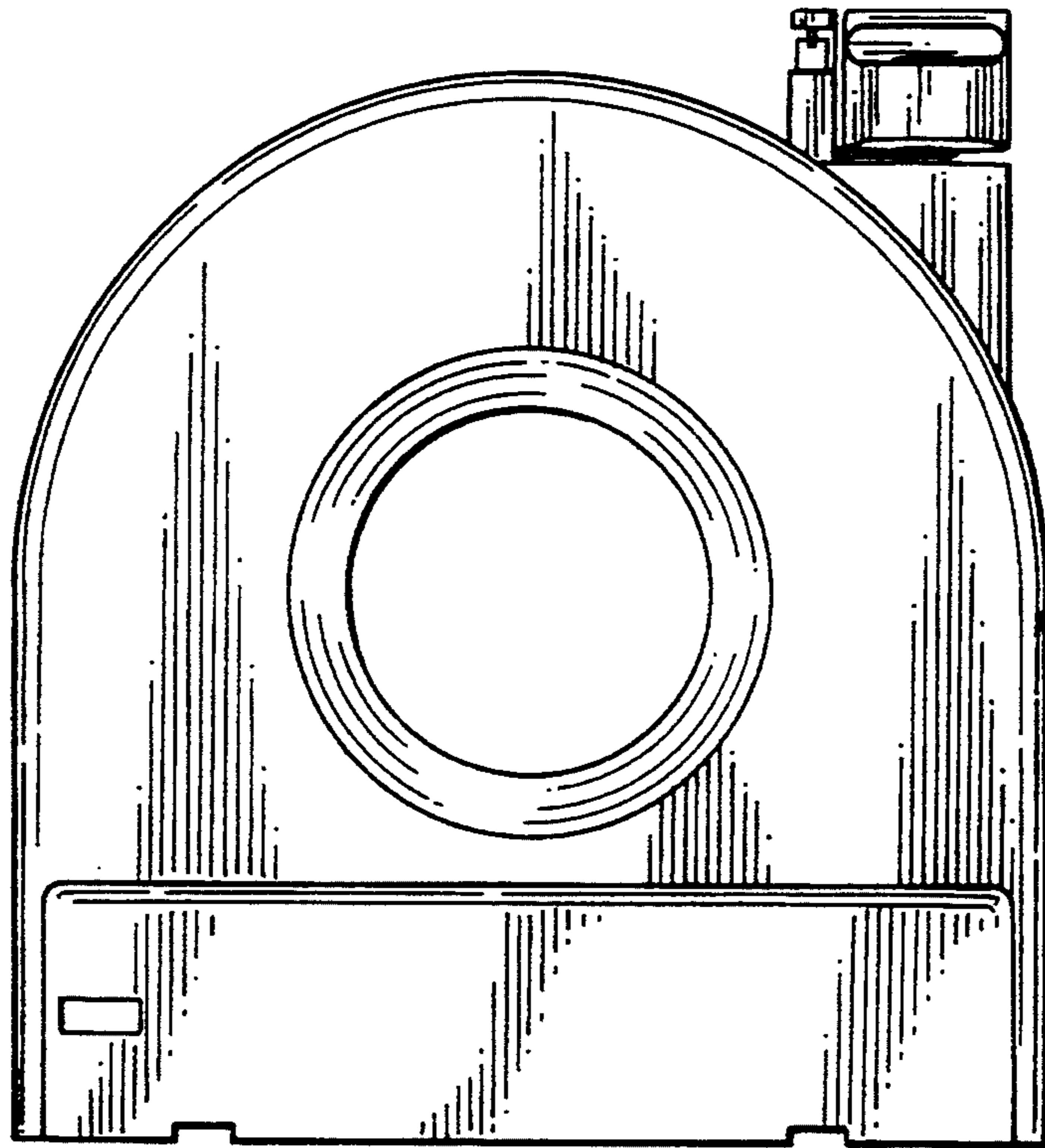


FIG. 7

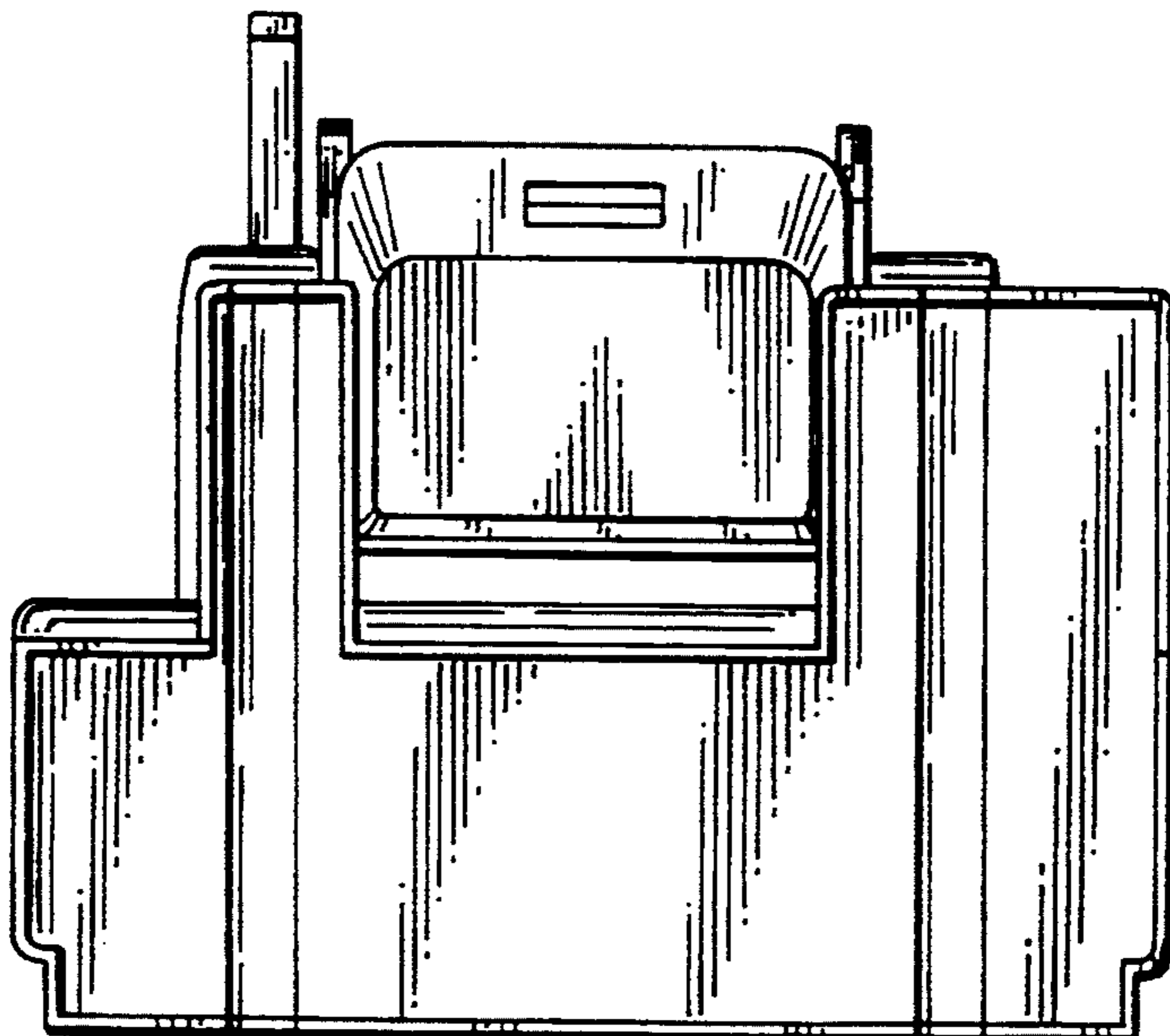


FIG. 8

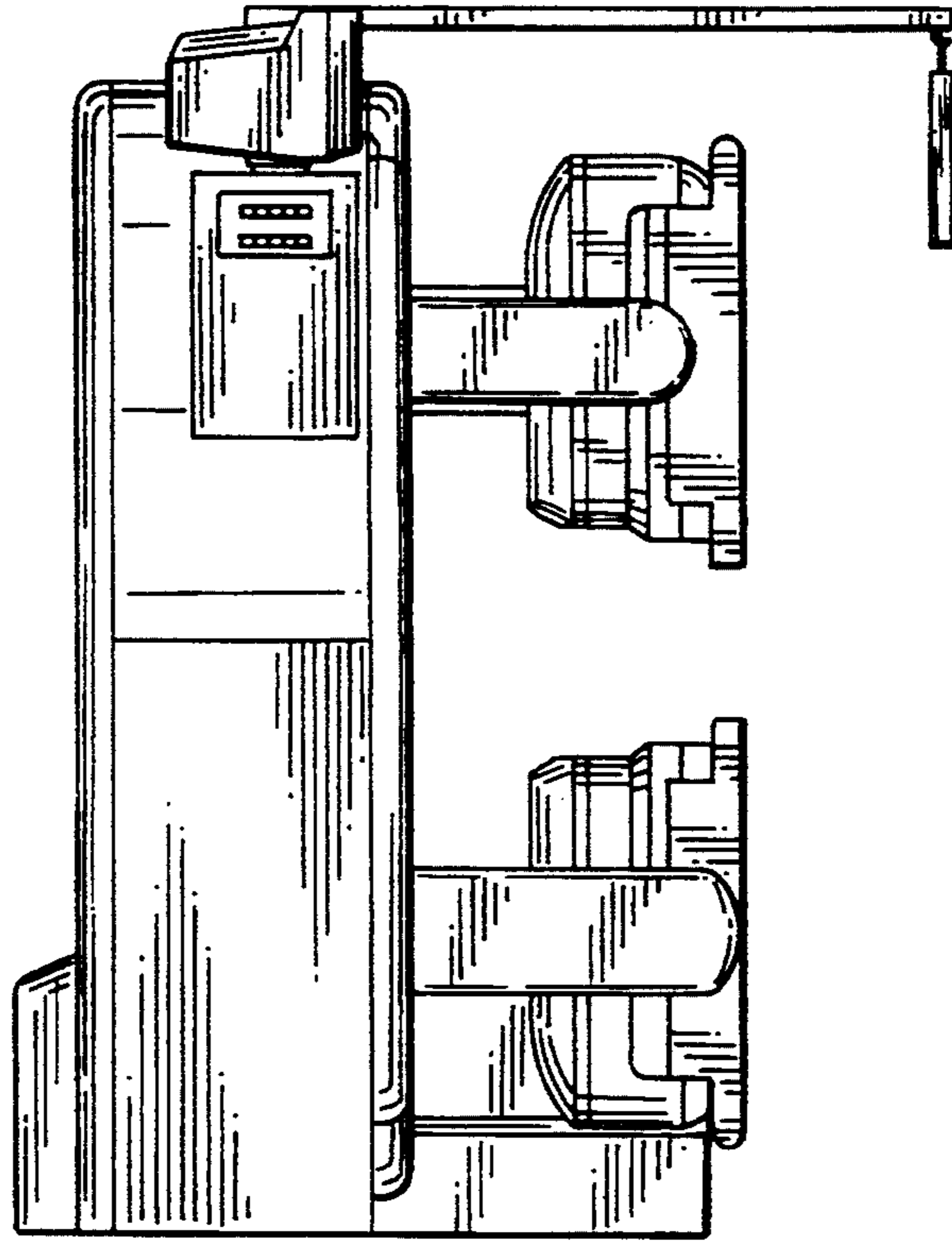


FIG. 9

