



US00D355716S

United States Patent [19]

[11] Patent Number: Des. 355,716

Nash et al.

[45] Date of Patent: ** Feb. 21, 1995

[54] **INFUSION PUMP**

[75] Inventors: **James E. Nash**, St. Paul; **Rodney J. Smith**, Hastings; **Kent R. Struble**, Mahtomedi, all of Minn.

[73] Assignee: **Minnesota Mining and Manufacturing Company**, St. Paul, Minn.

[**] Term: **14 Years**

[21] Appl. No.: **917,611**

[22] Filed: **Jul. 23, 1992**

[52] U.S. Cl. **D24/111**

[58] Field of Search **D24/108, 107, 111, 128; 604/151, 153, 152, 131, 154; 417/474, 477, 411, 234; 128/DIG. 12, DIG. 13, 123**

[56] **References Cited**

U.S. PATENT DOCUMENTS

D. 255,147	5/1980	Jess et al.	D24/111
D. 278,181	3/1985	Archibald et al.	D24/8
D. 312,879	12/1990	Aten	D24/111
D. 328,952	8/1992	Arioka	D24/111
4,217,993	8/1980	Jess et al.	604/153 X
4,396,385	8/1983	Kelly et al.	604/152
4,525,163	6/1985	Slavik et al.	128/DIG. 12 X
4,673,389	6/1987	Archibald et al.	604/81
4,821,028	4/1989	Deckert et al.	128/DIG. 13 X
5,017,192	5/1991	Dodge et al.	604/250
5,078,362	1/1992	Lawless et al.	251/9
5,108,367	4/1992	Epstein et al.	128/DIG. 12 X
5,116,203	5/1992	Natwick et al.	417/53

OTHER PUBLICATIONS

Brochure entitled "Plum—Introducing The Plum"—Lifecare 5000 Drug Delivery System; Abbott Laboratories; Brochure No. 86-200-20 Oct., 1988.

Brochure: LifeCare—Electronic Flow Control—System Operating Manual for Lifecare 5000 Plum Infusion System; Brochure No. 430-03388-009 (Jan. 1989).

Brochure: Lifecare 5000 Drug Delivery System.

Brochure: Gemini PC2 "Volumetric Pump/Controller from IMED"; 1987; Brochure No. IM7265/15M.

Brochure: Gemini PC1 "Volumetric Pump/Controller from IMED"; 1988; Brochure No. IM7531/10M.

Brochure: "Flo-Gard 6100 Volumetric Infusion Pump" from Travenol Laboratories, Inc.; Brochure No. 431700 Jul. 1983.

Pp. 10 and 11 of an Operator's Manual for the Flo-Guard 6200 Volumetric Infusion Pump from Travenol.

Brochure: Valleylab Infutrol. Now, You Don't Have to Work Under Pressure from Valleylab; Brochure No. 945-605-052 Jan. 1983.

Folder entitled "AVI Infusion Therapy System" containing leaflets entitled: AVI 480 and 480CM Infusion pump; AVI 600 Syringe Pump; AVI 200A Infusion Pump; AVI Micro 210A Infusion Pump; AVI 400A Infusion Pump; AVI 840 Dual Channel Infusion Pump; AVI Micro 845 Dual Channel Infusion Pump; AVI 285 and 285CM Micro Infusion Pump; Medifuse Setting the Standard for Homecare Patient IV Delivery Systems; AVI Nurse Clinician Services; 3M delivers space-saving solutions; and The 3M IV Flow Regulator. Nov.1990.

Primary Examiner—A. Hugo Word
Assistant Examiner—I. Simmons
Attorney, Agent, or Firm—Gary L. Griswold; Walter N. Kirn; Stephen W. Bauer

[57] **CLAIM**

The ornamental design for an infusion pump, as shown and described.

DESCRIPTION

FIG. 1 is a perspective view of an infusion pump showing our new design;

FIG. 2 is a front elevational view thereof;

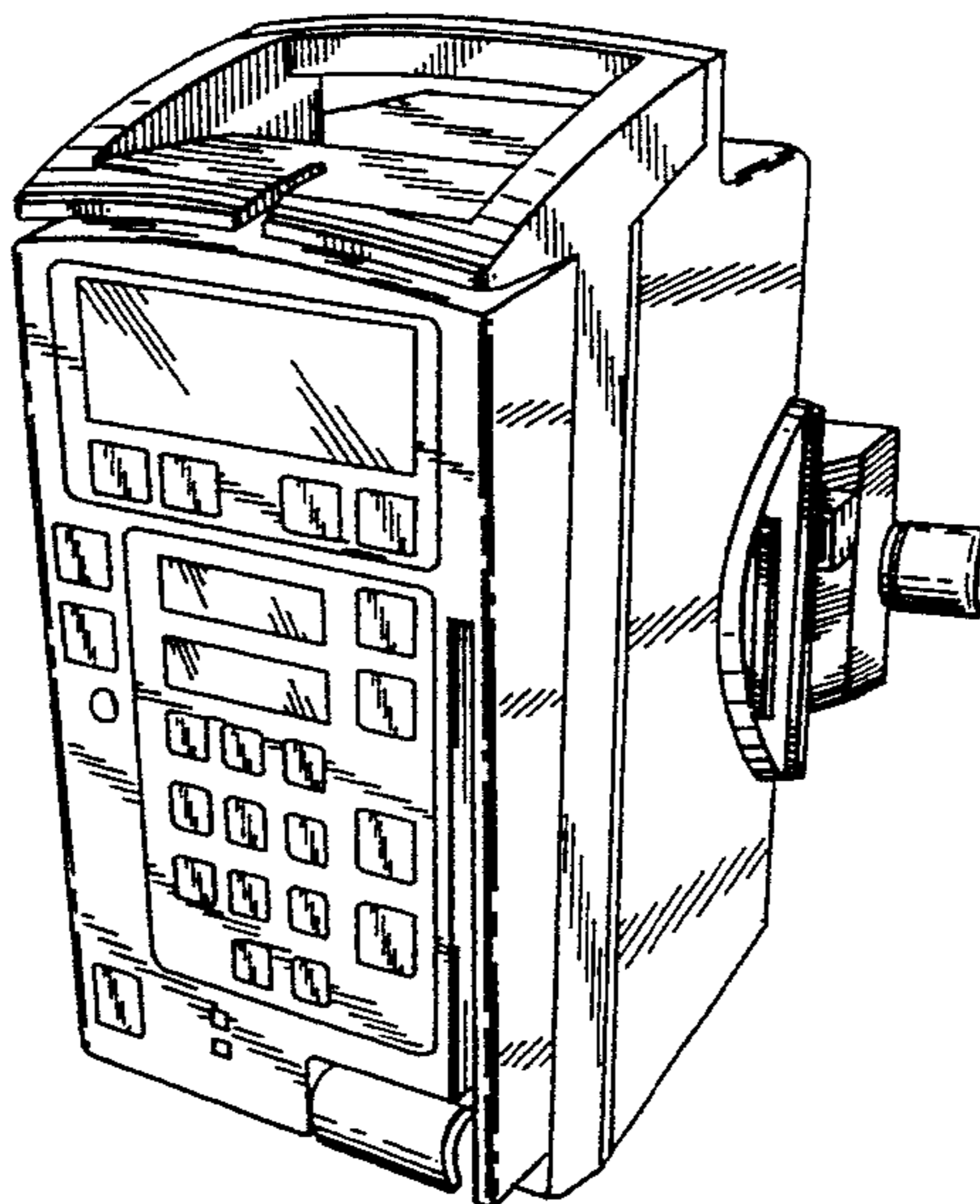
FIG. 3 is a rear elevational view thereof;

FIG. 4 is a left side elevational view thereof;

FIG. 5 is a right side elevational view thereof;

FIG. 6 is a top plan view thereof; and,

FIG. 7 is a bottom view thereof.



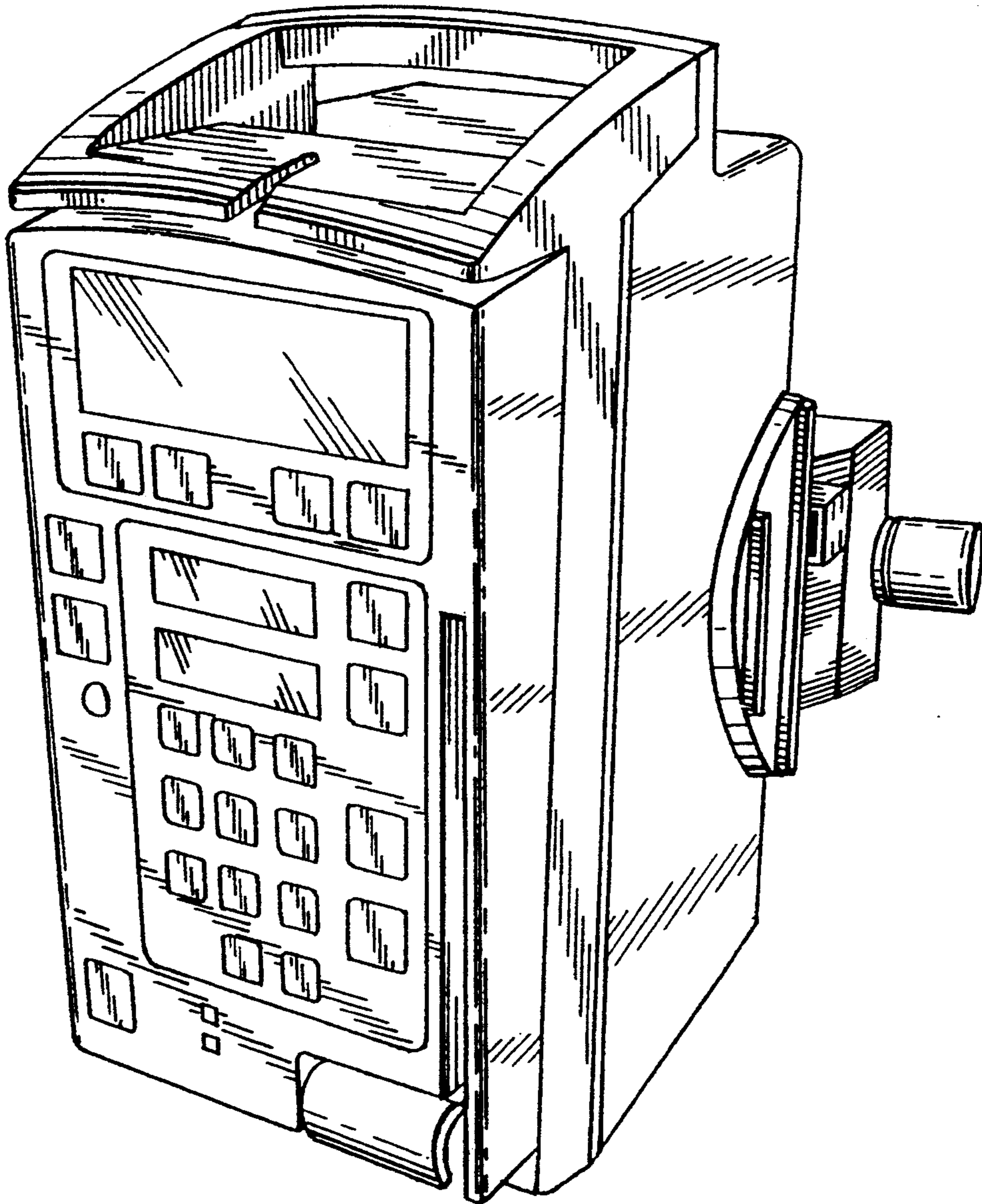


Fig. 1

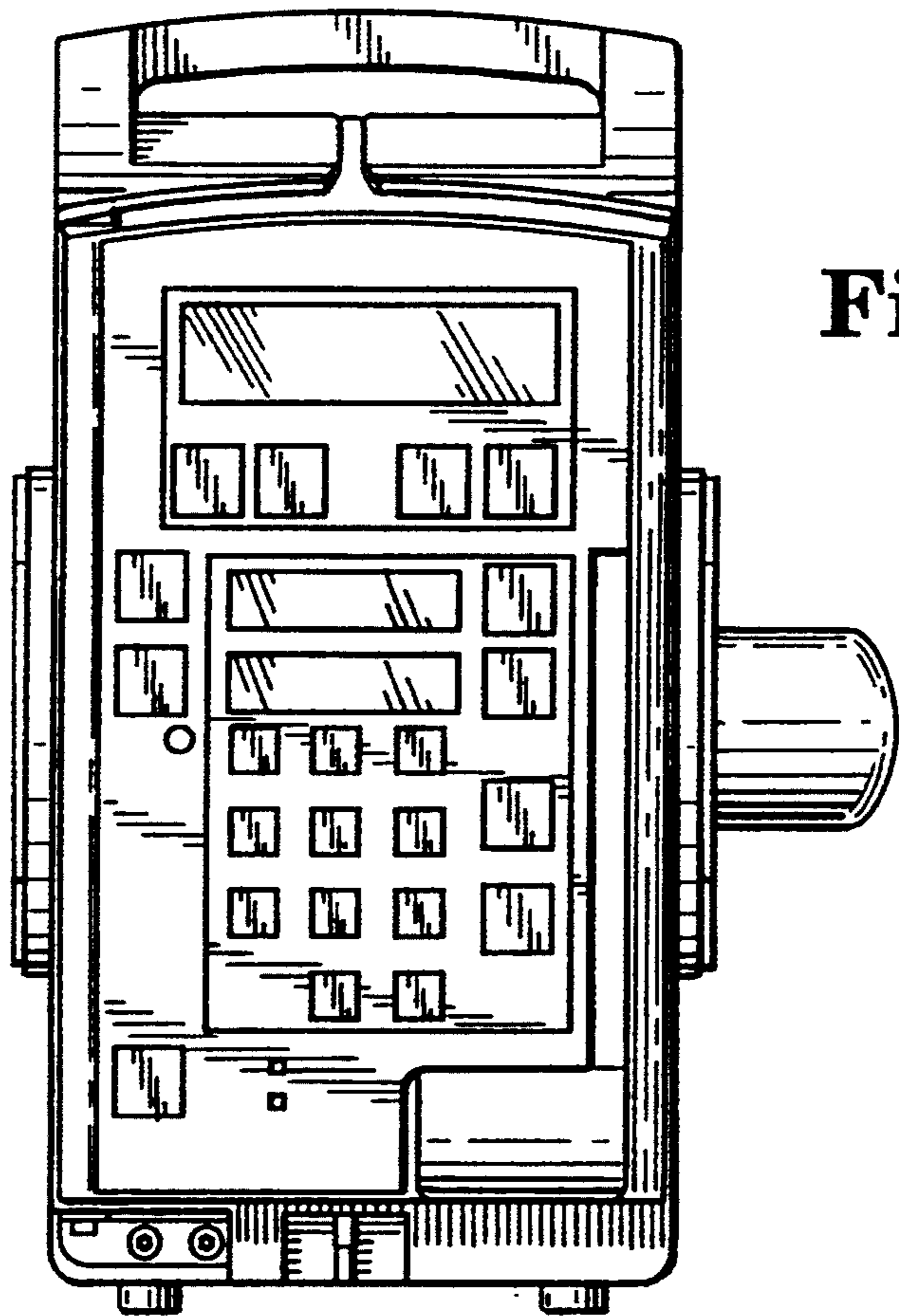


Fig. 2

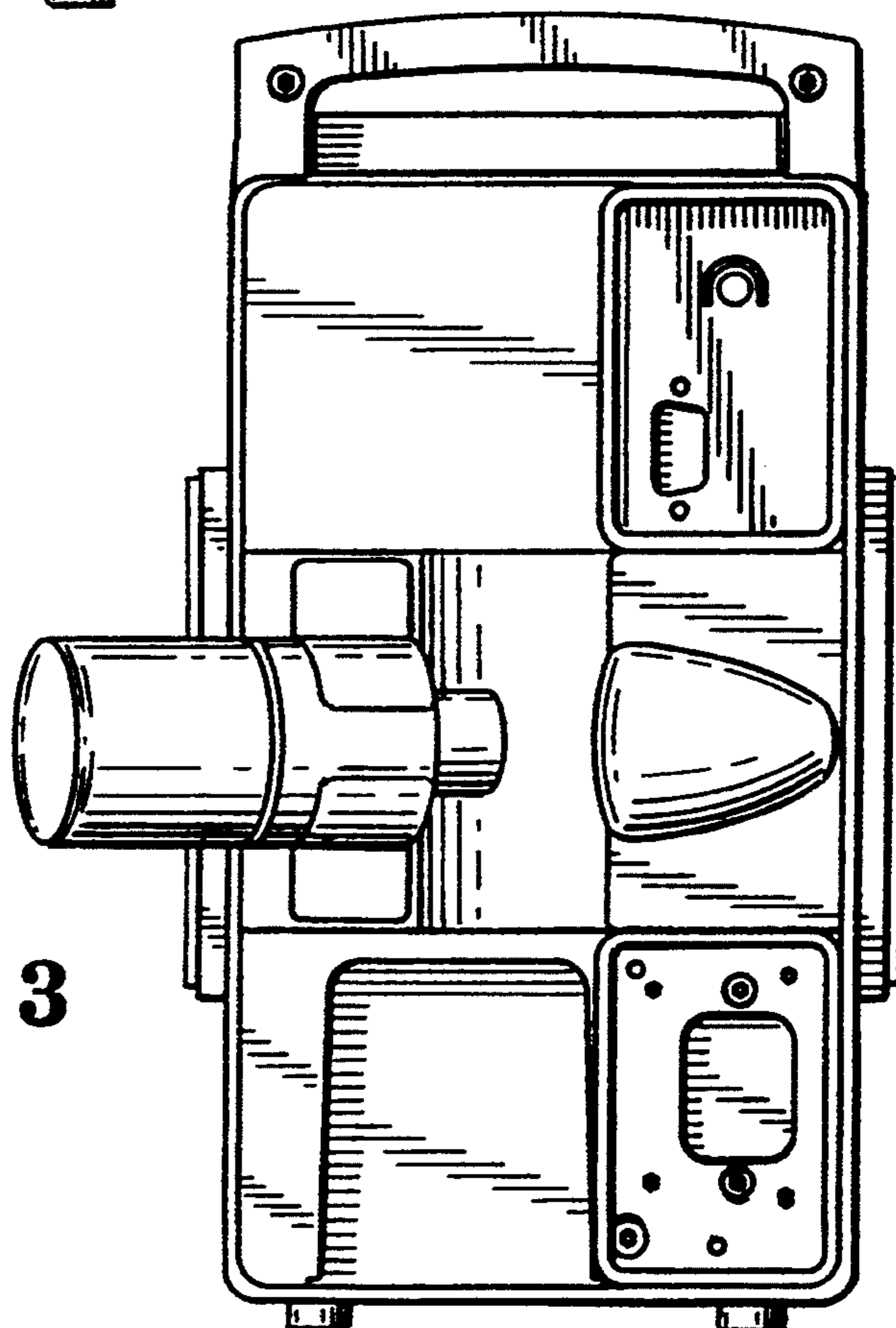


Fig. 3

Fig. 5

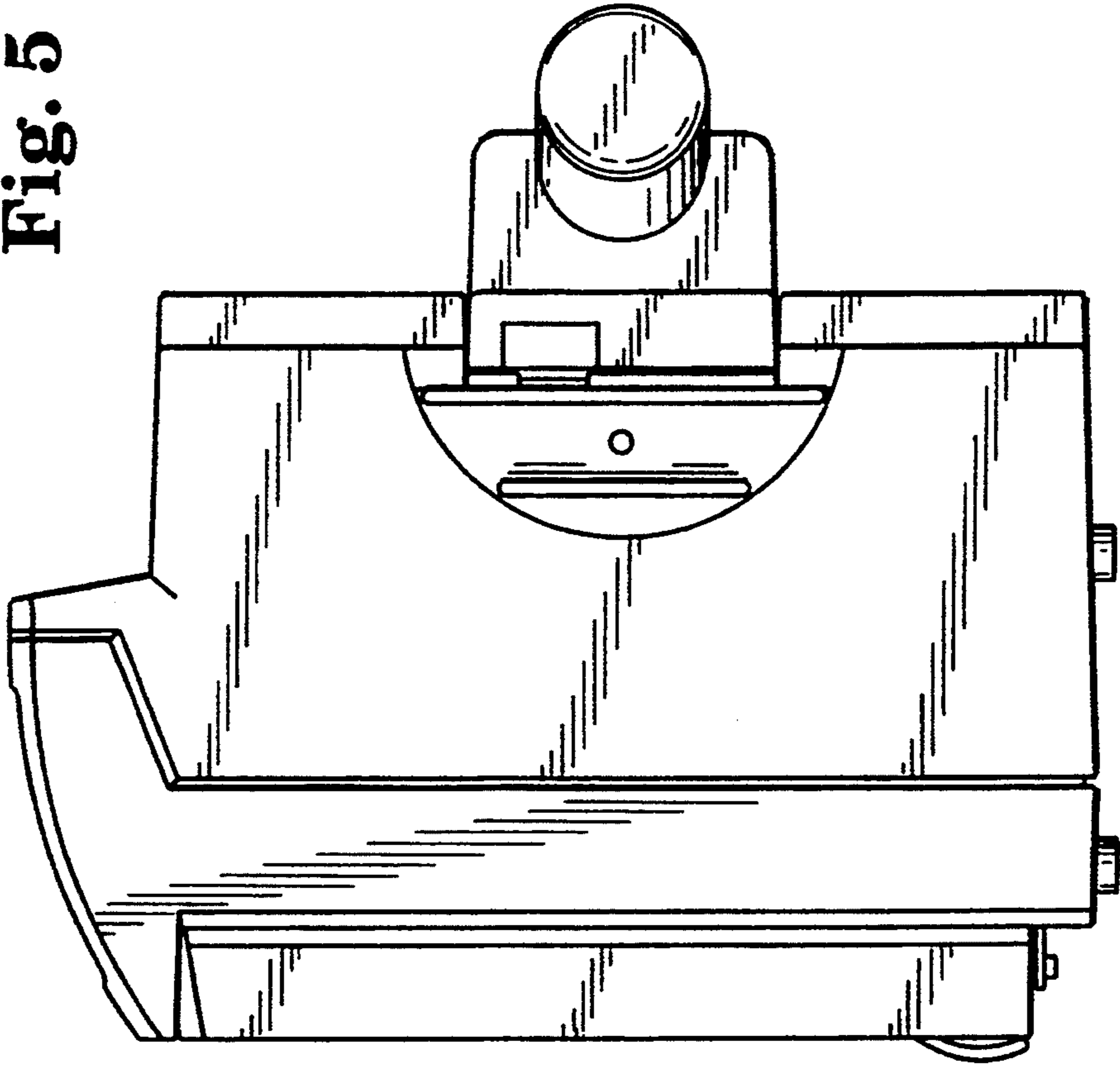
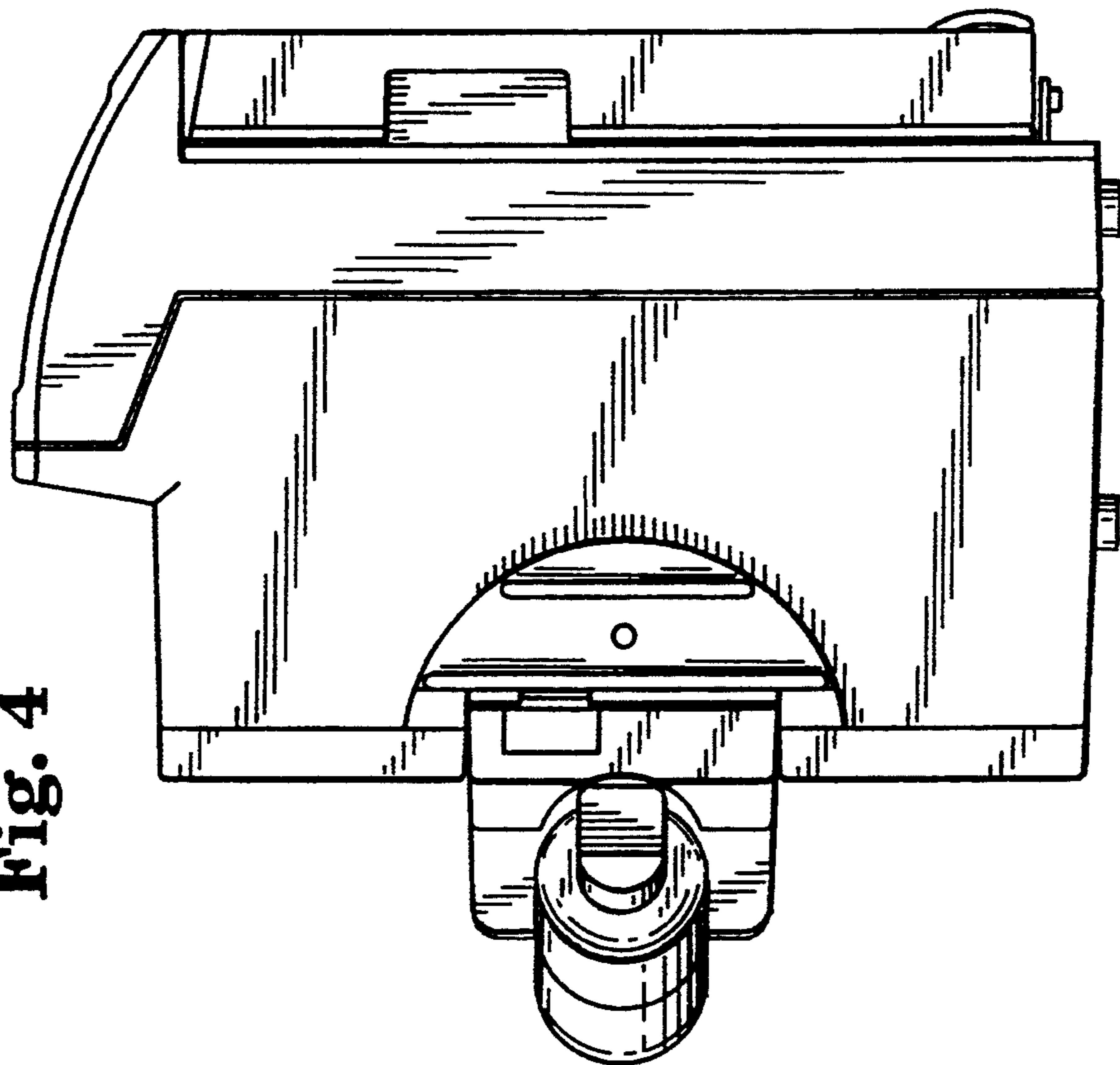


Fig. 4



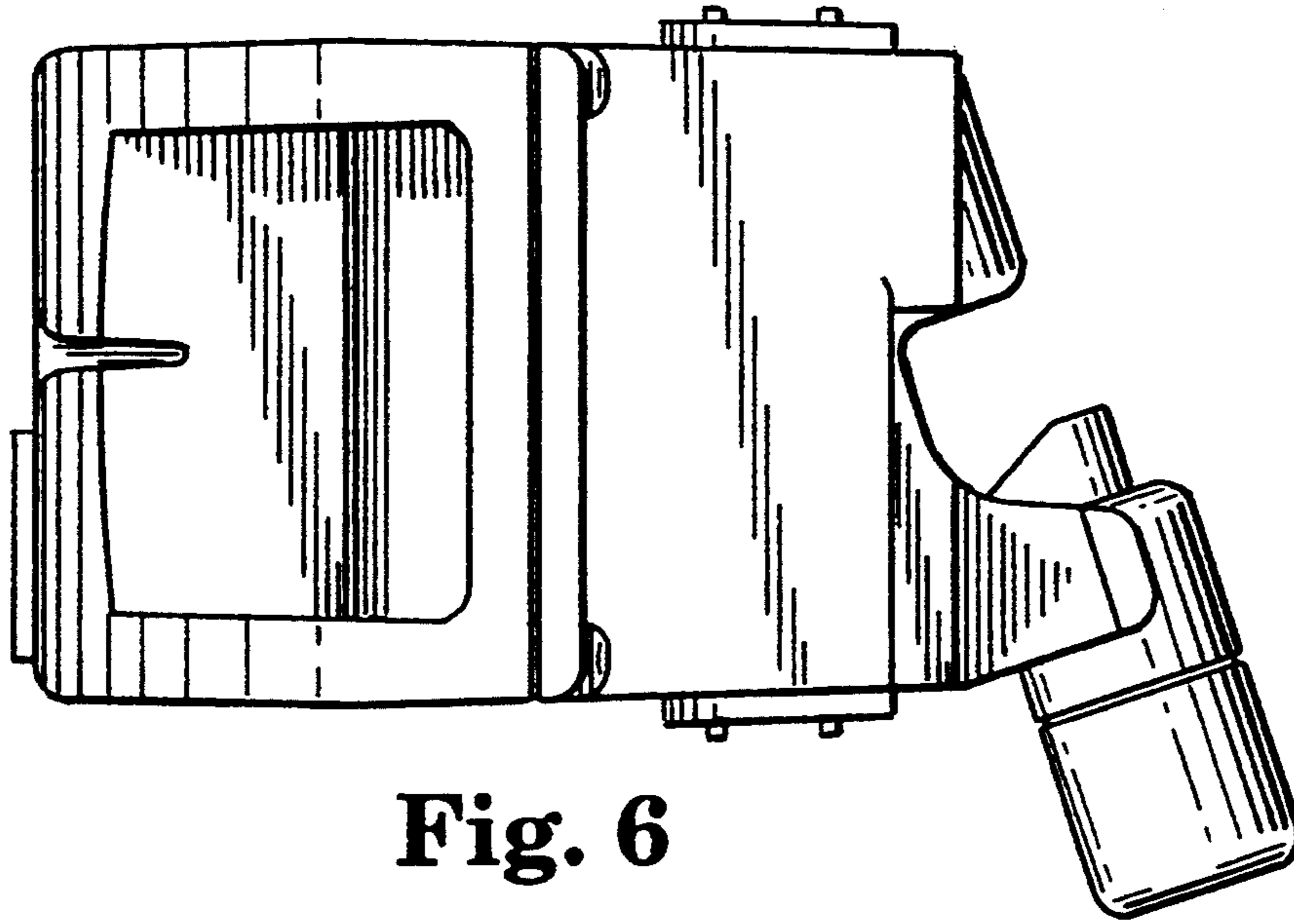


Fig. 6

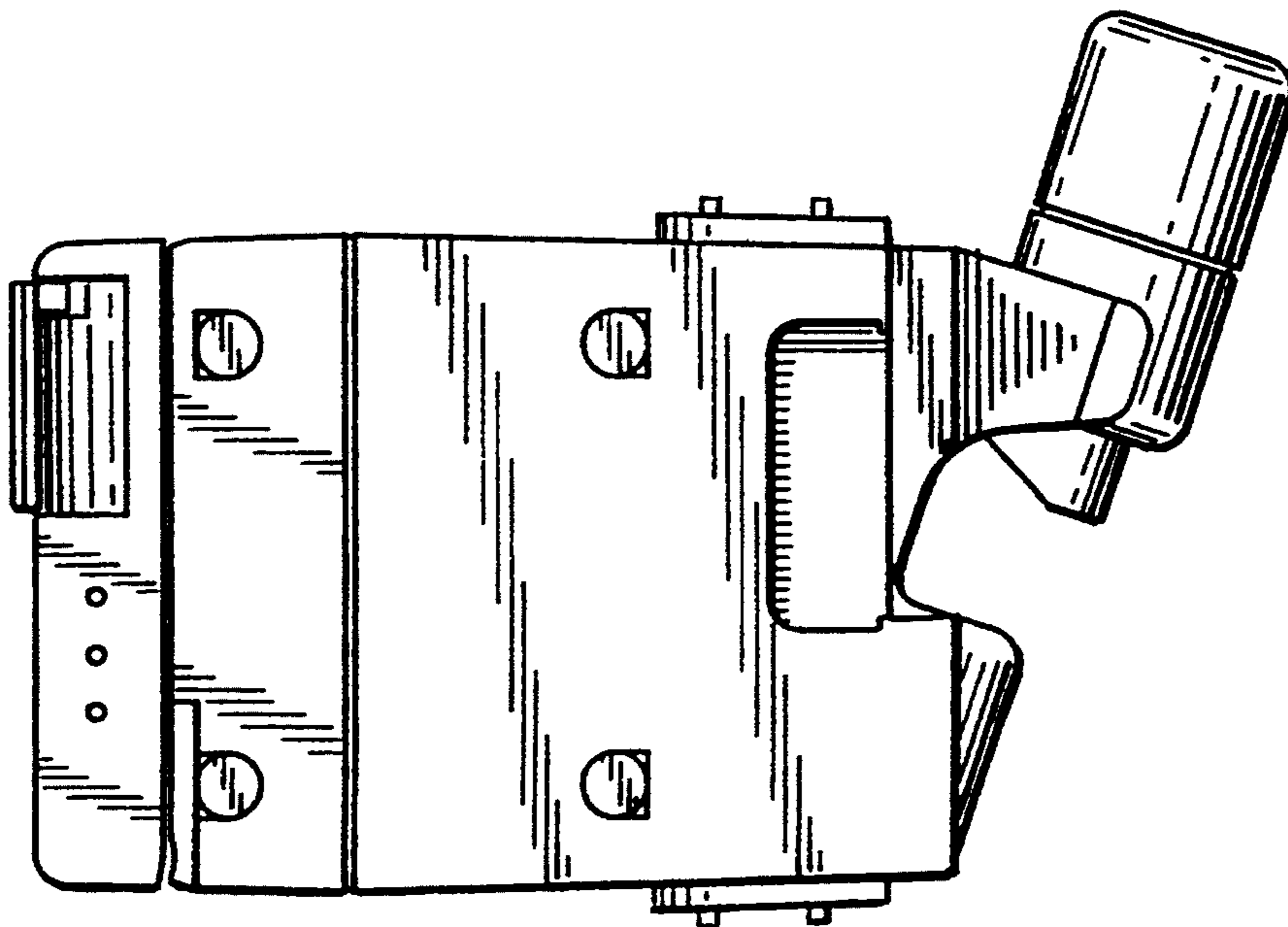


Fig. 7