



US00D355713S

# United States Patent [19]

[11] Patent Number: Des. 355,713

Kelly

[45] Date of Patent: \*\* Feb. 21, 1995

[54] COMBINED TOILET SEAT AND COVER

[57] CLAIM

[75] Inventor: Gordon D. Kelly, Elm Grove, Wis.

The ornamental design for a combined toilet seat and cover, as shown and described.

[73] Assignee: American Standard Inc., Piscataway, N.J.

### DESCRIPTION

[\*\*] Term: 14 Years

FIG. 1 is a perspective view taken from the top, front and left side of a combined toilet seat and cover embodying my new design showing the cover in an open position;

[21] Appl. No.: 14,928

FIG. 2 is a perspective view taken from the top and rear thereof, showing the cover in a closed position;

[22] Filed: Nov. 3, 1993

FIG. 3 is a top plan view of FIG. 2;

[52] U.S. Cl. .... D23/311

FIG. 4 is a left side elevational view of FIG. 2, the right side being a mirror image of the left side shown;

[58] Field of Search ..... D23/309, 311, 312, 217, D23/234, 236, 242.1, 252.1, 253

FIG. 5 is a bottom plan view of FIG. 2;

FIG. 6 is a rear elevational view of FIG. 2;

FIG. 7 is a front elevational view of FIG. 2;

FIG. 8 is a sectional view thereof taken along line 8—8 of FIG. 2;

FIG. 9 is a cross sectional view of line 9—9 in FIG. 2;

FIG. 10 is a perspective view taken from the top, front and left side of a combined toilet seat and cover of another embodiment of my new design showing the cover in an open position;

FIG. 11 is a perspective view taken from the top and rear of FIG. 10, showing the cover in a closed position;

FIG. 12 is a top plan view of FIG. 11;

FIG. 13 is a left side elevational view of FIG. 11, the right side being a mirror image of the left side shown;

FIG. 14 is a bottom plan view of FIG. 11;

FIG. 15 is a rear elevational view of FIG. 11;

FIG. 16 is a front elevational view of FIG. 11;

FIG. 17 is a cross sectional view taken along line 17—17 of FIG. 11; and,

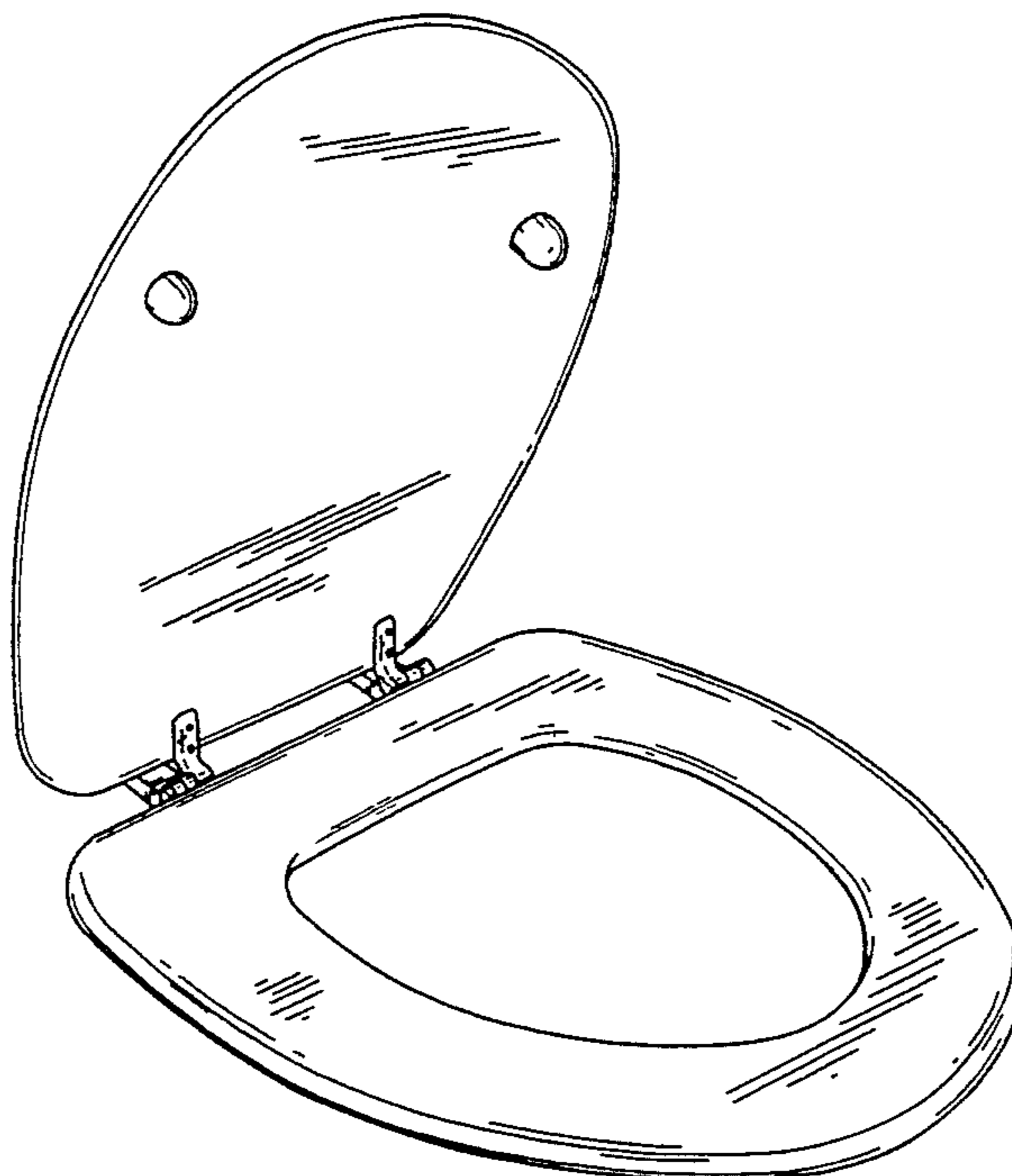
FIG. 18 is a cross sectional view taken along line 18—18 of FIG. 11.

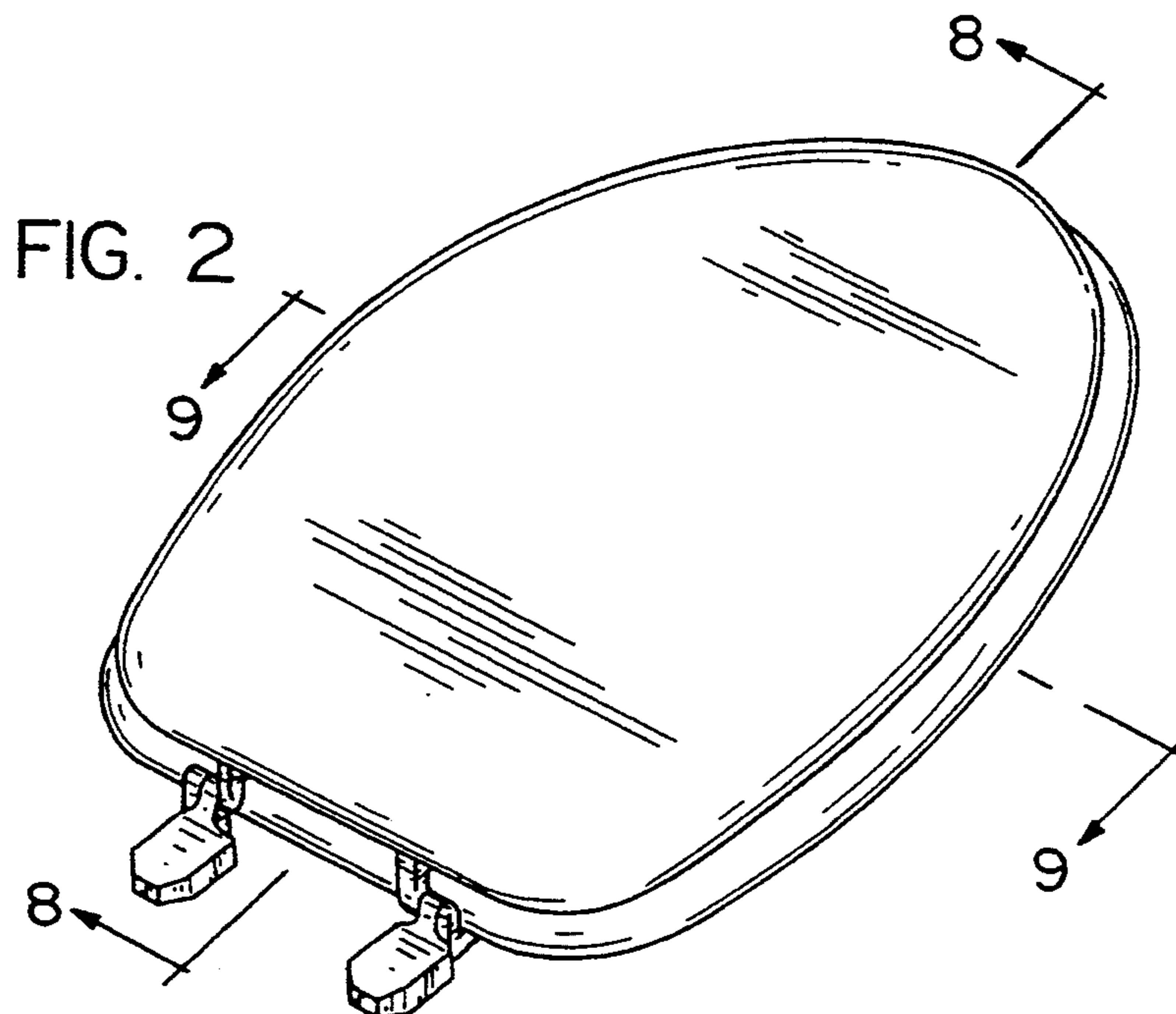
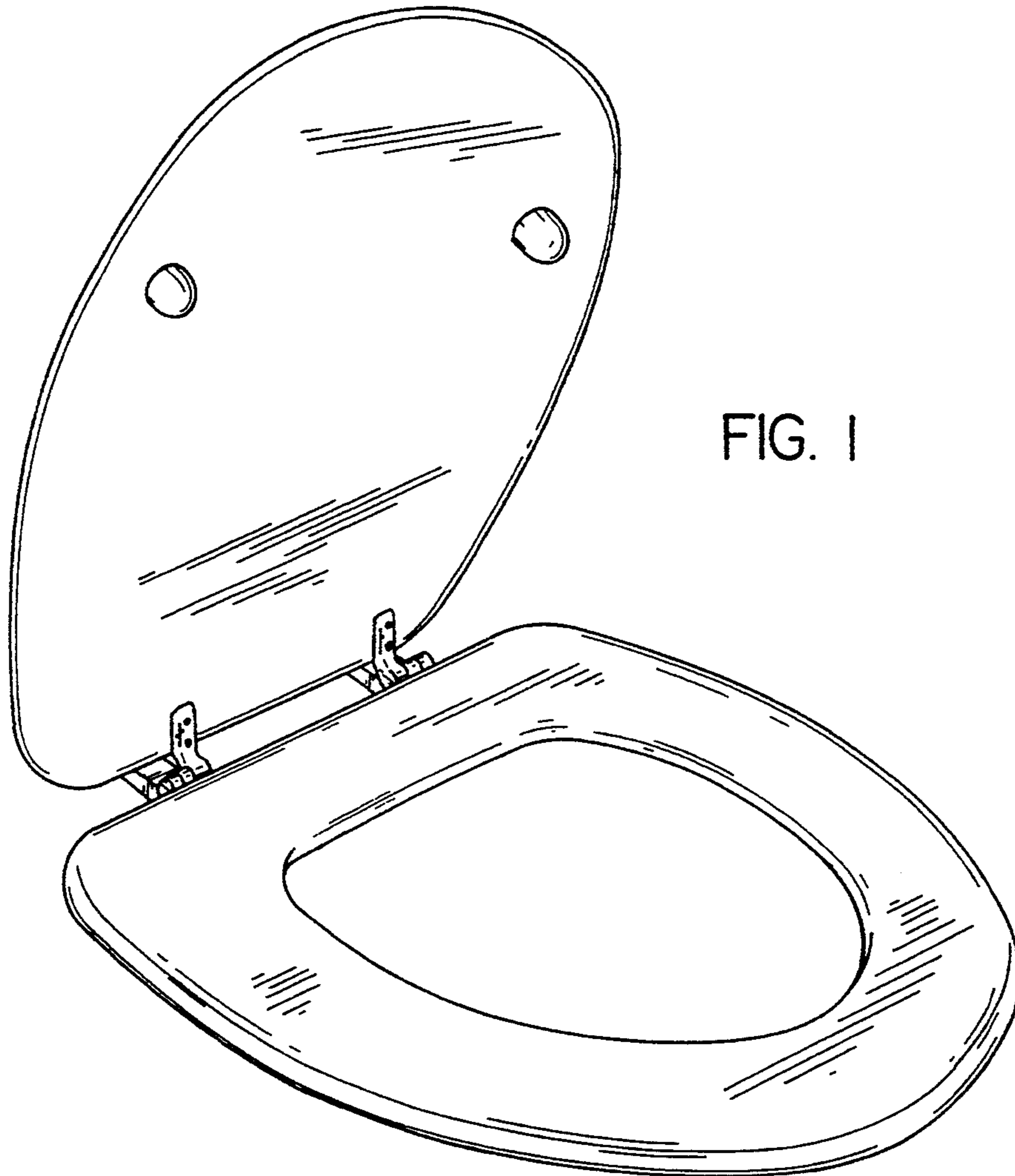
### [56] References Cited

#### U.S. PATENT DOCUMENTS

D. 157,397	2/1950	Mast	4/234 X
D. 198,491	6/1964	Macowski, Jr.	
D. 237,969	12/1975	Firdmann et al.	
D. 254,684	4/1980	Boyter	
D. 262,733	1/1982	Bjorn	
D. 271,417	11/1983	Thygesen et al.	
D. 278,846	5/1985	Harrison et al.	
D. 318,525	7/1991	Bock et al.	
1,113,176	10/1914	Worden	4/236
3,517,396	6/1970	Wert	4/234

Primary Examiner—A. Hugo Word  
Assistant Examiner—Eric Watterson  
Attorney, Agent, or Firm—Elaine Brenner Robinson;  
Ann M. Knab





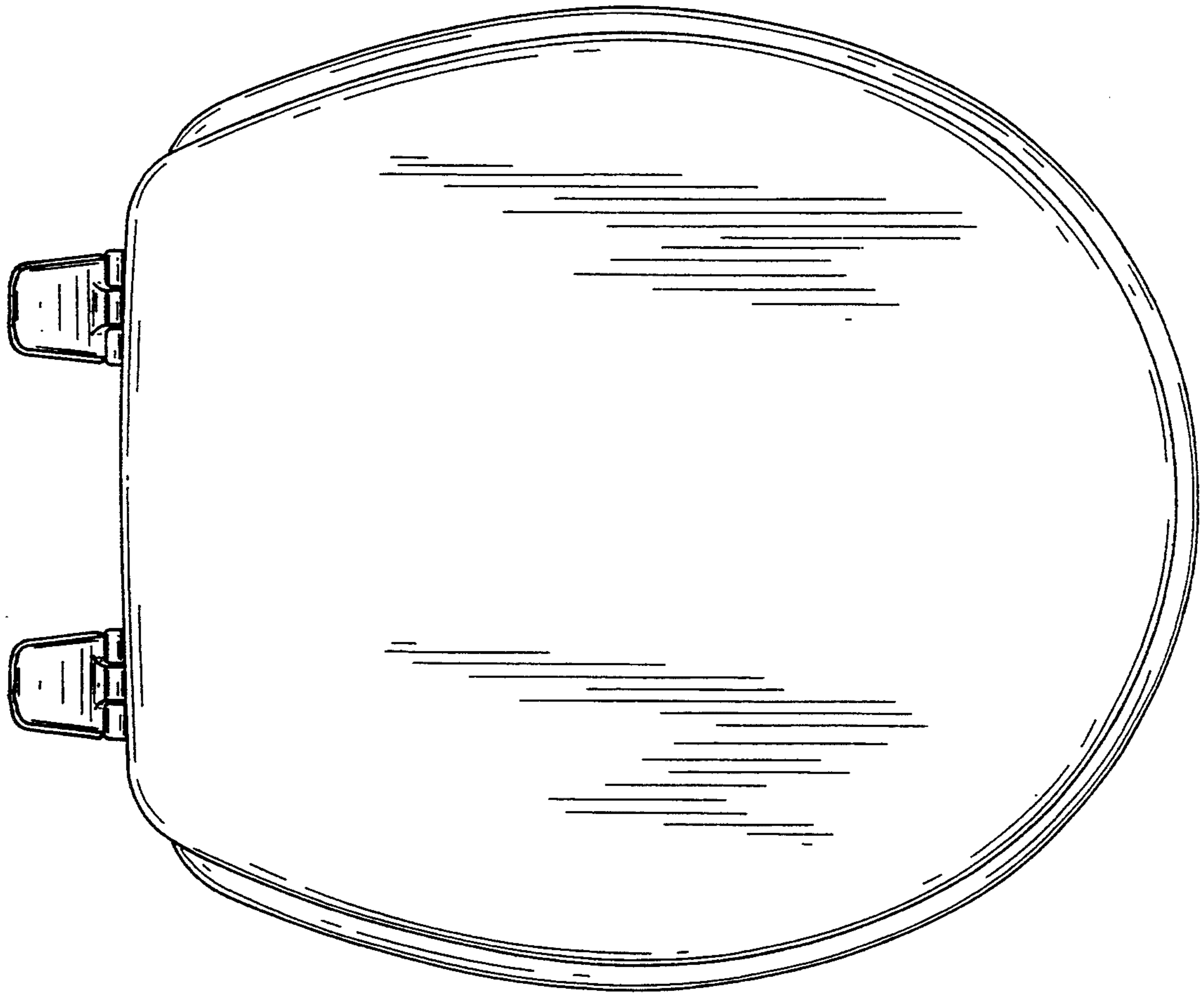


FIG. 3

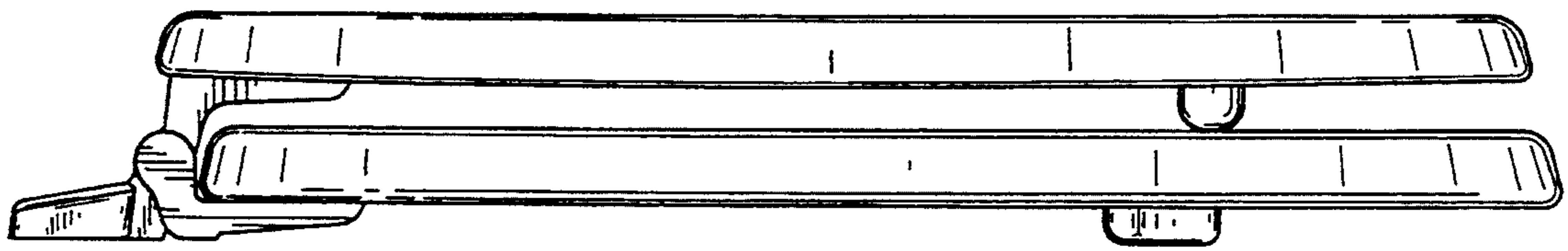


FIG. 4

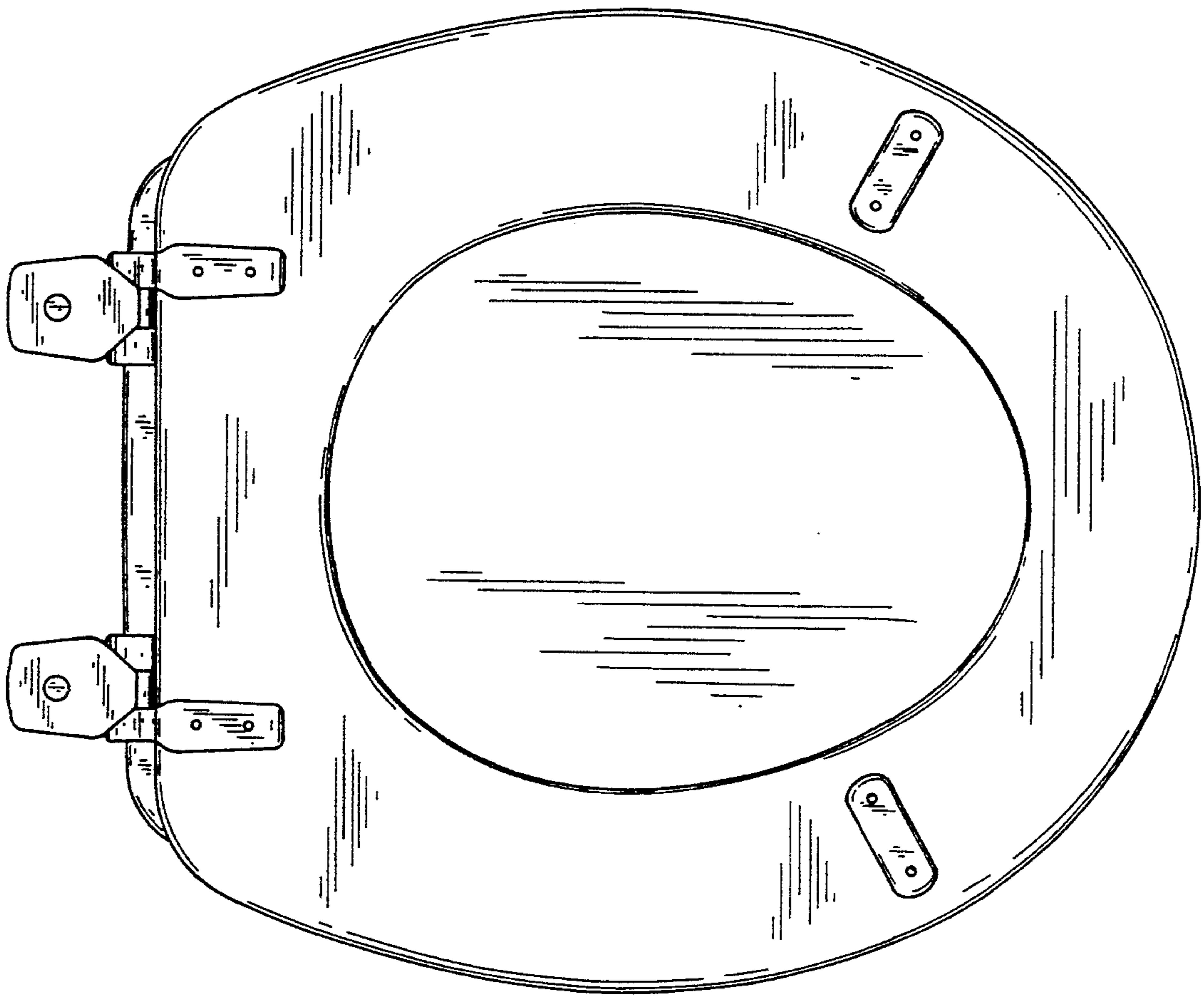


FIG. 5

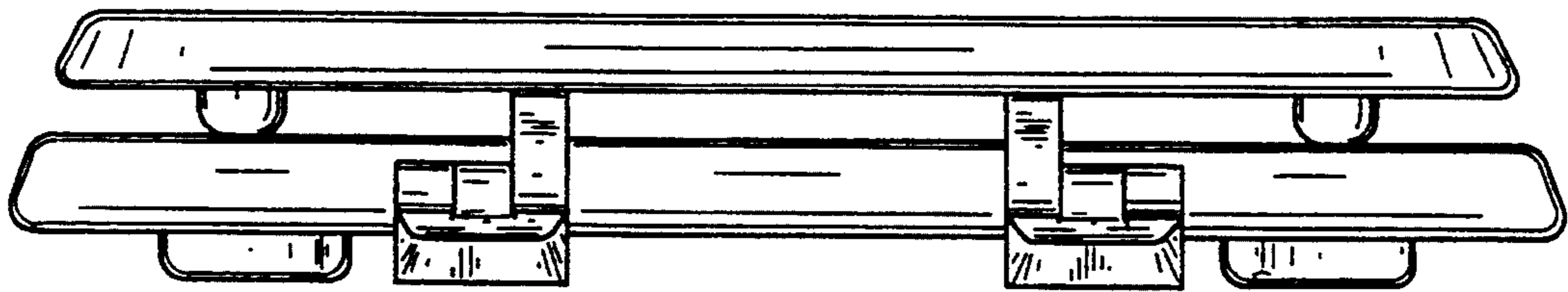


FIG. 6

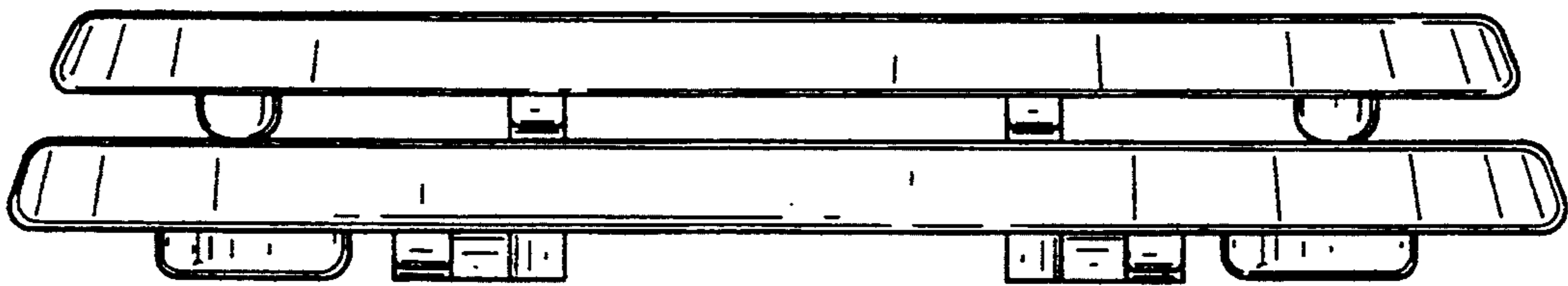


FIG. 7

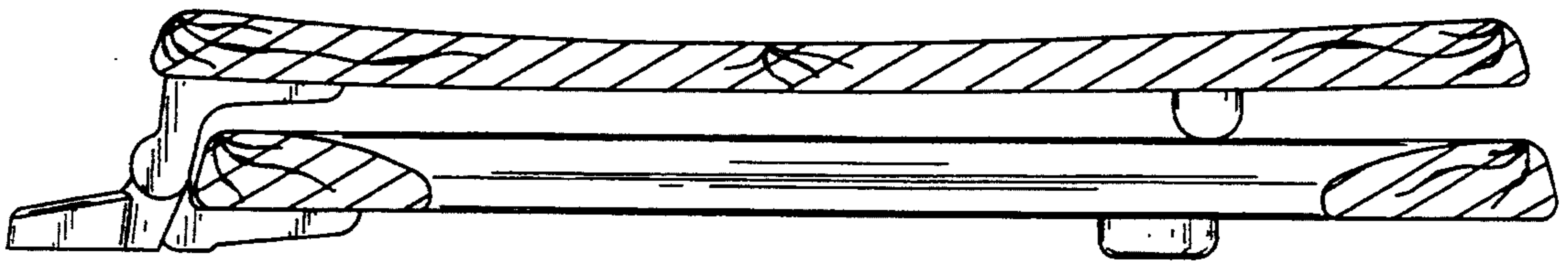


FIG. 8

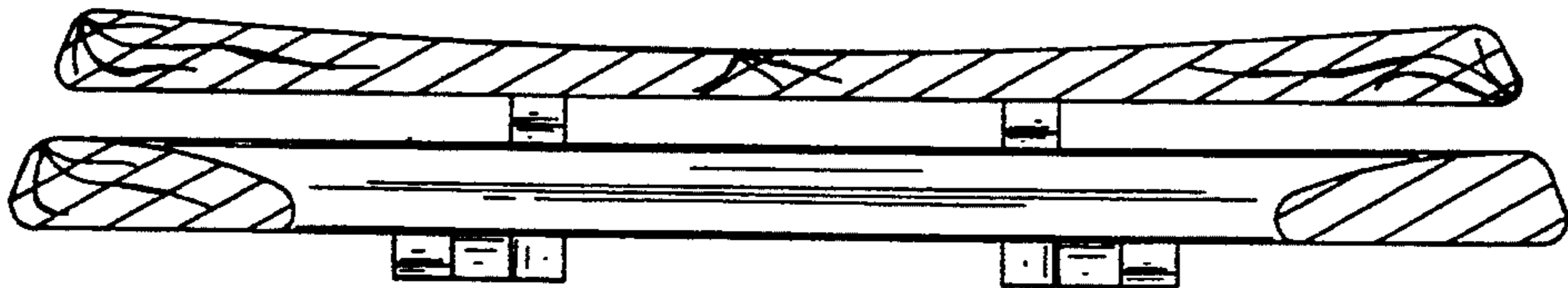


FIG. 9

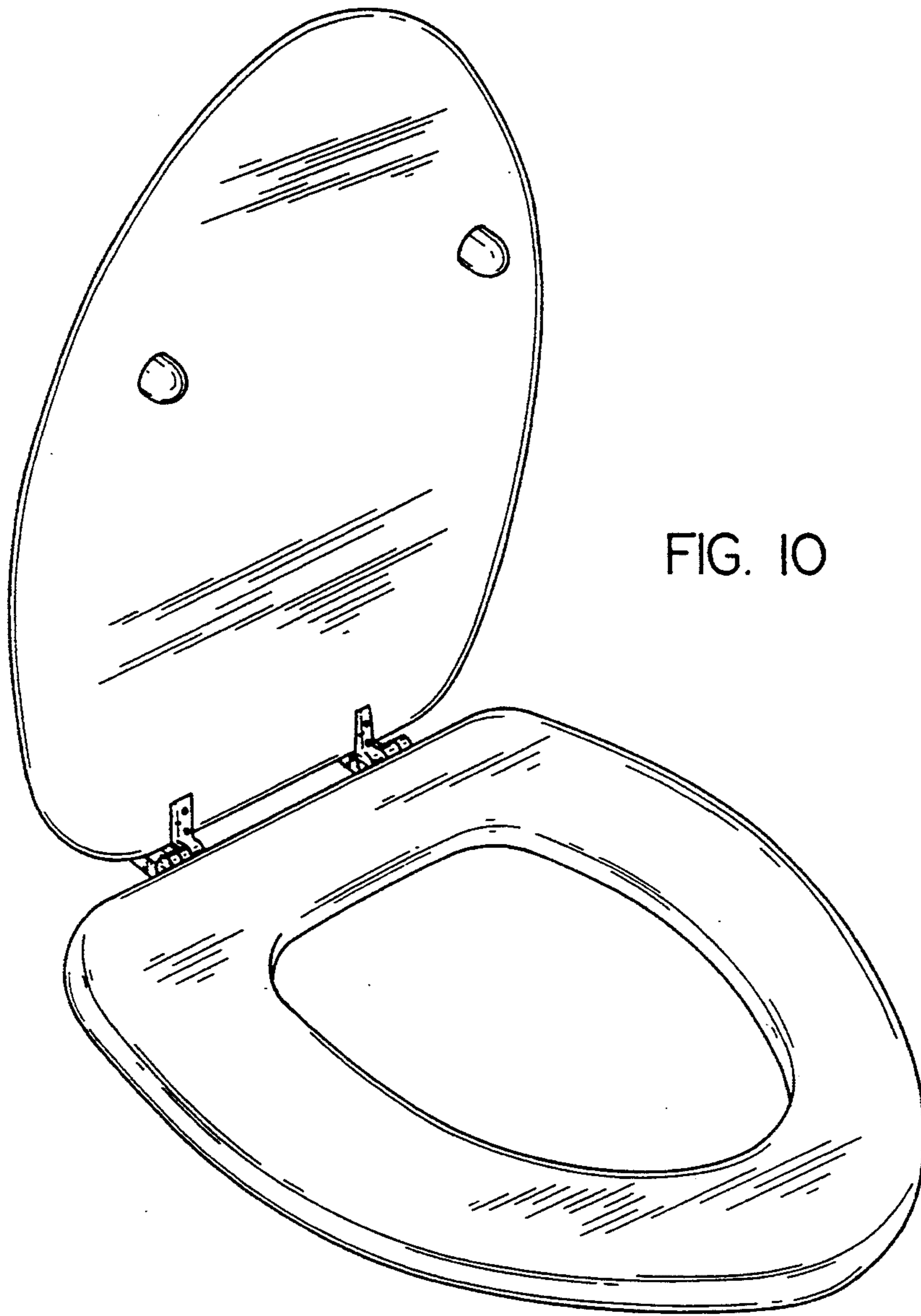


FIG. 10

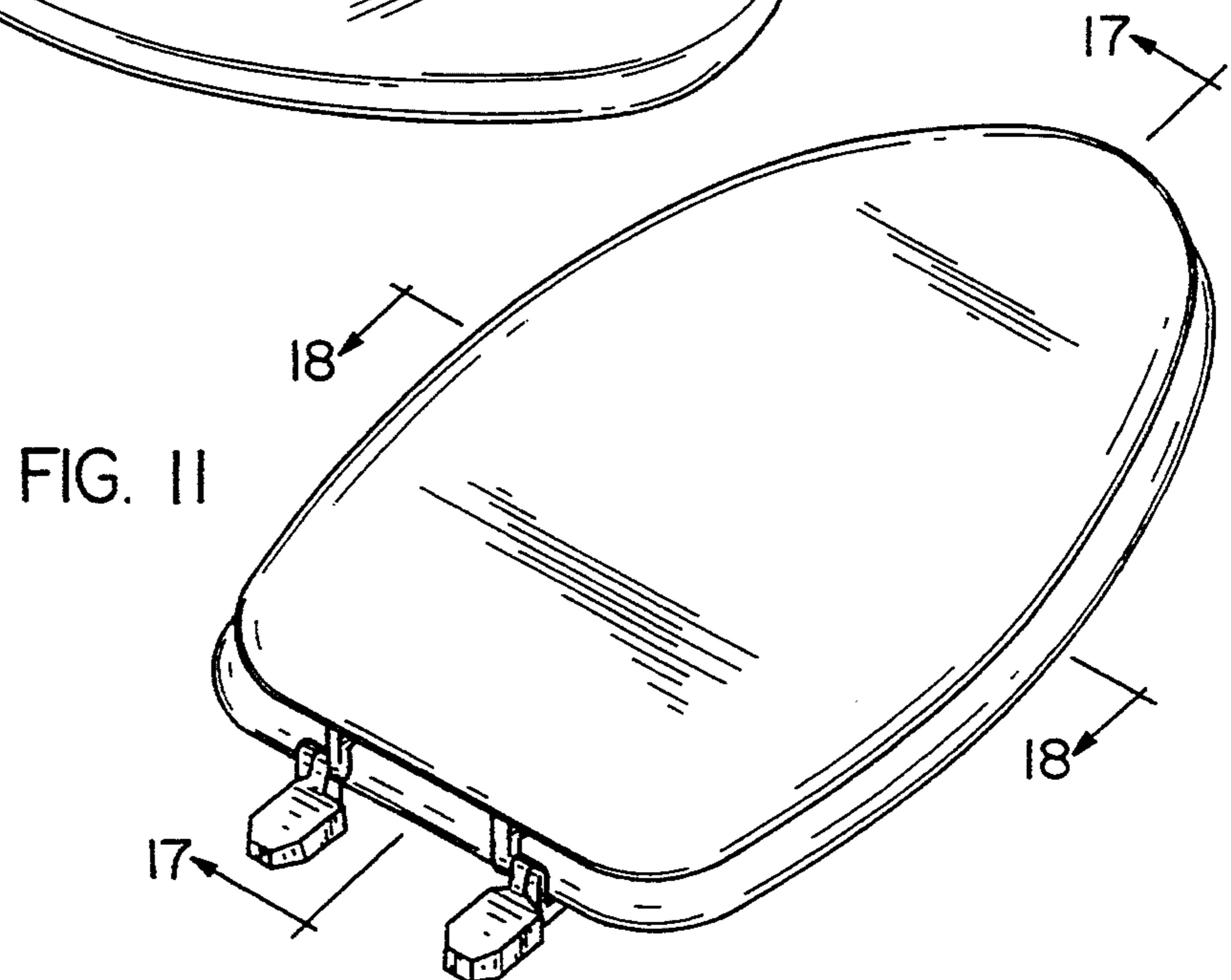


FIG. 11

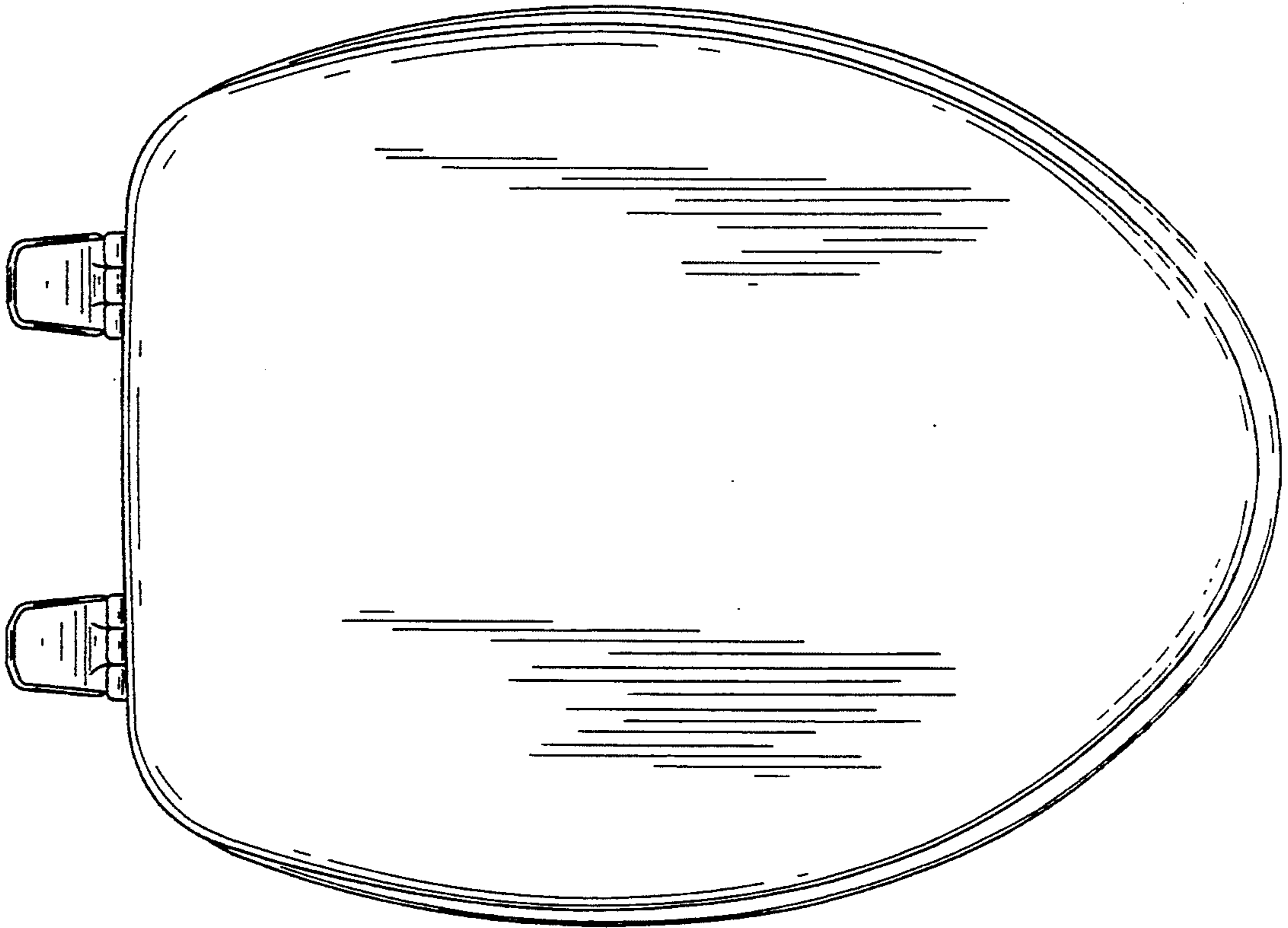


FIG. 12

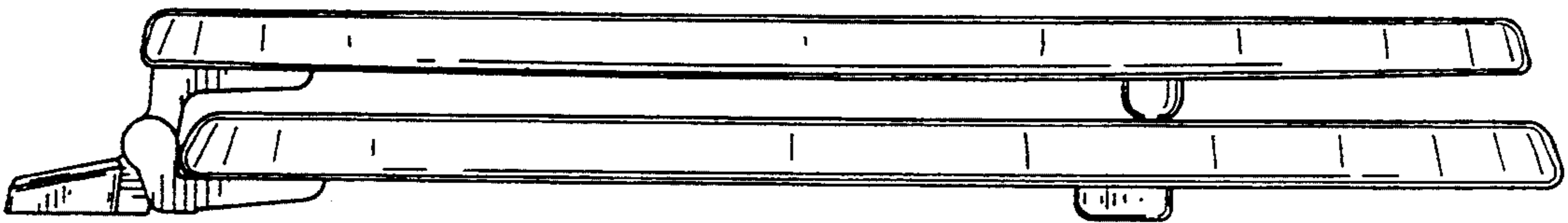


FIG. 13



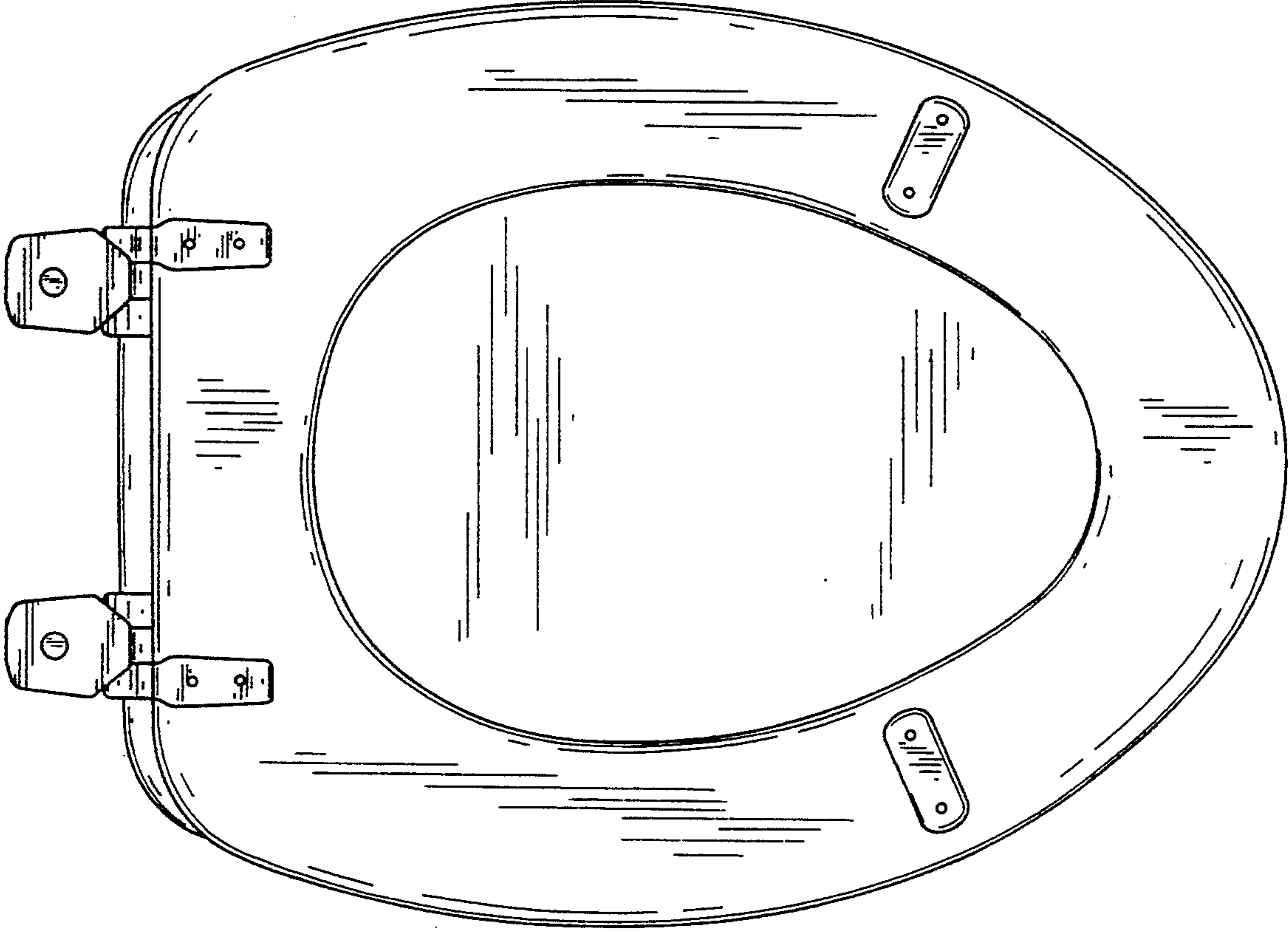


FIG. 14

FIG. 15

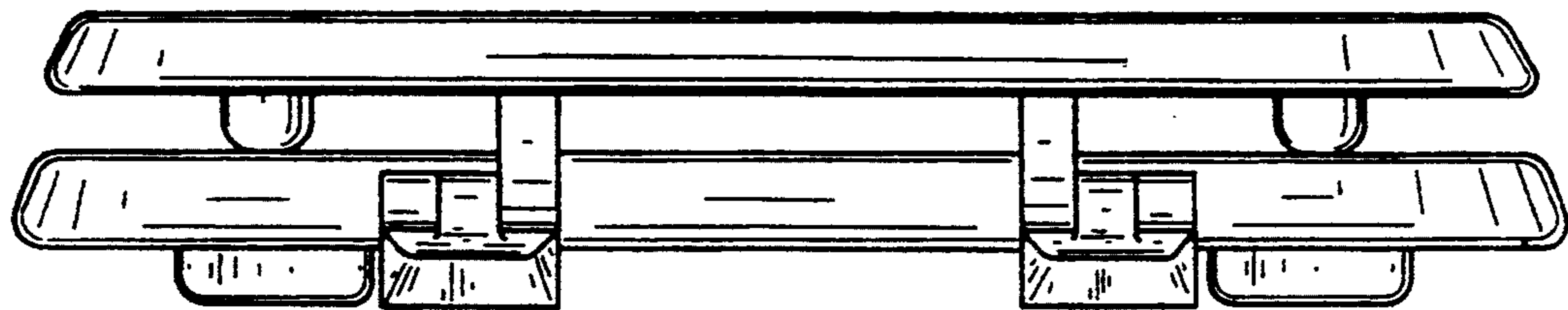
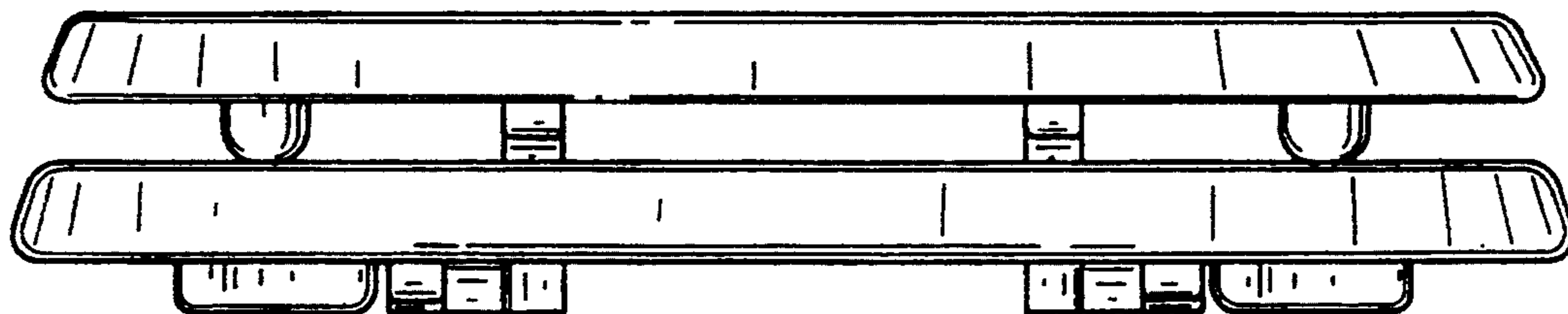


FIG. 16



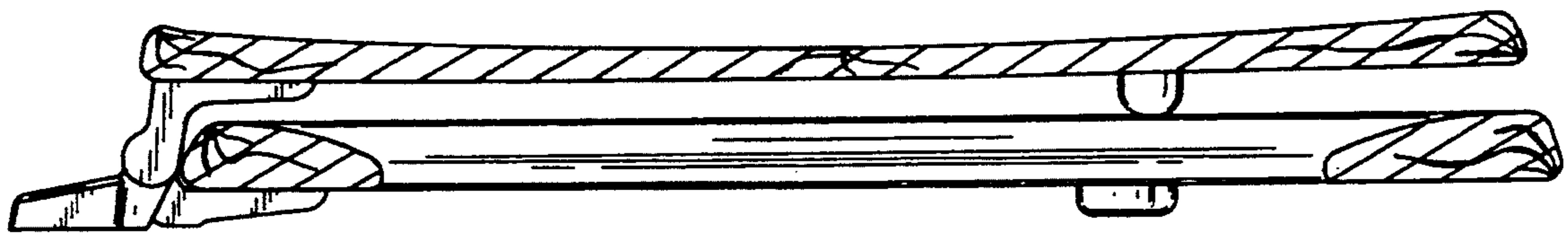


FIG. 17

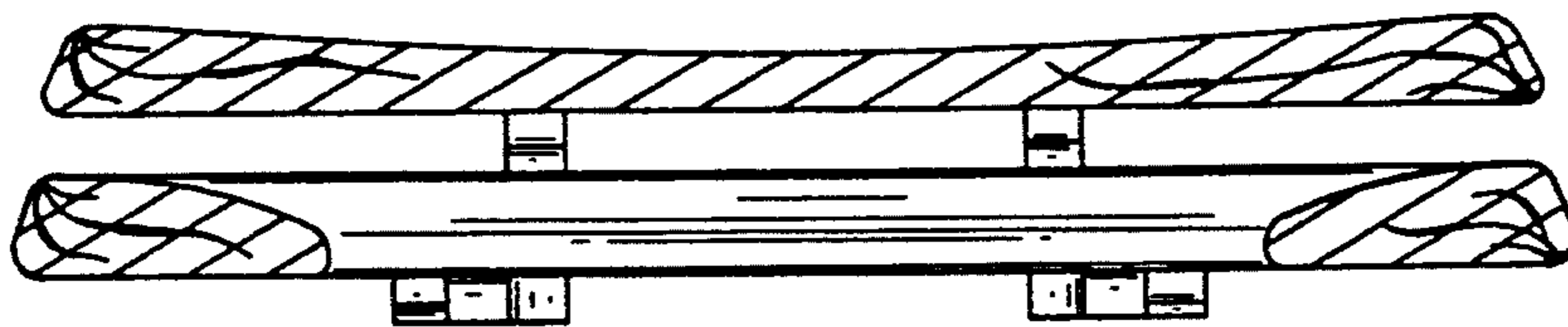


FIG. 18