



US00D355704S

# United States Patent [19]

[11] Patent Number: **Des. 355,704**

Simpson et al.

[45] Date of Patent: **\*\* Feb. 21, 1995**

[54] **FUEL NOZZLE**

[75] Inventors: **W. Dwain Simpson, Wilton; James H. Pyle, Weston, both of Conn.**

[73] Assignee: **Saber Equipment Corp., Stratford, Conn.**

[\*\*] Term: **14 Years**

[21] Appl. No.: **895,398**

[22] Filed: **Jun. 9, 1992**

[52] U.S. Cl. .... **D23/226; D23/223**

[58] Field of Search ..... **D23/226, 213, 223-227; 239/589, 590, 301, 332, 373, 394, 414-415, 525-528, 532, 554, 556, DIG. 14; 222/14, 505, 566**

[56] **References Cited**

**U.S. PATENT DOCUMENTS**

- D. 132,994 7/1942 Neef, Jr. .... D23/226
- D. 206,928 2/1967 Noyes et al. .... D23/226
- D. 219,214 11/1970 Eklund ..... D23/226

- D. 223,915 6/1972 Brown et al. .... D23/226
- D. 263,618 3/1982 Taylor ..... D23/226
- 3,734,339 5/1973 Young ..... 222/205
- 3,974,865 8/1976 Fenton et al. .... 141/311

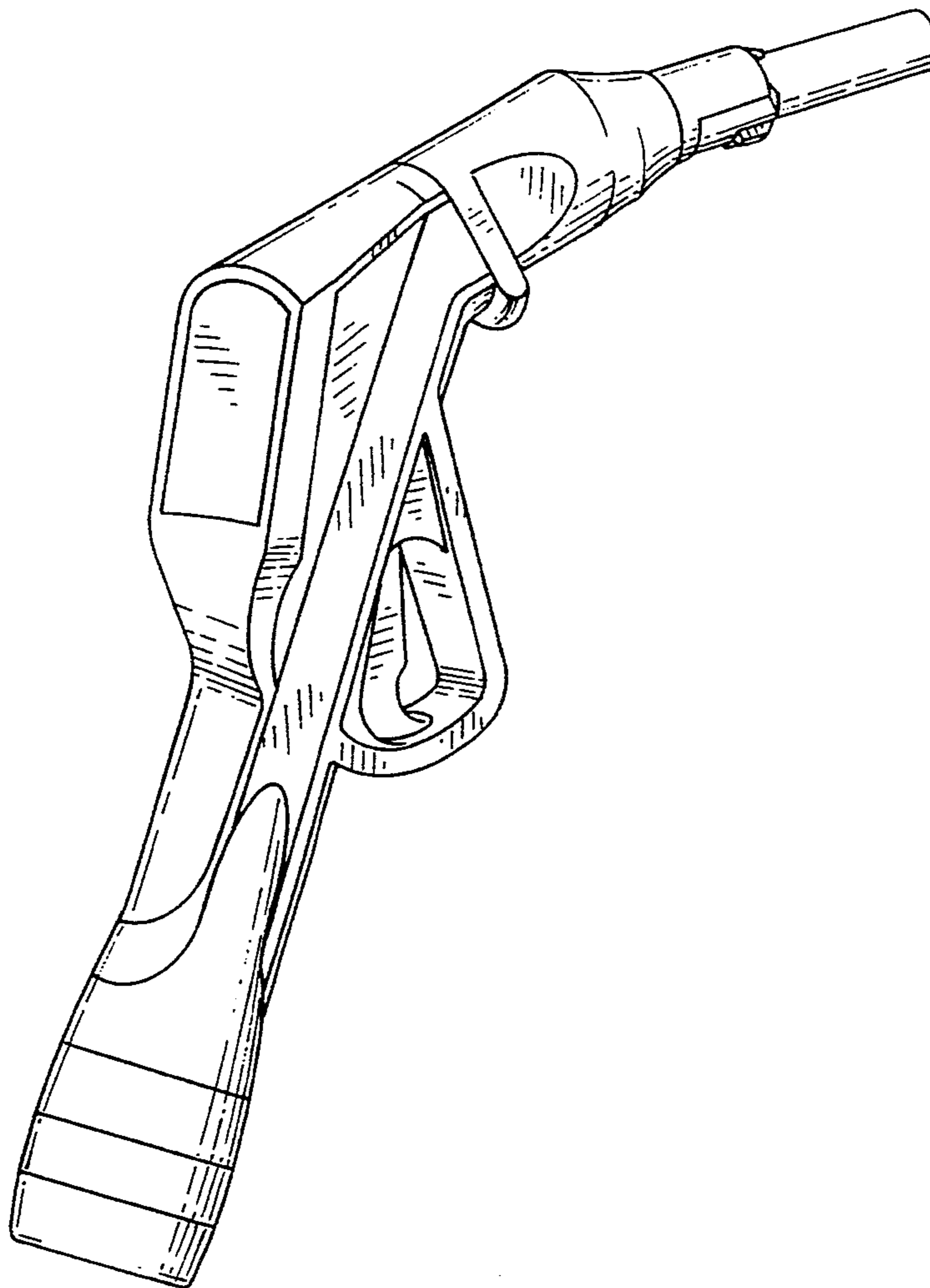
*Primary Examiner*—Wallace R. Burke  
*Assistant Examiner*—Robin Taylor  
*Attorney, Agent, or Firm*—Douglas P. Dreyer

[57] **CLAIM**

The ornamental design for a fuel nozzle, as shown and described.

**DESCRIPTION**

FIG. 1 is a perspective view of a fuel nozzle showing our new design;  
 FIG. 2 is a side view thereof, with the undisclosed side being a mirror image;  
 FIG. 3 is a rear view thereof as seen from the left of FIG. 2;  
 FIG. 4 is a front view thereof as seen from the right of FIG. 2;  
 FIG. 5 is a top view thereof; and,  
 FIG. 6 is a bottom view thereof.



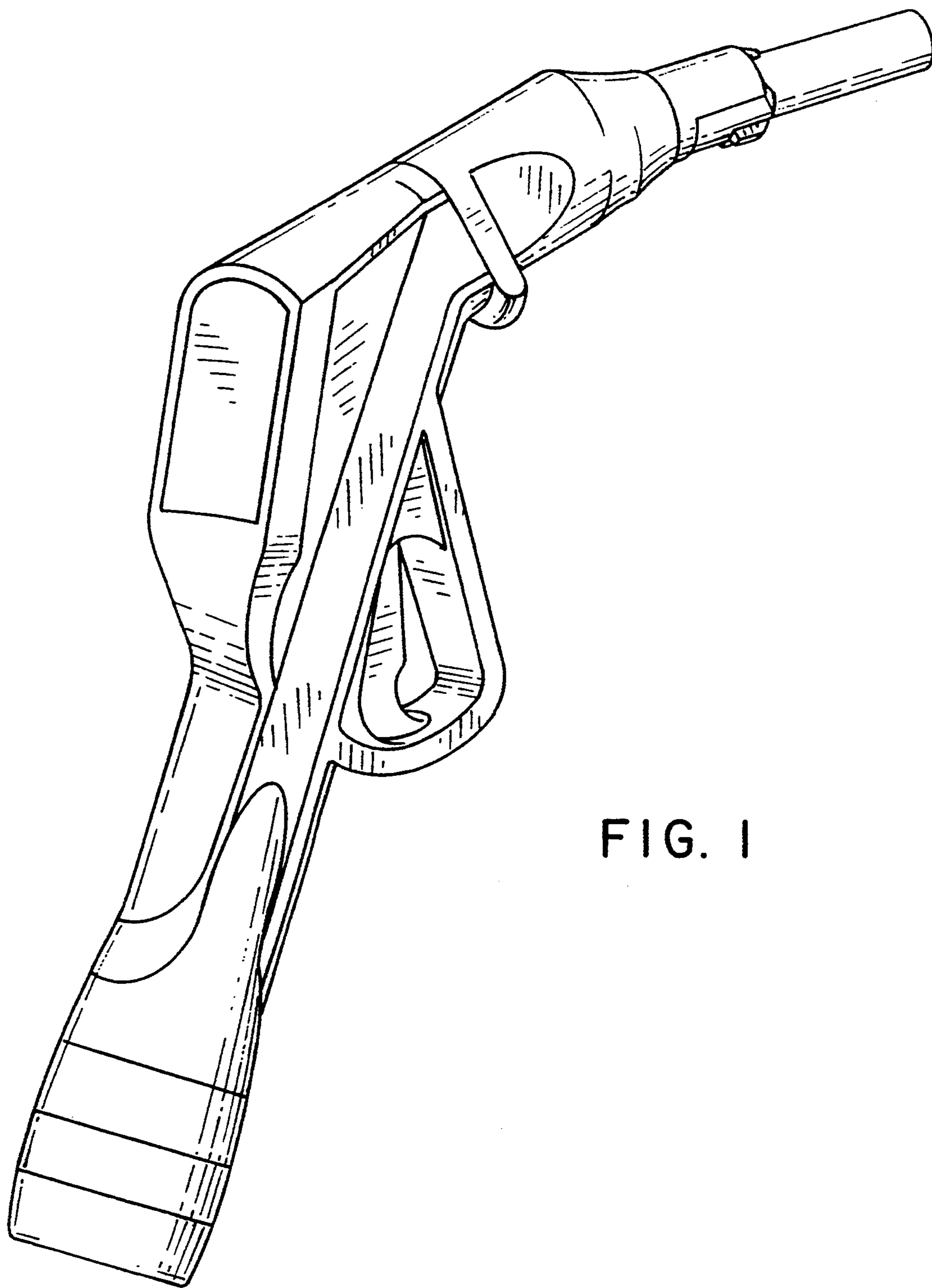


FIG. 1

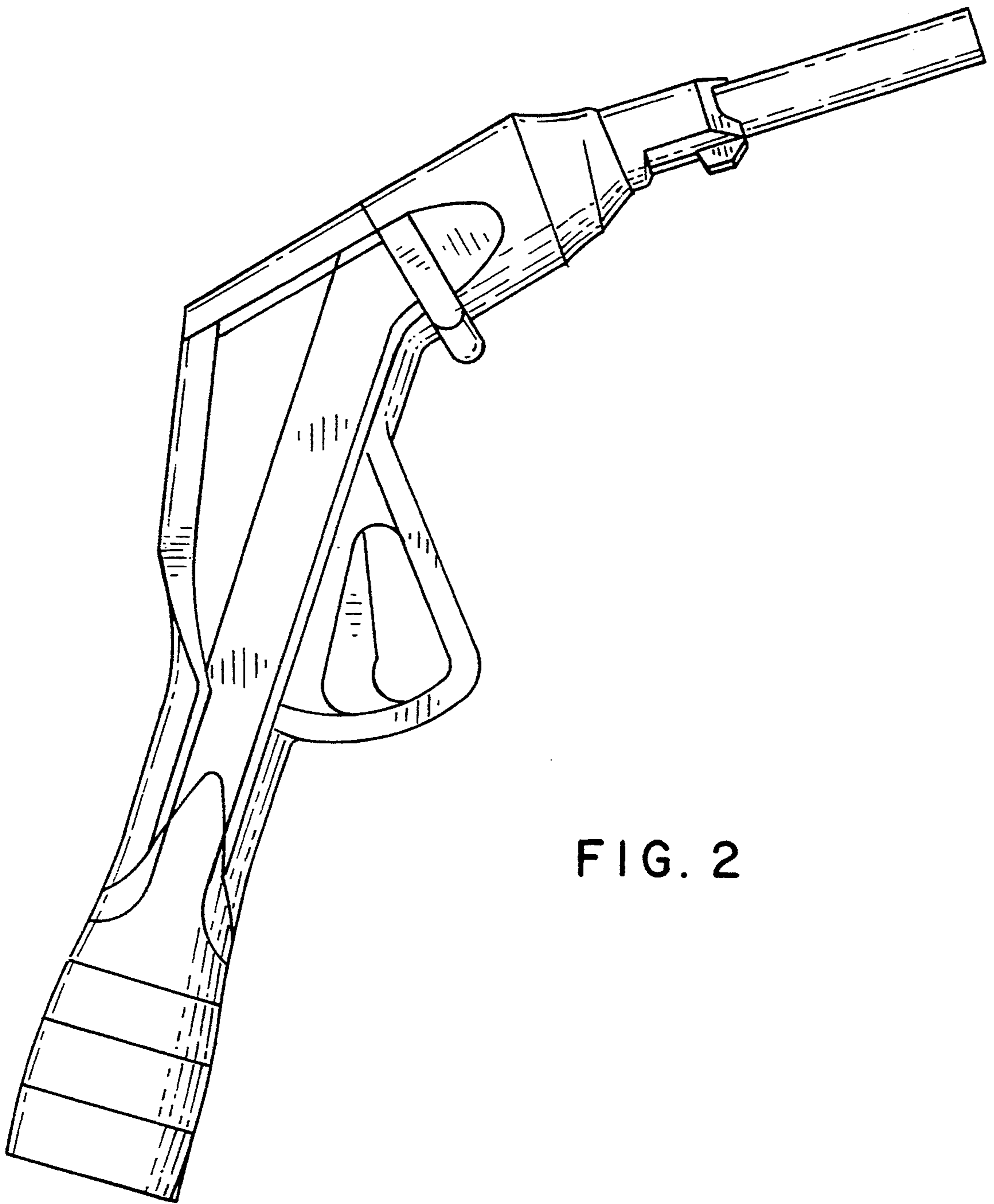


FIG. 2

FIG. 3

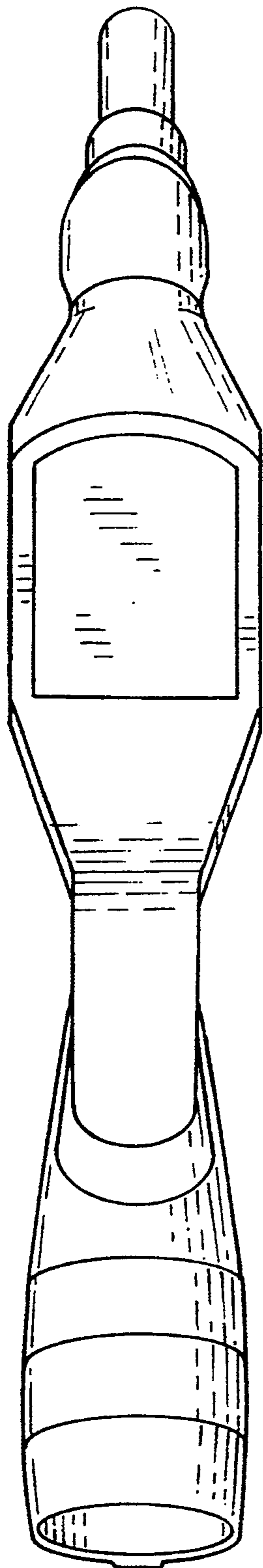


FIG. 4

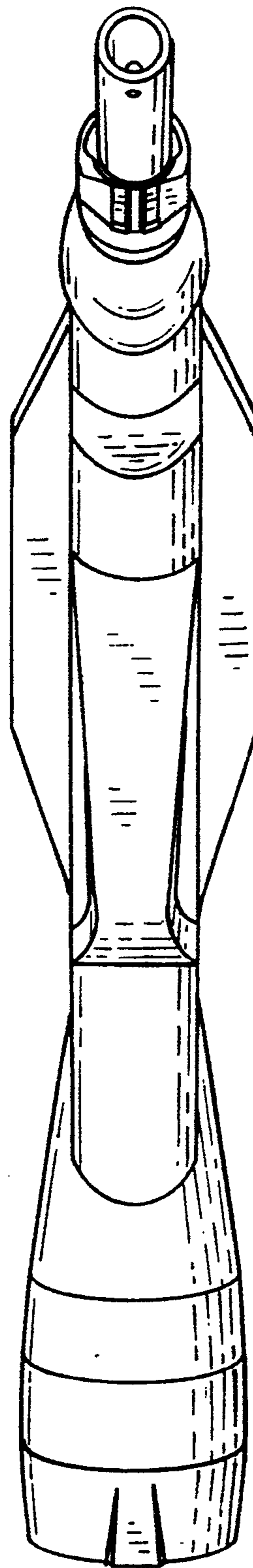


FIG. 5

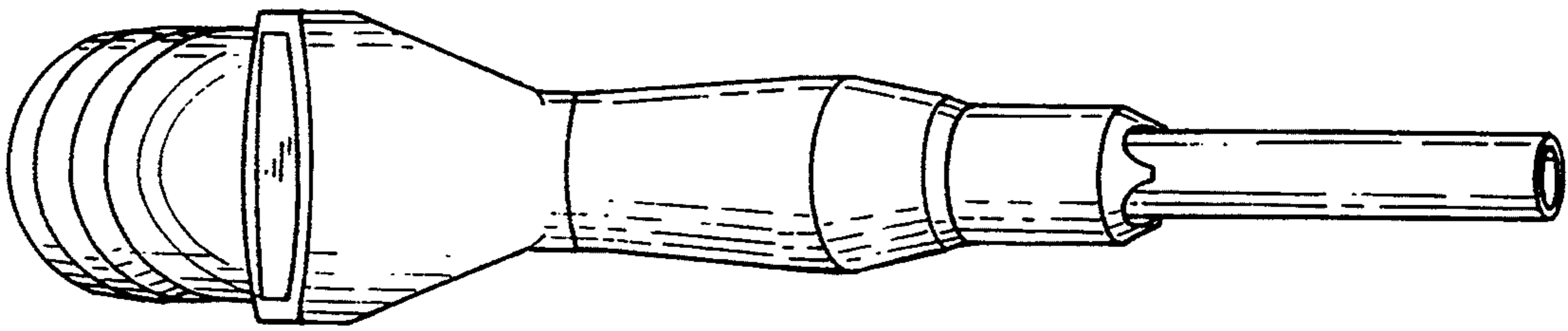


FIG. 6

