



US00D355703S

United States Patent [19]

[11] Patent Number: **Des. 355,703**

Duell

[45] Date of Patent: **** Feb. 21, 1995**

[54] **FLUID NOZZLE**

[76] Inventor: **Graham Duell**, 58 Smyth Street, Mount Waverley, Victoria 3149, Australia

[**] Term: **14 Years**

[21] Appl. No.: **18,985**

[22] Filed: **Feb. 18, 1994**

[30] **Foreign Application Priority Data**

Aug. 18, 1993 [AU] Australia 2550/93

[52] U.S. Cl. **D23/213; D23/223**

[58] Field of Search **D23/213, 223-229; 239/373, 394, 414-415, 525-528, 589**

[56] **References Cited**

U.S. PATENT DOCUMENTS

D. 98,259	1/1936	Kramer	D23/229
1,203,607	11/1916	Gladding	239/288
2,087,139	7/1937	Cameron	239/288.5
2,826,455	3/1958	Furton	239/288.5
2,993,655	7/1961	O'Brien	D23/229

OTHER PUBLICATIONS

Fuel oil & Oil Heat Catalog p. 129 Sep. 1959 Buckeye Nozzle.

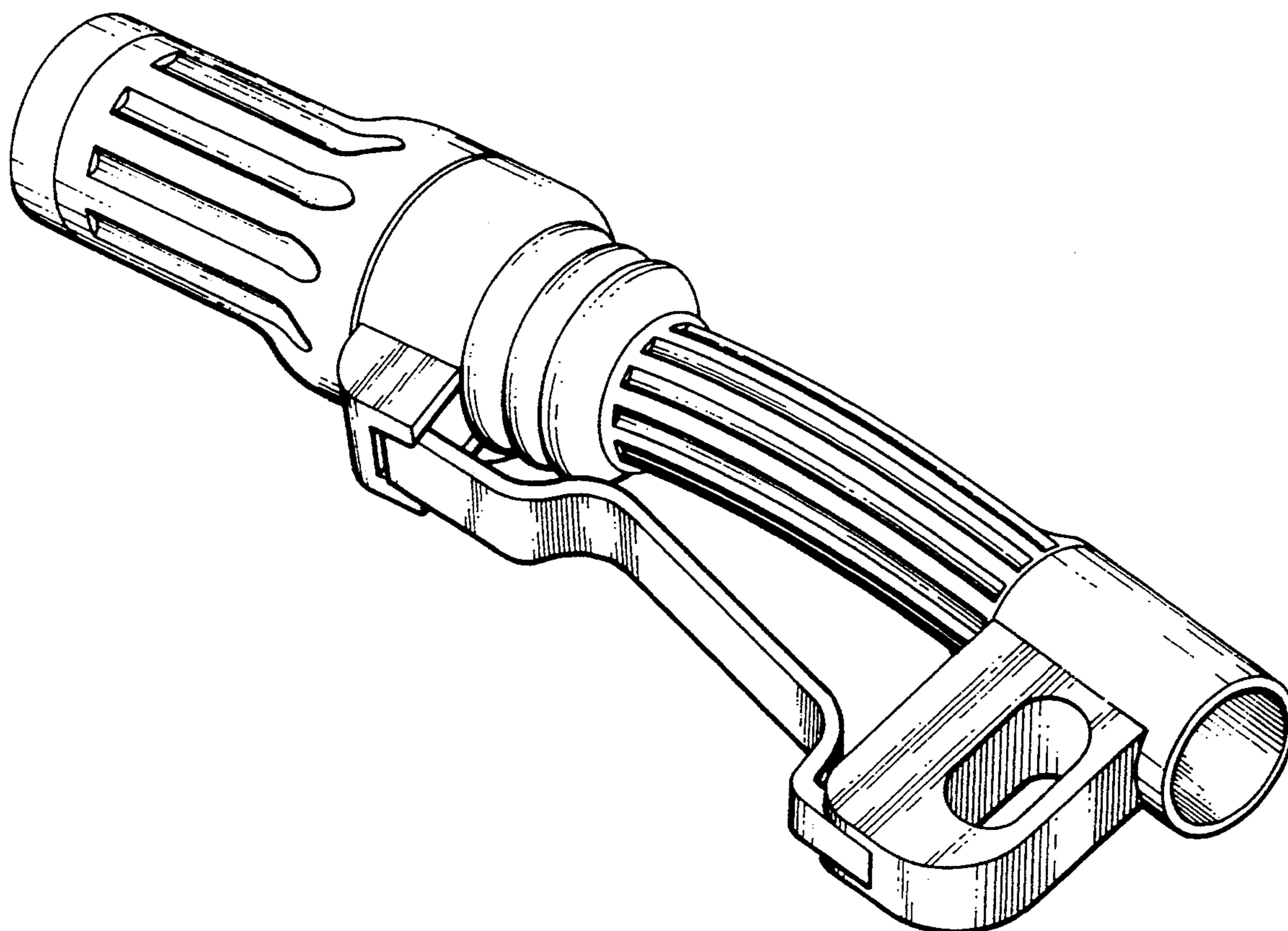
Primary Examiner—Wallace R. Burke
Assistant Examiner—Robin V. Taylor
Attorney, Agent, or Firm—Knobbe, Martens, Olson & Bear

[57] **CLAIM**

The ornamental design for a fluid nozzle, as shown and described.

DESCRIPTION

FIG. 1 is a front perspective view of the fluid nozzle of the present invention;
FIG. 2 is a left-side elevational view of the fluid nozzle of FIG. 1;
FIG. 3 is a rear perspective view of the fluid nozzle of FIG. 1;
FIG. 4 is a right-side elevational view of the fluid nozzle of FIG. 1;
FIG. 5 is a front elevational view of the fluid nozzle of FIG. 1; and,
FIG. 6 is a rear elevational view of the fluid nozzle of FIG. 1.



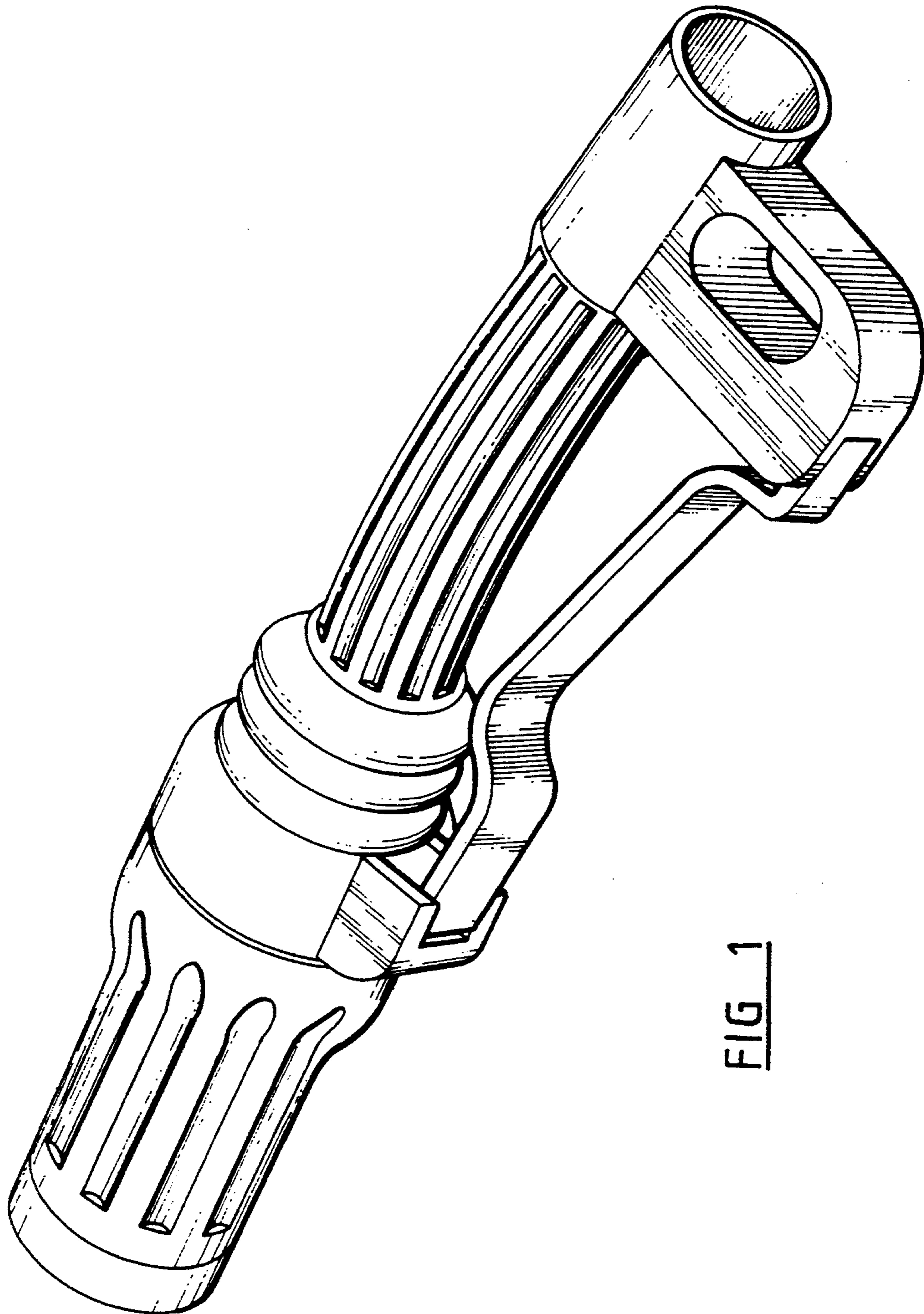


FIG 1

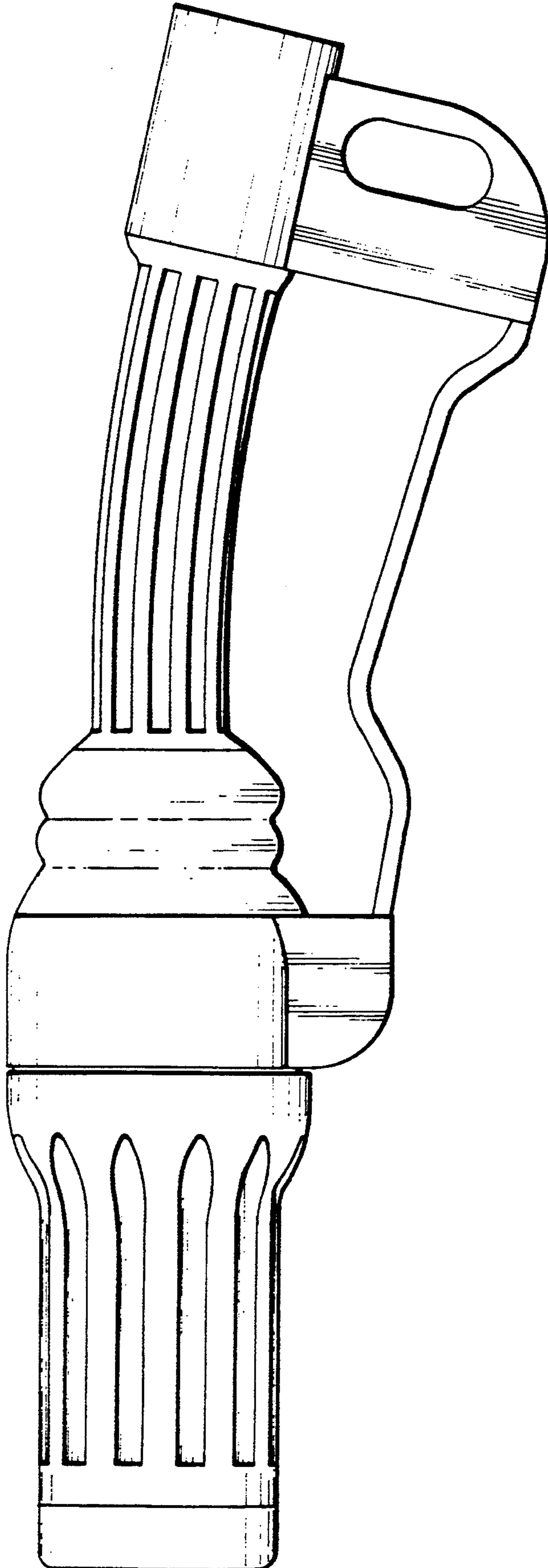


FIG 2

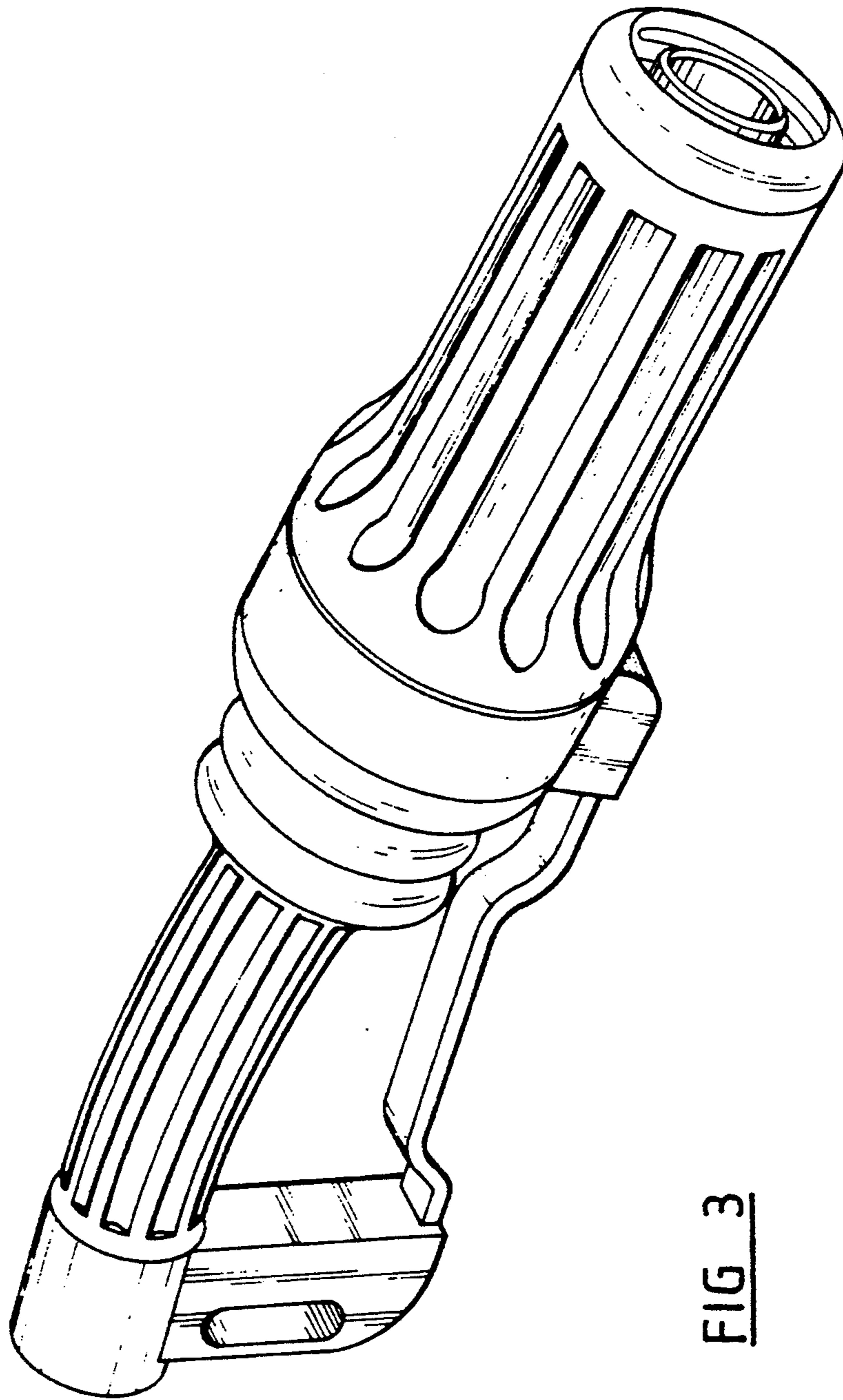


FIG 3

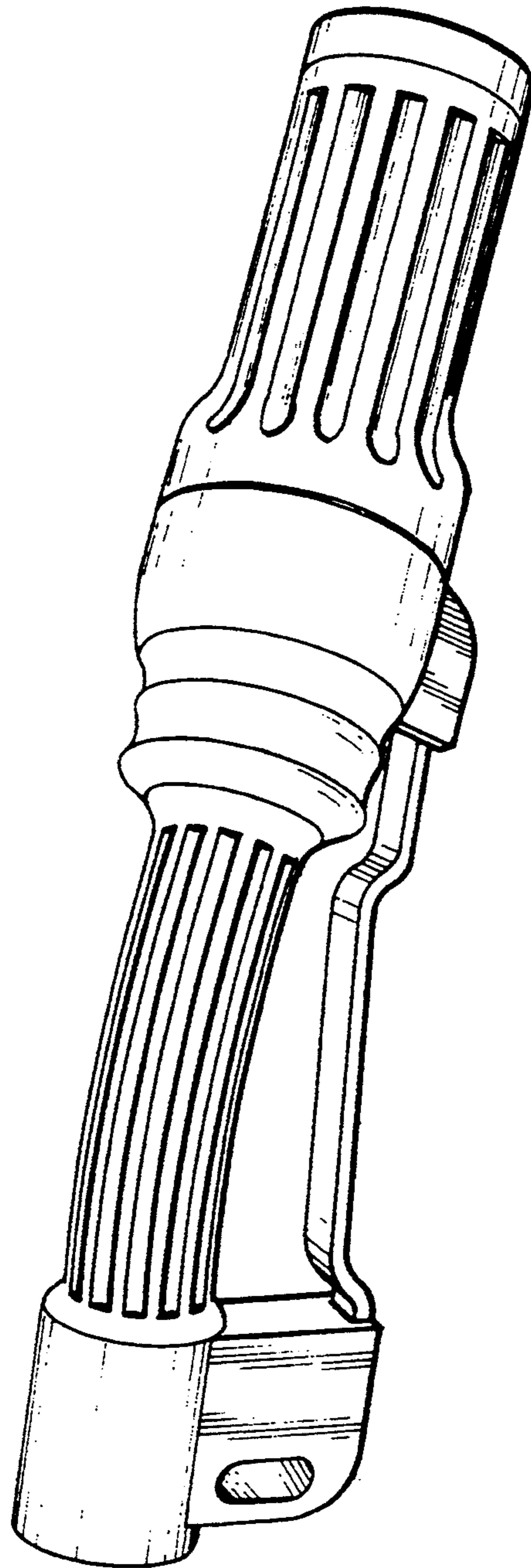


FIG 4

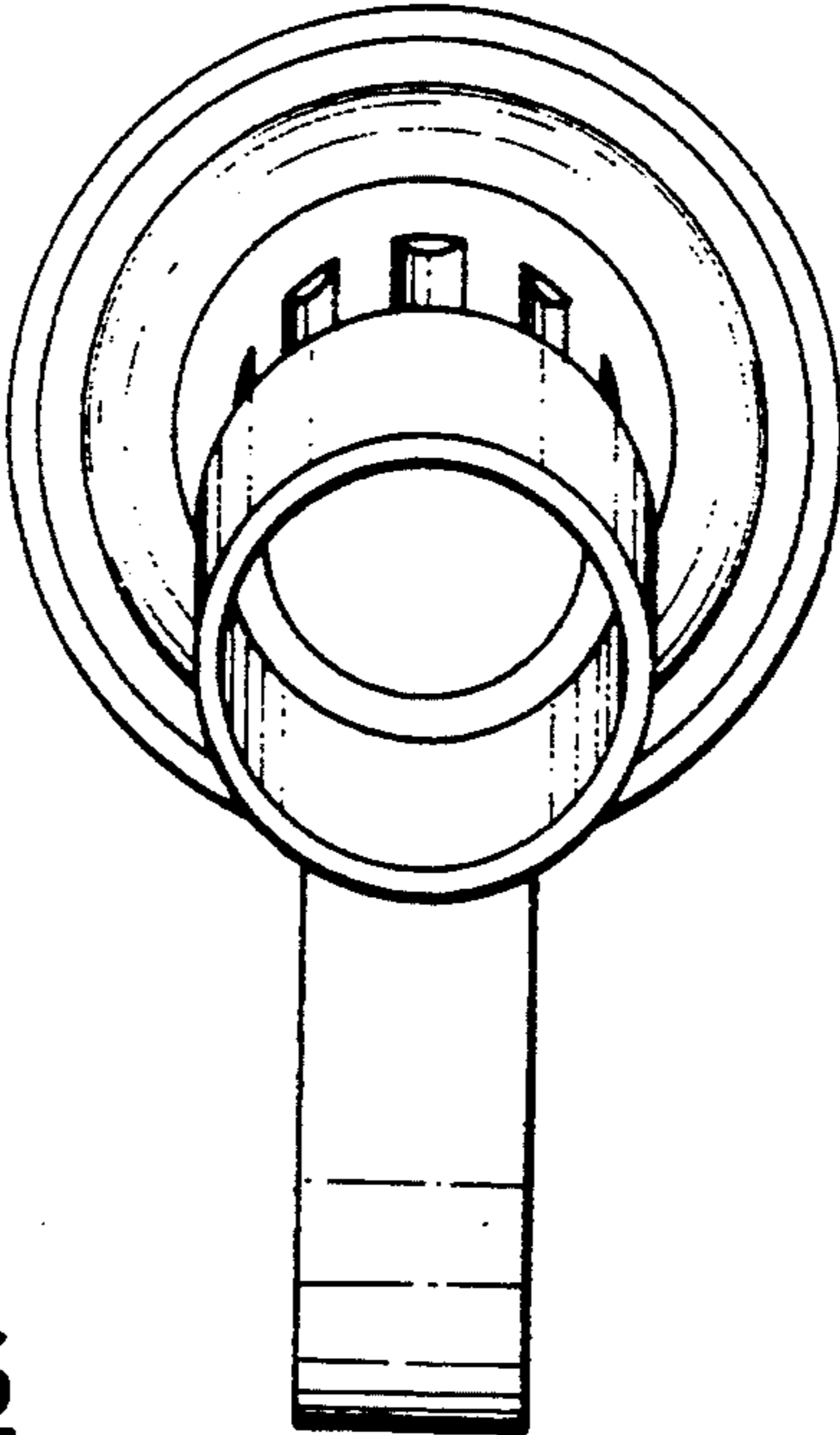


FIG 5

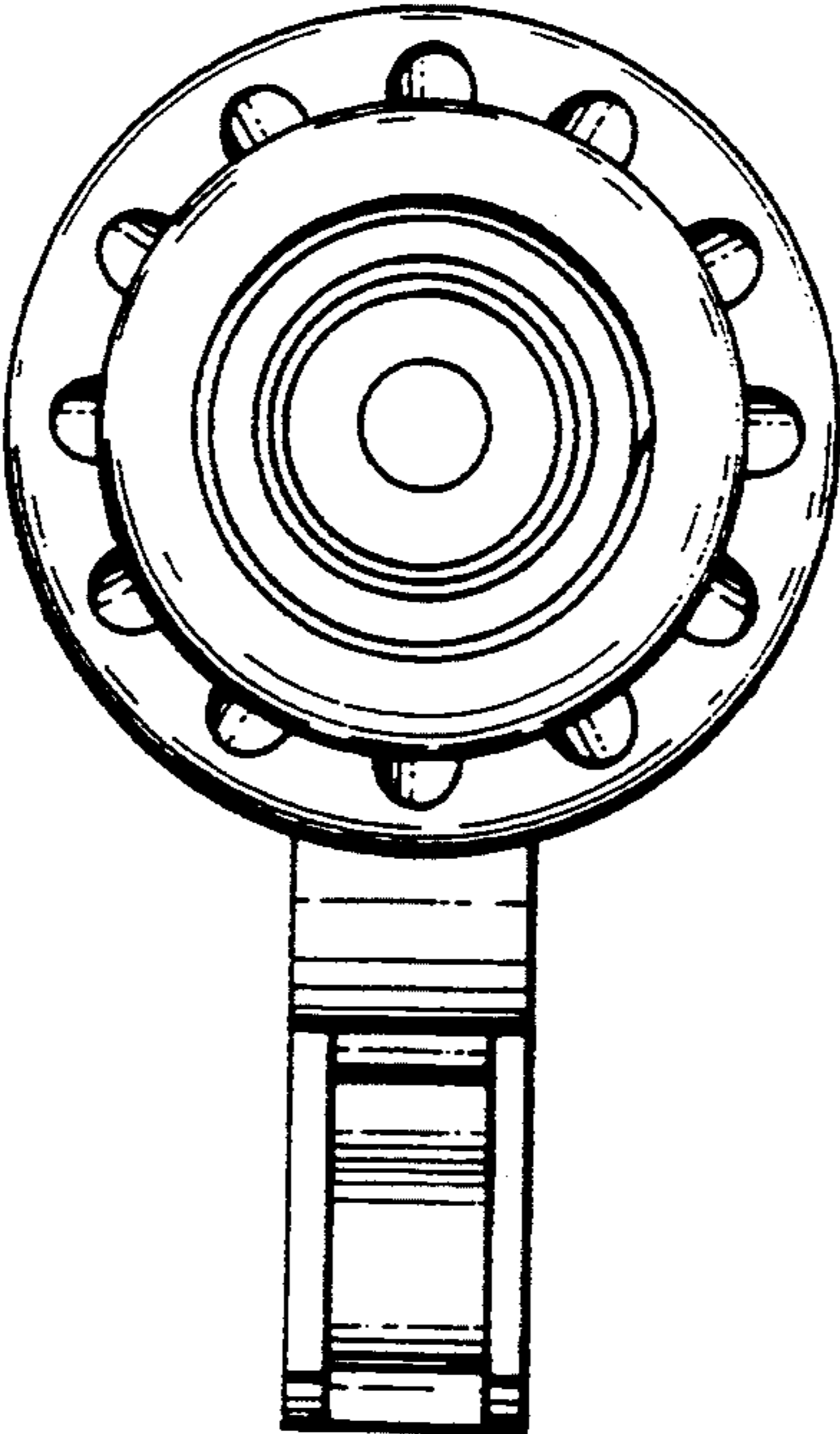


FIG 6