



US00D355702S

United States Patent [19]
Johnson

[11] **Patent Number: Des. 355,702**

[45] **Date of Patent: ** Feb. 21, 1995**

[54] **FILTER FOR ATTACHMENT TO AN IN-EAR HEARING AID TO PREVENT THE MIGRATION OF EAR WAX INTO THE HEARING AID**

[76] **Inventor: Ronald D. Johnson, 719 24½ Rd., Grand Junction, Colo. 81505**

[**] **Term: 14 Years**

[21] **Appl. No.: 3,114**

[22] **Filed: Dec. 28, 1992**

Related U.S. Application Data

[63] Continuation-in-part of Ser. No. 708,060, May 30, 1991, abandoned.

[52] **U.S. Cl. D23/209; D24/174**

[58] **Field of Search D23/207-210; 381/68, 68.6, 69, 69.1, 69.2, 68.7, 187; 181/130, 135; D24/106, 173-174**

References Cited

U.S. PATENT DOCUMENTS

D. 267,429 12/1982 Marada D24/174
4,553,627 11/1985 Gastmeier et al. 381/68.6 X
4,945,569 7/1990 Kulman 381/68 X

4,972,488 11/1990 Weiss et al. 381/68 X
5,166,659 11/1992 Navarro 381/68.6

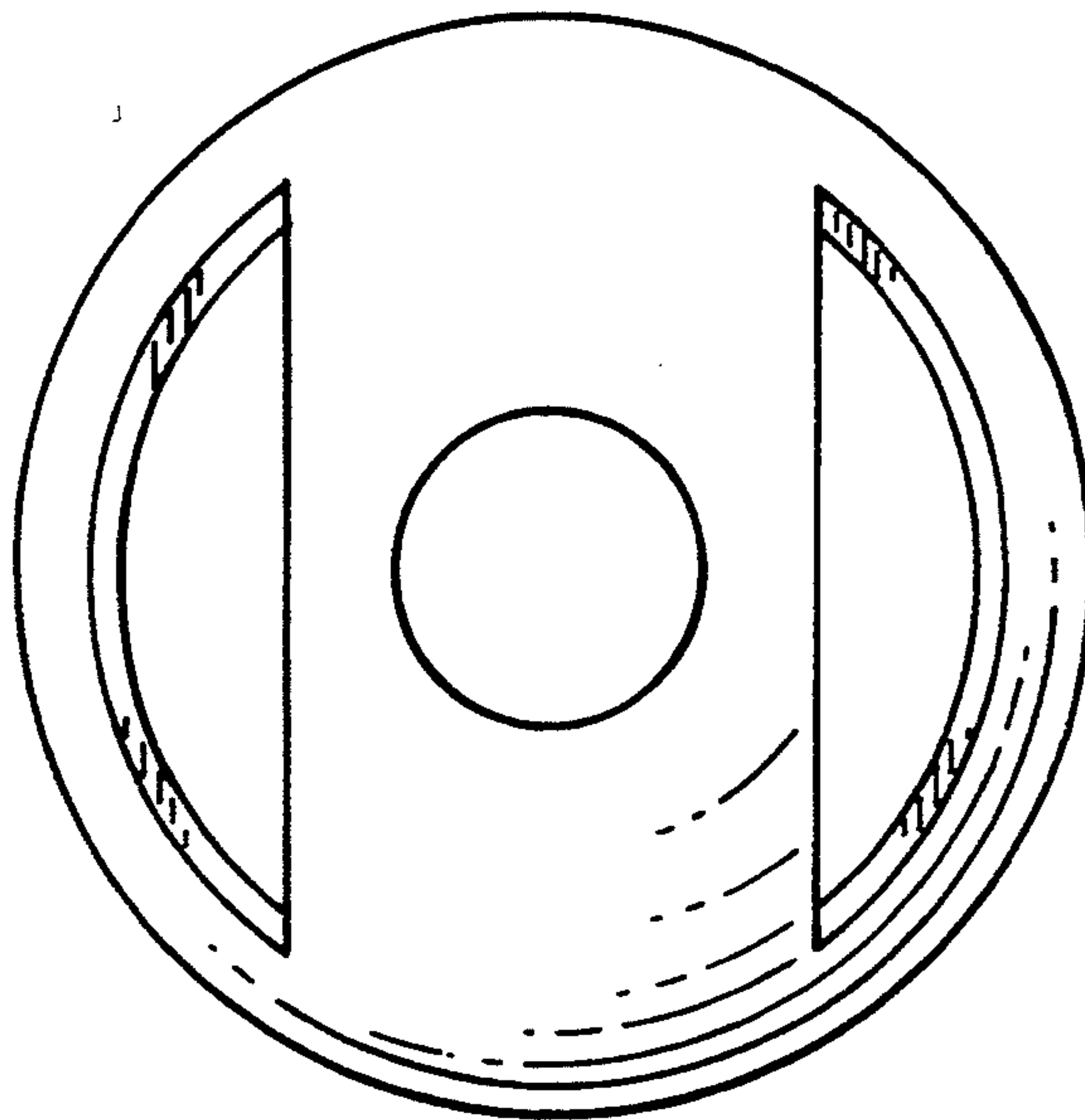
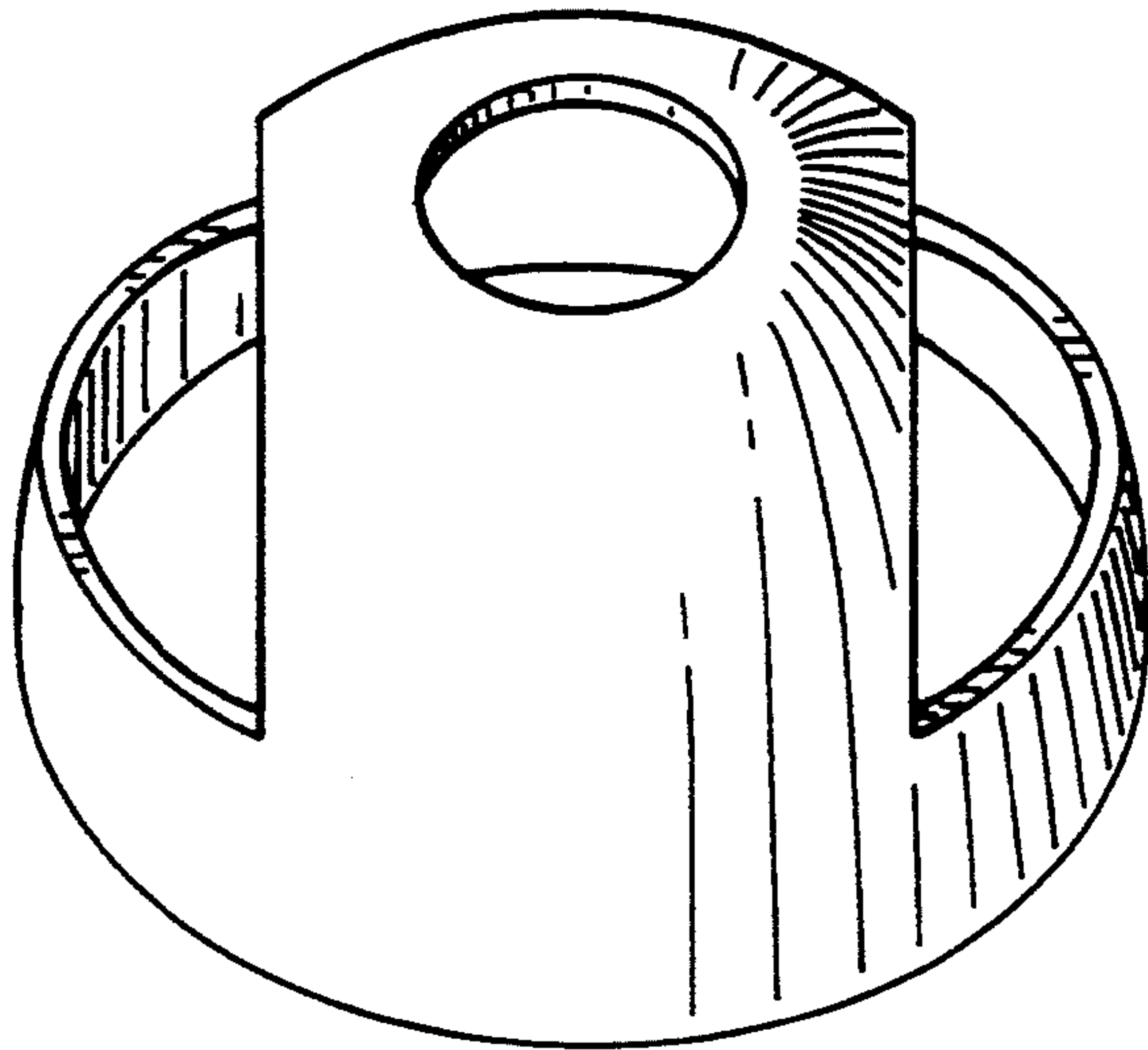
Primary Examiner—Wallace R. Burke
Assistant Examiner—M. H. Tung
Attorney, Agent, or Firm—Donald W. Erickson

[57] **CLAIM**

The ornamental design for a filter for attachment to an in-ear hearing aid to prevent the migration of ear wax into the hearing aid, as shown and described.

DESCRIPTION

FIG. 1 is a side perspective view of a filter for attachment to an in-ear hearing aid to prevent the migration of ear wax into the hearing aid showing my new design; FIG. 2 is a top plan view thereof; FIG. 3 is a side elevational view thereof, the opposite side is identical; FIG. 4 is a bottom plan view thereof; FIG. 5 is a top plan view of a second embodiment thereof; FIG. 6 is a bottom plan view of the embodiment of FIG. 5; and, FIG. 7 is a side elevational view of the embodiment of FIG. 5, the opposite side, front and rear views are all identical.



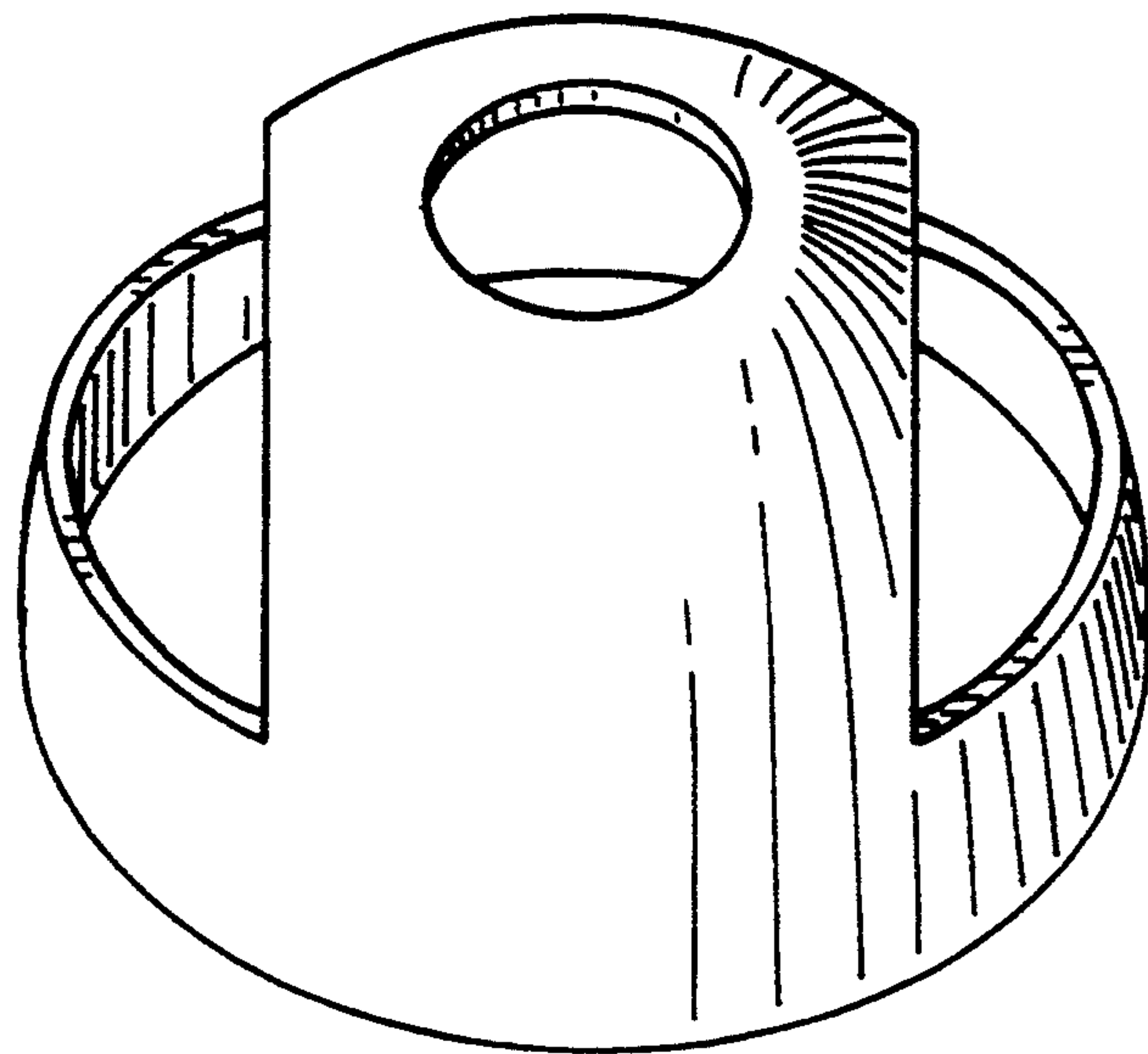


FIG. 1

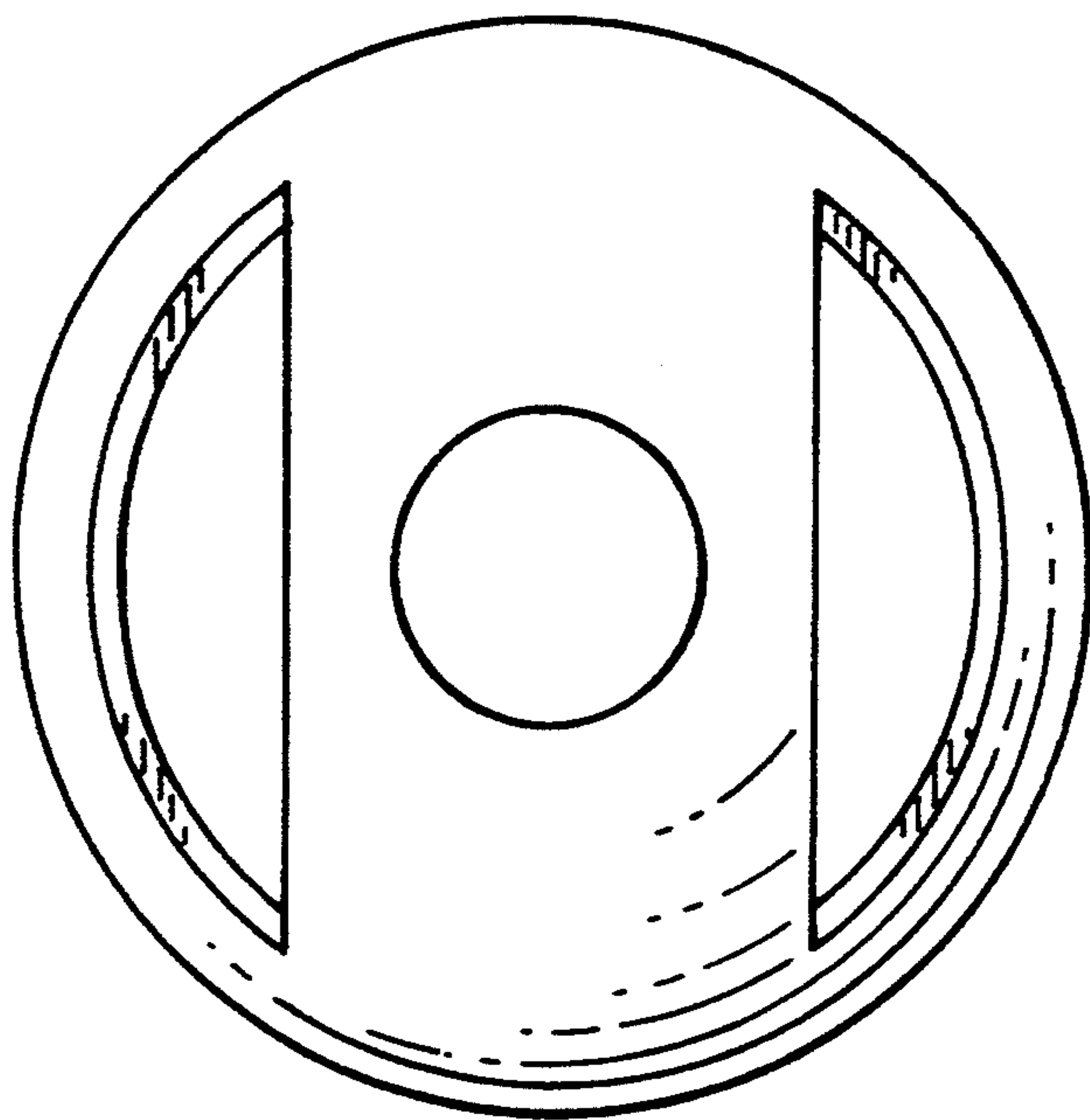


FIG. 2

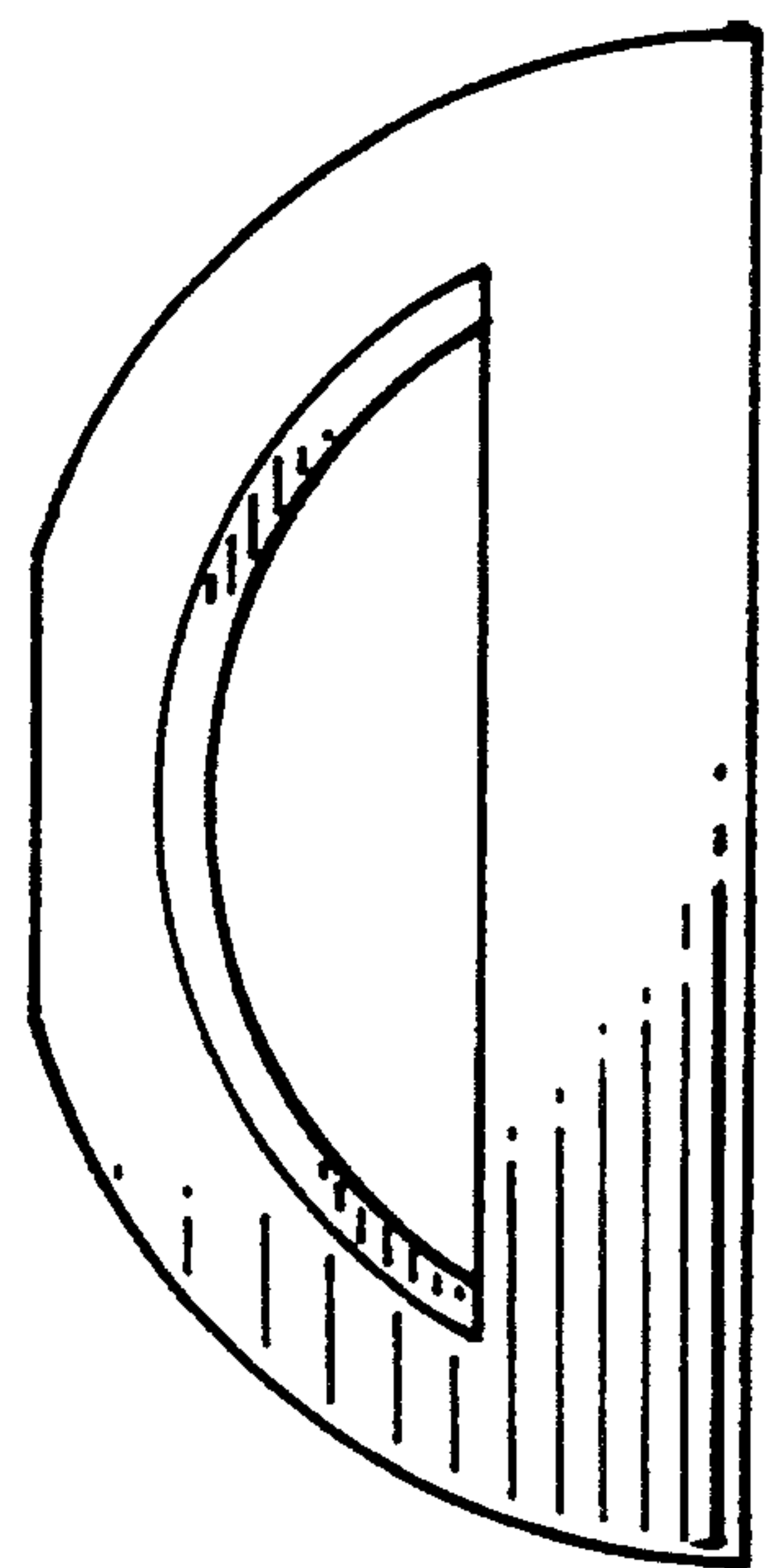


FIG. 3

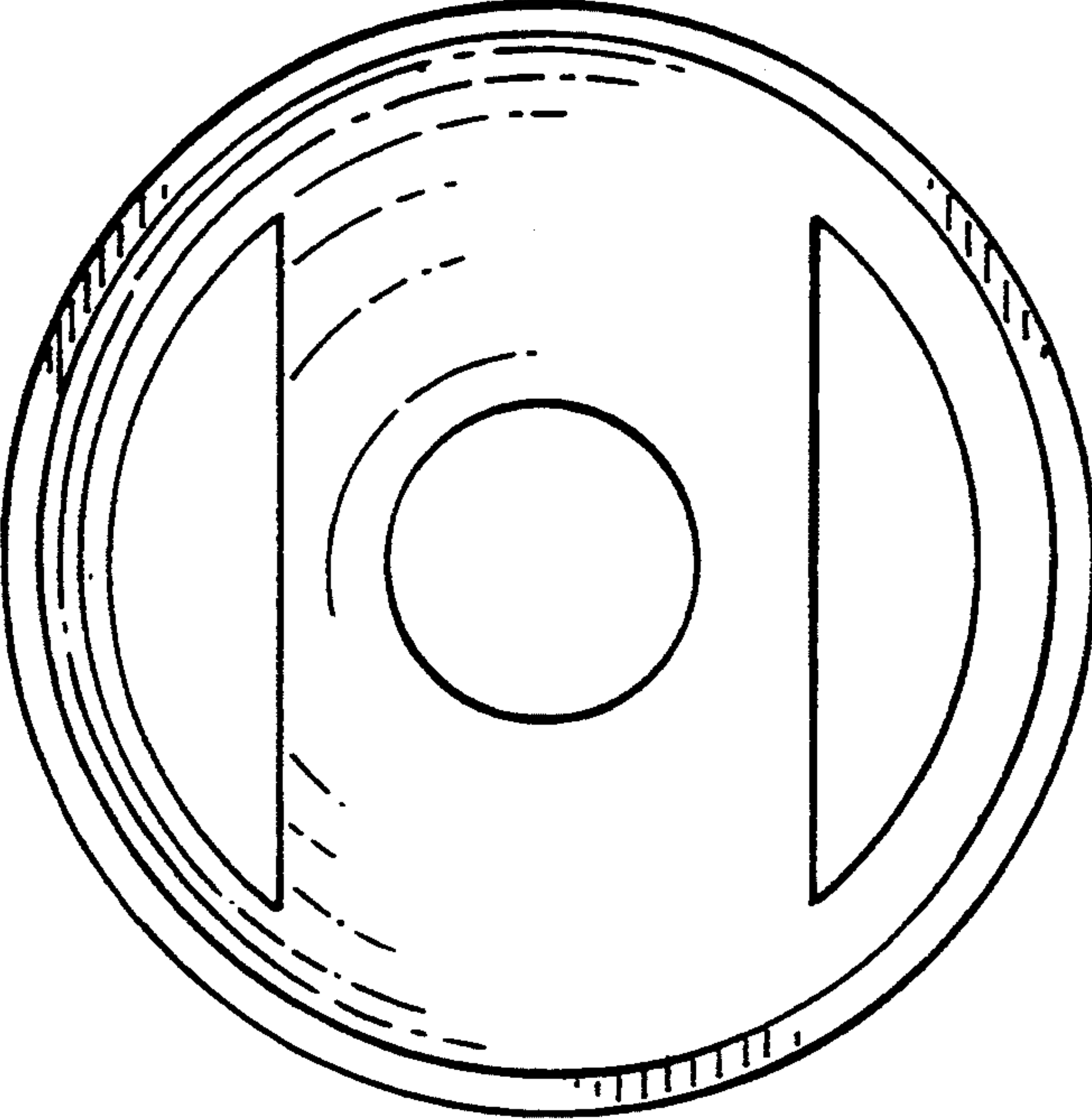


FIG. 4

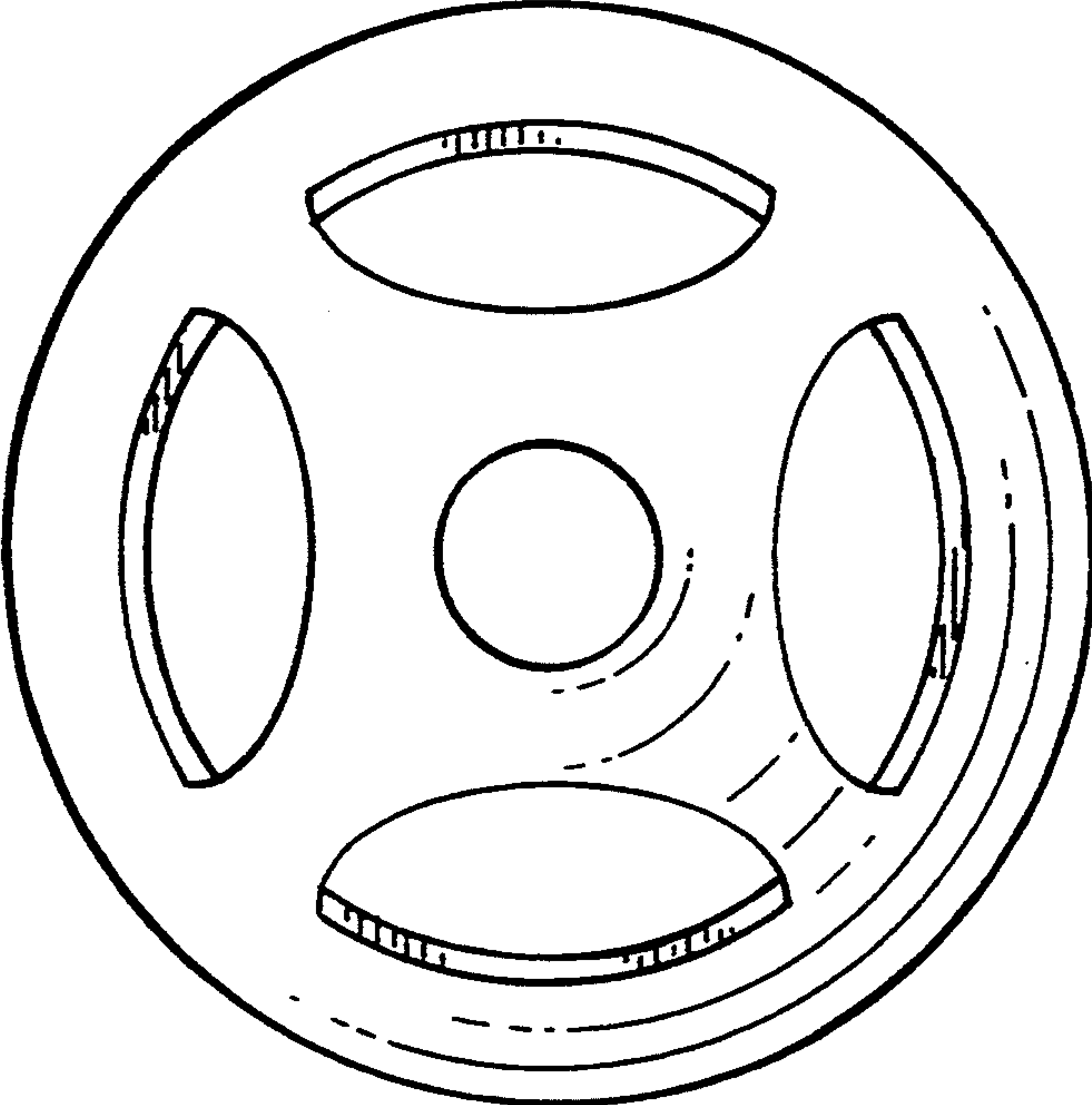


FIG. 5

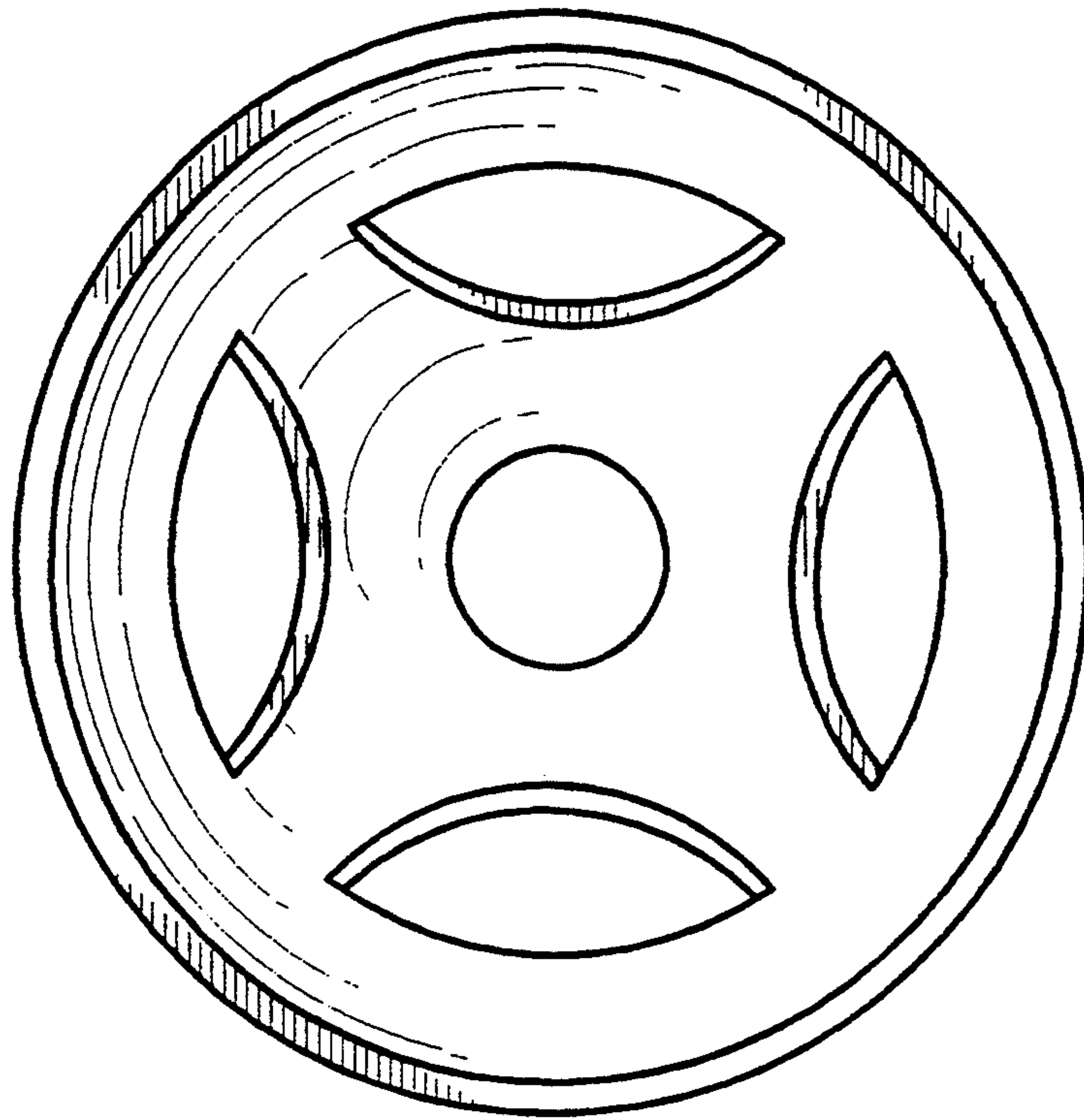


FIG. 6

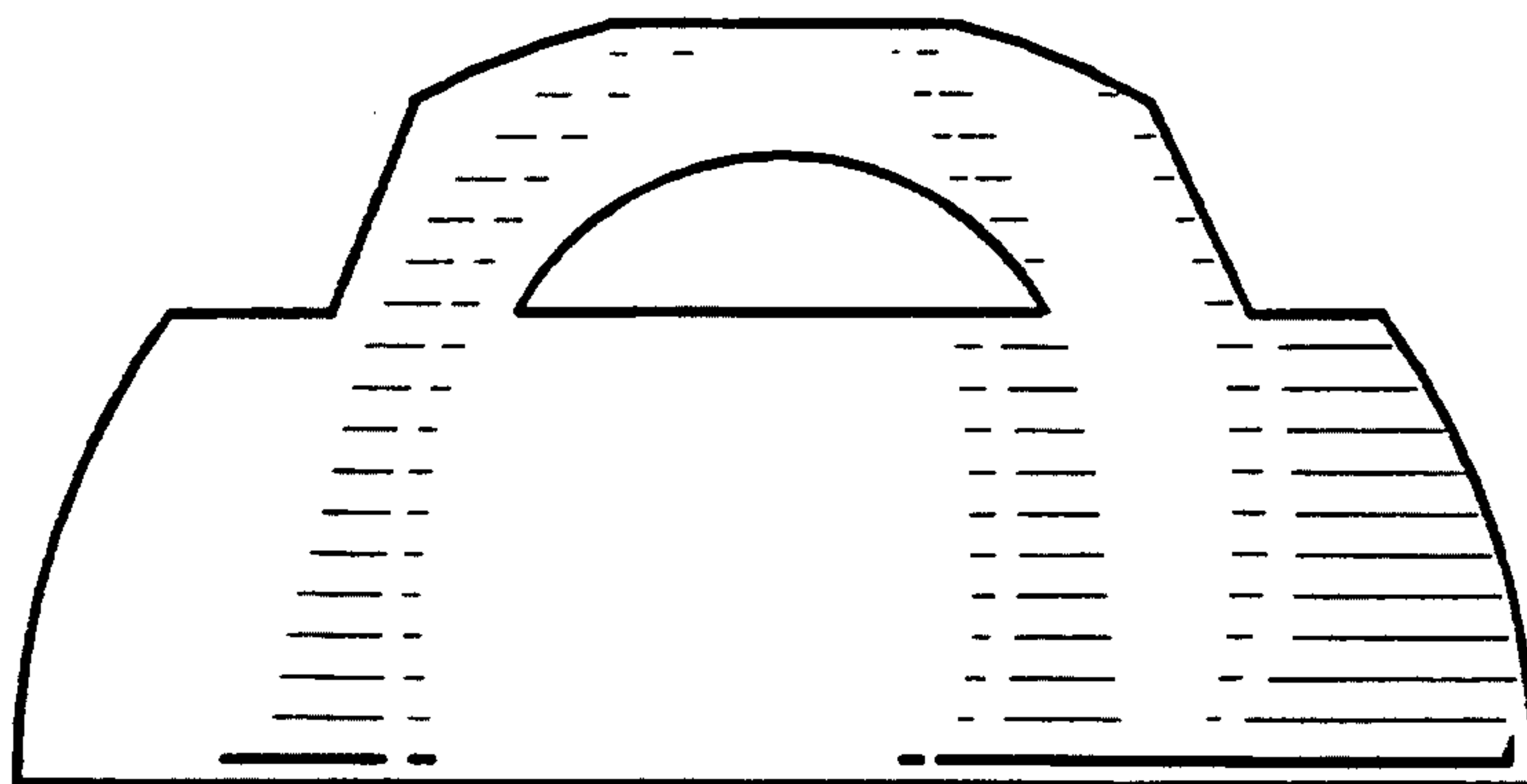


FIG. 7