



US00D355701S

# United States Patent [19]

[11] Patent Number: **Des. 355,701**

**Willinger et al.**

[45] Date of Patent: **\*\* Feb. 21, 1995**

[54] **AQUARIUM FILTER**

[75] Inventors: **Allan H. Willinger, Franklin Lakes, N.J.; Sean H. Simmons, Sea Cliff, N.Y.**

[73] Assignee: **Willinger Bros., Inc., Oakland, N.J.**

[\*\*] Term: **14 Years**

[21] Appl. No.: **893,215**

[22] Filed: **Jun. 2, 1992**

[52] U.S. Cl. .... **D23/209**

[58] Field of Search ..... **D23/200, 207-210, D23/316; D30/101, 106; 210/169, 301, 323.1, 416.2, 416.3, 470, 282**

[56] **References Cited**

**U.S. PATENT DOCUMENTS**

D. 291,720 9/1987 Willinger et al. .... **D23/210**

D. 294,172	2/1988	Willinger .....	D23/210
4,602,996	7/1986	Willinger .....	210/416.2 X
4,997,559	3/1991	Ellis et al. ....	210/416.2 X
5,002,660	3/1991	Sherman et al. ....	210/416.2 X

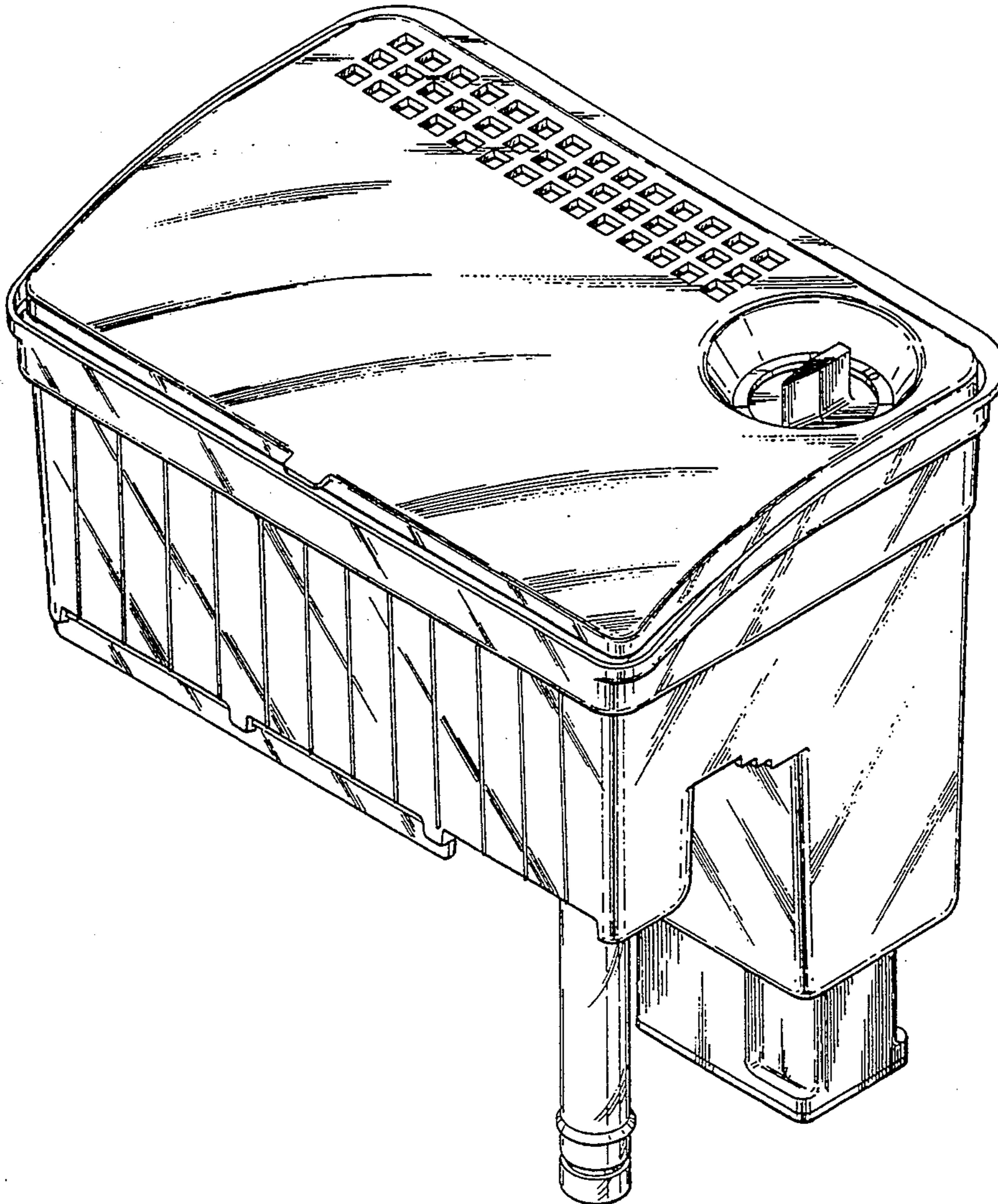
*Primary Examiner*—Wallace R. Burke  
*Assistant Examiner*—M. H. Tung  
*Attorney, Agent, or Firm*—Helfgott & Karas

[57] **CLAIM**

The ornamental design for an aquarium filter, as shown.

**DESCRIPTION**

FIG. 1 is an isometric view of the filter taken from the top;  
FIG. 2 is an isometric view of the filter taken from the bottom;  
FIG. 3 is a rear view thereof;  
FIG. 4 is a left side view thereof;  
FIG. 5 is a right side view thereof; and,  
FIG. 6 is a bottom view thereof.



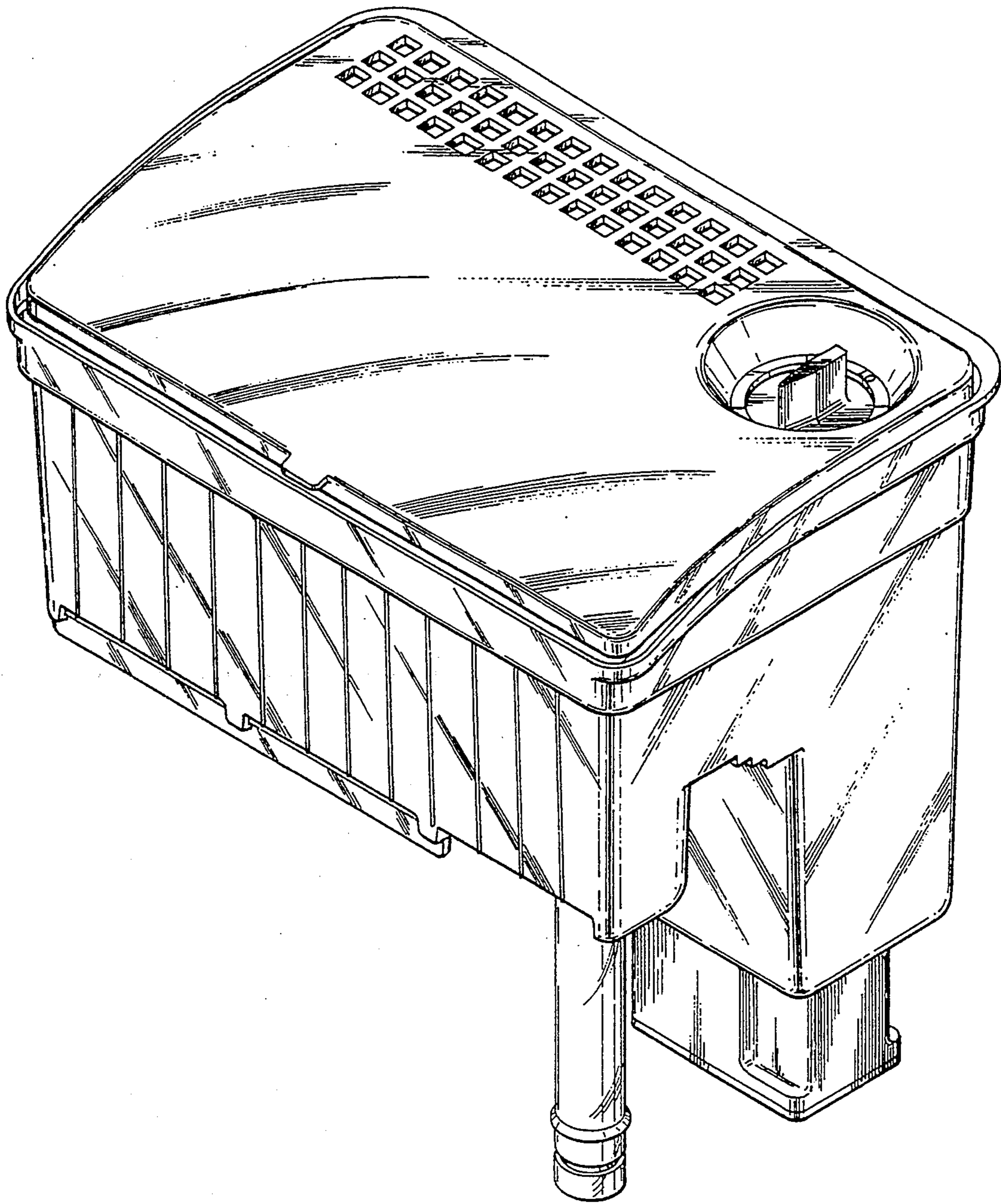


Fig. 1.



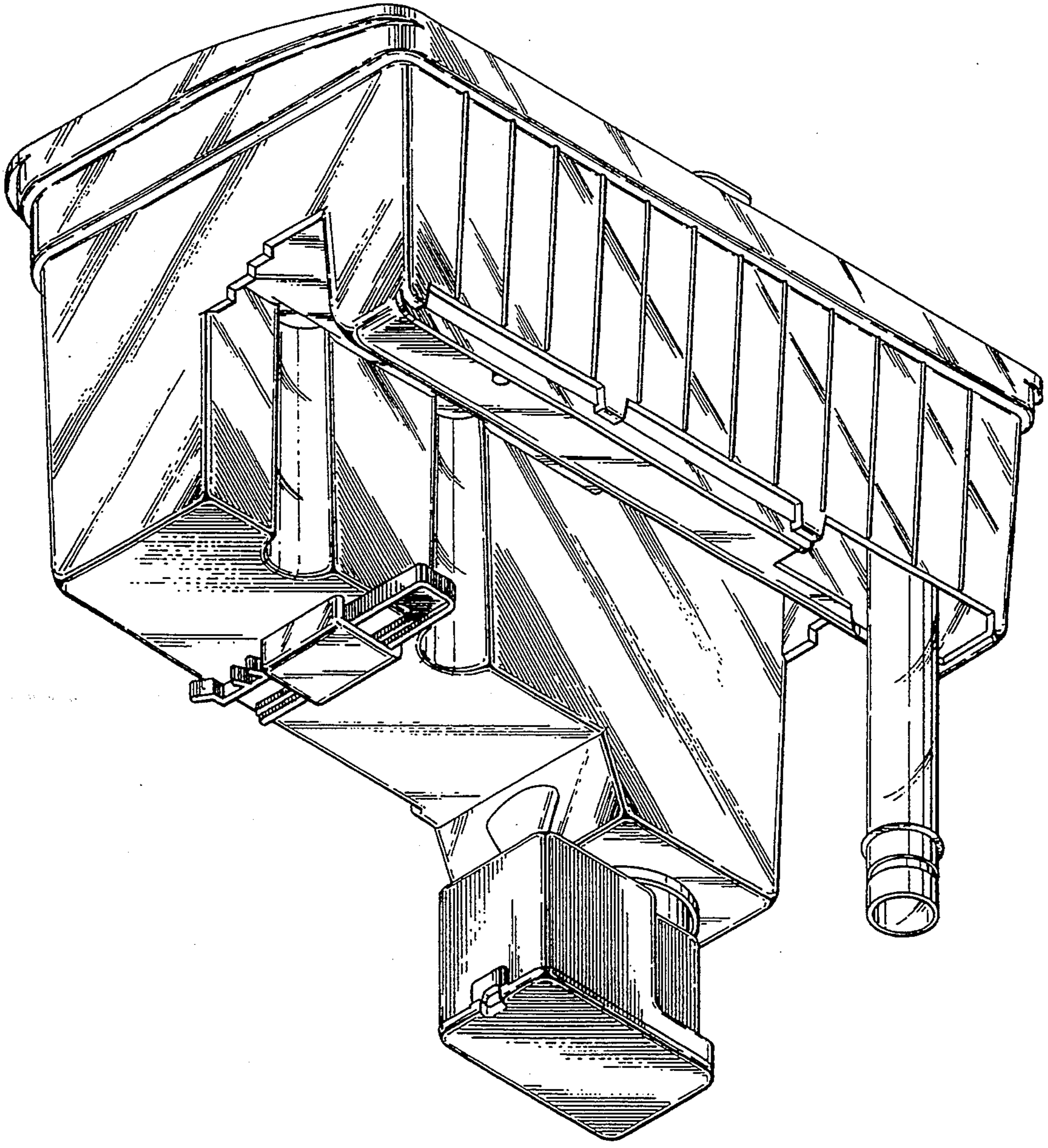


Fig. 2.

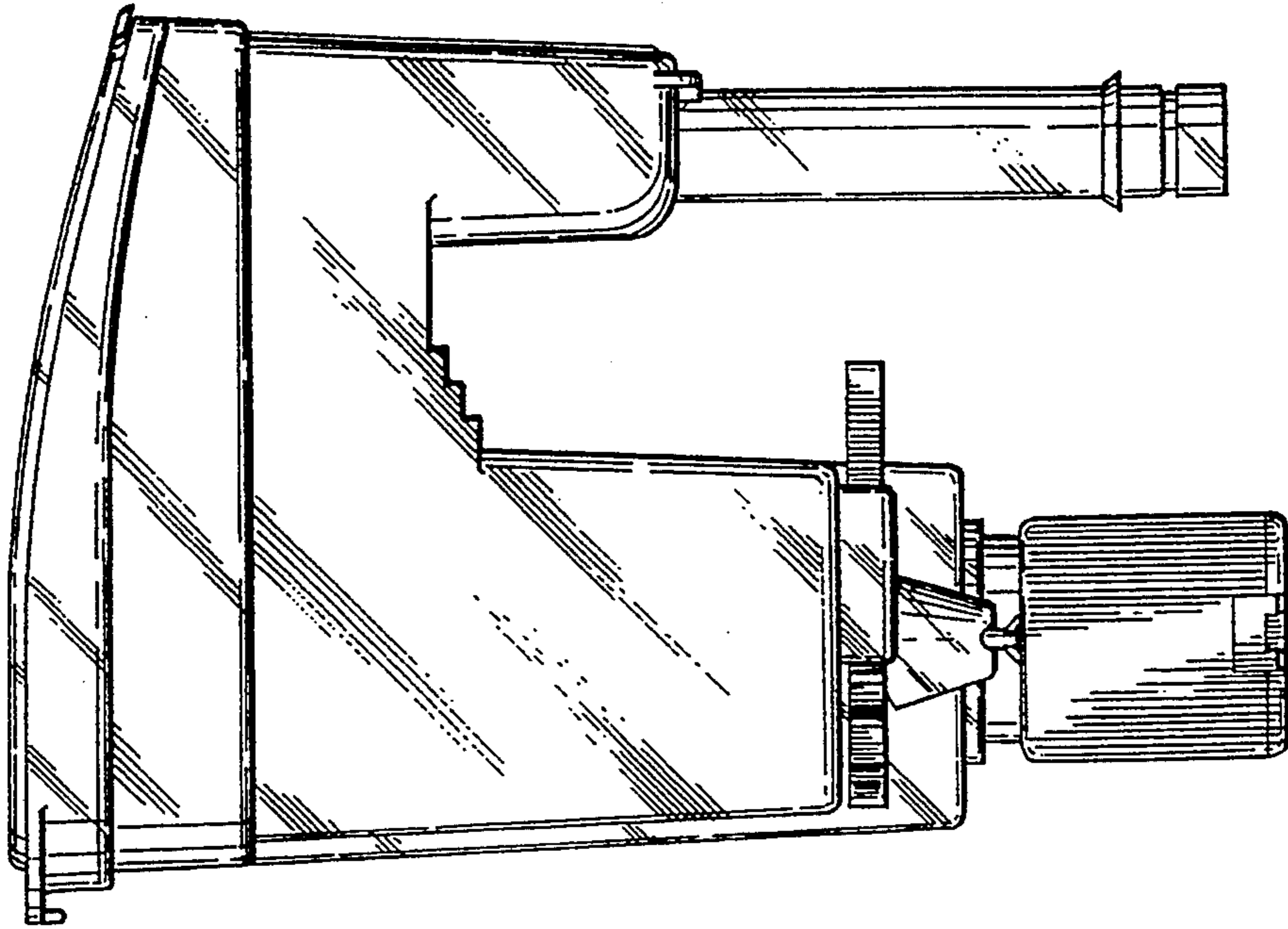


FIG. 4.

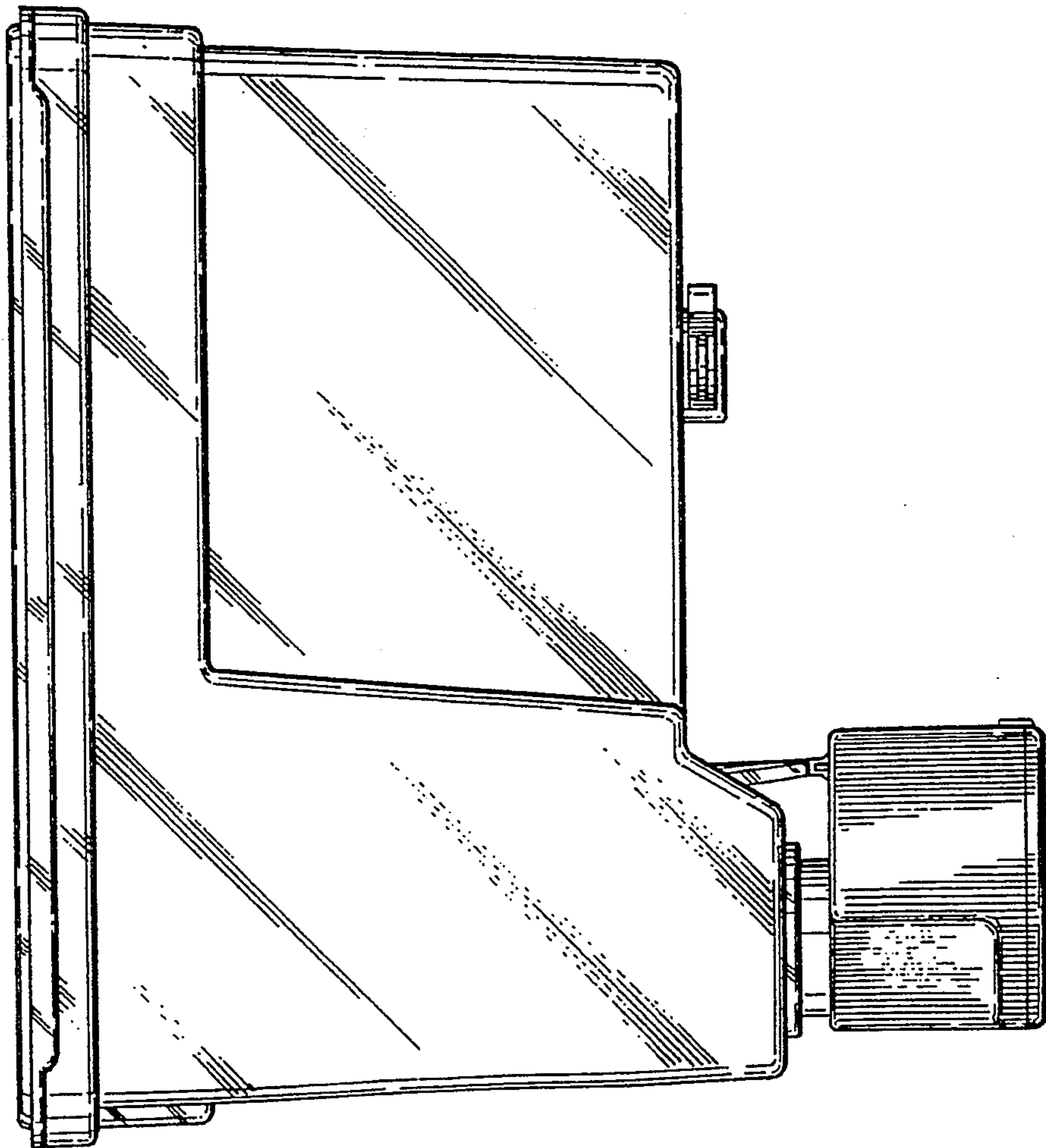


FIG. 3.



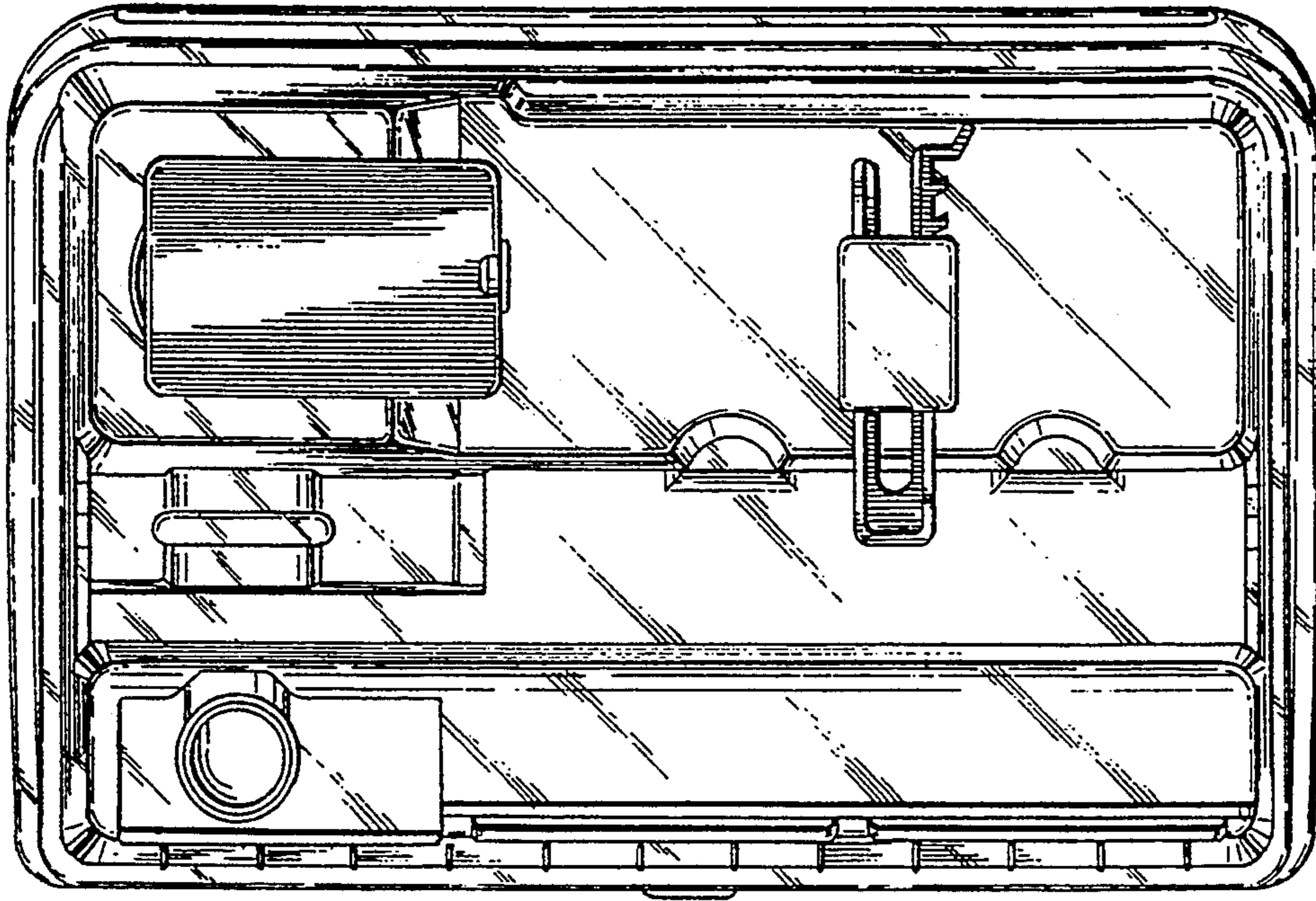


FIG. 6.

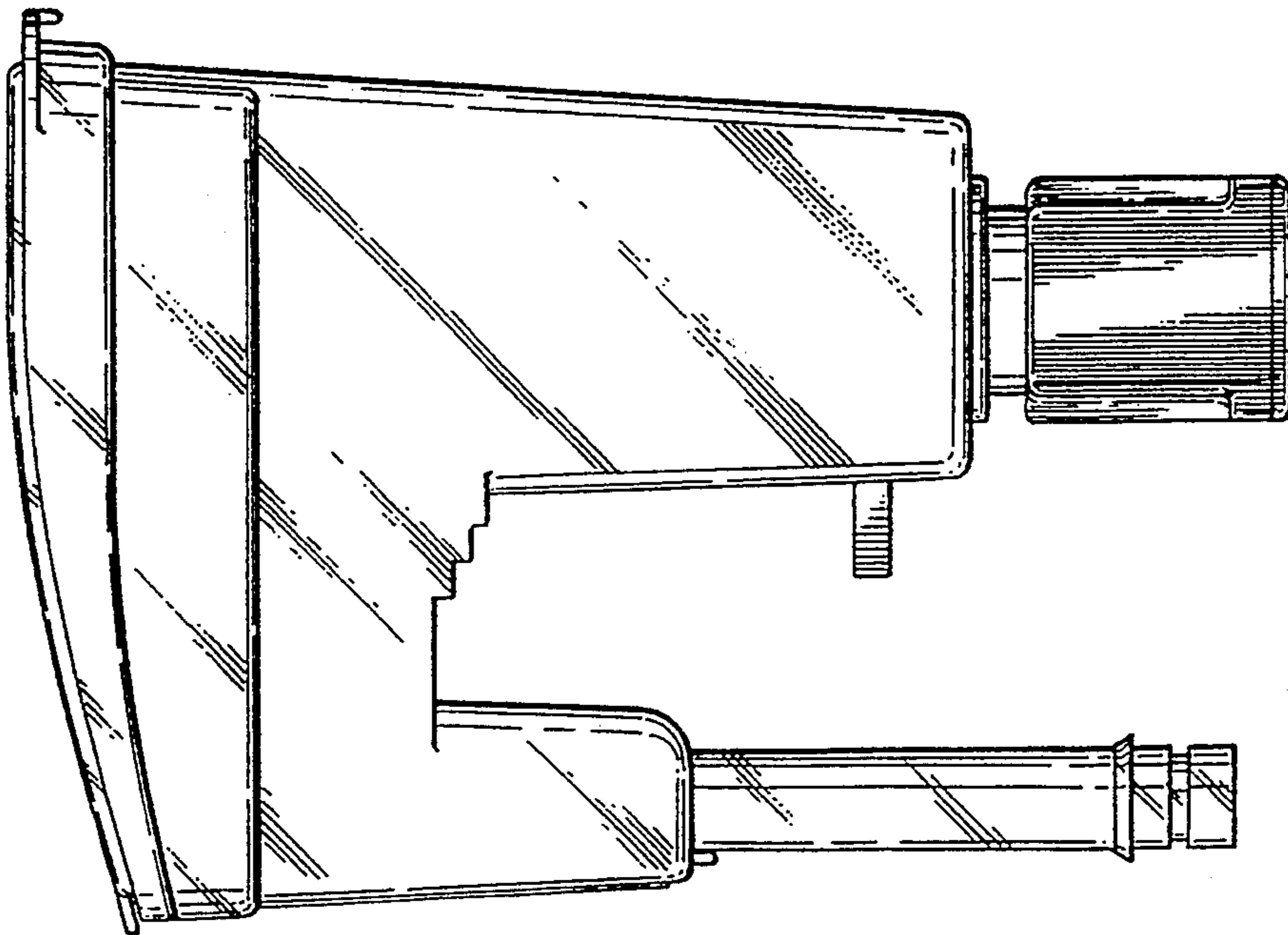


FIG. 5.