



US00D355698S

United States Patent [19]

[11] Patent Number: **Des. 355,698**

Robbins et al.

[45] Date of Patent: **** Feb. 21, 1995**

[54] **SPINCAST FISHING REEL**

[75] Inventors: **Richard J. Robbins**, Derby, Kans.;
Lorens G. Hlava, Clinton, Mo.

[73] Assignee: **Zebco Corporation**, Tulsa, Okla.

[**] Term: **14 Years**

[21] Appl. No.: **823,549**

[22] Filed: **Jan. 21, 1992**

[52] U.S. Cl. **D22/141**

[58] Field of Search **D22/140, 141; 242/230,**
242/231, 232, 233, 237, 245, 246, 235, 236

[56] **References Cited**

U.S. PATENT DOCUMENTS

D. 184,618	3/1959	Hammer	D22/141
D. 291,346	8/1987	Sakamoto et al.	D22/140
D. 294,727	3/1988	Sakamoto et al.	D22/141
D. 299,512	1/1989	Kameda	D22/141
D. 309,172	7/1990	Hiraishi et al.	D22/141
2,919,077	12/1959	Underwood et al.	242/235
3,534,919	10/1970	Rowe	242/236 X
4,662,585	5/1987	Neufeld	242/236

OTHER PUBLICATIONS

Fishing World, Sep./Oct. 1990, Inside Cover, Zebco Bullet Reel.

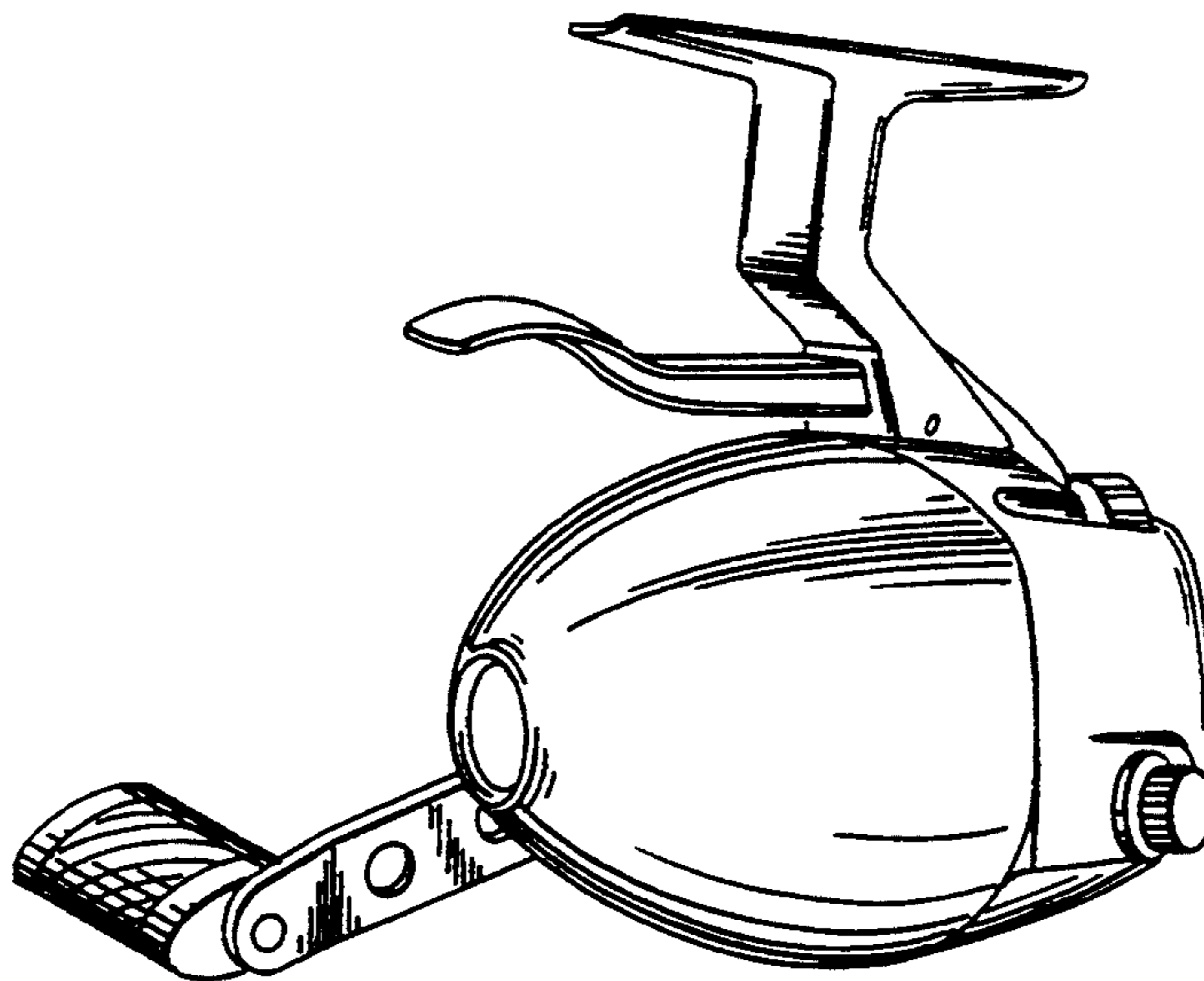
Primary Examiner—A. Hugo Word
Assistant Examiner—Doris V. Coles
Attorney, Agent, or Firm—Wood, Phillips, VanSanten, Hoffman & Ertel

[57] **CLAIM**

The ornamental design for a spincast fishing reel, as shown and described.

DESCRIPTION

FIG. 1 is a front, top and left side perspective view of a spincast fishing reel showing our new design; FIG. 2 is a top plan view thereof; FIG. 3 is a front elevation view thereof; FIG. 4 is a rear elevation view thereof; FIG. 5 is a right side elevation view thereof; FIG. 6 is a left side elevation view thereof; FIG. 7 is a bottom plan view thereof; and, FIG. 8 is a rear perspective view thereof.



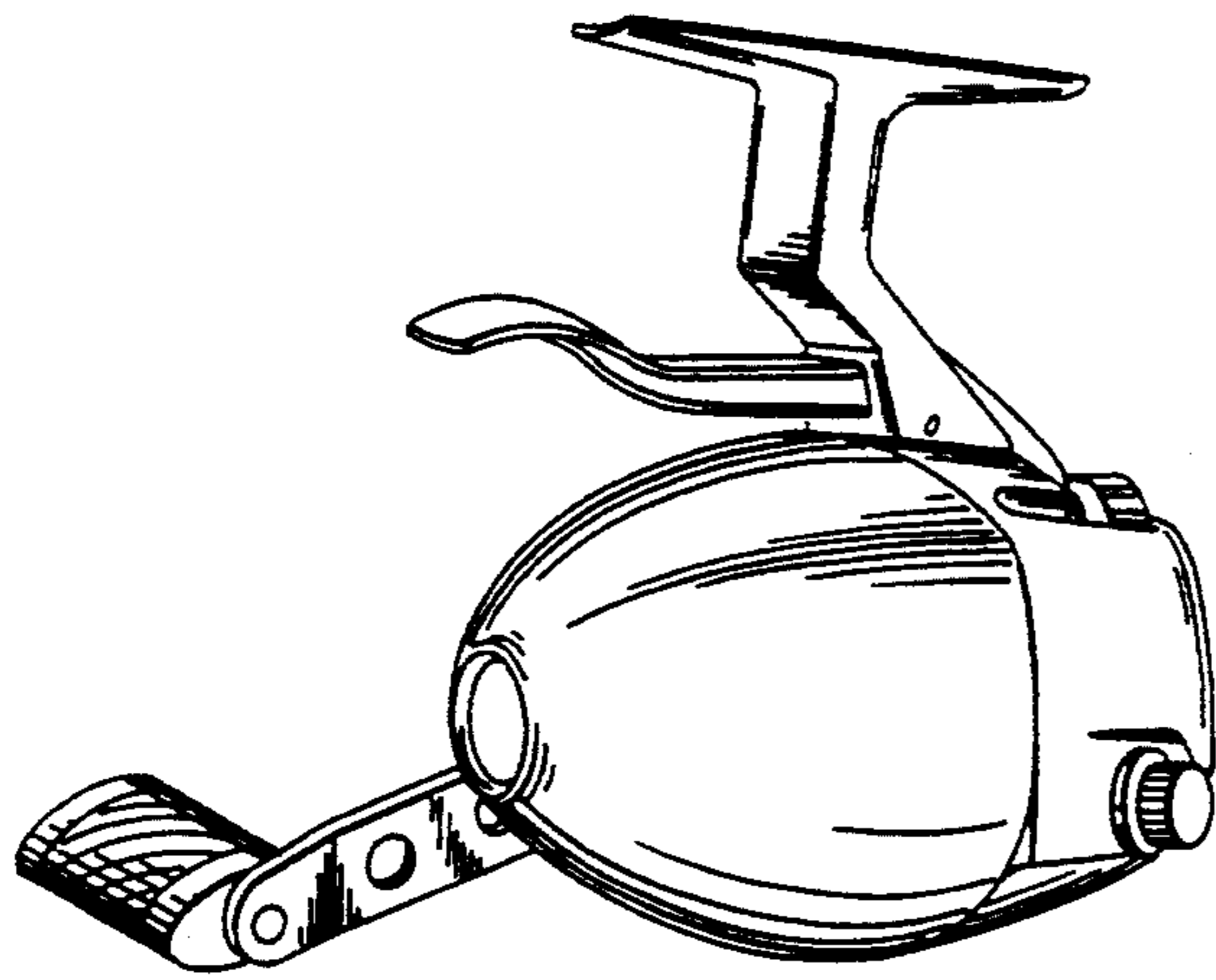


FIG. 1

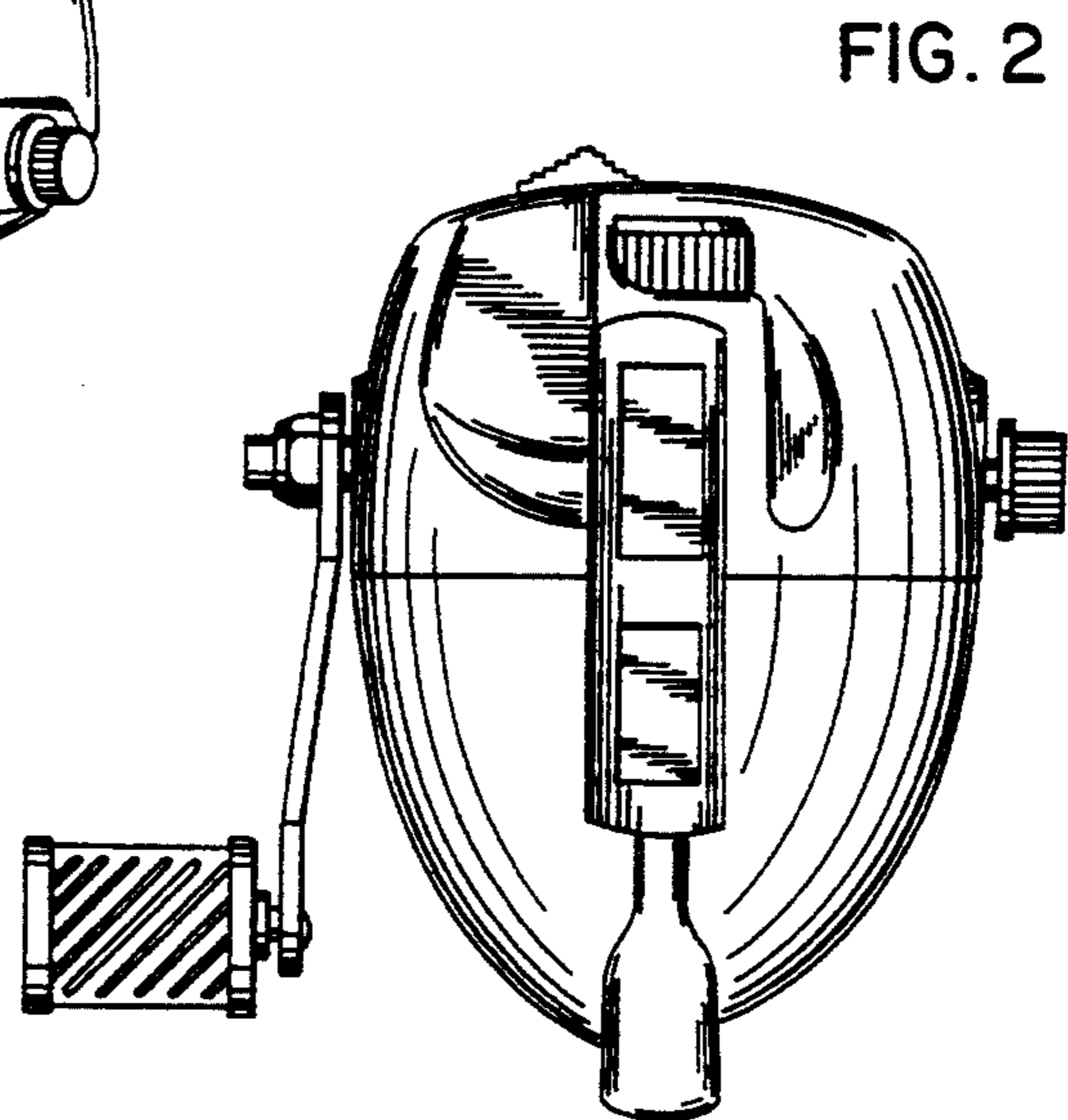


FIG. 2

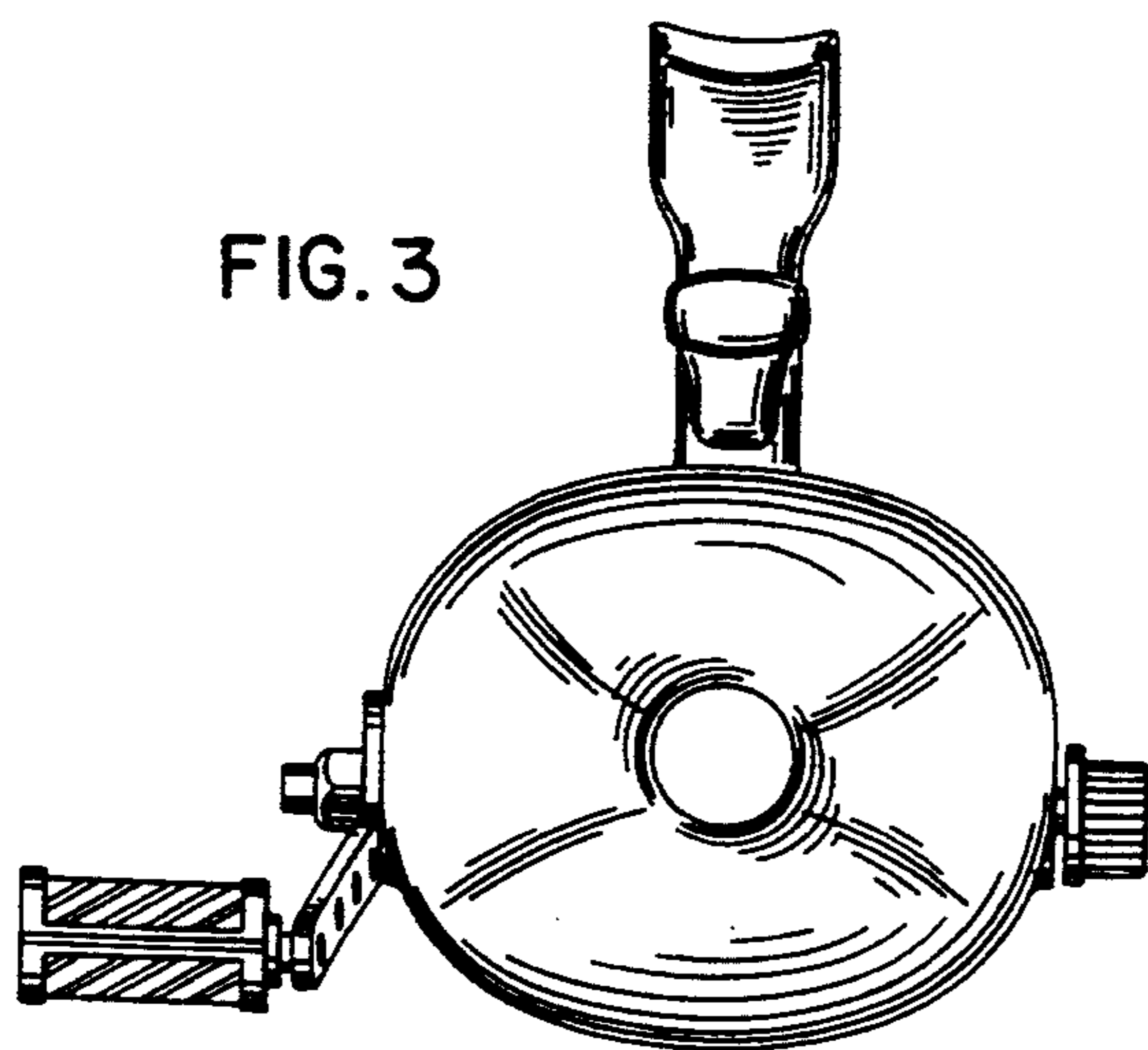


FIG. 3

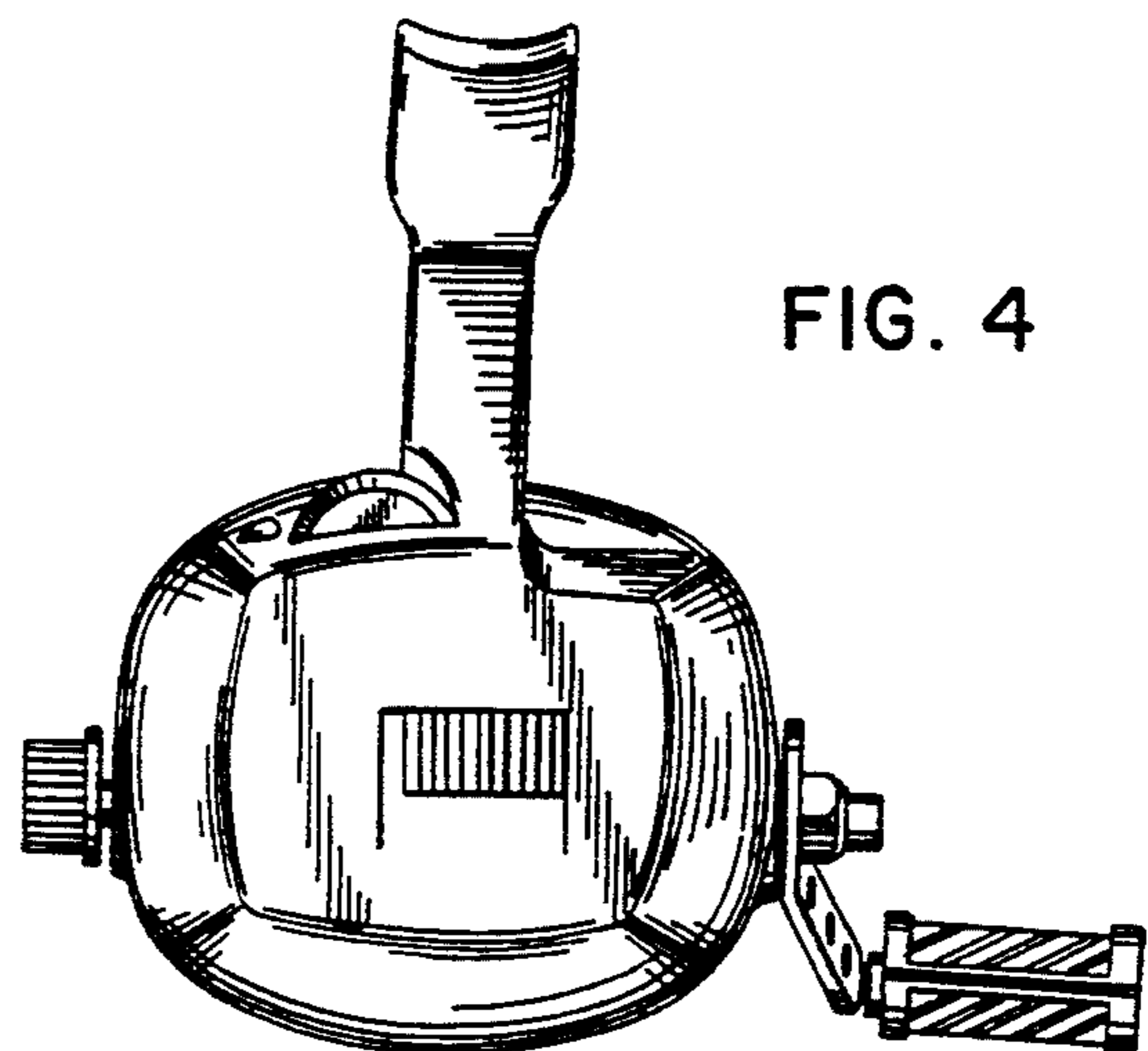


FIG. 4

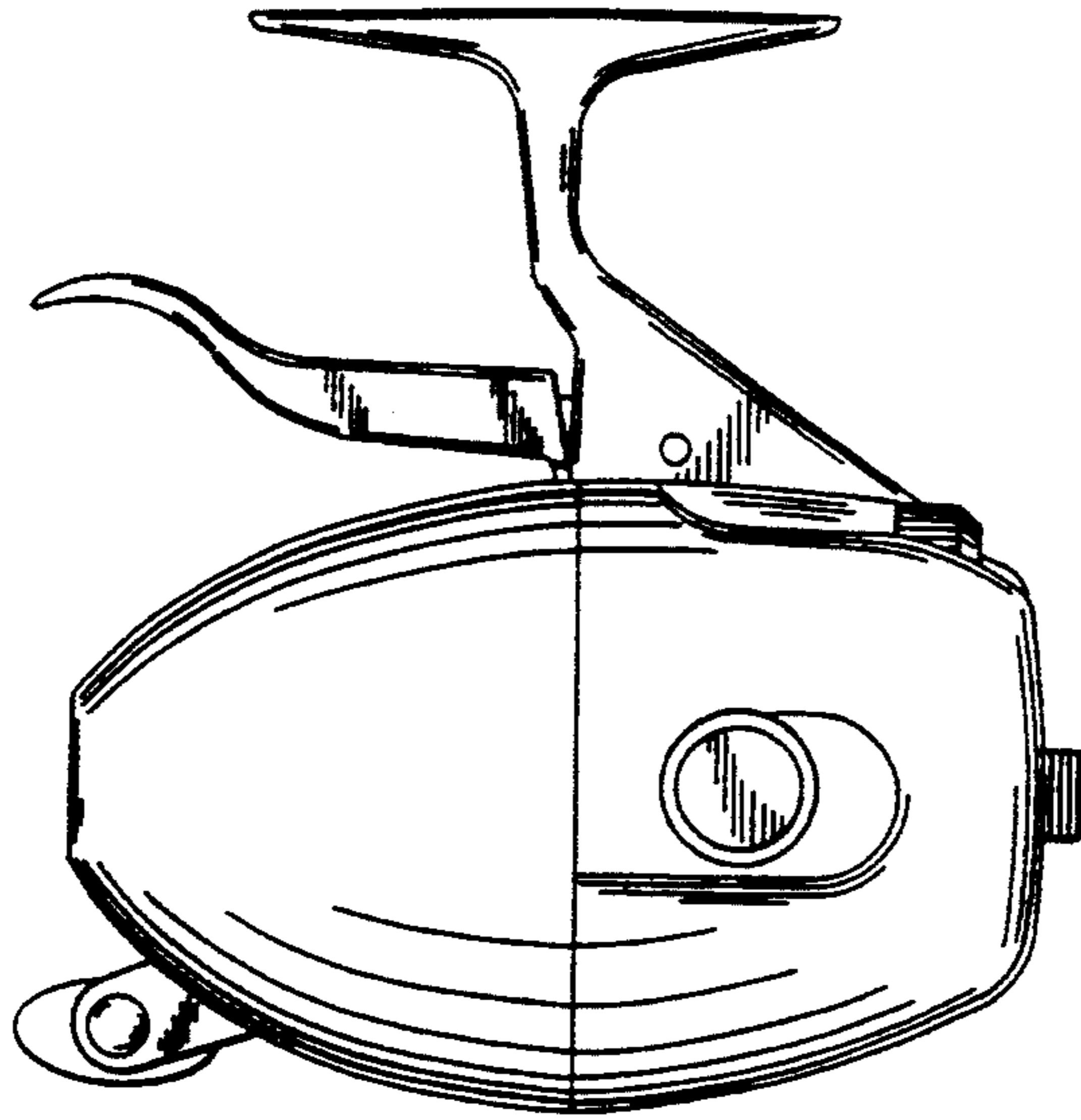


FIG. 5

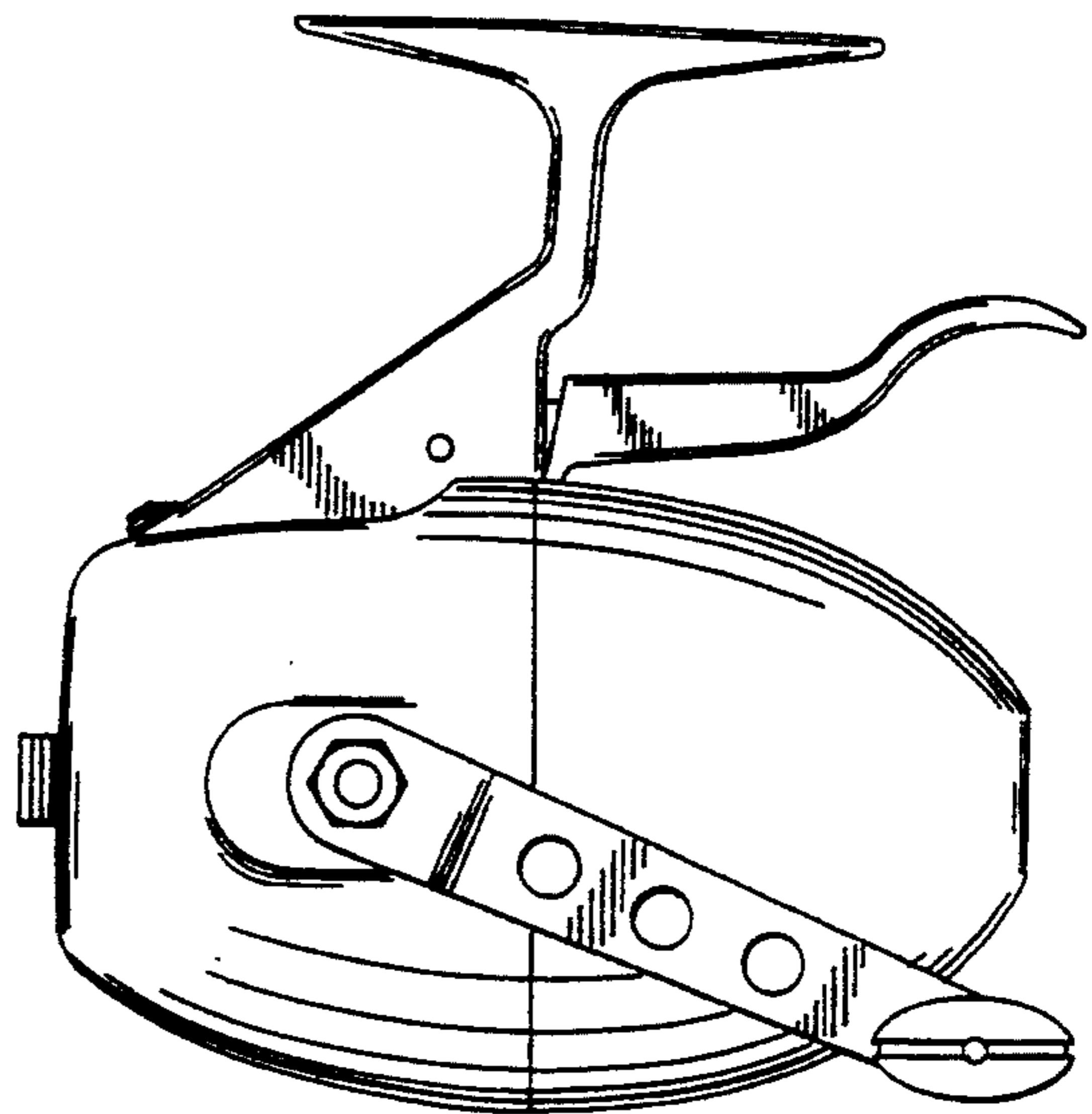


FIG. 6

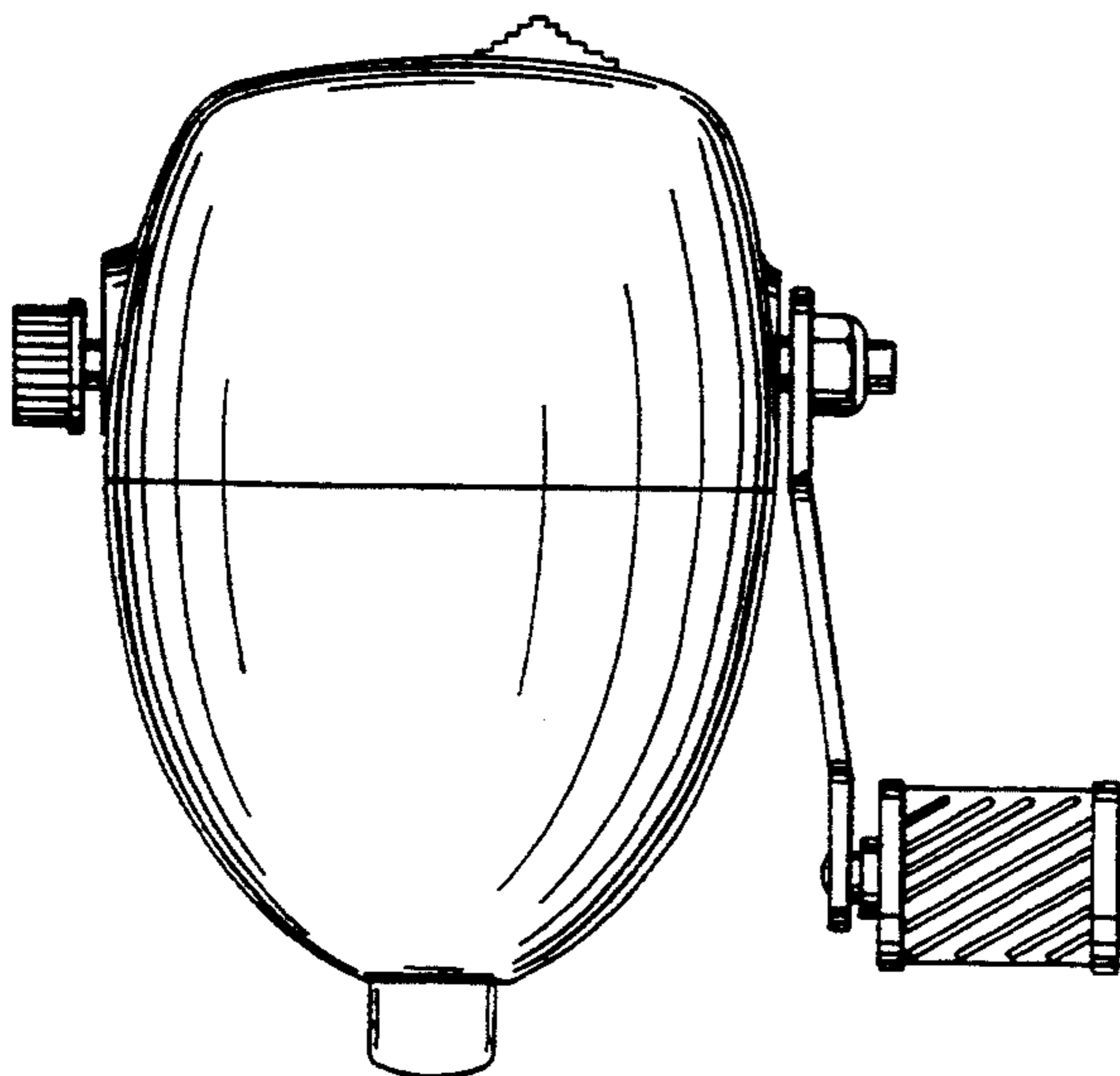


FIG. 7

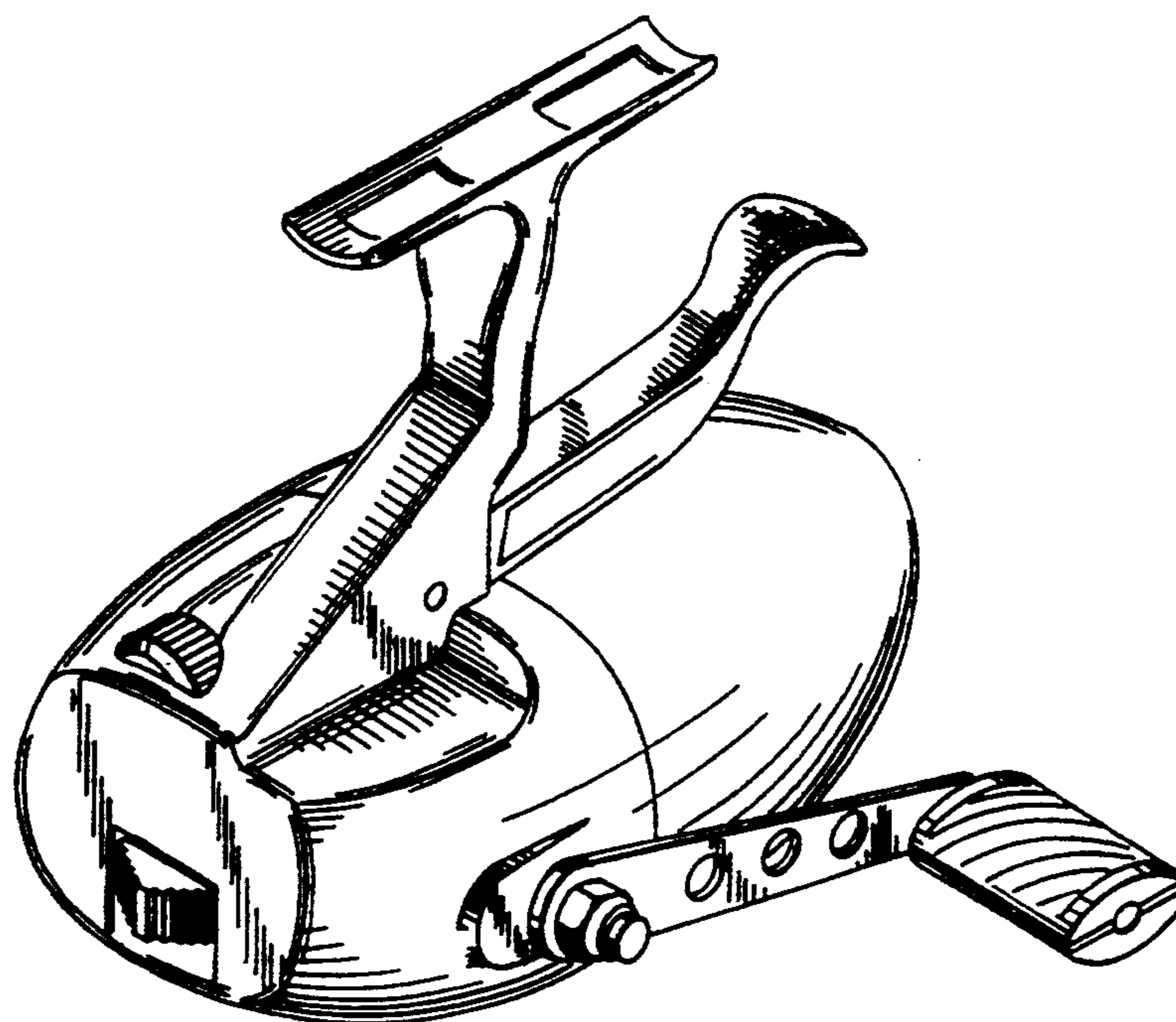


FIG. 8