



US00D355693S

United States Patent [19]

[11] Patent Number: **Des. 355,693**

Aker et al.

[45] Date of Patent: **** Feb. 21, 1995**

[54] PLAYGROUND AND ACTIVITY STRUCTURE

[75] Inventors: **Kevin R. Aker, Hudson, Ohio; Robert L. Houry; Keith D. Ratliff, both of Farmington, Mo.**

[73] Assignee: **The Little Tikes Company, Hudson, Ohio**

[**] Term: **14 Years**

[21] Appl. No.: **15,110**

[22] Filed: **Nov. 8, 1993**

[52] U.S. Cl. **D21/244**

[58] Field of Search **D21/109, 243-245; 482/35, 36; 446/314; 472/48, 92, 117, 126, 134-137, 116**

OTHER PUBLICATIONS

Kaplan School Supplies Corp; 1986-87; p. 65; "Snap Village", upper right corner.

P. 27, Play activity, Big Toys, 7717 New Market Street, Olympia, Wash., 98501. Publication date Jan. 1991.

Pp. 20 and 21, Climber, Burke Company, Inc., P.O. Box 549, 660 Van Dyne Road, Fond du Lac, Wis. 54936-0594. Publication date 1992.

Catalog page, Play structure, Quality Industries, Inc., Hillsdale Industrial Park, P.O. Box 765, Hillsdale, Mich. 49242-0765. Publication Date 1988.

Pp. 14, 15, 17, 19 and 24, Playground structures; Iron Mountain Forge, P.O. Box 897, One Iron Mountain Drive, Farmington, Mo. 63640-8097. Publication date 1992.

Primary Examiner—Theodore M. Shooman

Assistant Examiner—Mitchell I. Siegel

Attorney, Agent, or Firm—Richard B. O'Planick; Lisa B. Riedesel

[56] References Cited

U.S. PATENT DOCUMENTS

D. 241,664	9/1976	Ewers et al.	D21/245 X
D. 253,363	11/1979	Dieter et al.	D21/244
D. 281,985	12/1985	Spirk et al.	D21/109
D. 281,992	12/1985	Saxman et al.	D21/245
D. 285,585	9/1986	Murdough et al.	D21/108
D. 285,586	9/1986	Murdough et al.	D21/108
D. 285,587	9/1986	Murdough et al.	D21/108
D. 302,198	7/1989	Mercer	D21/245
D. 303,826	10/1989	Aker	D21/244
D. 334,610	4/1993	Aker	D21/244
D. 340,273	10/1993	Ezell	D21/244
D. 343,438	1/1994	Fish, Jr.	D21/244
D. 344,773	3/1994	Aker et al.	D21/244
3,485,494	12/1969	Lieberman	D21/245 X
4,369,965	1/1983	Ahrens	D21/244 X

[57] CLAIM

The ornamental design for a playground and activity structure, as shown and described.

DESCRIPTION

FIG. 1 is a top left front perspective view of a playground and activity structure showing our new design. The broken lines are for illustrative purposes only and form no part of the claimed design;

FIG. 2 is a front elevational view thereof;

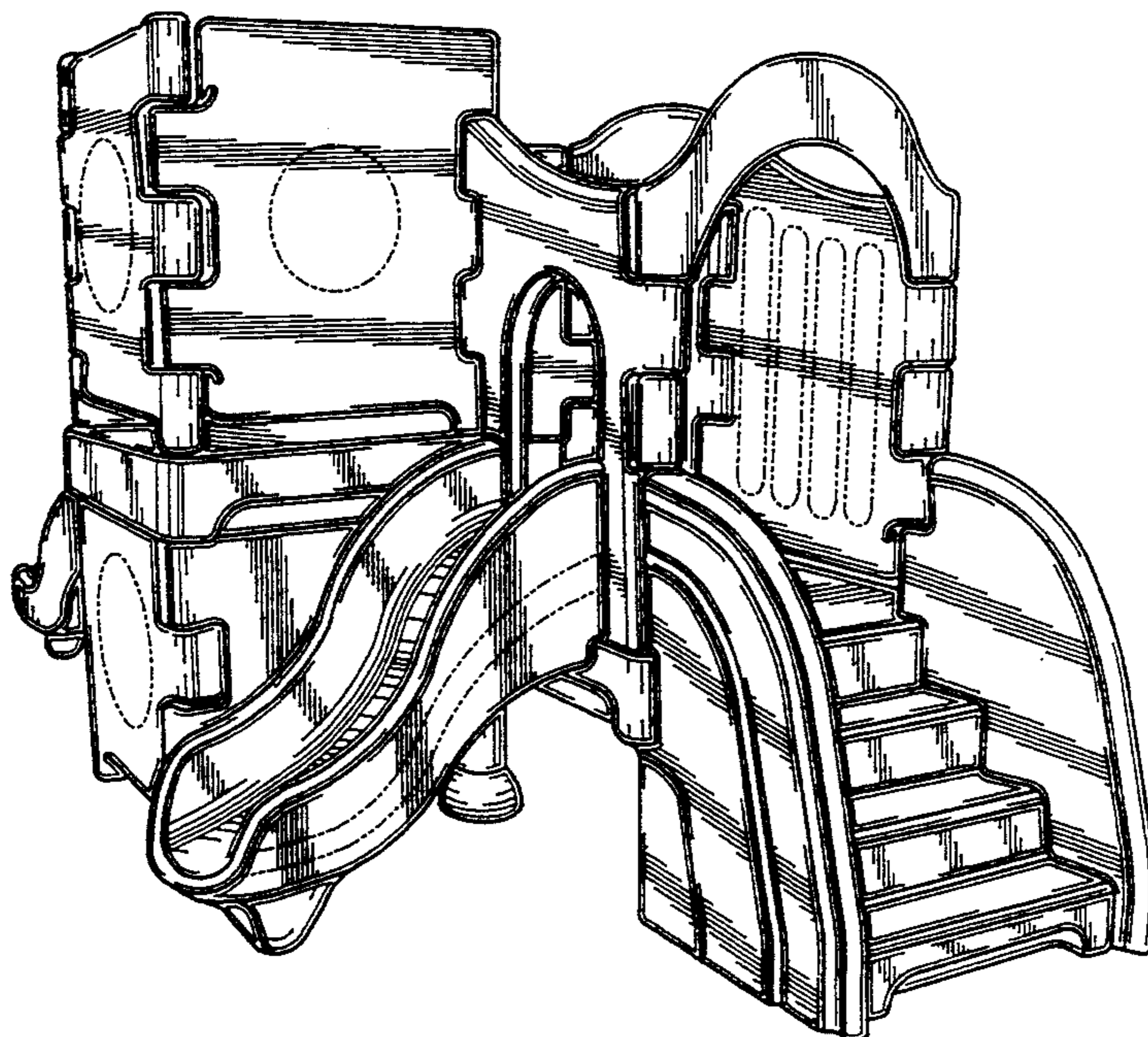
FIG. 3 is a right side elevational view thereof;

FIG. 4 is a rear elevational view thereof;

FIG. 5 is a left side elevational view thereof; and,

FIG. 6 is a top plan view thereof.

The broken lines are for illustrative purposes only and form no part of the claimed design.



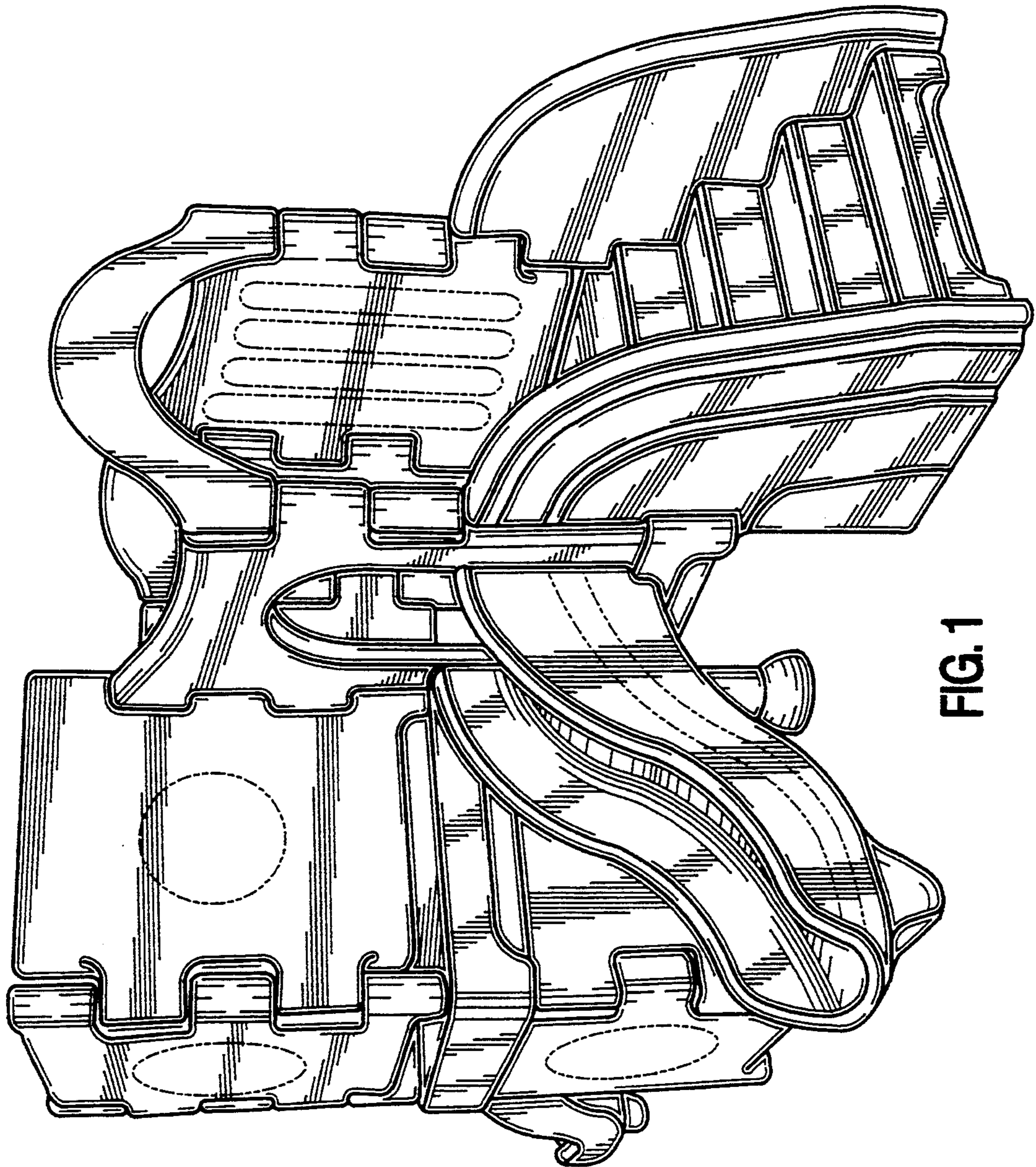


FIG. 1

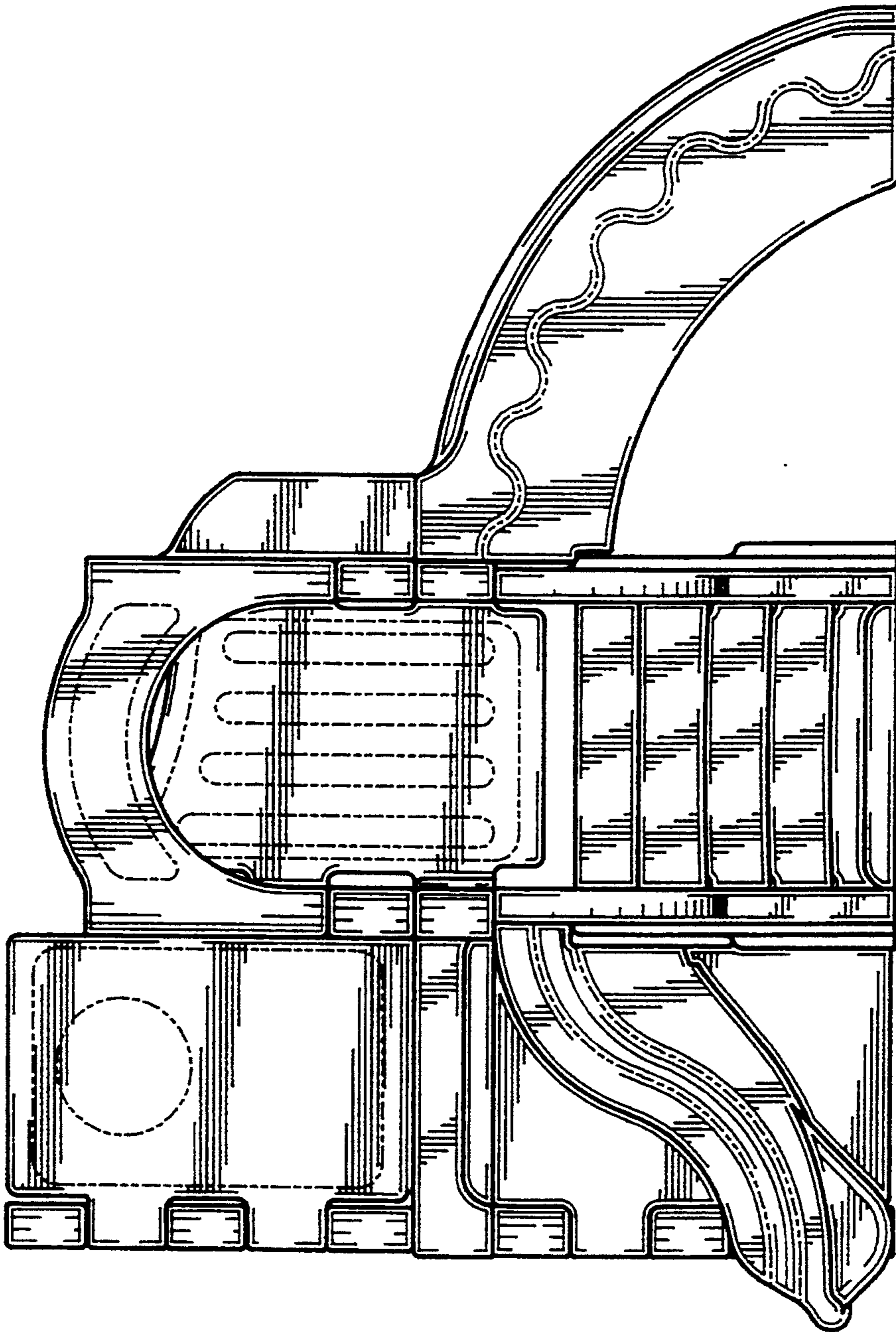


FIG. 2

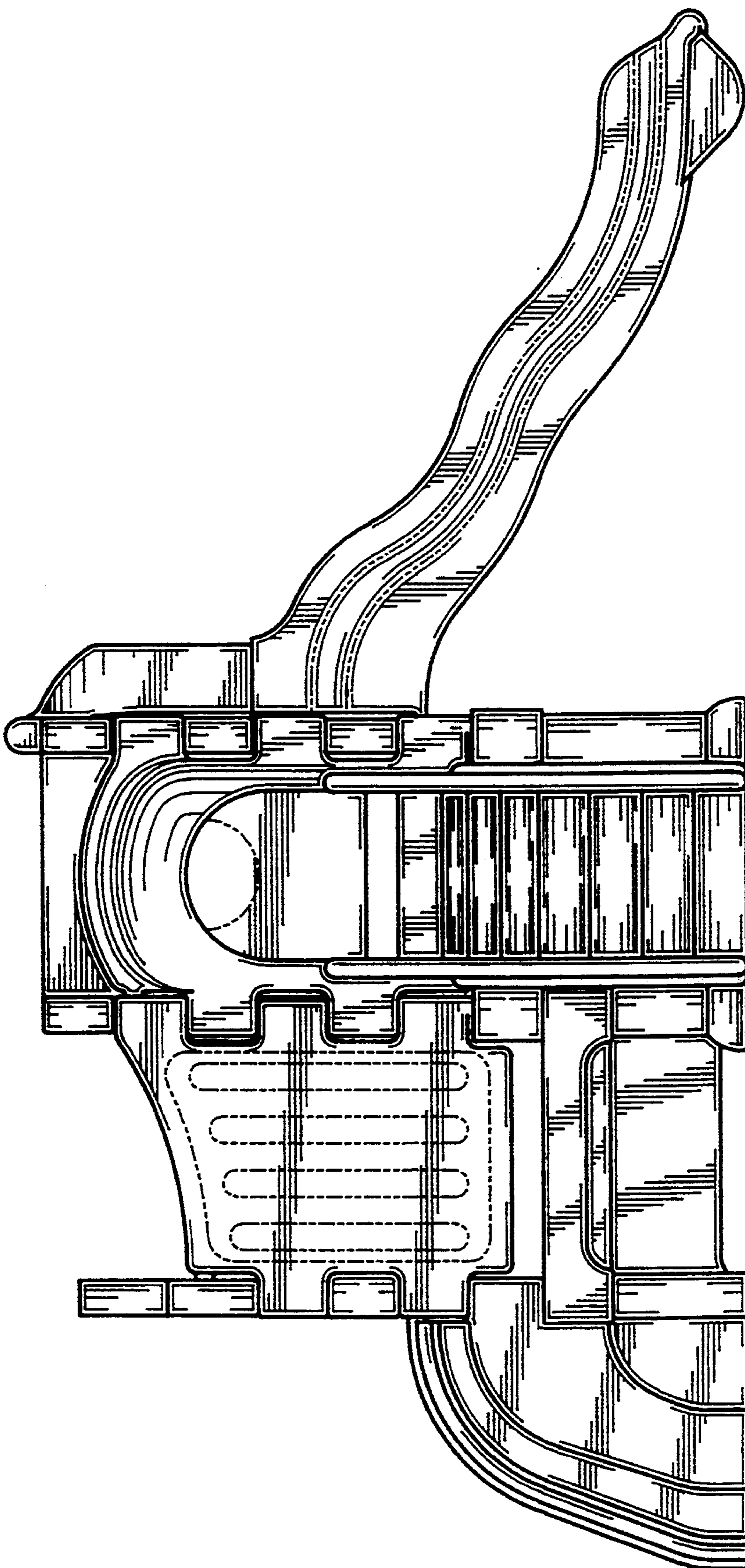


FIG. 3

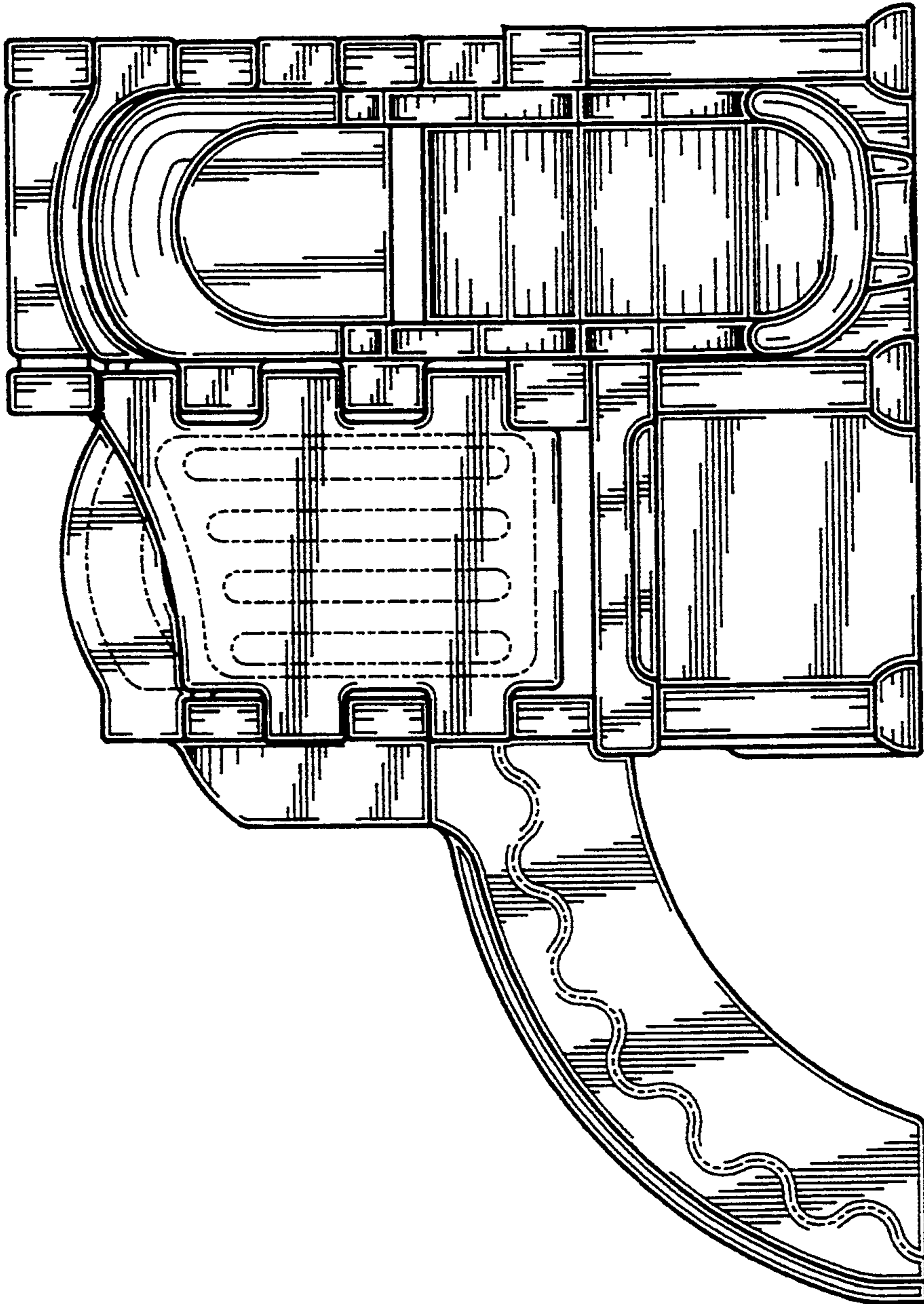


FIG. 4

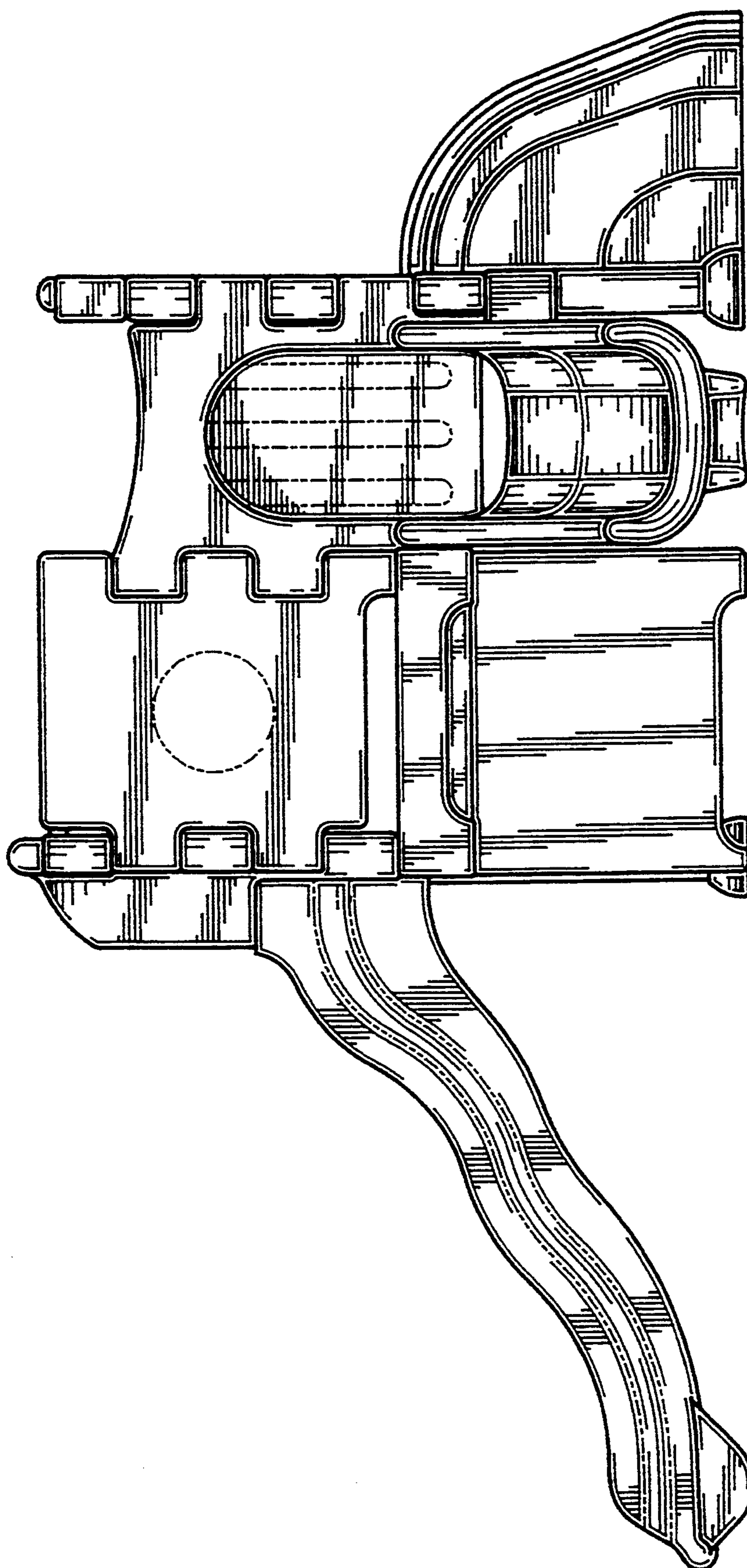


FIG. 5

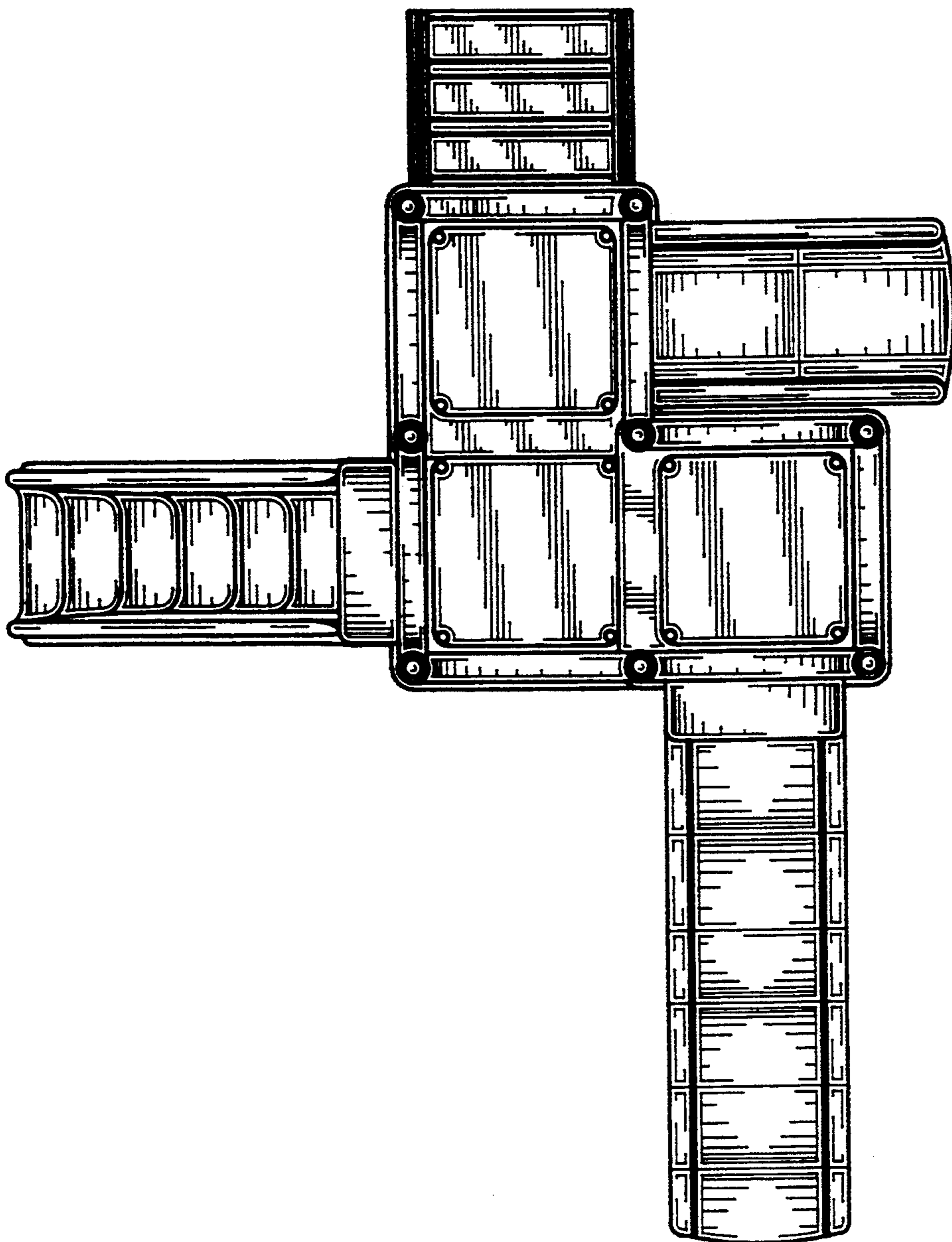


FIG. 6