



US00D355692S

# United States Patent [19]

[11] Patent Number: **Des. 355,692**

Houry et al.

[45] Date of Patent: **\*\* Feb. 21, 1995**

[54] **SLIDE ATTACHMENT FOR PLAYGROUND STRUCTURE**

[75] Inventors: **Robert L. Houry; Keith D. Ratliff**, both of Farmington, Mo.

[73] Assignee: **The Little Tikes Company**, Hudson, Ohio

[\*\*] Term: **14 Years**

[21] Appl. No.: **15,020**

[22] Filed: **Nov. 8, 1993**

[52] U.S. Cl. .... **D21/244**

[58] Field of Search ..... **D21/109, 243-245; 446/124, 314; 472/116, 117; 482/35**

[56] **References Cited**

**U.S. PATENT DOCUMENTS**

D. 262,818	1/1982	Works	.....	D21/243
D. 281,985	12/1985	Spirk et al.	.....	D21/109
D. 303,826	10/1989	Aker	.....	D21/244
D. 314,996	2/1991	Olsen	.....	D21/109
D. 330,743	11/1992	Mercer	.....	D21/244
D. 334,610	4/1993	Aker	.....	D21/244
D. 340,099	10/1993	Warren et al.	.....	D21/243
D. 340,965	11/1993	Lee	.....	D21/244
2,620,185	12/1952	Harding	.	

**OTHER PUBLICATIONS**

The Little Tikes Co.; 1991; p. 82; Slides; Big Slide 4918, play Slide 4108, Jr. Activity Gym 4719.

P. 49, Mexico Forge, address unknown. Publication date 1984.

Pp. 20 and 21, Climber, Burke Company, Inc., P.O. Box 549, 660 Van Dyne Road, Fond du Lac, Wisconsin 54936-0594. Publication date 1992.

Catalog page, Climber, Gametime, Inc., P.O. Box 121, Fort Payne, Alabama 35967. Publication date 1990.

Pp. 52 and 69, Slide, Kompan, Inc., R. D. #2, Box 249, Marathon, New York 13803. Publication date 1991.

P. 28, Slide, Landscape Structures, Inc., 601 7th Street South, Delano, Minnesota 55328. Publication date Dec., 1992.

P. 46, Slides, Miracle Recreation Equipment Company, P. O. Box 420 Monett, Missouri 65708. Publication date 1992.

Pp. 82 and 83, Slides: Iron Mountain Forge, P. O. Box 897, One Iron Mountain Drive, Farmington, Mo. 63640-8097. Publication date 1992.

*Primary Examiner*—Terry A. Wallace

*Assistant Examiner*—Mitchell I. Siegel

*Attorney, Agent, or Firm*—Richard B. O'Planick; Lisa B. Riedesel

[57] **CLAIM**

The ornamental design for a slide attachment for playground structure, as shown and described.

**DESCRIPTION**

FIG. 1 is a top right front perspective view of a slide attachment for playground structure showing our new design;

FIG. 2 is a right side elevational view thereof; the left side elevational view being a mirror image;

FIG. 3 is a top plan view thereof;

FIG. 4 is a front elevational view thereof;

FIG. 5 is a rear elevational view thereof;

FIG. 6 is a bottom plan view thereof;

FIG. 7 is a top right front perspective view of the alternate embodiment of a slide attachment for playground structure showing our new design;

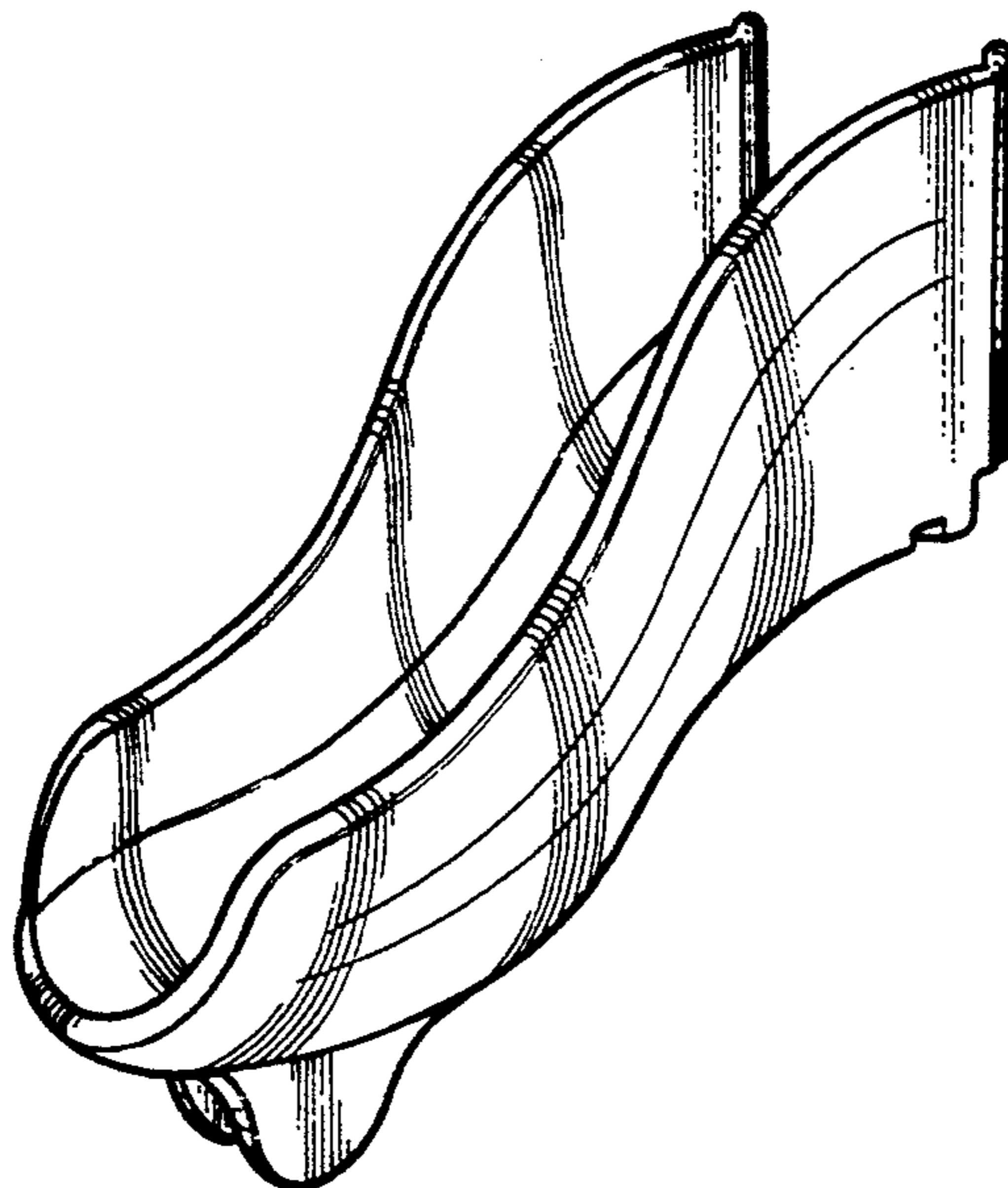
FIG. 8 is a right side elevational view of FIG. 7; the left side elevational view being a mirror image;

FIG. 9 is a top plan view of FIG. 7;

FIG. 10 is a front elevational view of FIG. 7;

FIG. 11 is a rear elevational of FIG. 7; and,

FIG. 12 is a bottom plan view of FIG. 7.



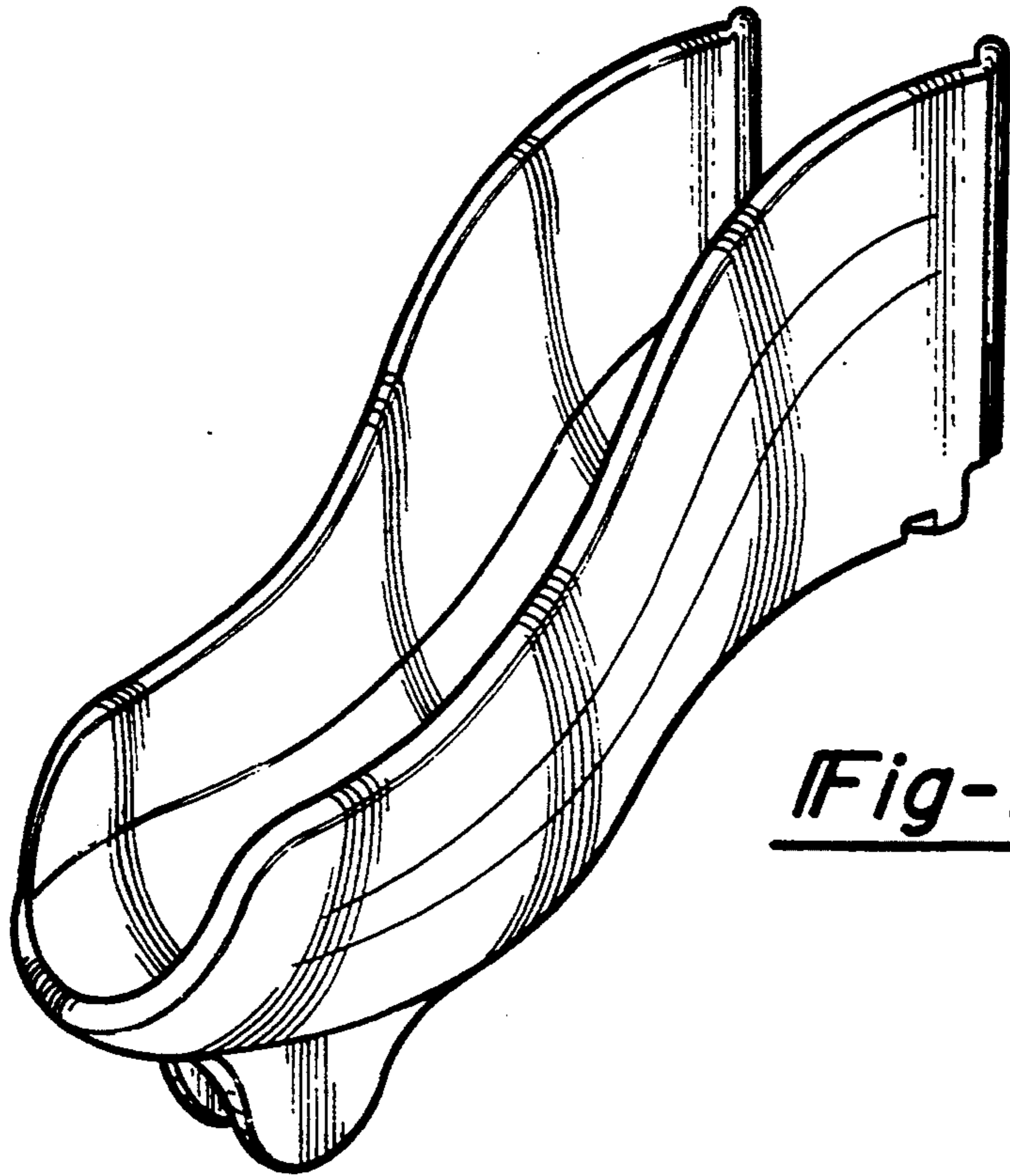


Fig-1

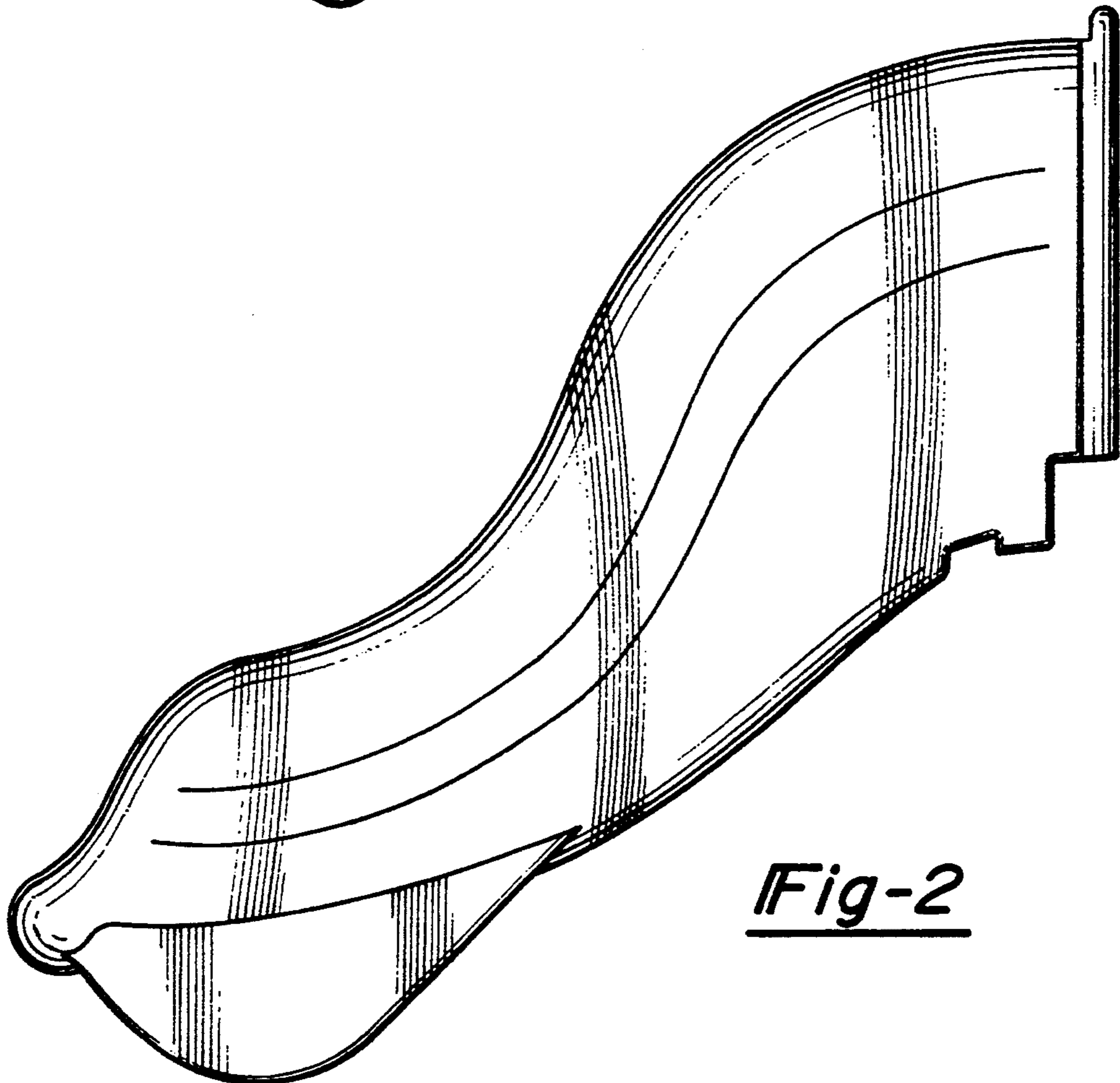


Fig-2

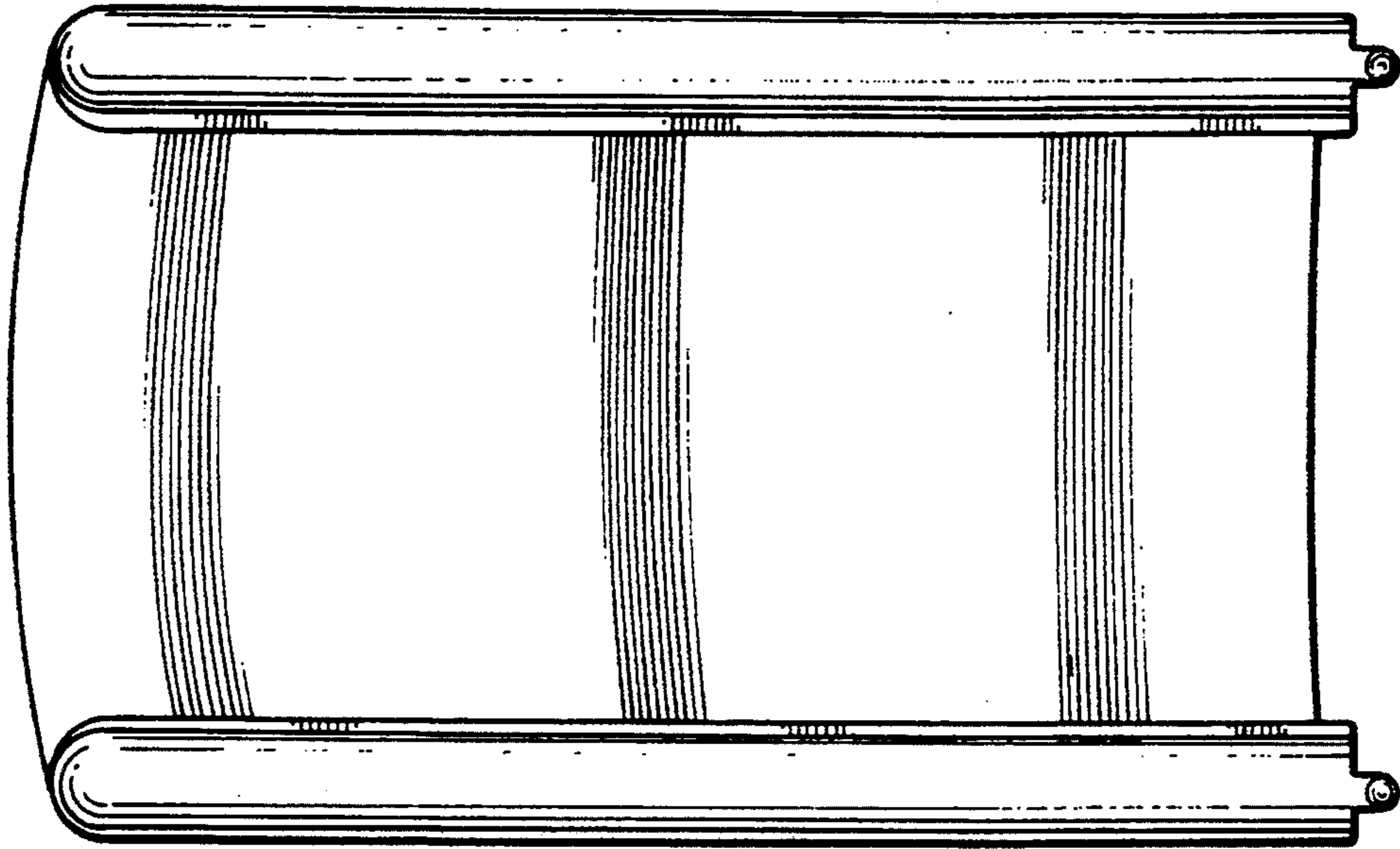


Fig-3

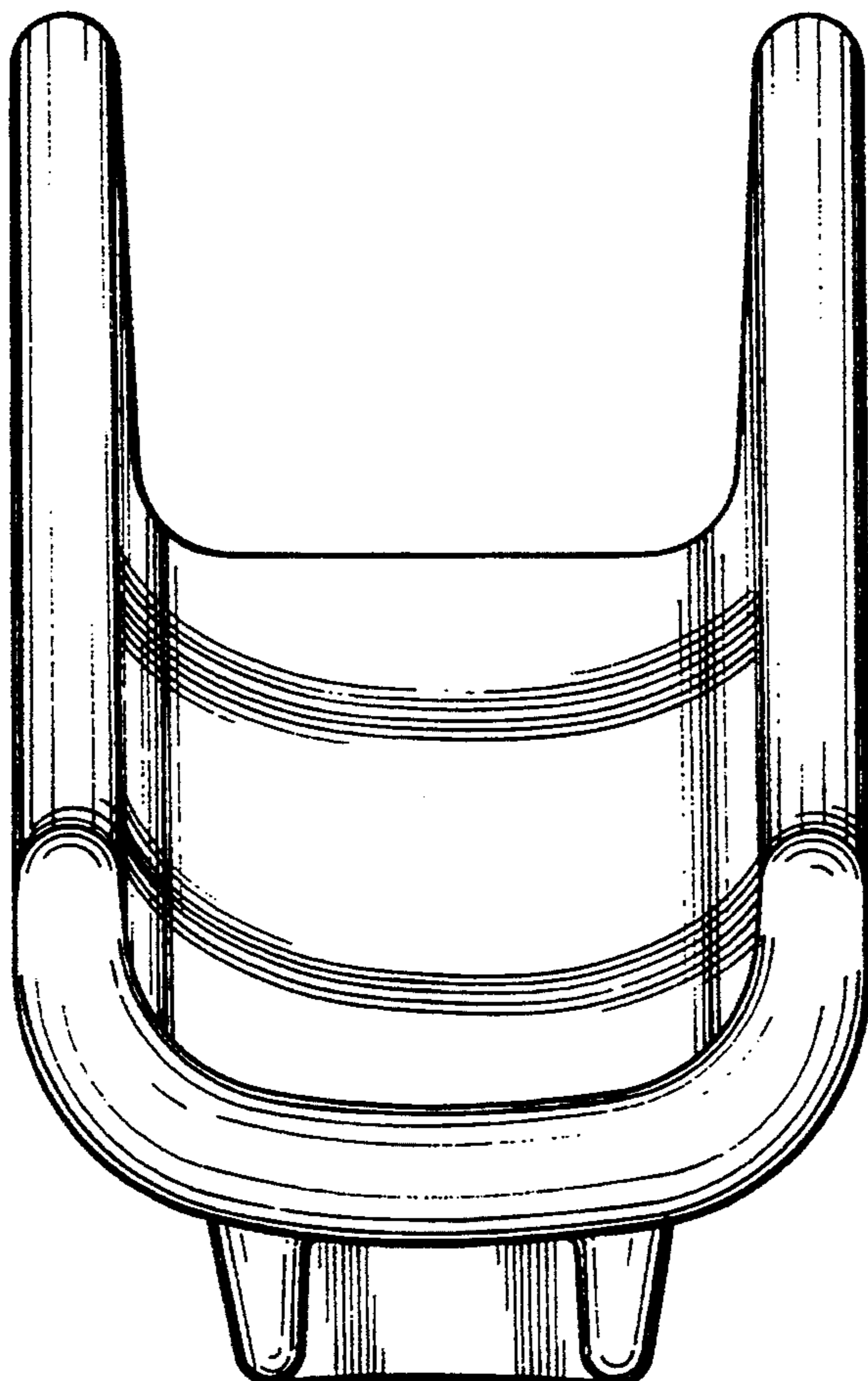


Fig-4

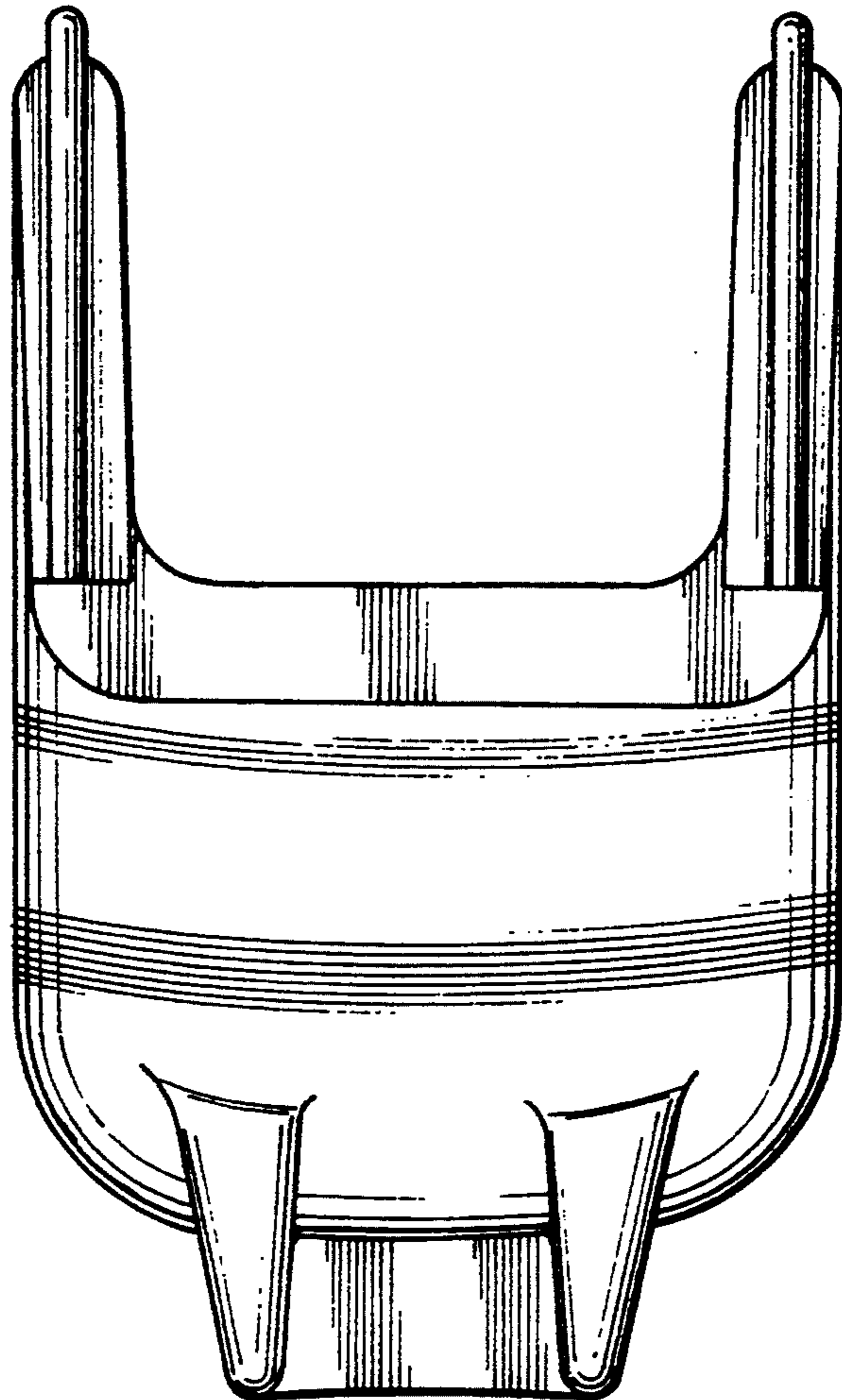
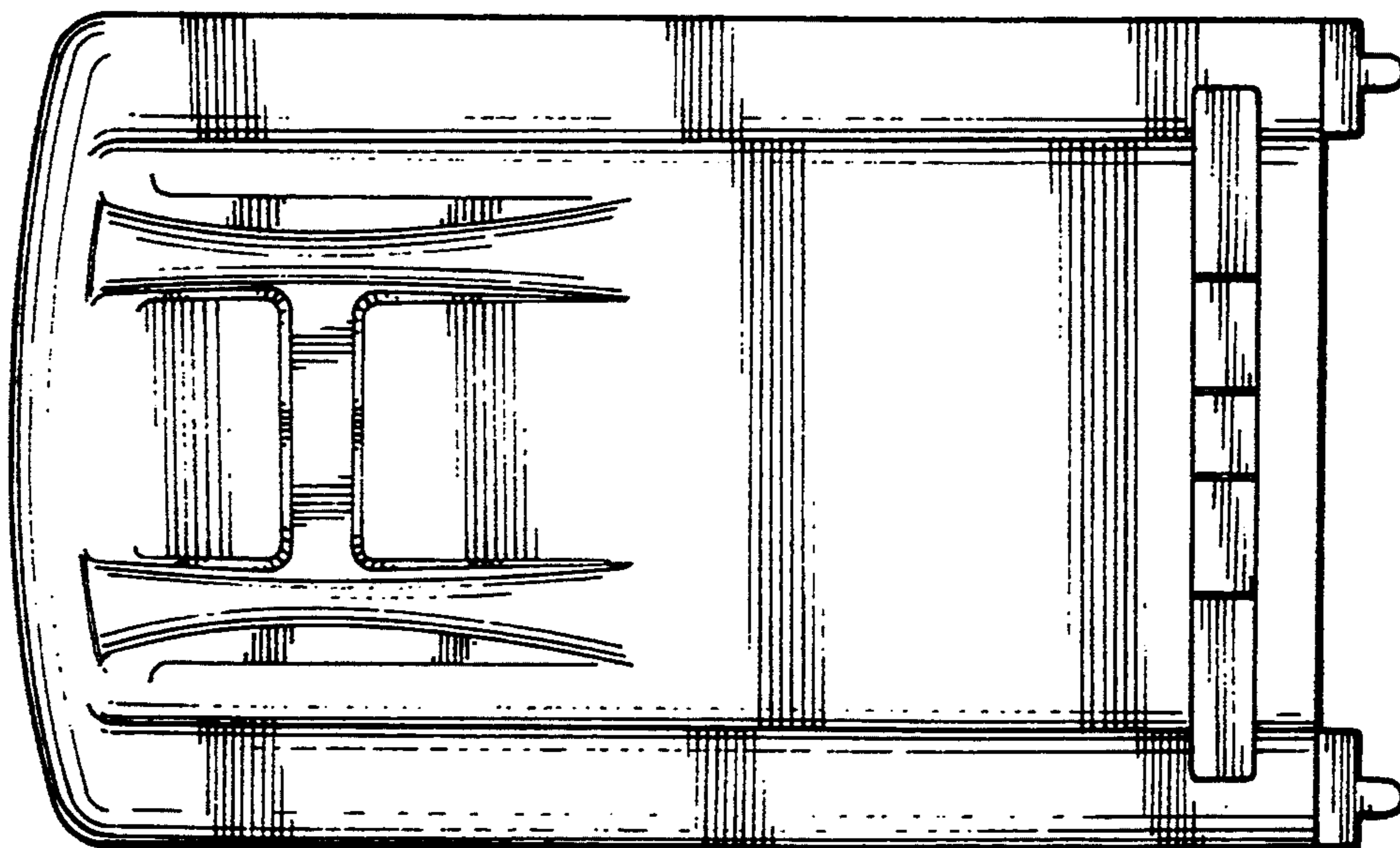


Fig-5

Fig-6



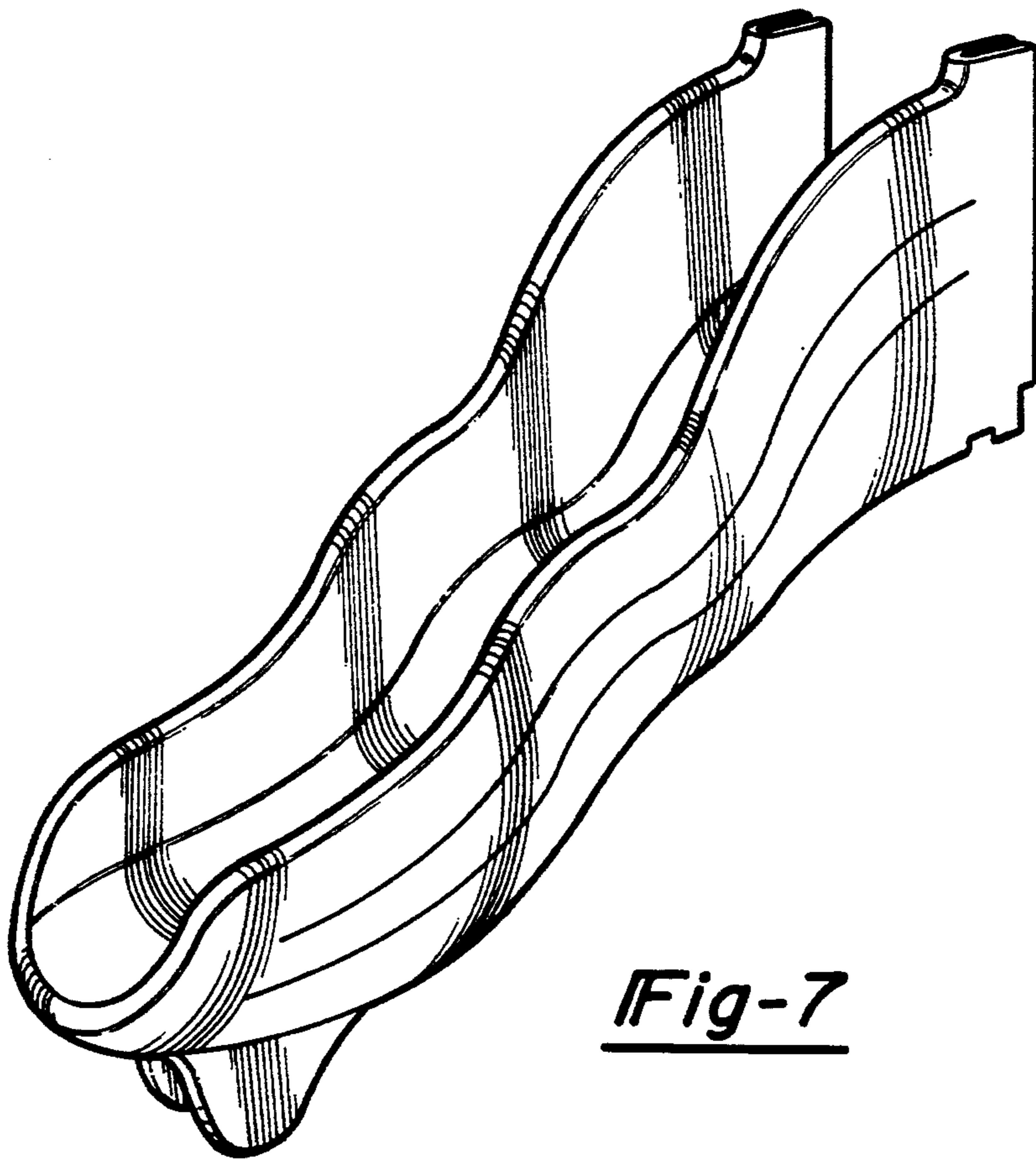


Fig-7

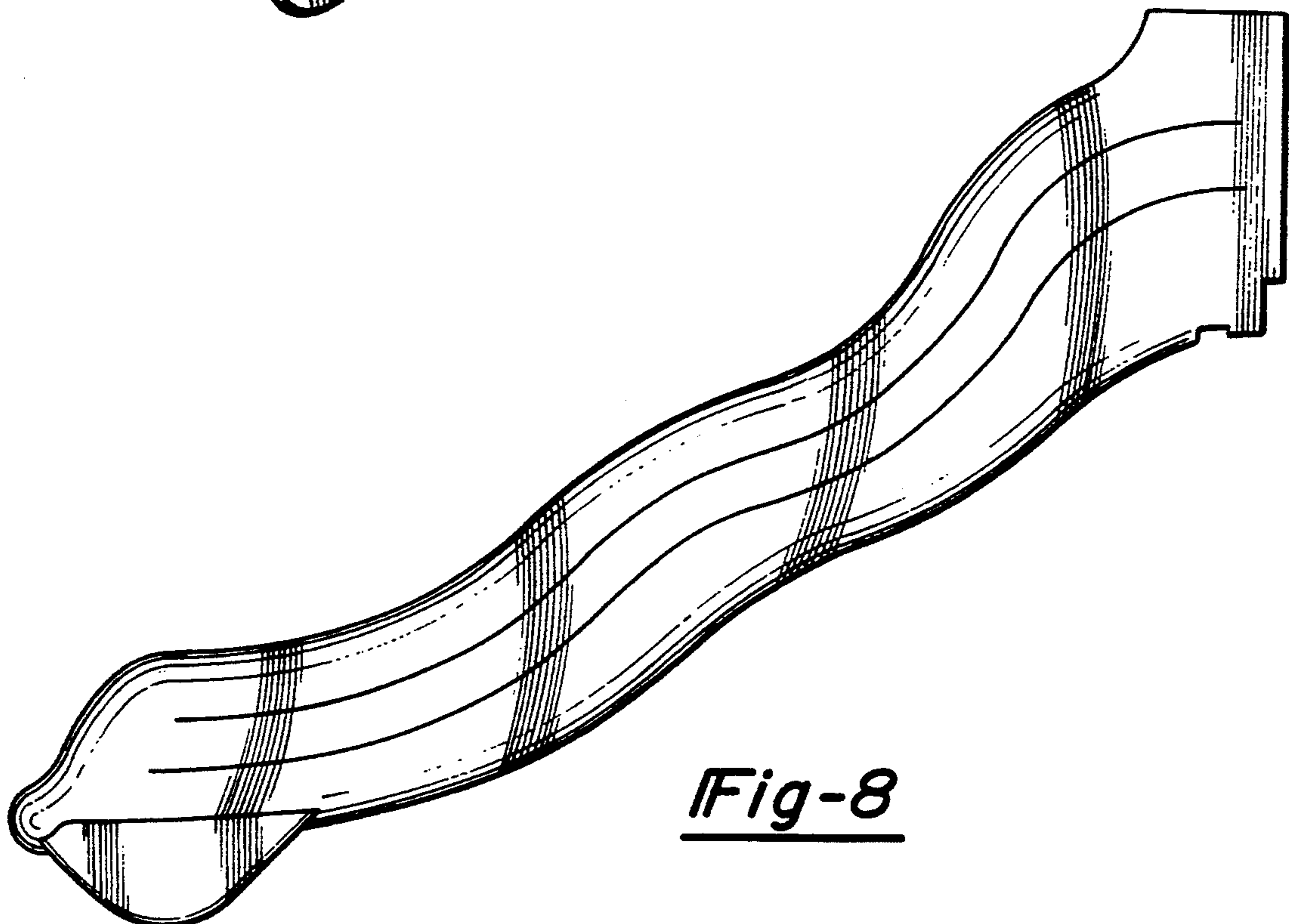


Fig-8

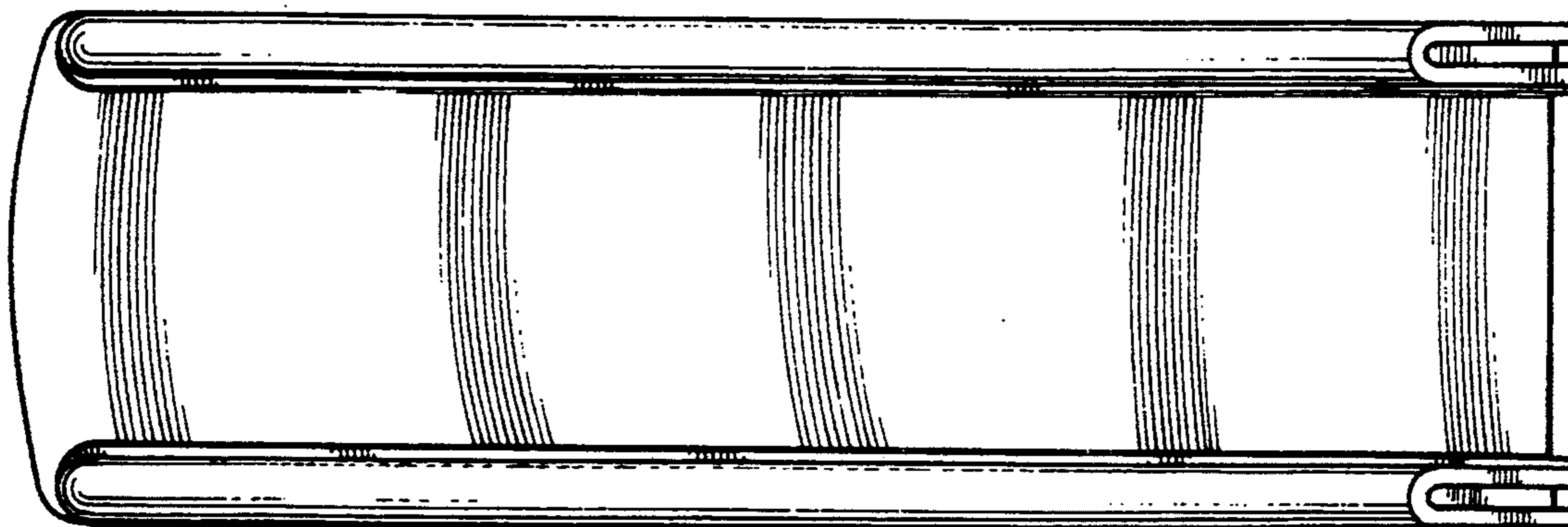


Fig-9

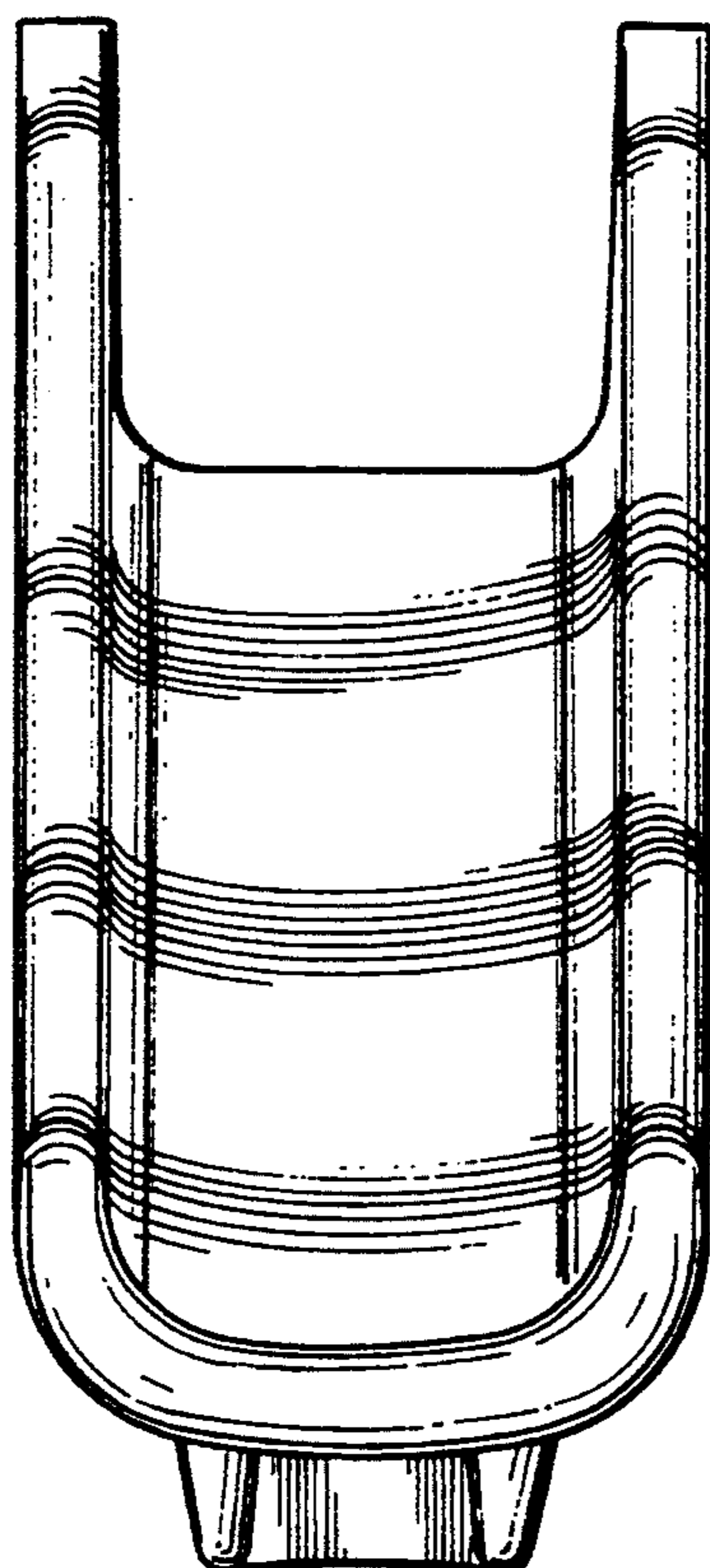


Fig-10

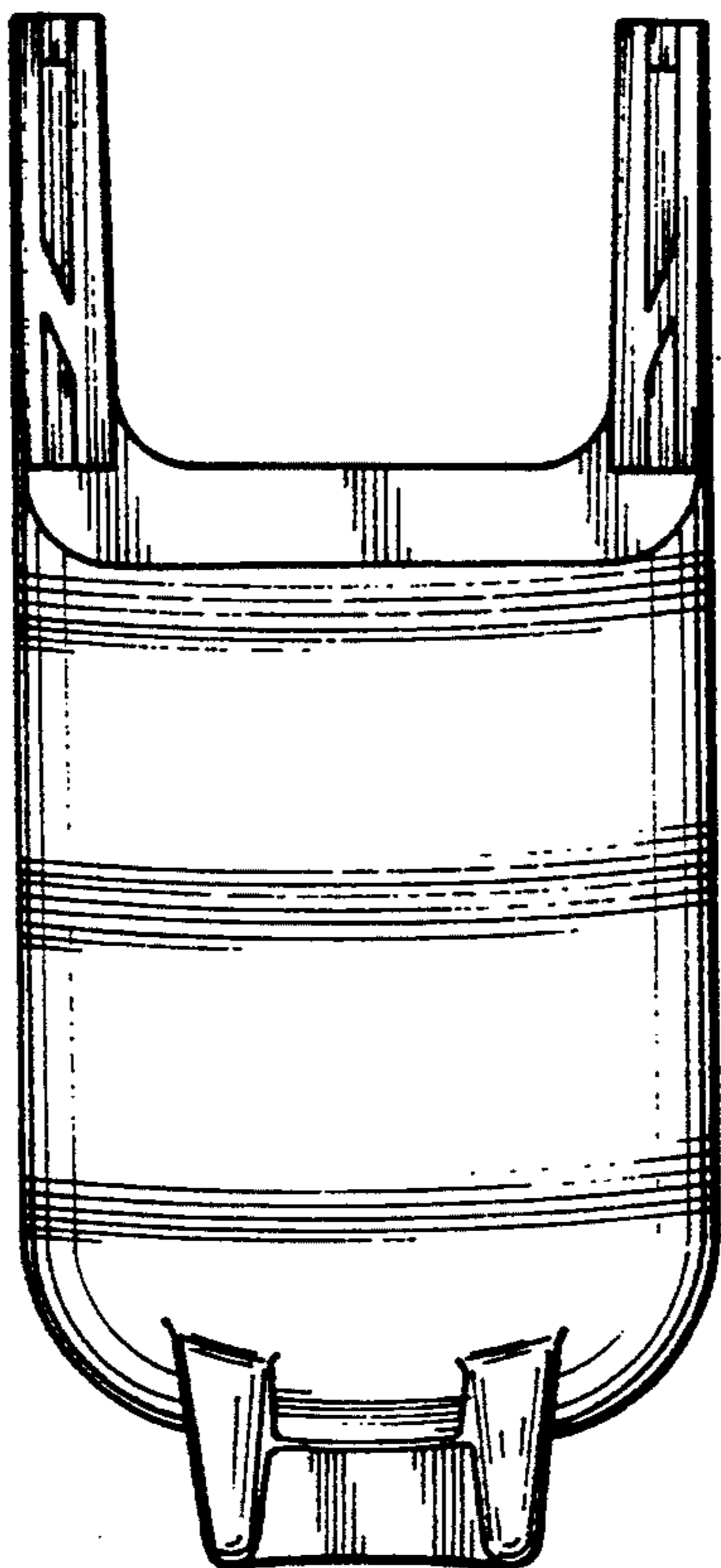


Fig-11

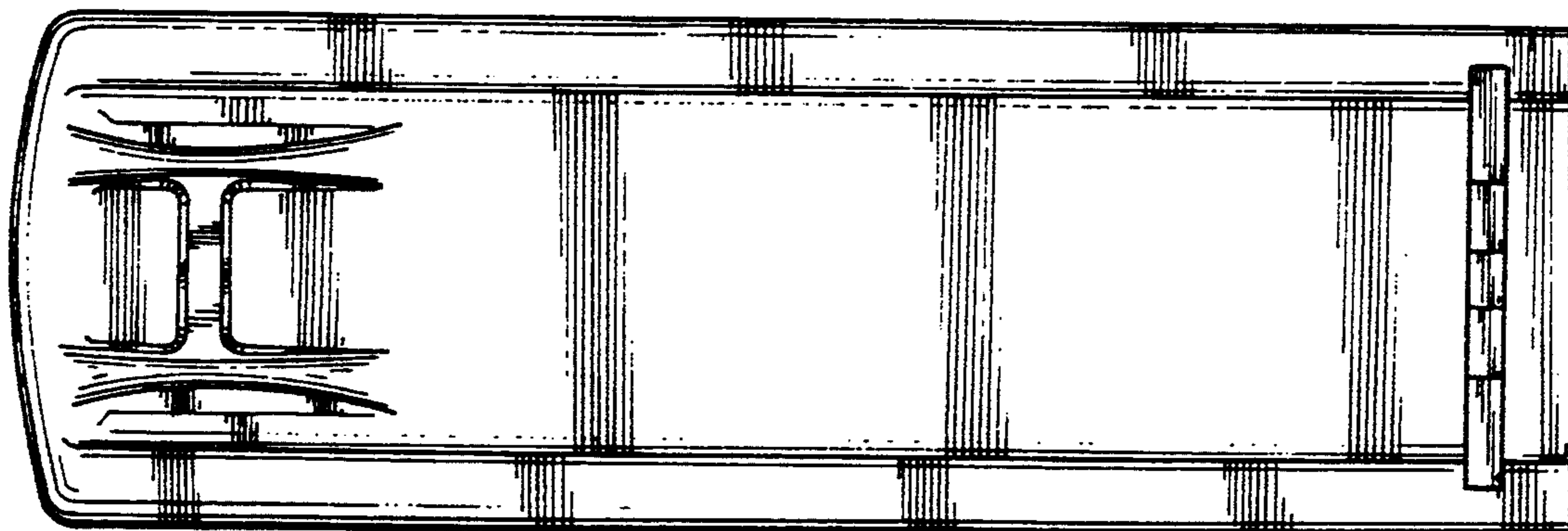


Fig-12