



US00D355688S

# United States Patent [19] Cleveland

[11] Patent Number: **Des. 355,688**  
[45] Date of Patent: **\*\* Feb. 21, 1995**

[54] **GOLF CLUB HEAD**  
[75] Inventor: **Roger Cleveland**, Los Angeles, Calif.  
[73] Assignee: **Roger Cleveland Golf Company, Inc.**,  
Cypress, Calif.  
[\*] Notice: The portion of the term of this patent  
subsequent to Jan. 10, 2009 has been  
disclaimed.  
[\*\*] Term: **14 Years**  
[21] Appl. No.: **572**  
[22] Filed: **Oct. 16, 1992**

4,621,813 11/1986 Solheim ..... 273/77 A  
4,695,054 9/1987 Tunstall ..... 273/167 H X  
4,848,747 7/1989 Fujimura et al. .... 273/77 A  
4,955,610 9/1990 Creighton ..... 273/80 C X  
5,046,733 9/1991 Antonious ..... 273/167 H X  
5,160,136 11/1992 Eger ..... 273/77 A  
5,193,805 3/1993 Solheim ..... 273/77 A

### FOREIGN PATENT DOCUMENTS

1544211 4/1979 United Kingdom ..... 273/80 C  
92/19329 11/1992 WIPO ..... 273/80 C

*Primary Examiner*—Melvin B. Feifer  
*Attorney, Agent, or Firm*—Parkhurst, Wendel & Rossi

### [57] CLAIM

The ornamental design for a golf club head, as shown  
and described.

### DESCRIPTION

FIG. 1 is a perspective view of a golf club head showing  
my new design;  
FIG. 2 is a front view thereof;  
FIG. 3 is a back view thereof;  
FIG. 4 is a top view thereof;  
FIG. 5 is a bottom view thereof;  
FIG. 6 is an inverted left view thereof;  
FIG. 7 is an inverted right view thereof; and,  
FIG. 8 is another embodiment of the face, it being un-  
derstood that the remaining views thereof are the same  
as already shown.

### Related U.S. Application Data

[63] Continuation-in-part of Ser. No. 926,216, Aug. 7, 1992.

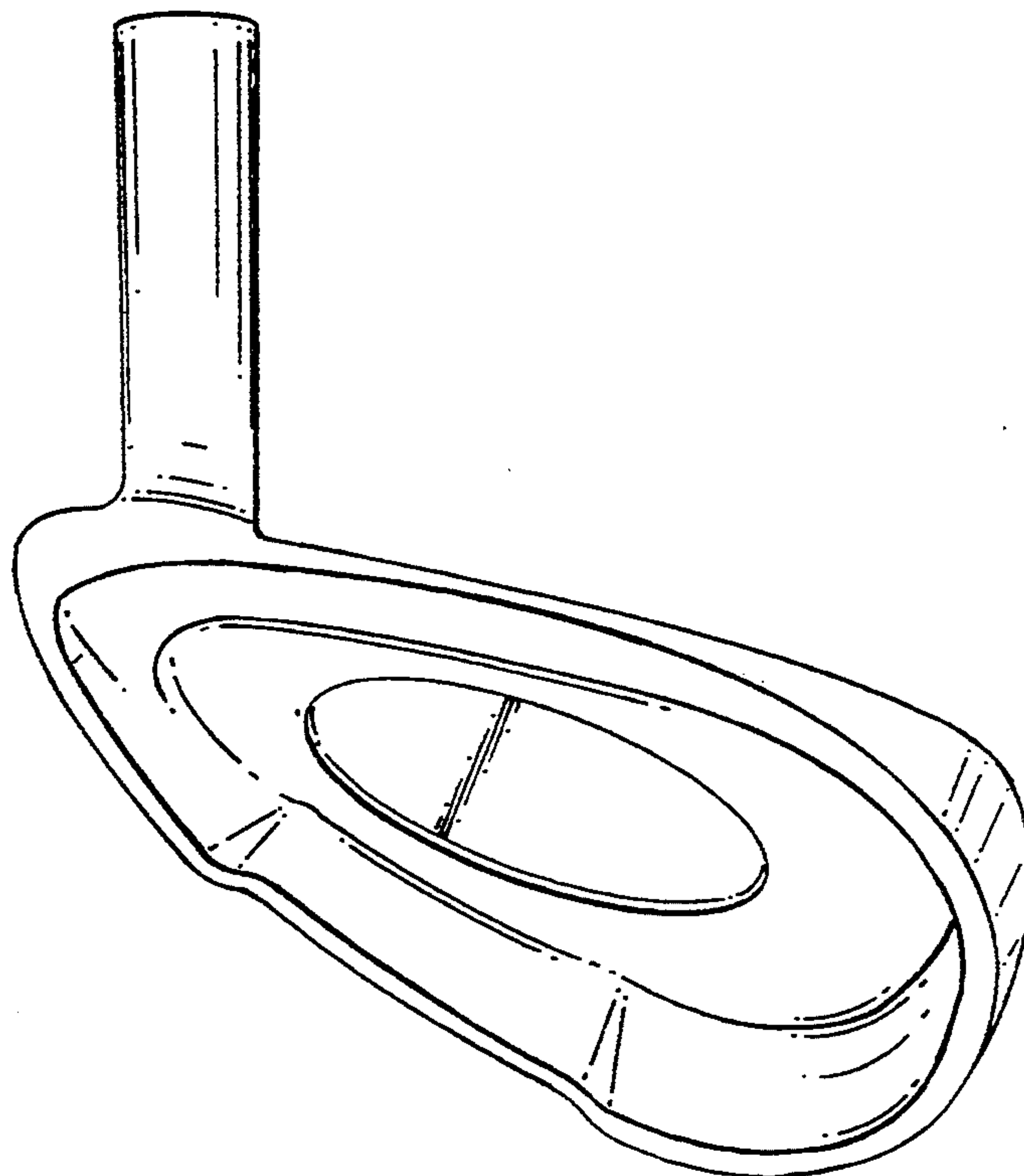
### [30] Foreign Application Priority Data

Jun. 11, 1992 [FR] France ..... 92 07309  
[52] U.S. Cl. .... D21/220  
[58] Field of Search ..... D21/214-220;  
273/167-175

### [56] References Cited

#### U.S. PATENT DOCUMENTS

D. 154,496 7/1949 Klein ..... D21/220  
D. 298,269 10/1988 Flood .  
3,762,717 10/1973 Johnston ..... 273/167 G X  
3,967,826 7/1976 Judice ..... 273/167 G X



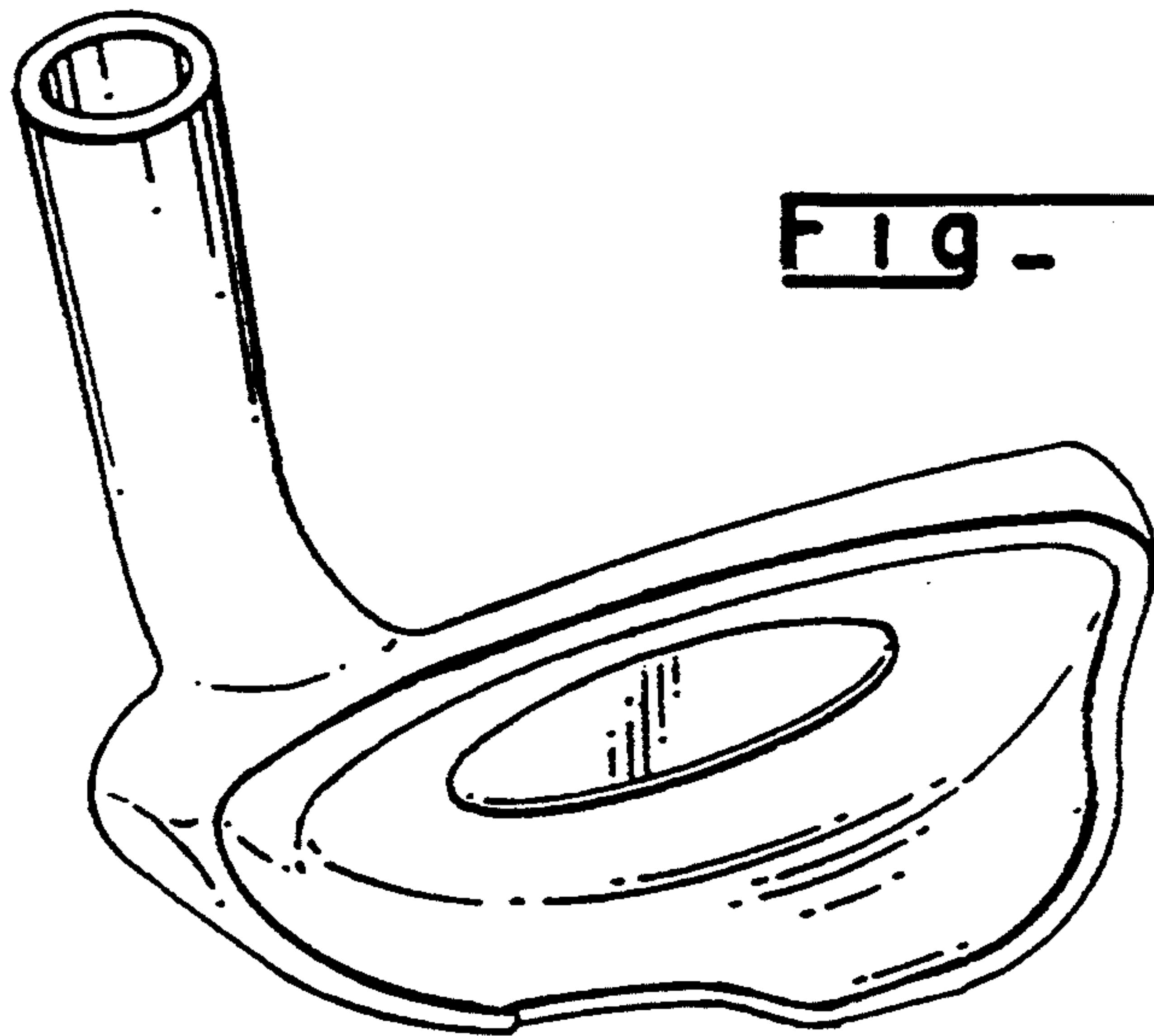


FIG - 1

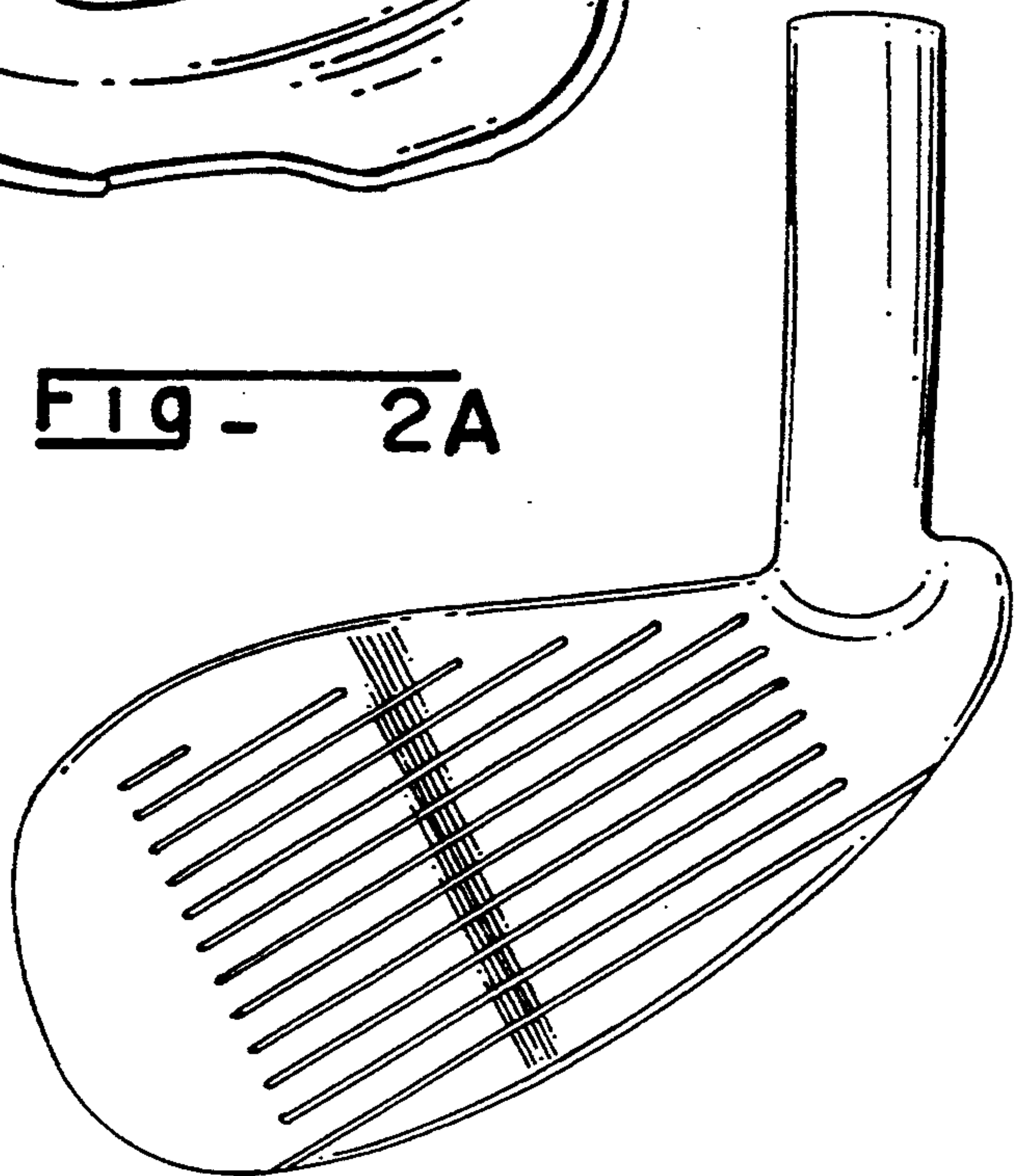


FIG - 2A

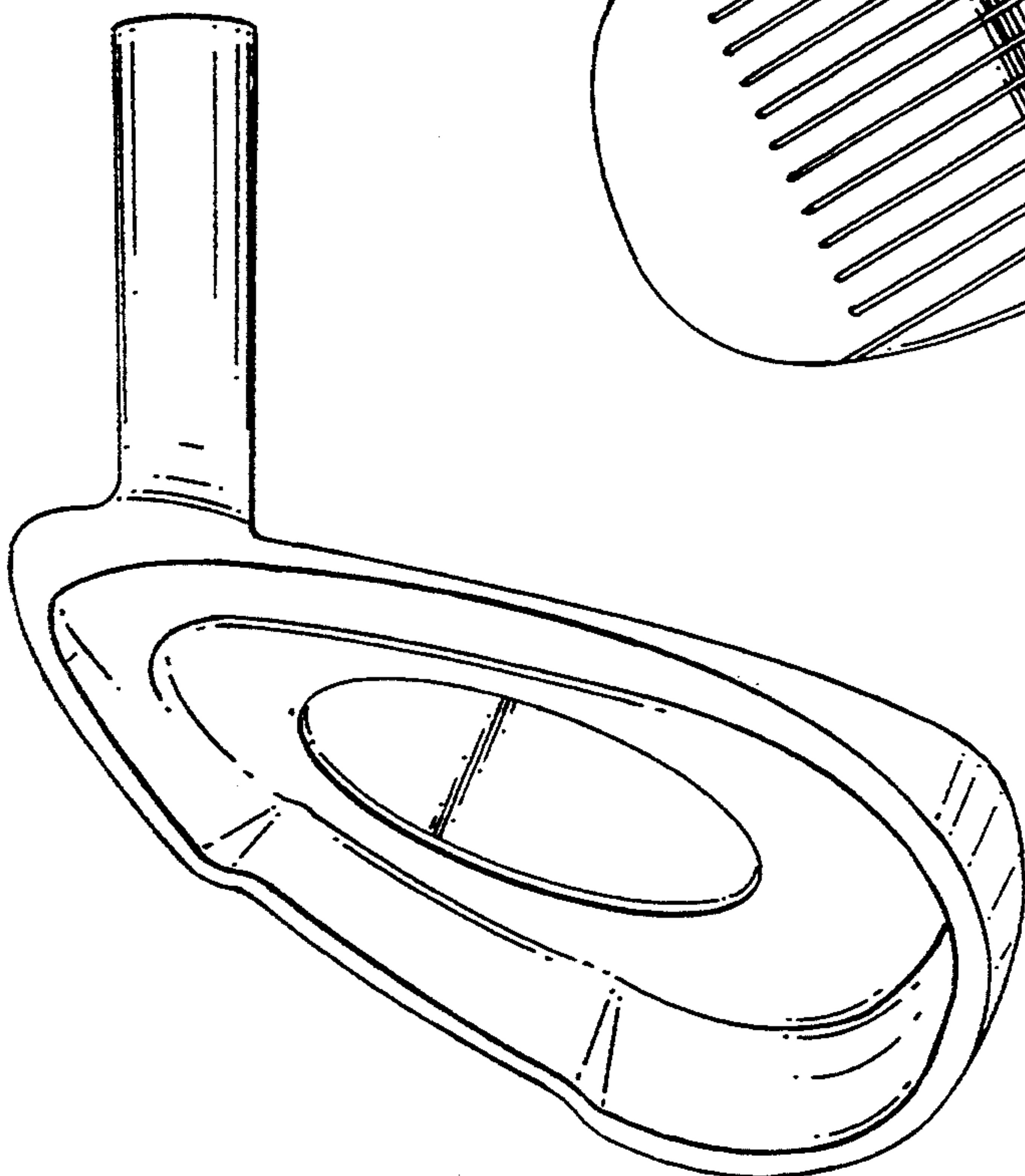
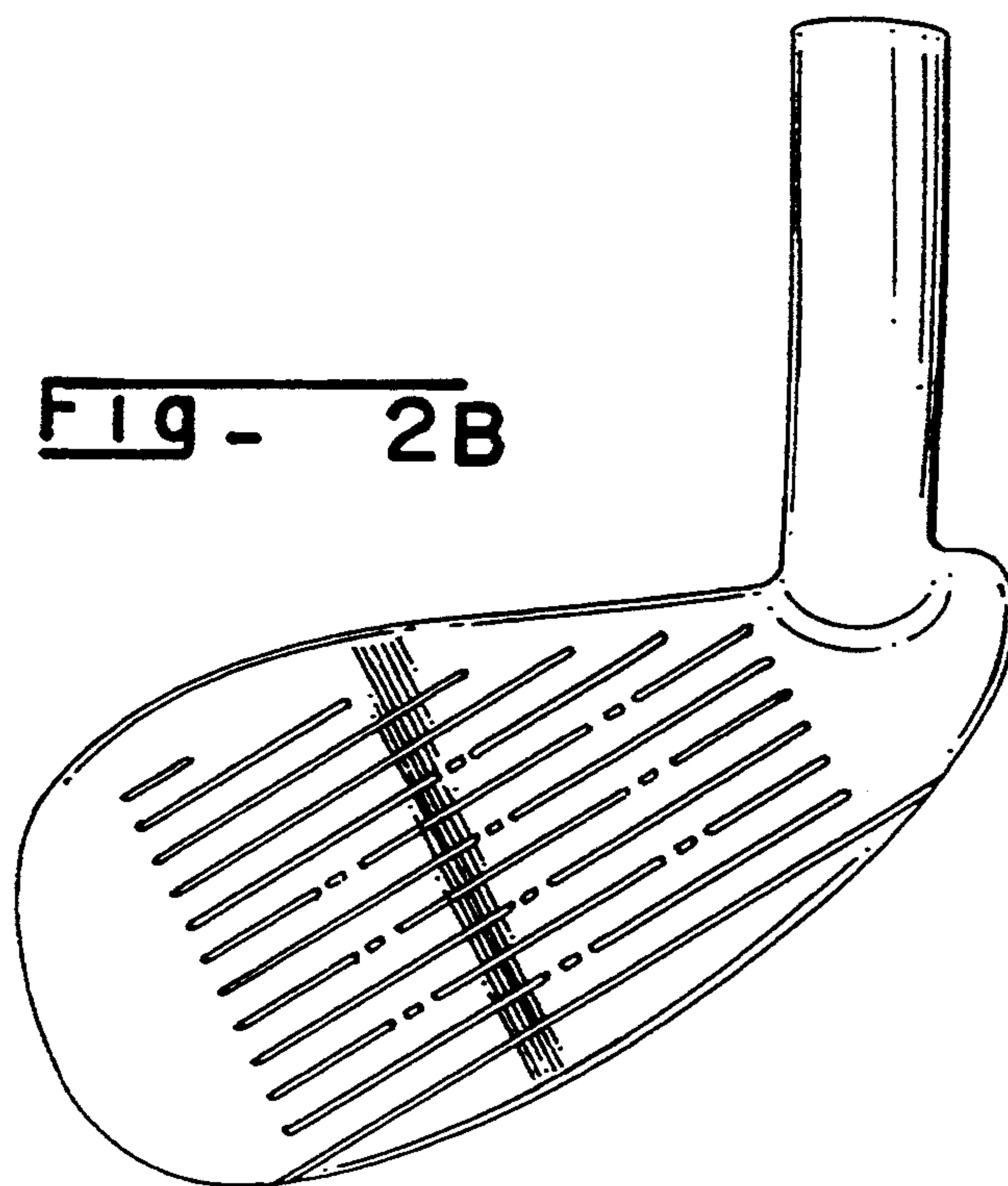


FIG - 3



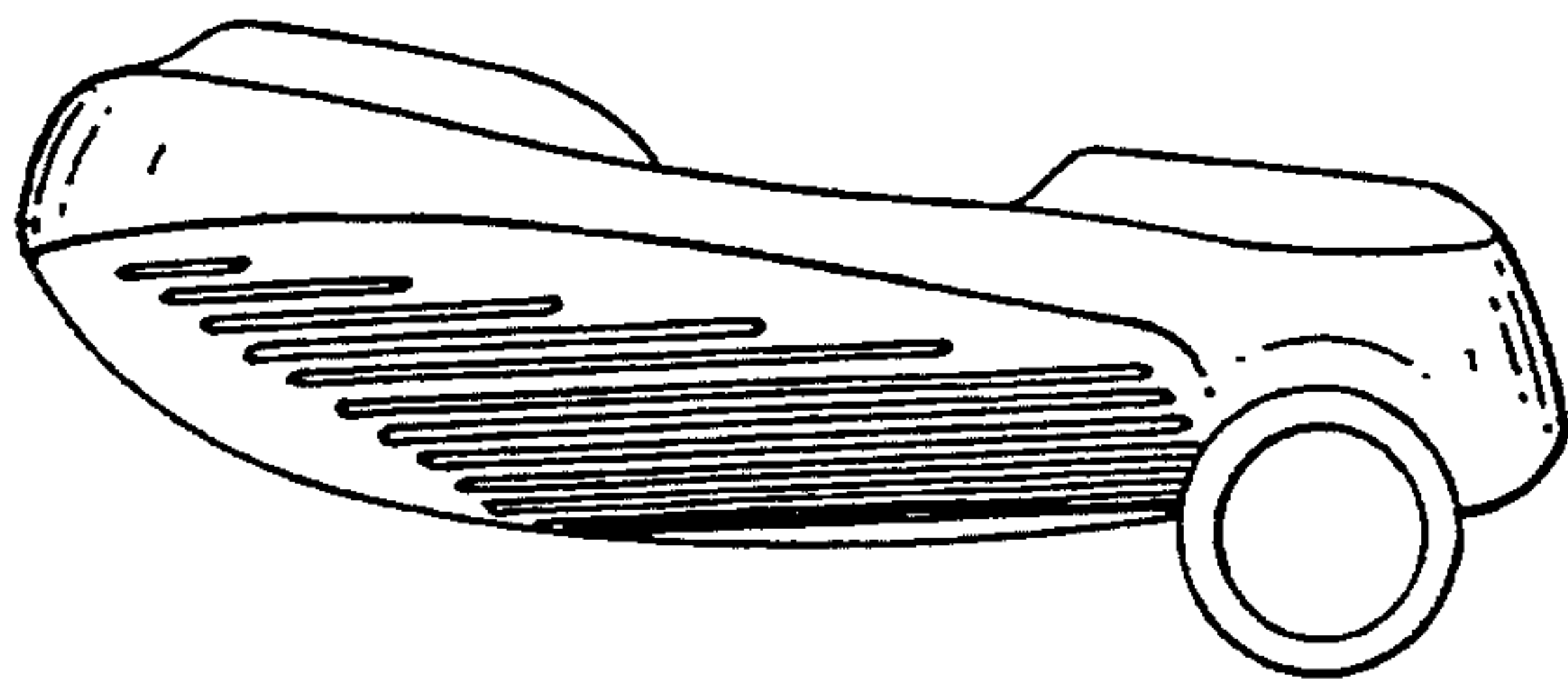


FIG - 4

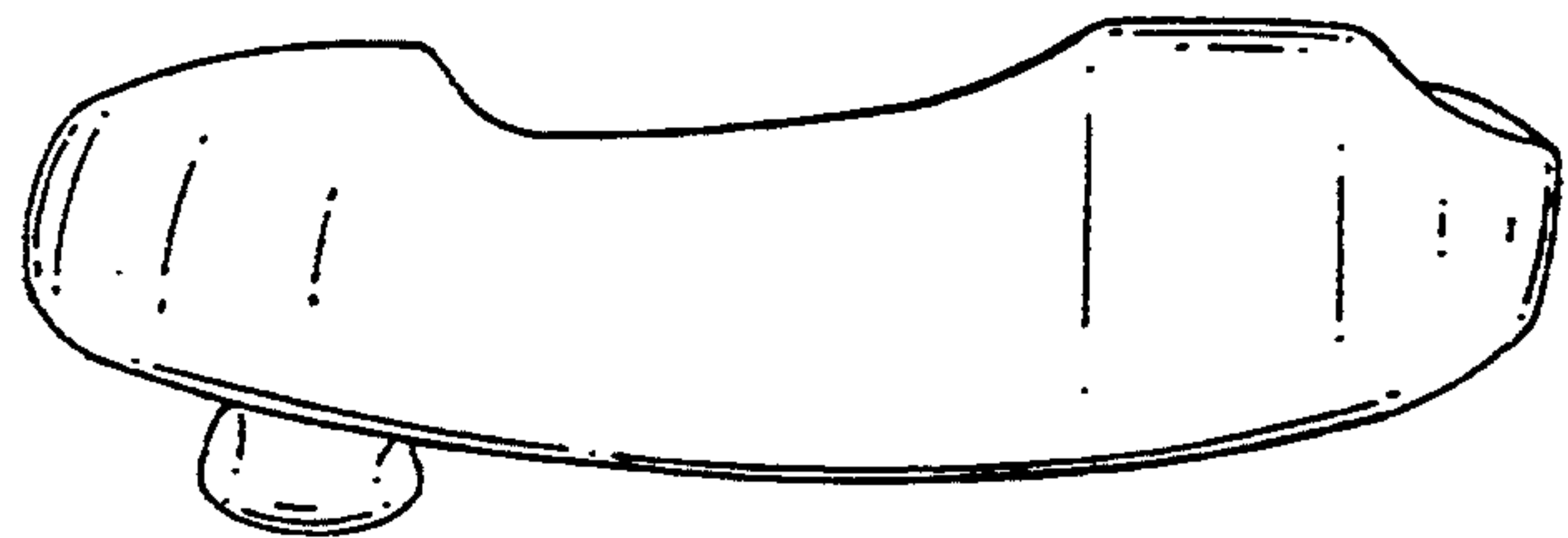


FIG - 5



FIG - 6

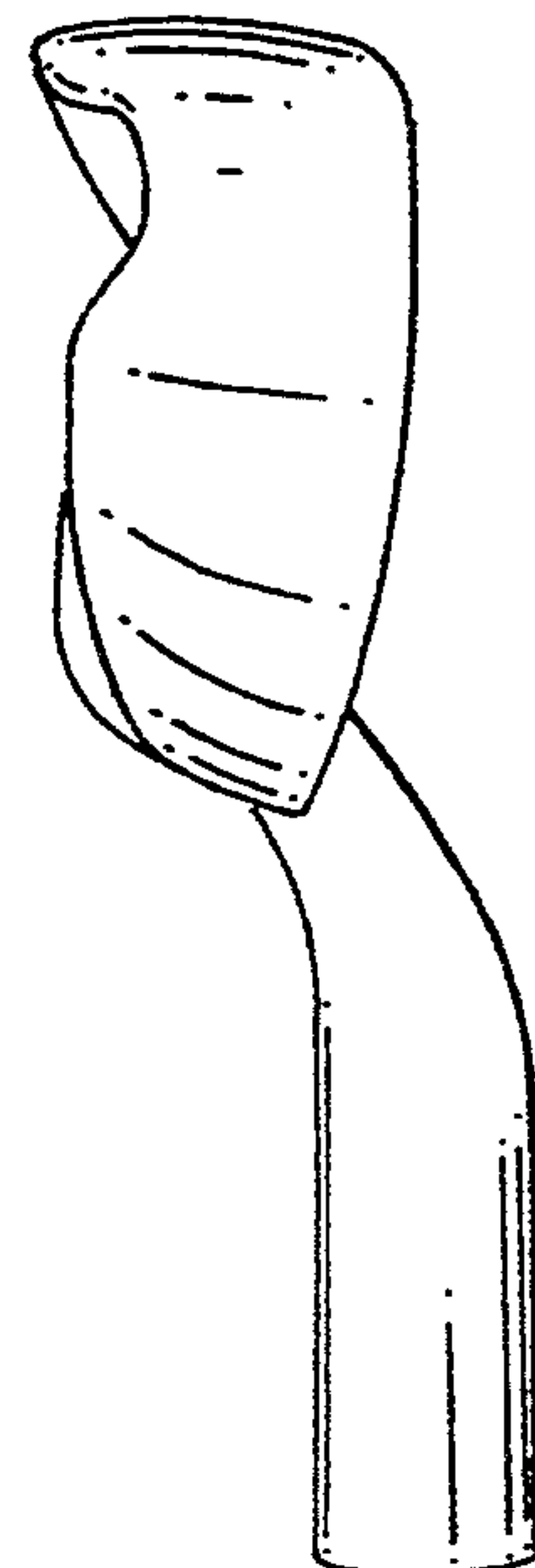


FIG - 7