



US00D355687S

United States Patent [19]

[11] Patent Number: **Des. 355,687**

Morrow

[45] Date of Patent: **** Feb. 21, 1995**

[54] GOLF PUTTER HEAD

[76] Inventor: **Jack Morrow**, 4536 High Rock Trace, Marietta, Ga. 30066

[**] Term: **14 Years**

[21] Appl. No.: **11,093**

[22] Filed: **Jul. 26, 1993**

[52] U.S. Cl. **D21/219**

[58] Field of Search **D21/217-219;**
273/164.1, 167-175

[56] References Cited

U.S. PATENT DOCUMENTS

D. 251,027	2/1979	Cruger	D21/219
D. 270,746	2/1983	Sanna	D21/219
D. 282,555	2/1986	Shearer	D21/217
4,484,746	11/1984	Brill	273/167 A

OTHER PUBLICATIONS

Golf Digest, 1977 April; p. 35; HROS Putter, lower box—last putter on right.

Primary Examiner—Melvin B. Feifer

Assistant Examiner—Mitchell I. Siegel

[57] CLAIM

The ornamental design for a golf putter head, as shown and described.

DESCRIPTION

FIG. 1 is a perspective view of the golf putter head showing my new design;

FIG. 2 is a left side elevational view thereof;

FIG. 3 is a right side elevational view thereof;

FIG. 4 is a front elevational view thereof;

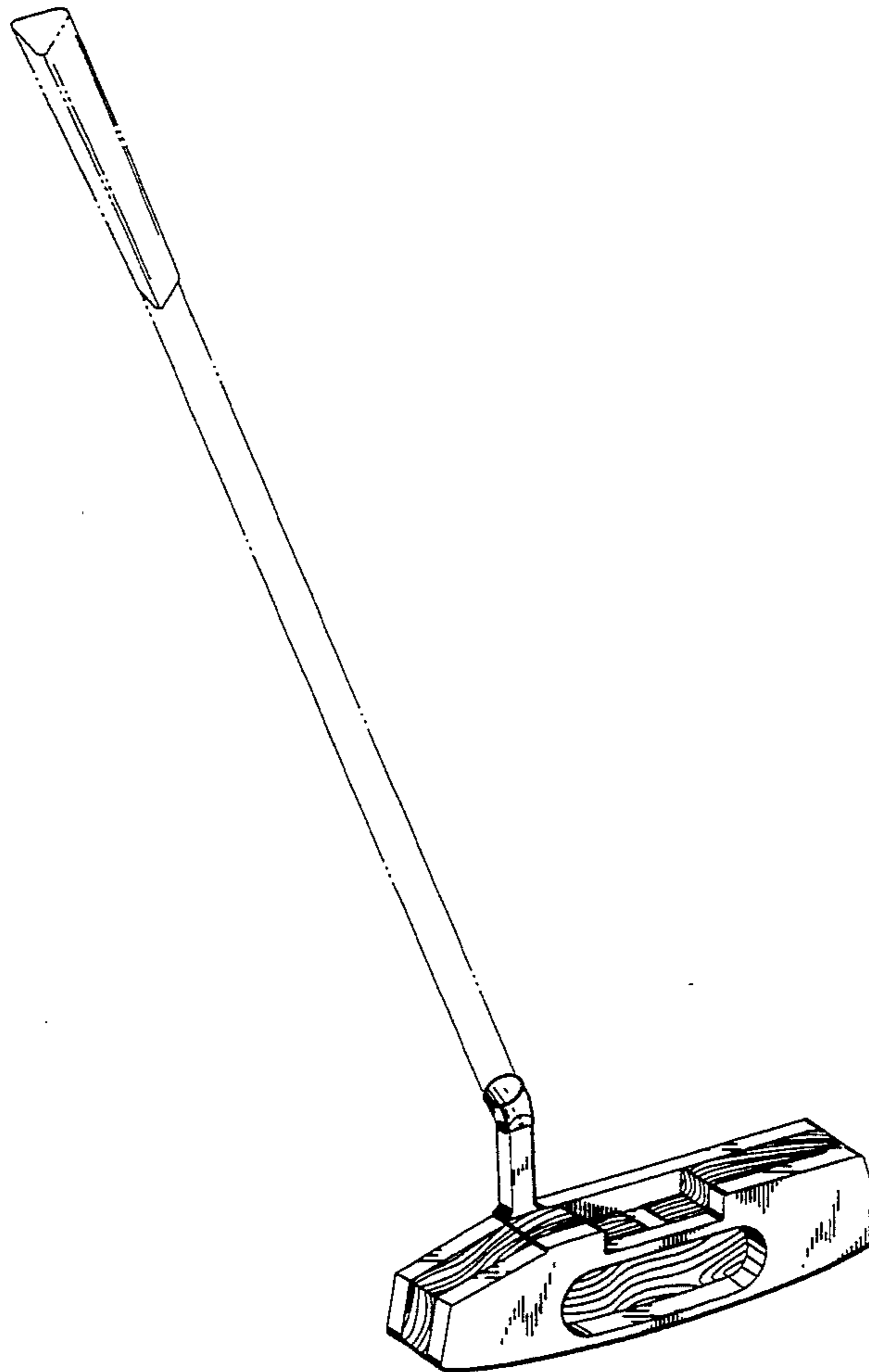
FIG. 5 is a rear elevational view thereof;

FIG. 6 is a top plan view thereof;

FIG. 7 is a bottom plan view thereof; and,

FIG. 8 is a perspective view of a second embodiment of the putter head as shown in FIG. 1.

The broken line showing of a shaft and grip is for illustrative purposes only and forms no part of the claimed design.



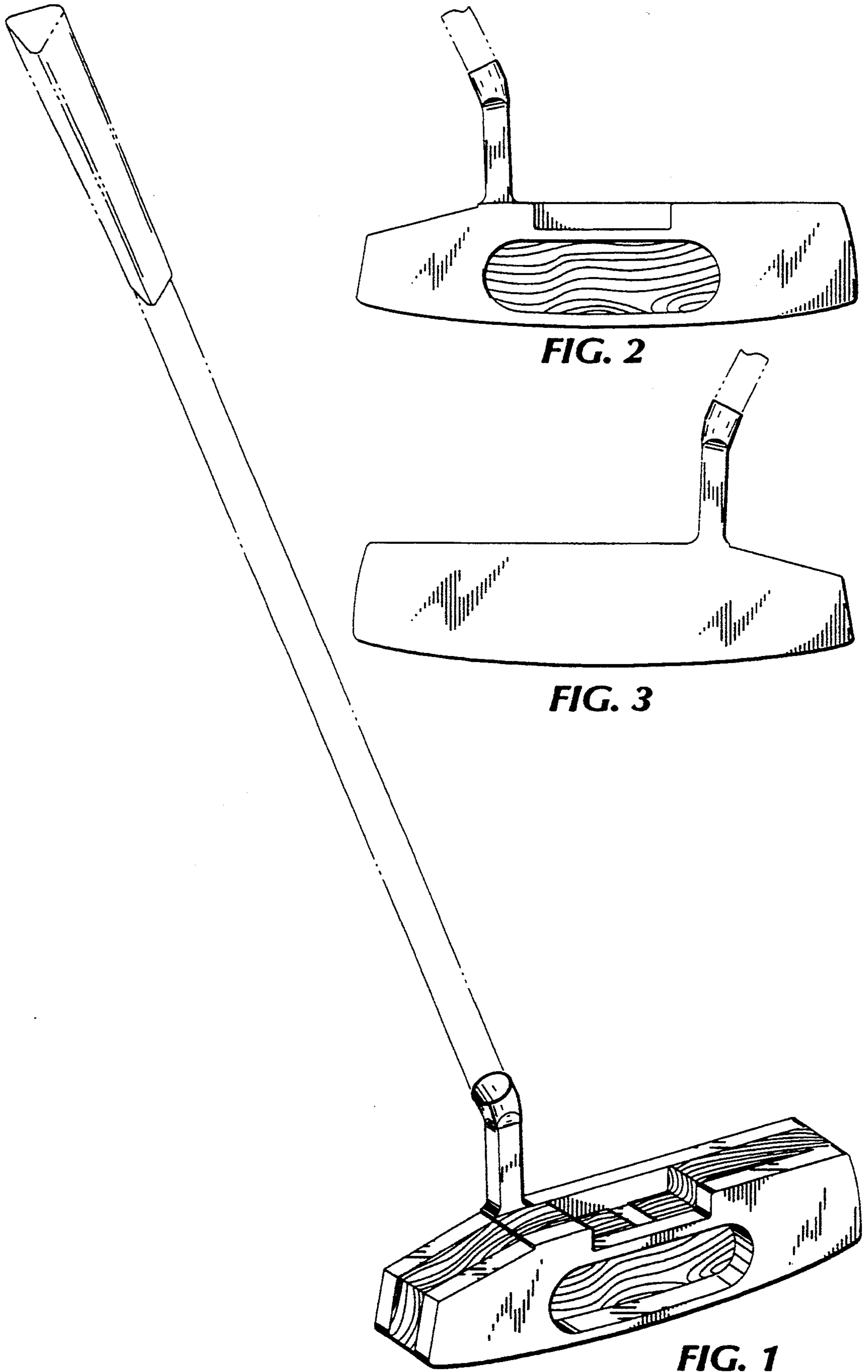


FIG. 2

FIG. 3

FIG. 1

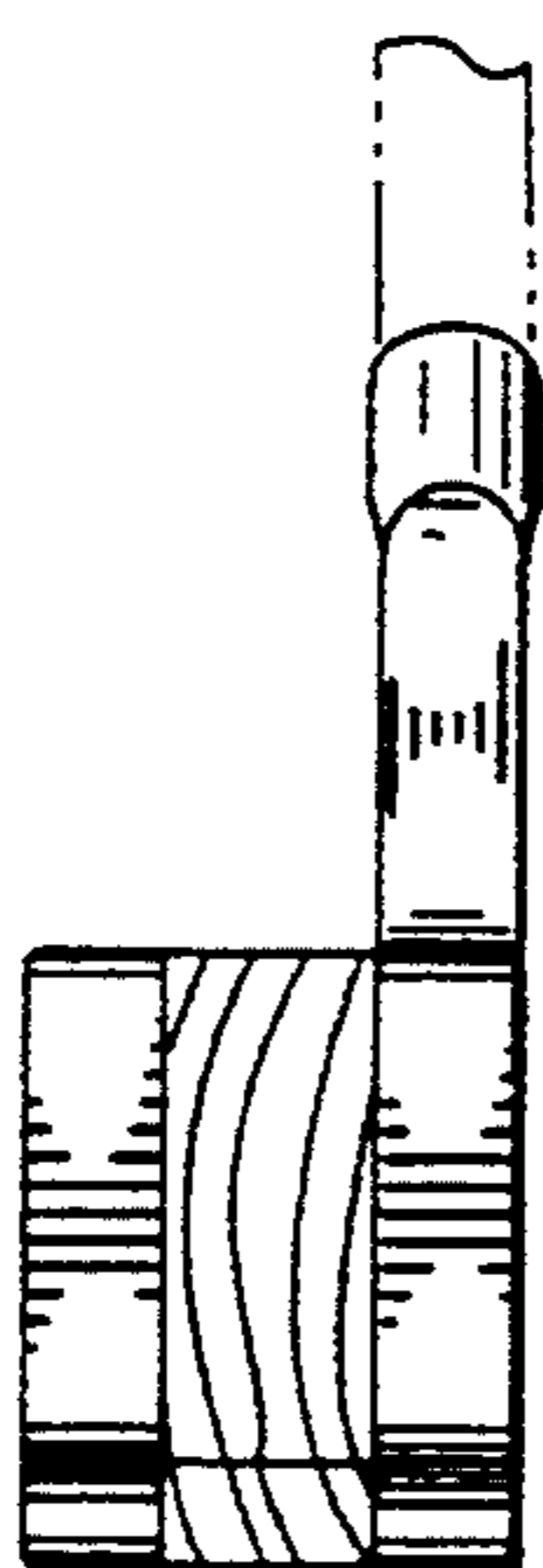


FIG. 4

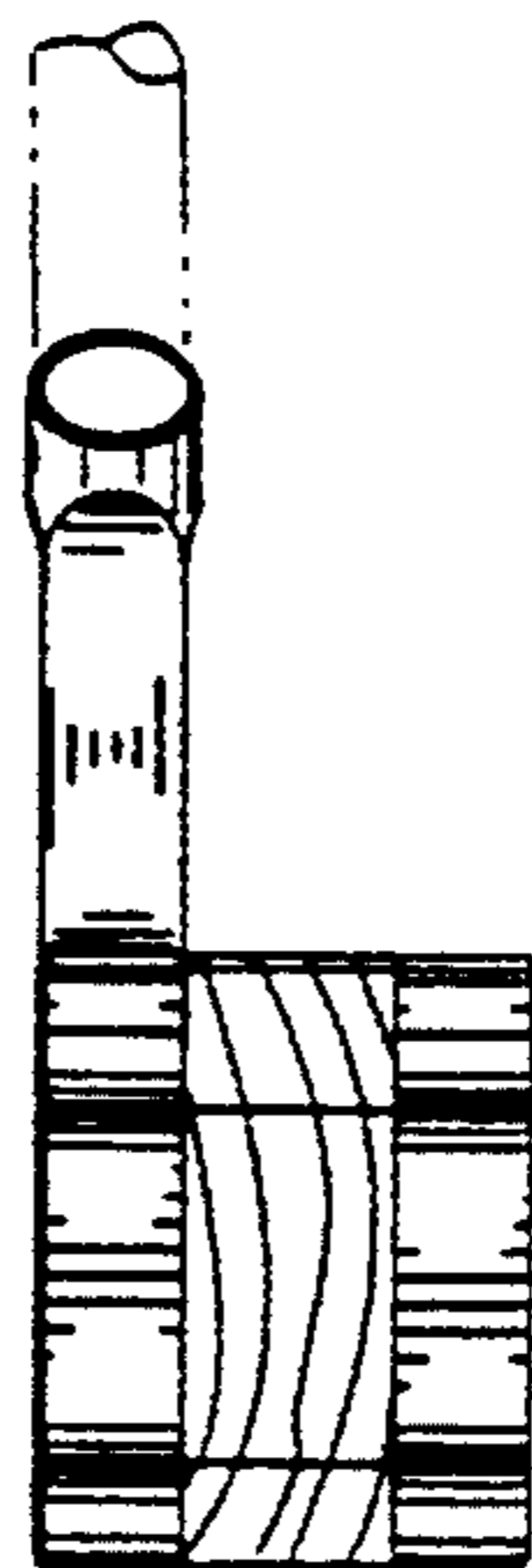


FIG. 5

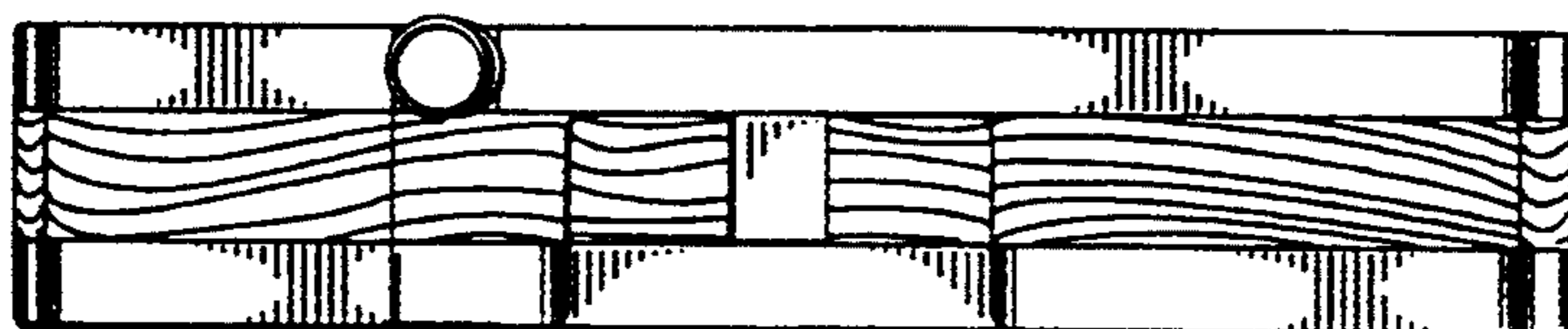


FIG. 6

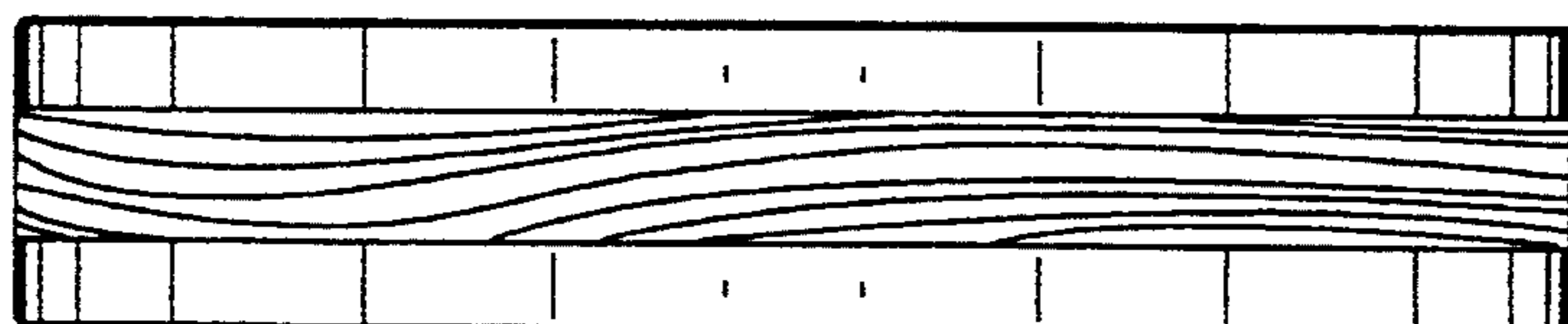


FIG. 7

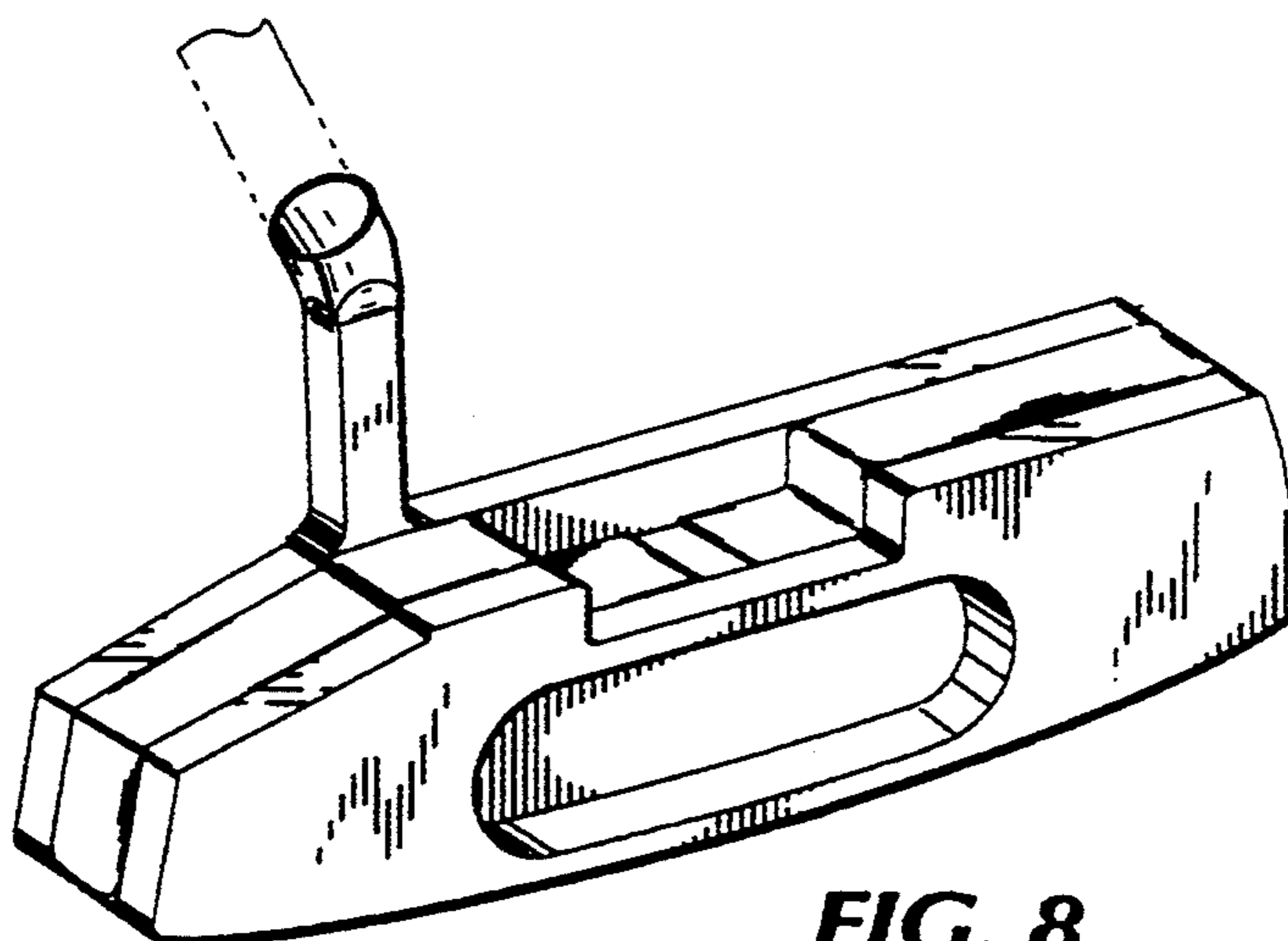


FIG. 8