



US00D355684S

United States Patent [19]

[11] Patent Number: **Des. 355,684**

Rawls et al.

[45] Date of Patent: **** Feb. 21, 1995**

[54] **EXERCISE MACHINE**

[75] Inventors: **R. Lee Rawls**, Woodinville; **James A. Duncan**, Renton; **Cynthia M. K. Warehime**, Bothell; **John Ohrt**, Redmond, all of Wash.

4,509,745 4/1985 Angsten 482/98
 4,511,137 4/1985 Jones 482/142
 4,792,135 12/1988 Chin-Sen 482/98
 4,900,013 2/1990 Rodgers, Jr. 482/71
 4,902,007 2/1990 Ferrari 482/97
 5,074,551 12/1991 Olschansky et al. 482/130

[73] Assignee: **Stairmaster Sports/Medical Products, Inc.**, Kirkland, Wash.

Primary Examiner—Bernard Ansher
Assistant Examiner—Philip Hyder
Attorney, Agent, or Firm—Seed and Berry

[**] Term: **14 Years**

[21] Appl. No.: **13,798**

[57] CLAIM

[22] Filed: **Oct. 1, 1993**

The ornamental design for an exercise machine, as shown and described.

[52] U.S. Cl. **D21/195; D21/191**

[58] Field of Search **D21/191, 195; 482/72, 482/74, 133, 907, 130, 97, 98, 142, 71**

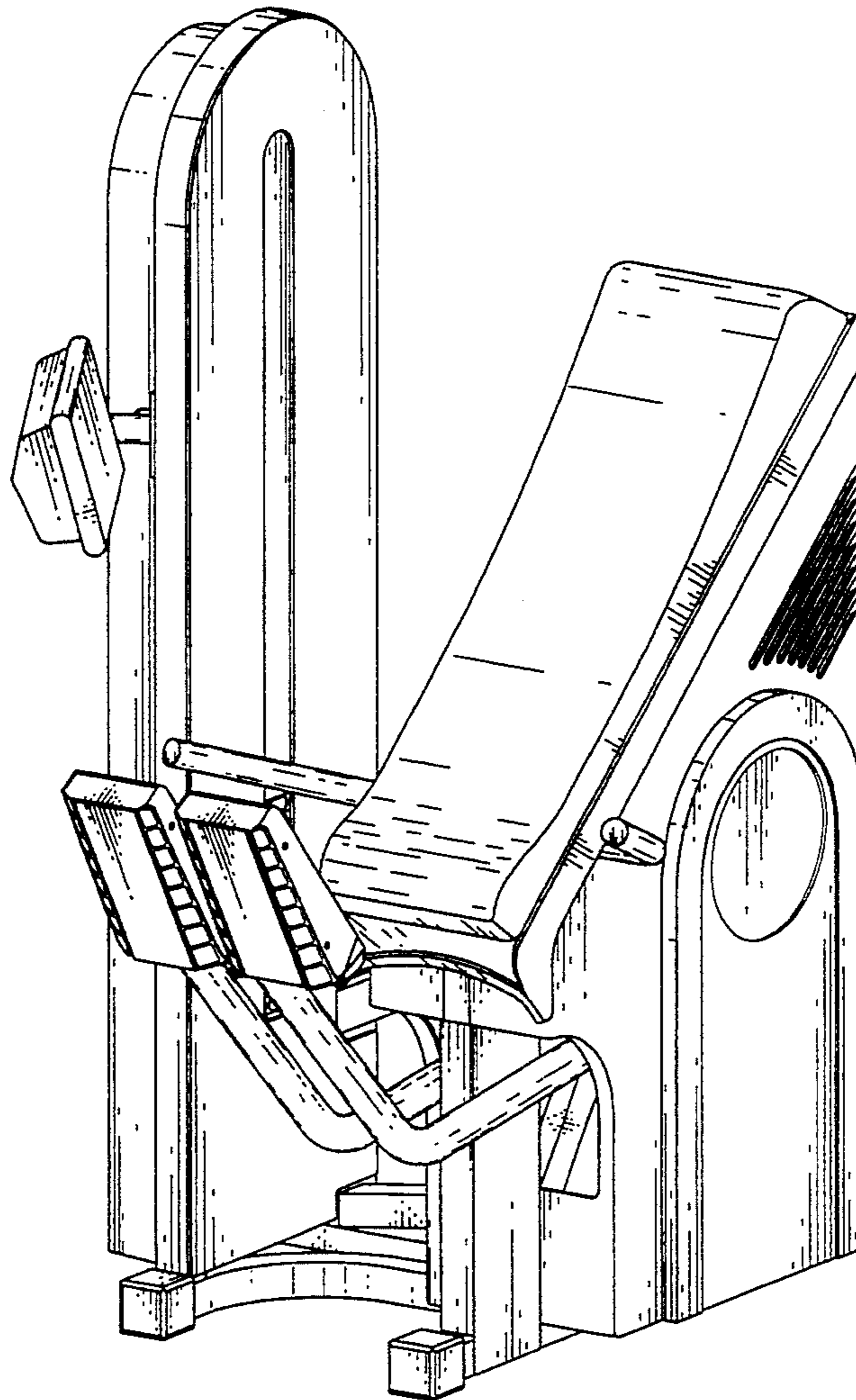
DESCRIPTION

[56] References Cited

U.S. PATENT DOCUMENTS

D. 269,543 6/1983 Walper et al. D21/195
 D. 300,233 3/1989 Griffin D21/195
 D. 300,647 4/1989 Griffin D21/191
 D. 325,610 4/1992 Walker et al. D21/195

FIG. 1 is a front perspective view of an exercise machine showing our new design;
 FIG. 2 is a left side elevational view thereof;
 FIG. 3 is a rear elevational view thereof;
 FIG. 4 is a right side elevational view thereof;
 FIG. 5 is a front elevational view thereof;
 FIG. 6 is a top plan view thereof; and,
 FIG. 7 is a bottom plan view thereof.



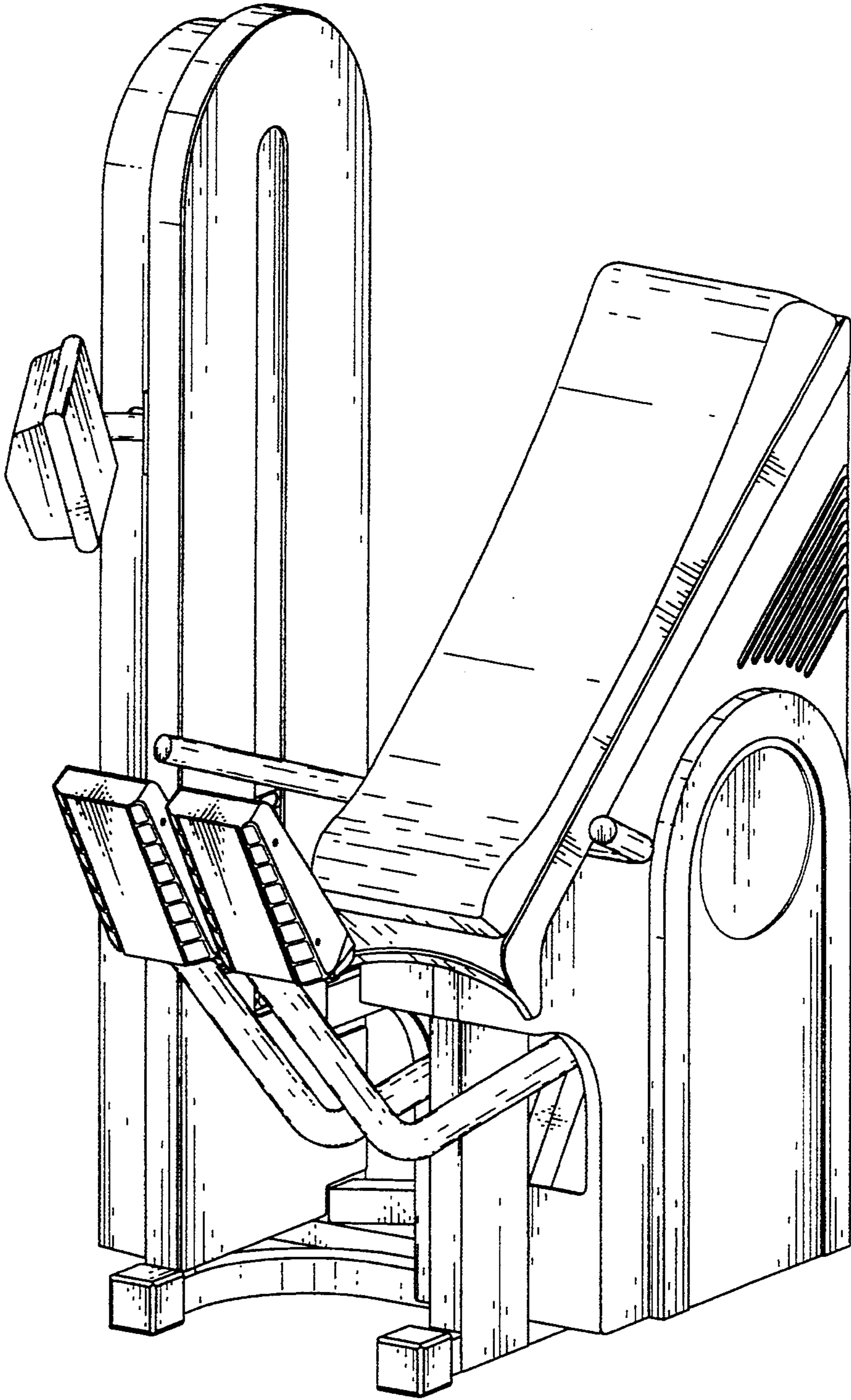


Figure 1

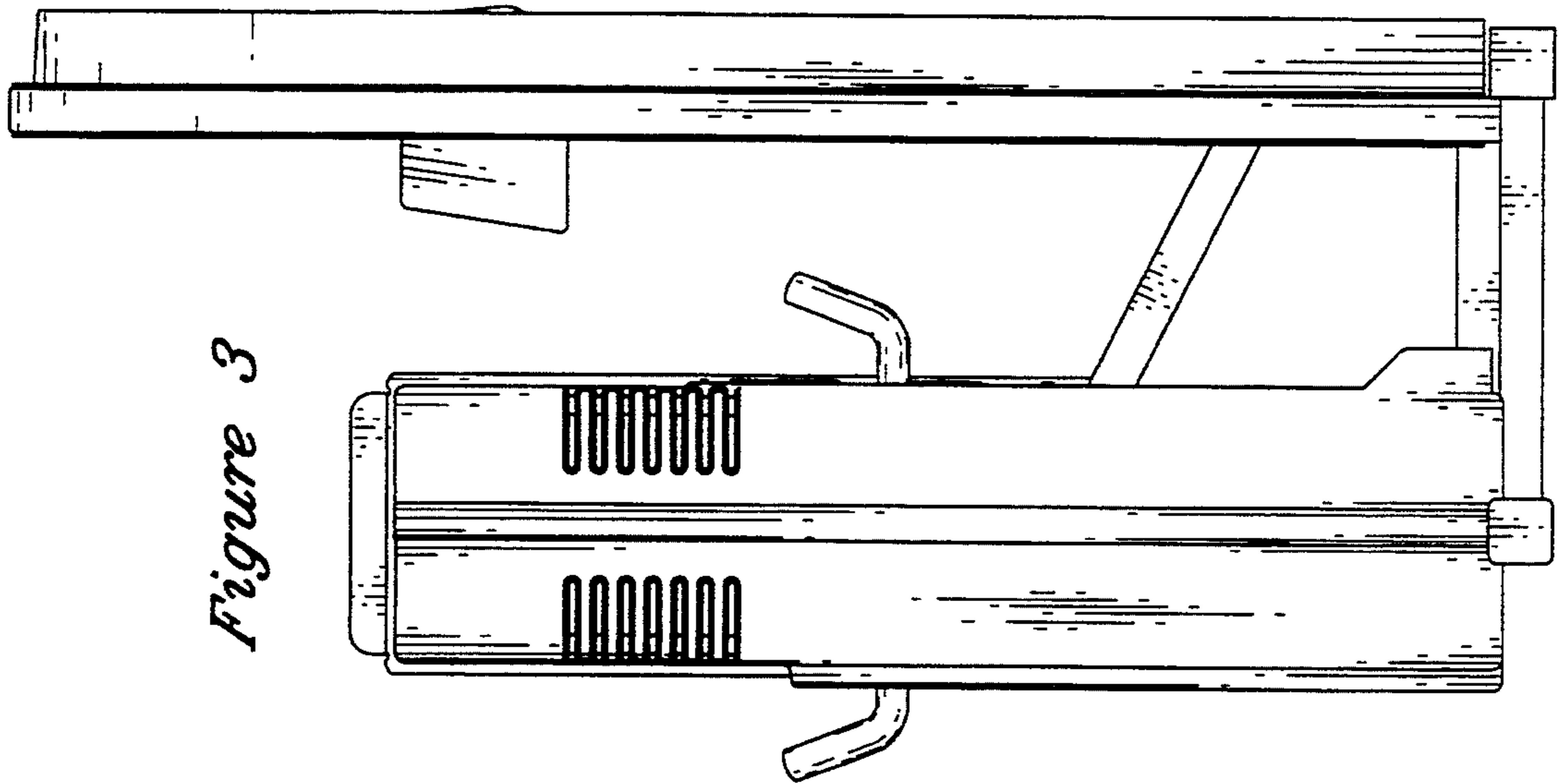


Figure 3

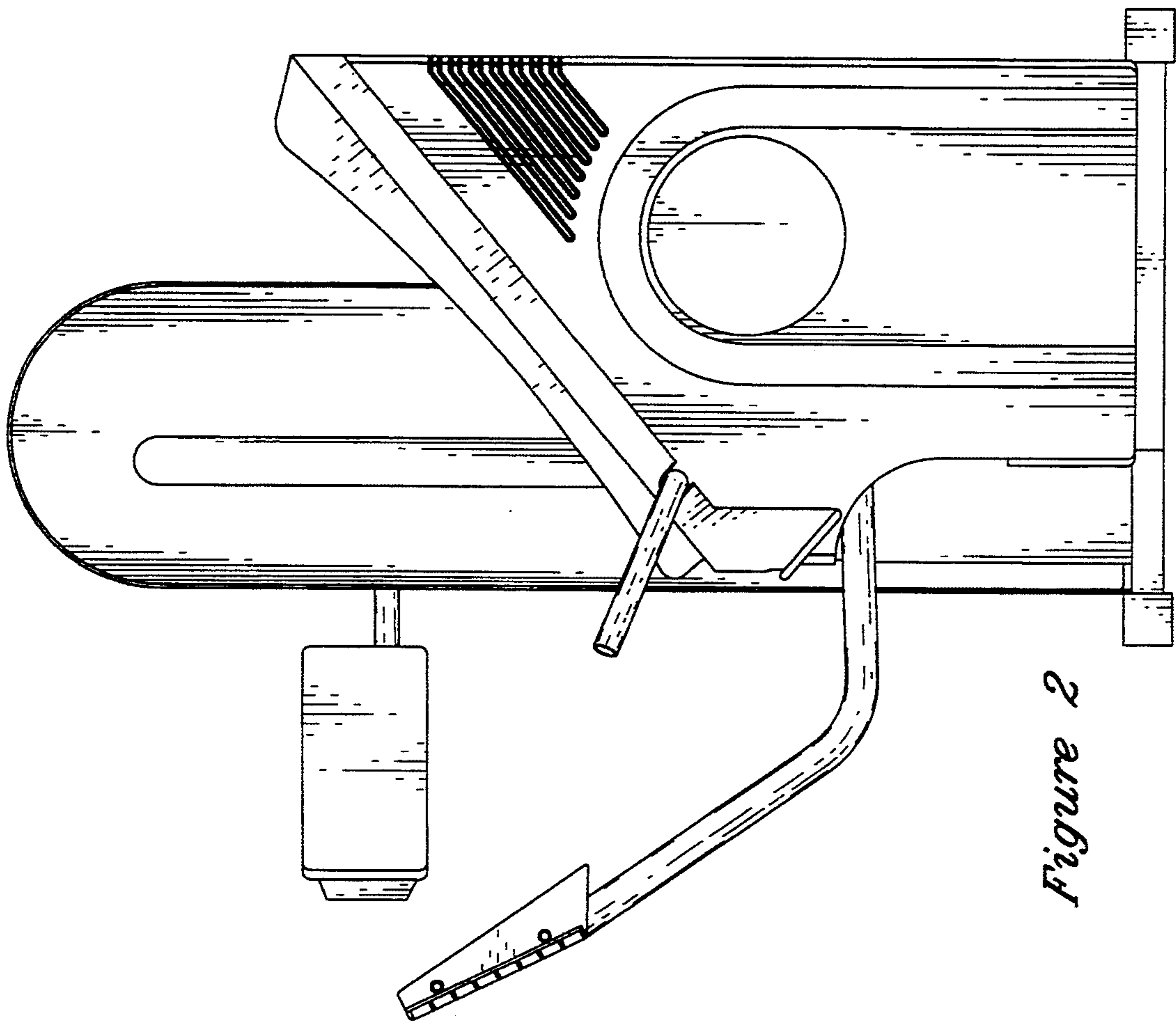


Figure 2

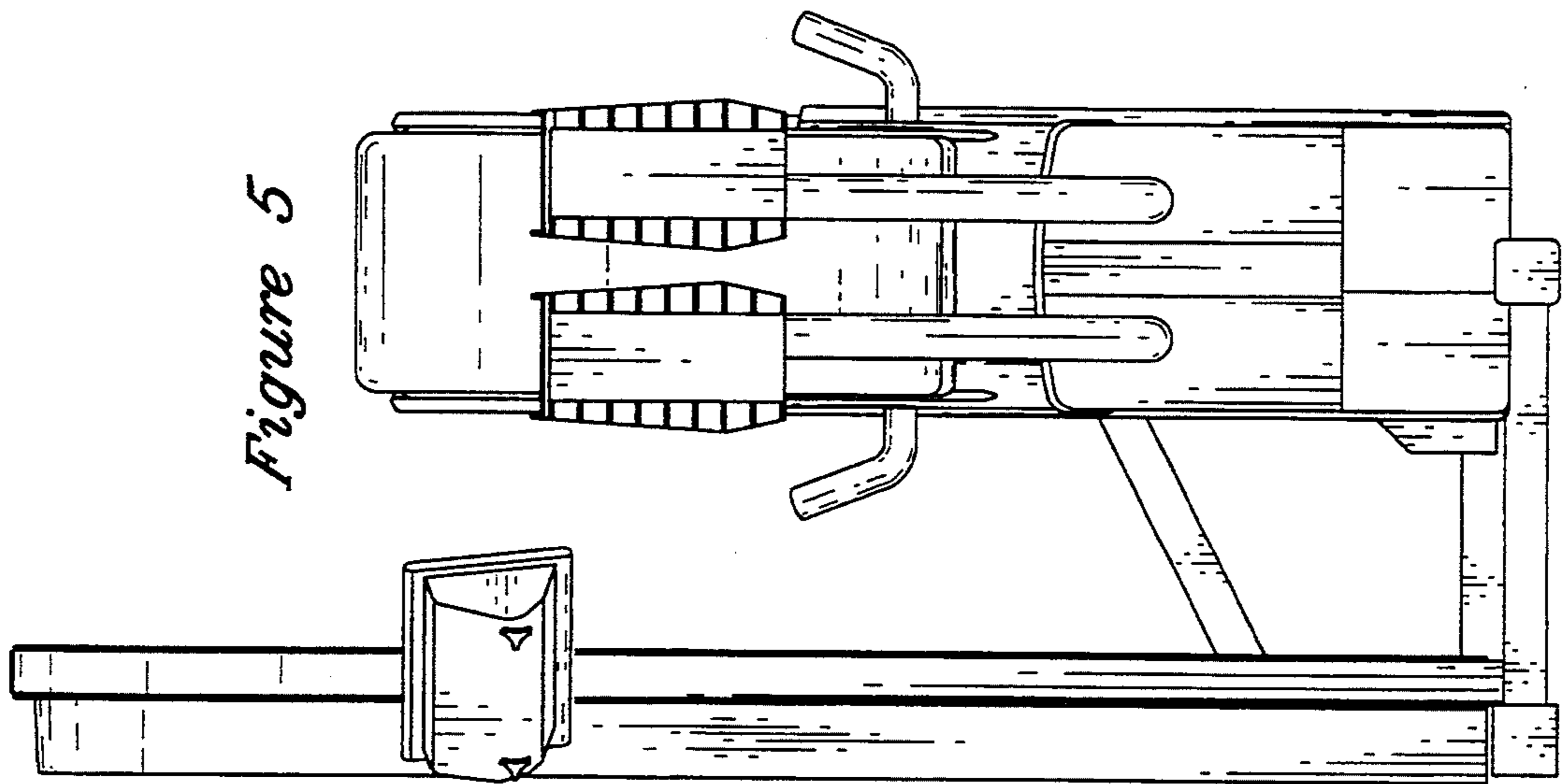


Figure 5

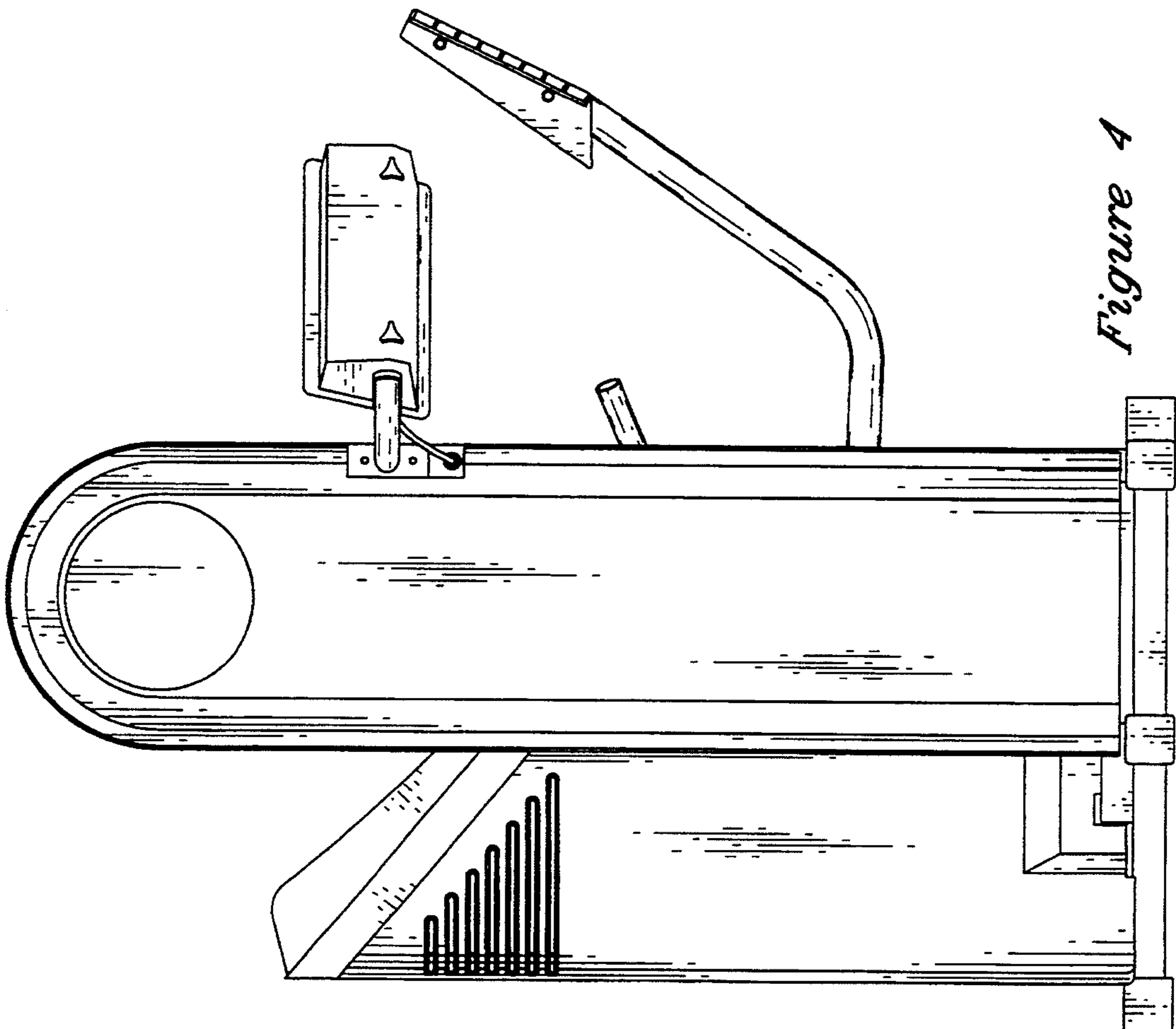


Figure 4

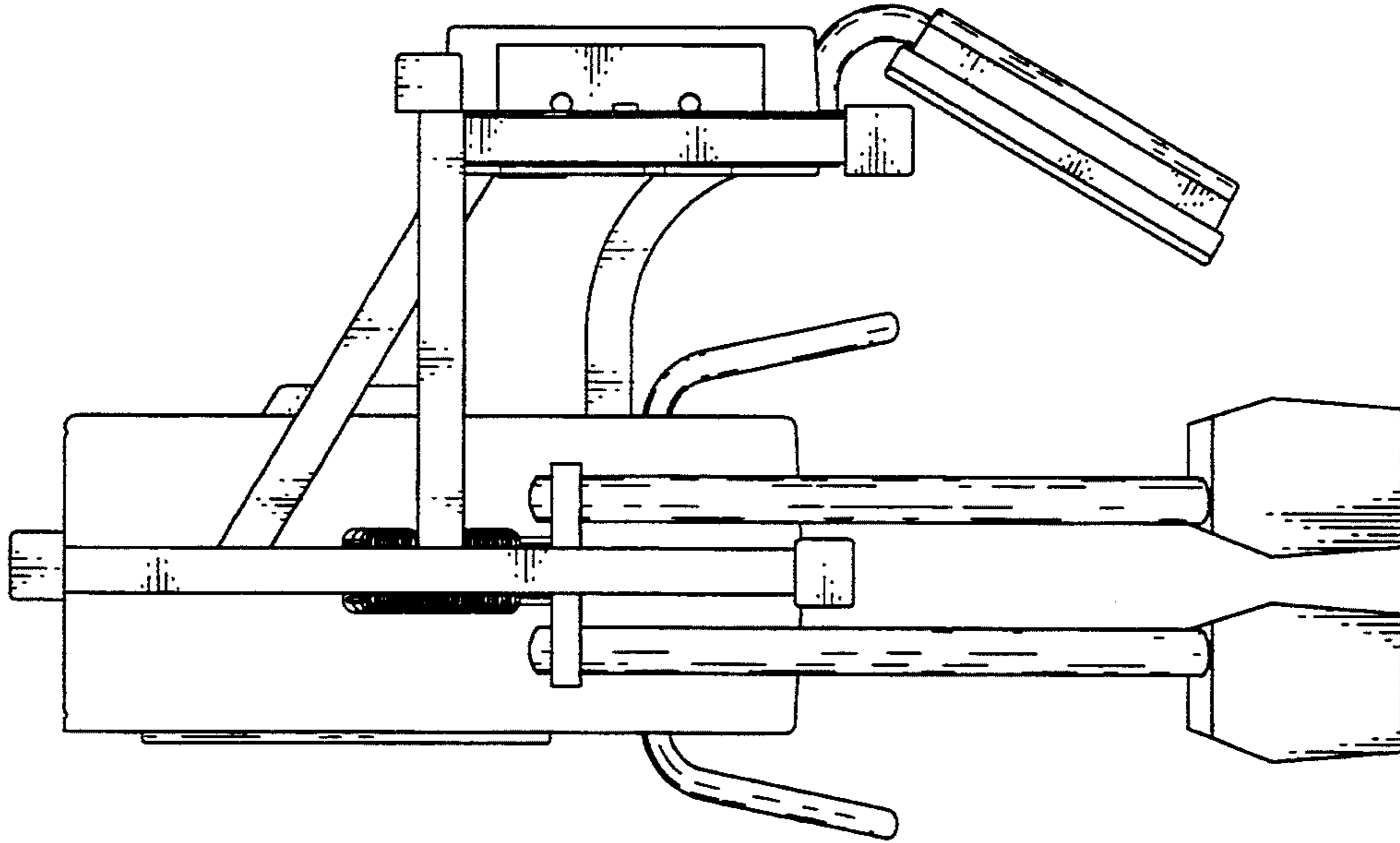


Figure 7

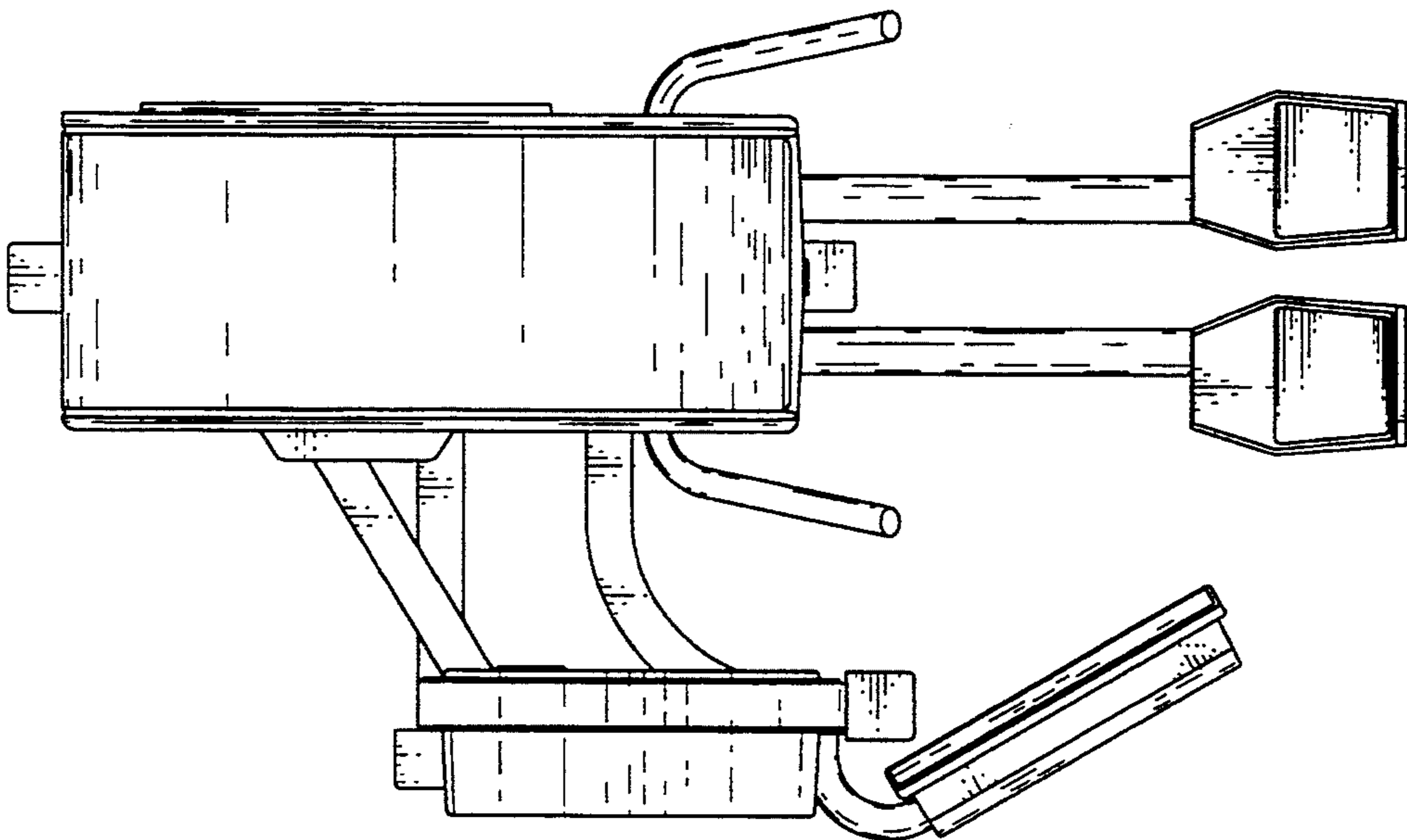


Figure 6