



US00D355672S

United States Patent [19]

Meister, Jr.

[11] Patent Number: **Des. 355,672**

[45] Date of Patent: **** Feb. 21, 1995**

[54] **SHEET FEEDER MODULE**

[75] Inventor: **Herbert E. Meister, Jr.**, Naugatuck, Conn.

[73] Assignee: **Pitney Bowes Inc.**, Stamford, Conn.

[**] Term: **14 Years**

[21] Appl. No.: **12,303**

[22] Filed: **Aug. 27, 1993**

[52] U.S. Cl. **D18/99**

[58] Field of Search **D10/97; D15/145, 147, D15/199; D18/46, 47, 48, 49, 99; D34/29; 209/584, 900; 364/464.01, 464.02, 464.03, 918.52, DIG. 15, 2; 395/600; 177/25.15, 438-440**

[56] **References Cited**

U.S. PATENT DOCUMENTS

D. 243,712 3/1977 Morris et al. **D15/145 X**
D. 309,472 7/1990 Nishida **D18/99**

D. 309,617 7/1990 Bain **D15/199**
4,876,956 10/1989 Riley et al. **364/464.02 X**
4,956,782 9/1990 Freeman et al. **364/464.02 X**
5,122,962 6/1992 Gilham **364/464.02**
5,233,532 8/1993 Ramsden **364/464.02 X**

Primary Examiner—Alan P. Douglas
Assistant Examiner—Antoine D. Davis
Attorney, Agent, or Firm—Charles R. Malandra, Jr.;
Melvin J. Scolnick

[57] **CLAIM**

The ornamental design for a sheet feeder module, as shown and described.

DESCRIPTION

FIG. 1 is a top, front and left side perspective view of a sheet feeder module, showing my new design;
FIG. 2 is a top plan view thereof;
FIG. 3 is a left elevational view thereof;
FIG. 4 is a front side elevational view thereof;
FIG. 5 is a rear side elevational view thereof; and,
FIG. 6 is a right side elevational view thereof.

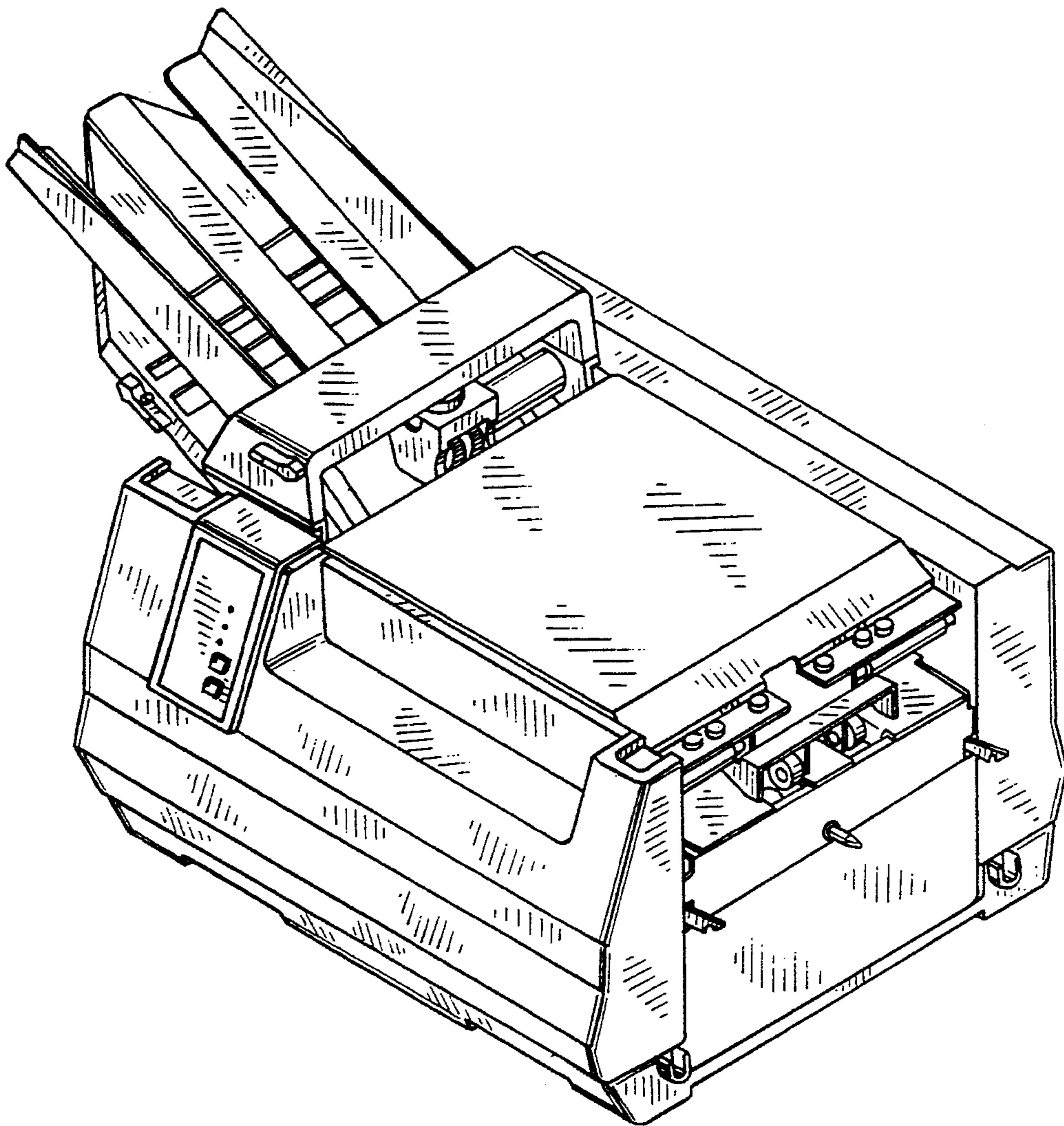
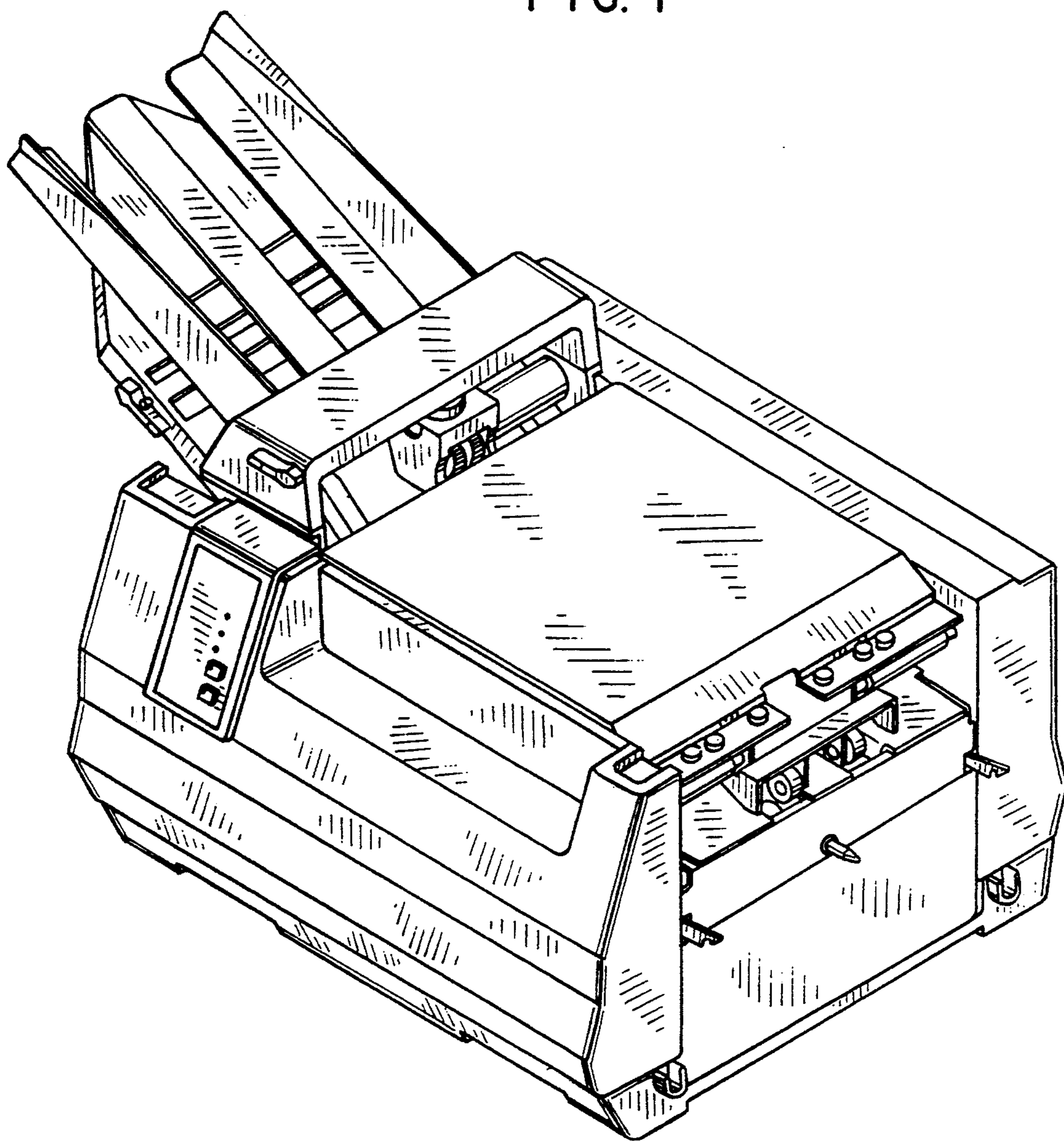


FIG. 1



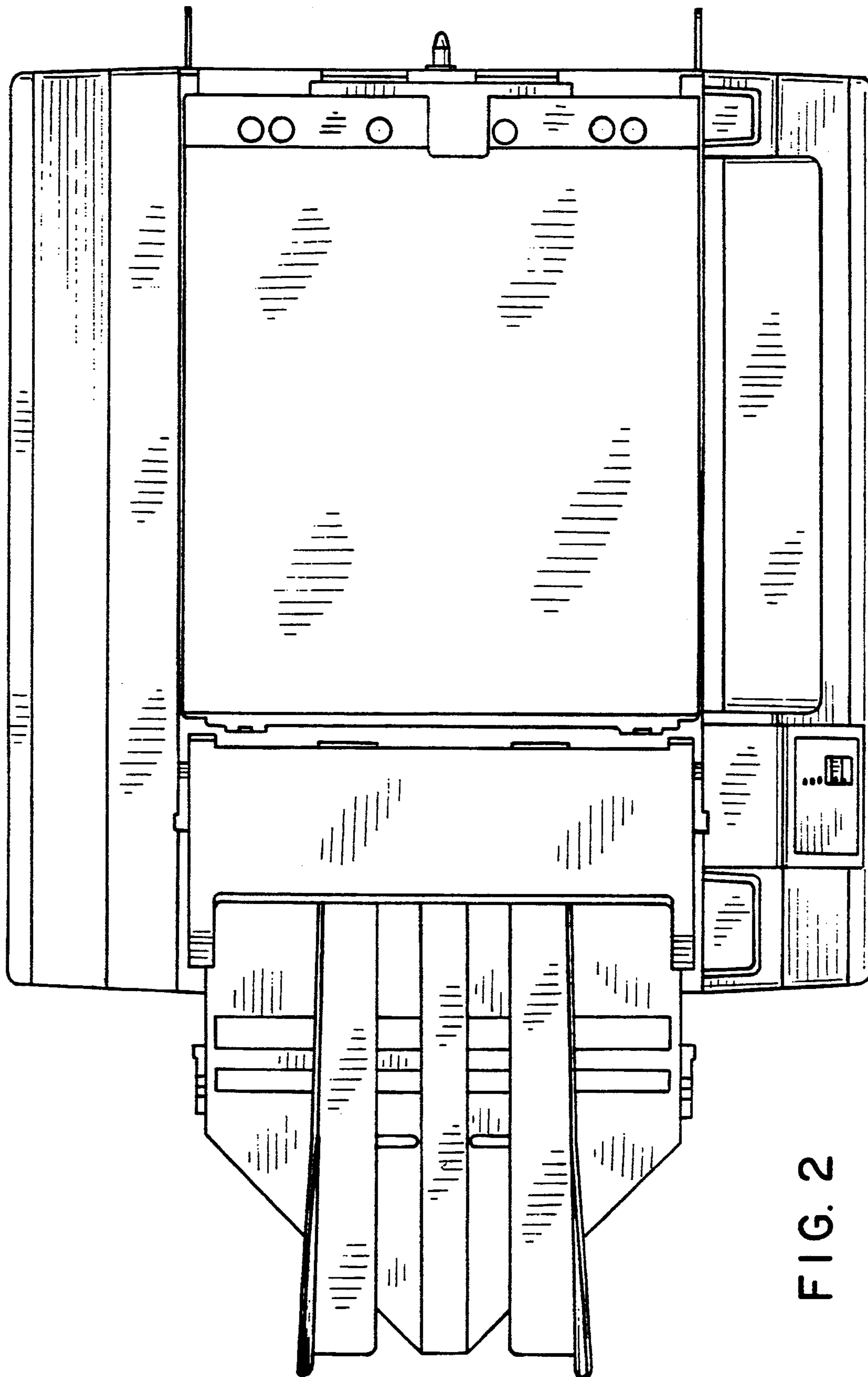


FIG. 2

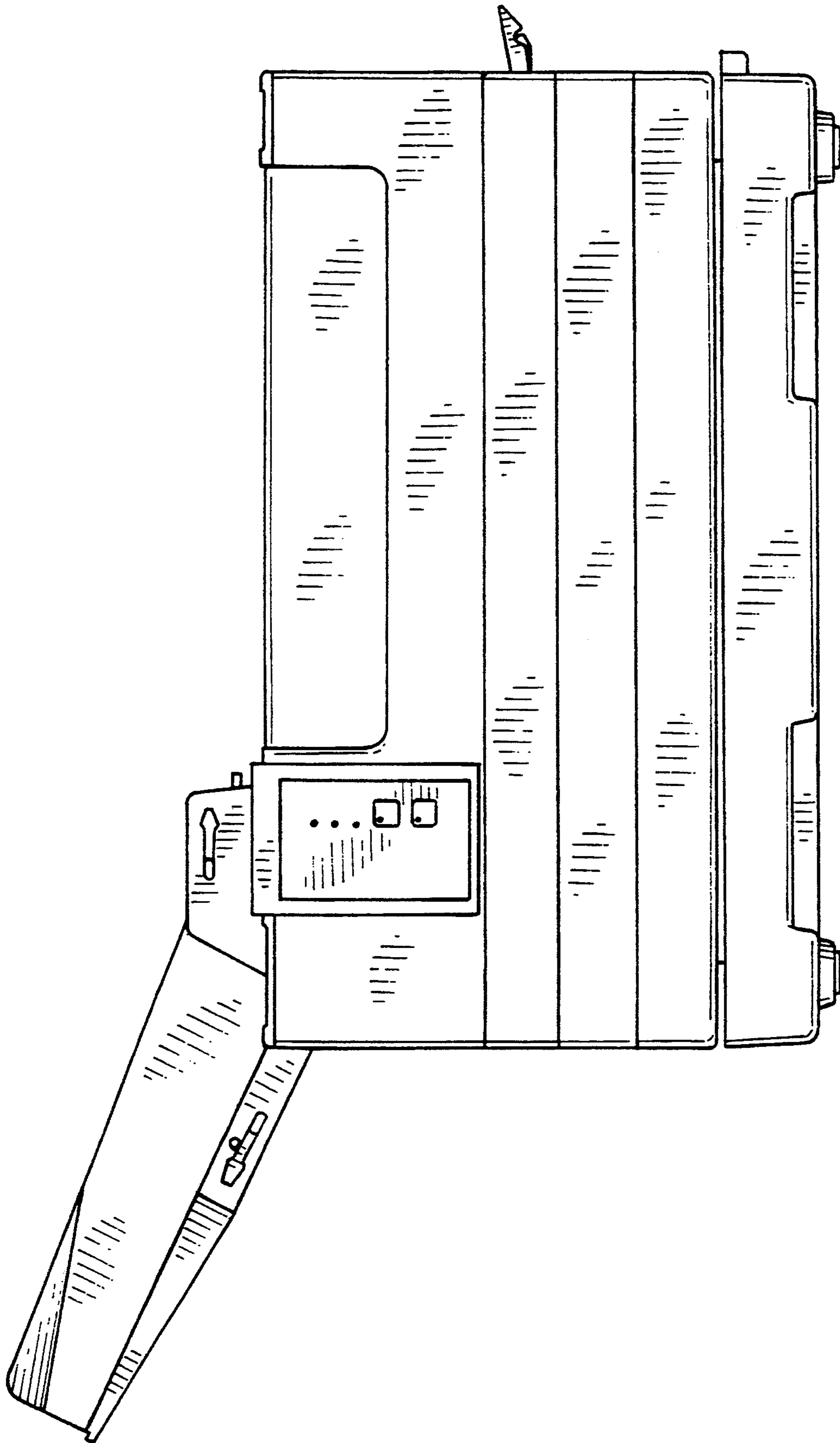


FIG. 3

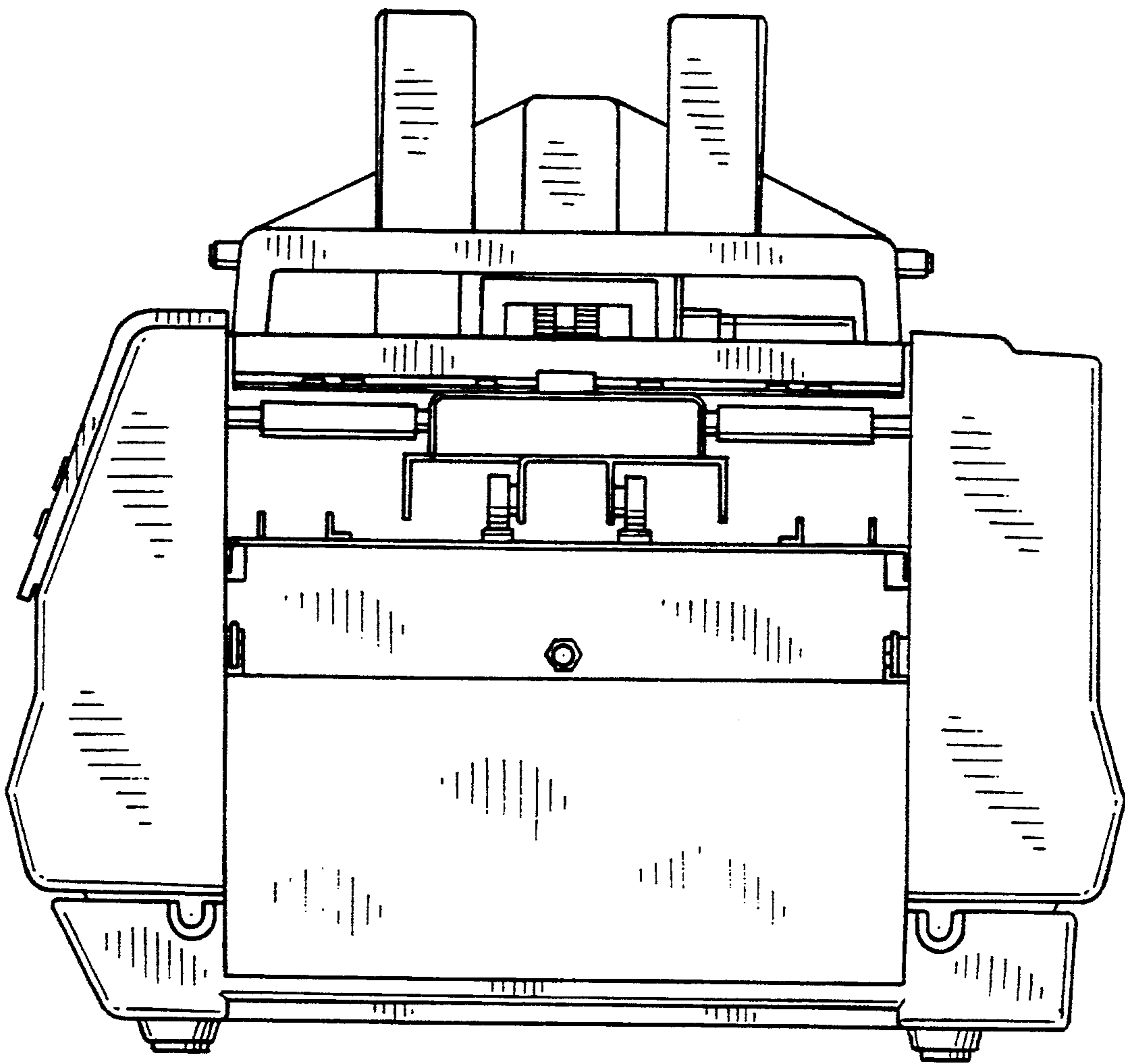


FIG. 4

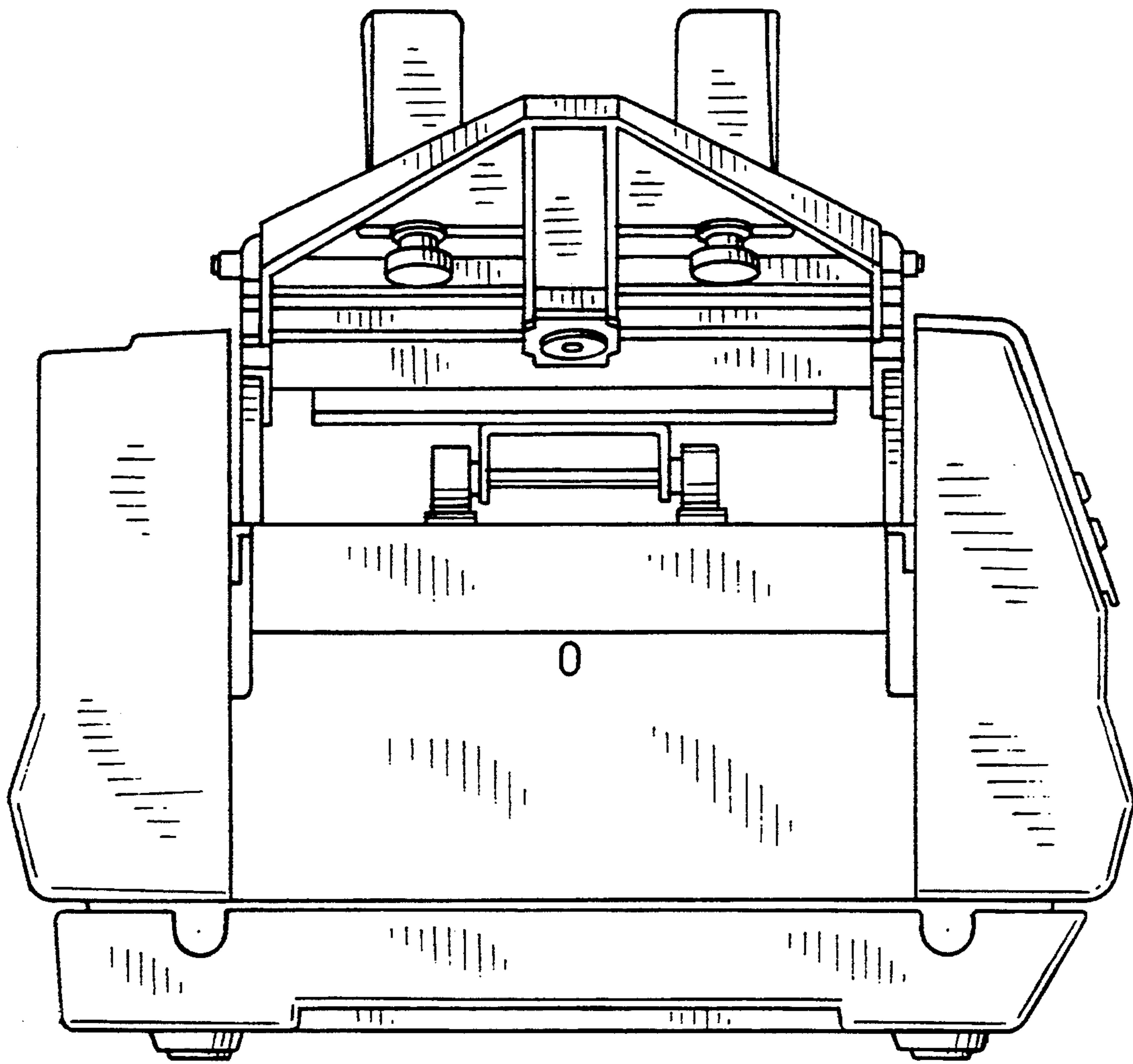


FIG. 5

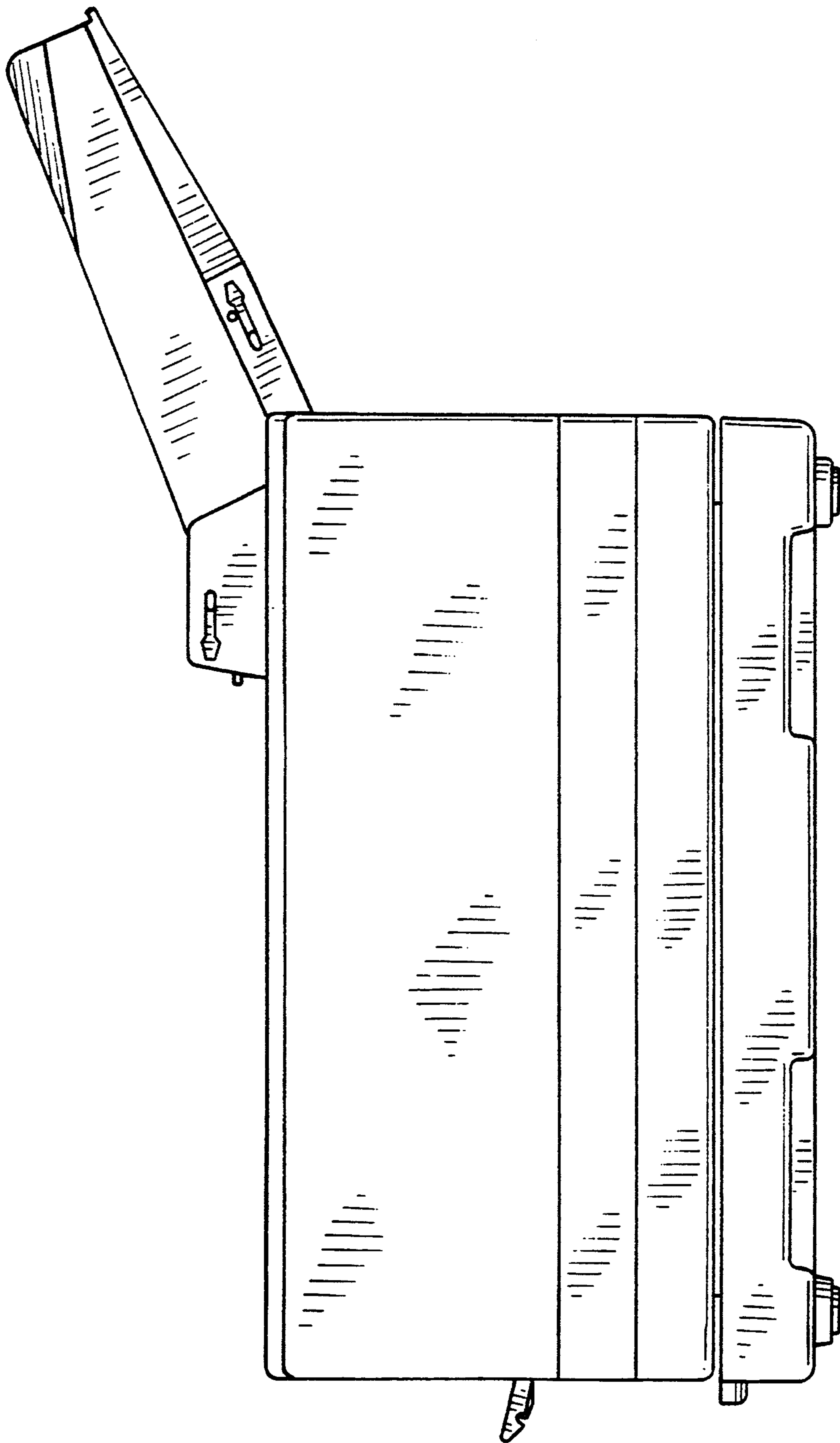


FIG. 6