



US00D355671S

United States Patent [19]

[11] Patent Number: **Des. 355,671**

Onumata

[45] Date of Patent: **** Feb. 21, 1995**

[54] **TAPE CARTRIDGE FOR ELECTRONIC LABEL PRINTER**

D. 304,597 11/1989 Sakurai D18/12
D. 344,755 3/1994 Yamazaki D18/12 X

[75] Inventor: **Yuichi Onumata**, Hachioji, Japan

Primary Examiner—Alan P. Douglas

Assistant Examiner—Caron D. Veynar

[73] Assignee: **Casio Computer Co., Ltd.**, Tokyo, Japan

Attorney, Agent, or Firm—Frishauf, Holtz, Goodman & Woodward

[**] Term: **14 Years**

[57] **CLAIM**

[21] Appl. No.: **912,833**

The ornamental design for a tape cartridge for electronic label printer, as shown and described.

[22] Filed: **Jul. 13, 1992**

DESCRIPTION

[52] U.S. Cl. **D18/56; D18/12**

[58] Field of Search **D18/12, 56, 99; D14/120, 121; 400/194, 195, 196, 196.1, 207, 208**

FIG. 1 is a front elevation view of a tape cartridge for electronic label printer showing my new design;

FIG. 2 is a right side elevation view thereof;

FIG. 3 is a left side elevation view thereof;

FIG. 4 is a top plan view thereof;

FIG. 5 is a bottom plan view thereof;

FIG. 6 is a rear elevation view thereof; and,

FIG. 7 is a perspective view thereof.

[56] **References Cited**

U.S. PATENT DOCUMENTS

D. 302,829 8/1989 Nezu et al. D18/12

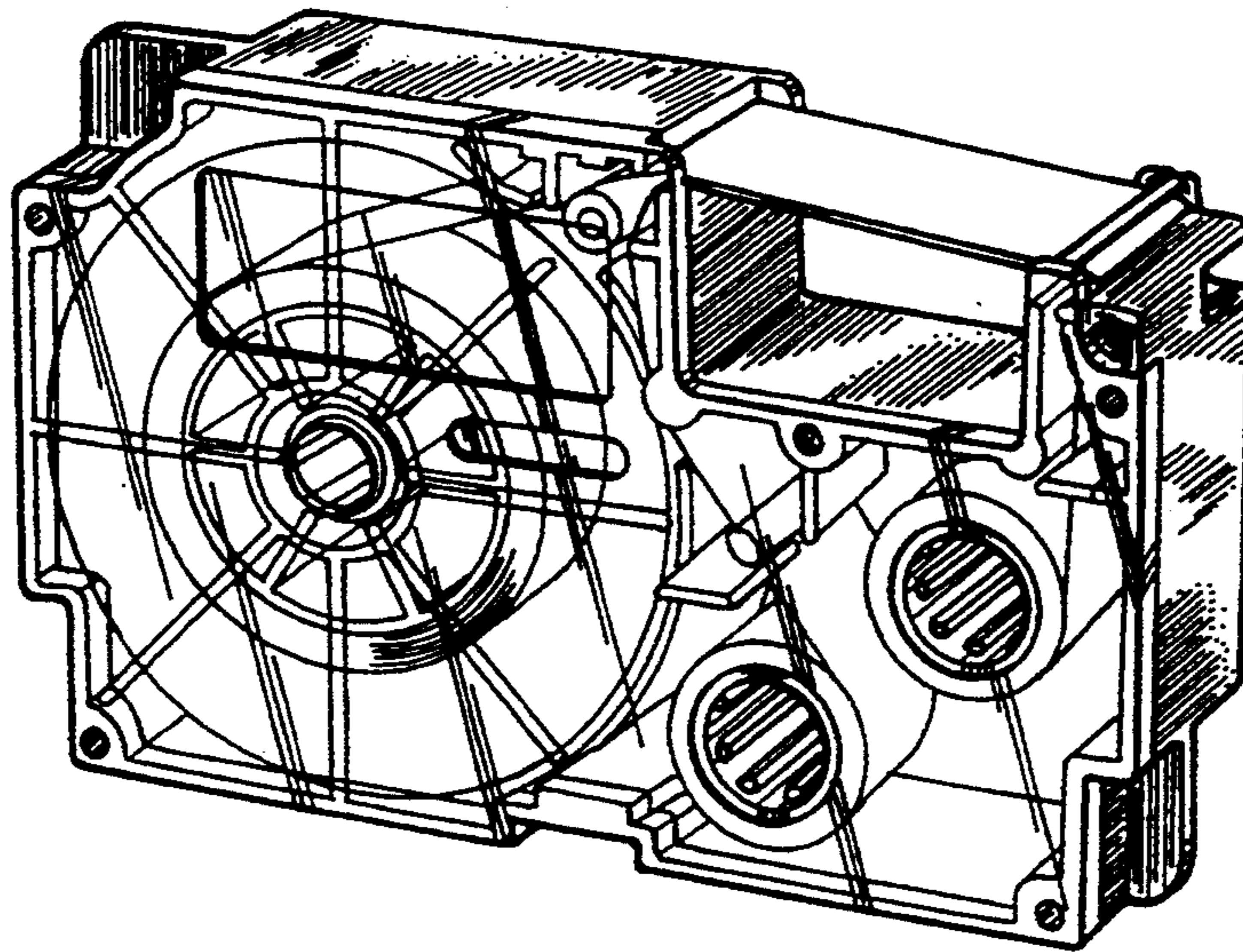


FIG.4

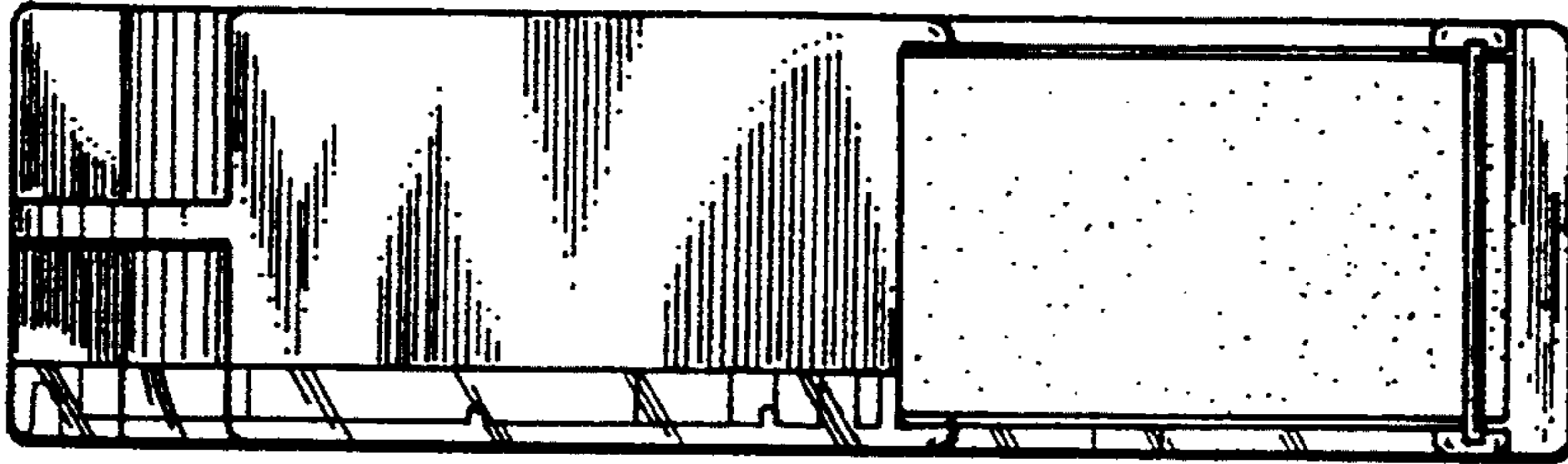


FIG.1

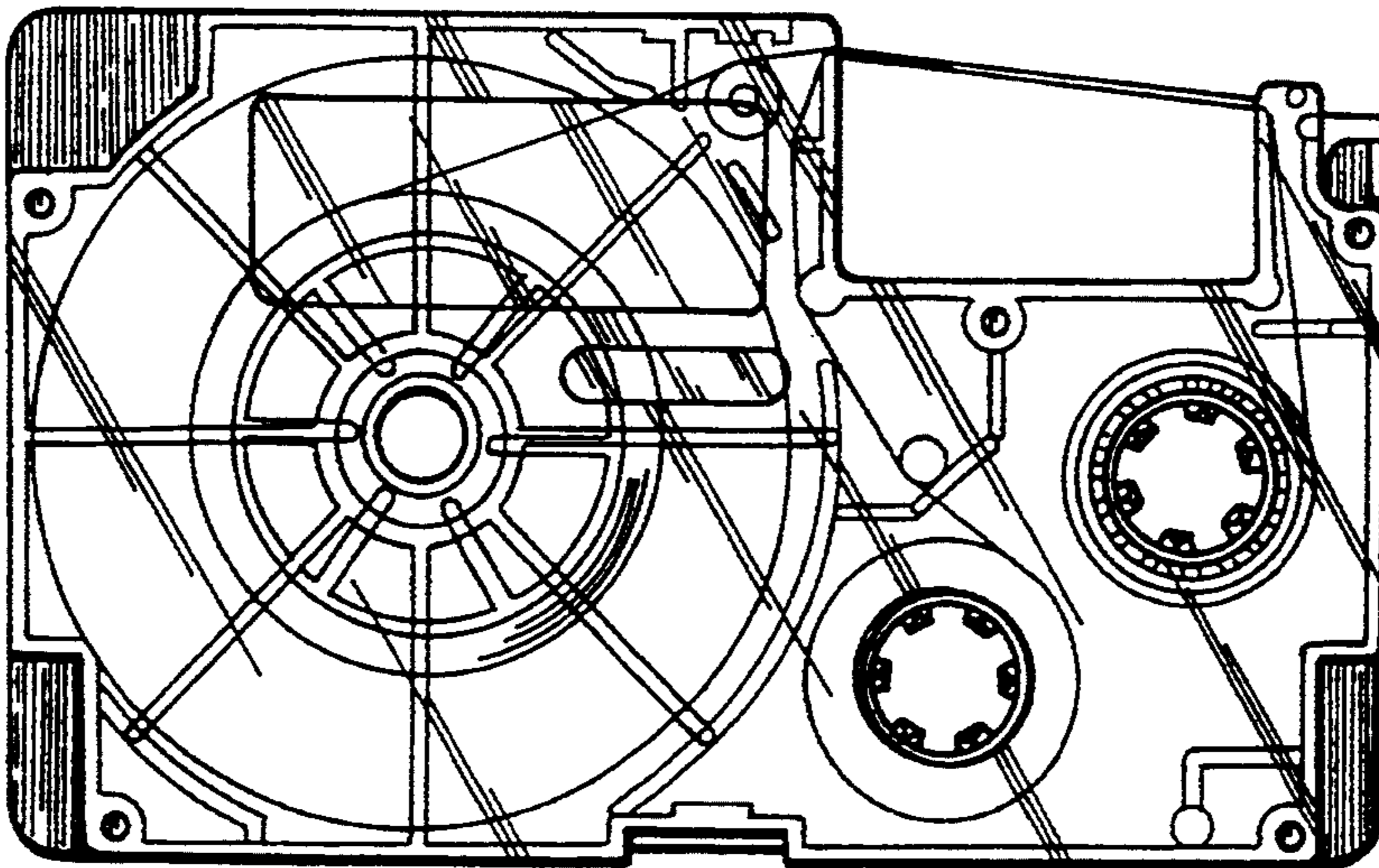


FIG.5

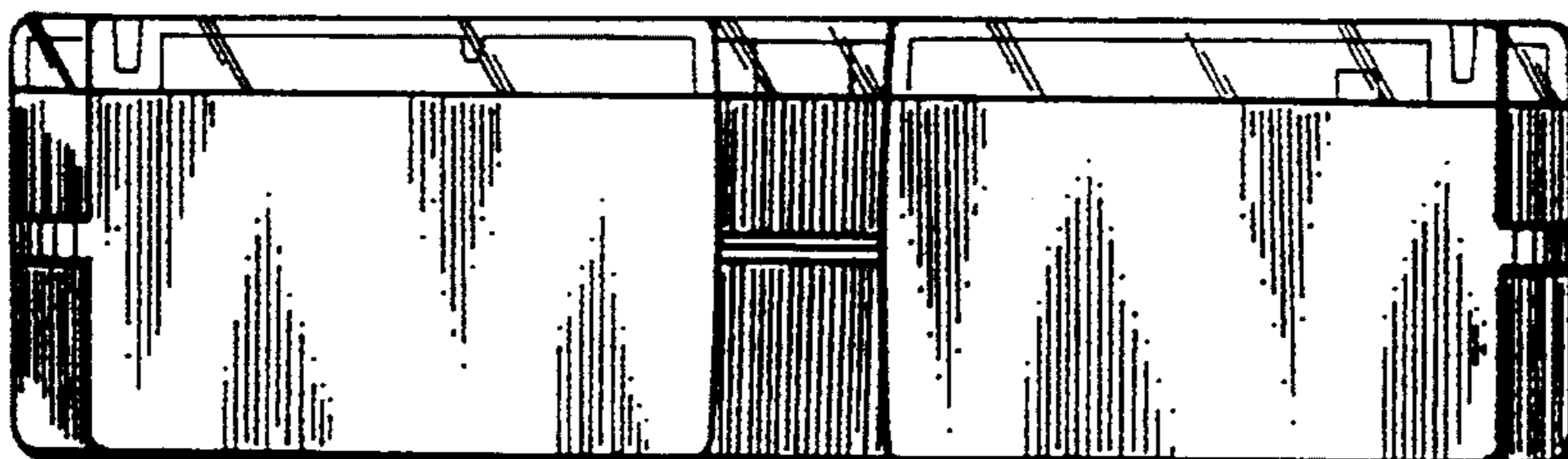


FIG.3



FIG.2

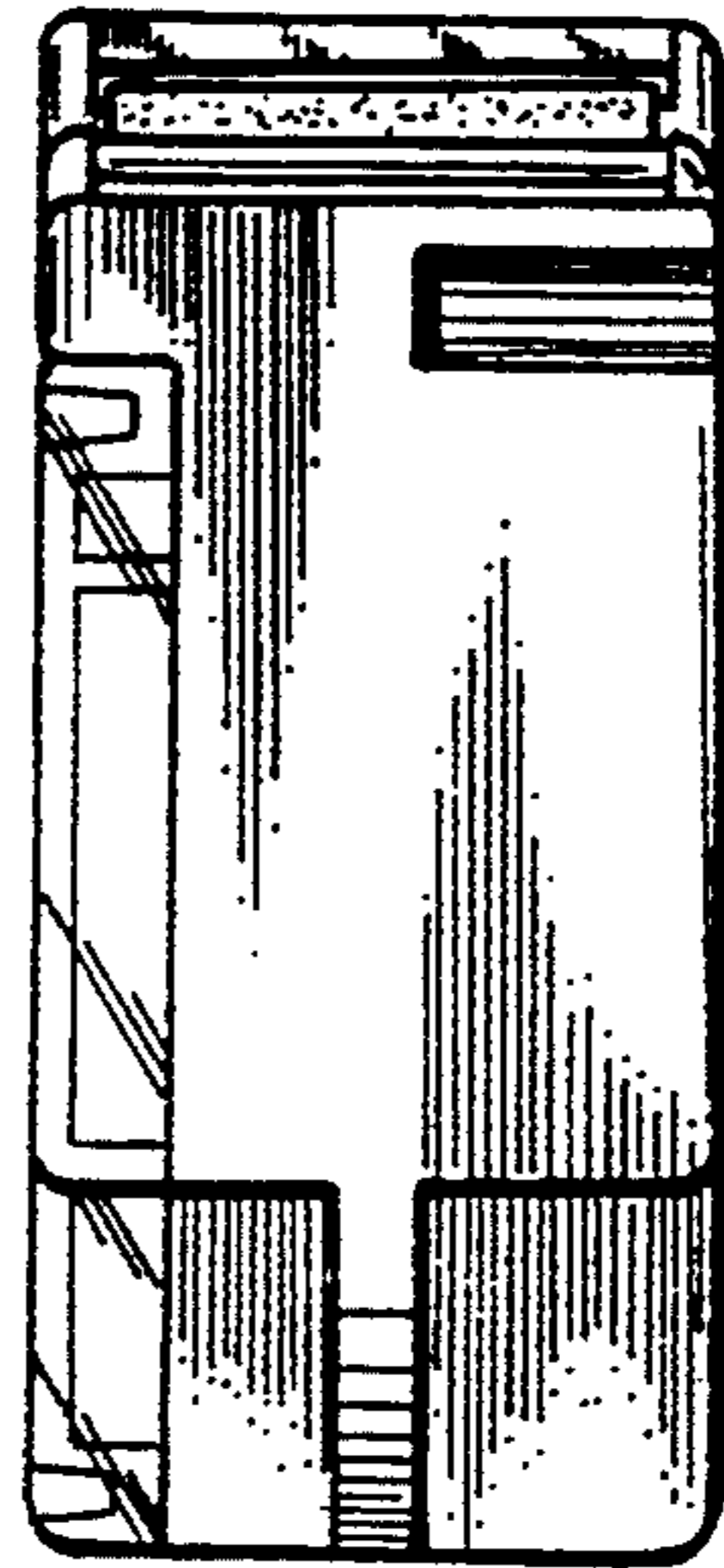


FIG.6

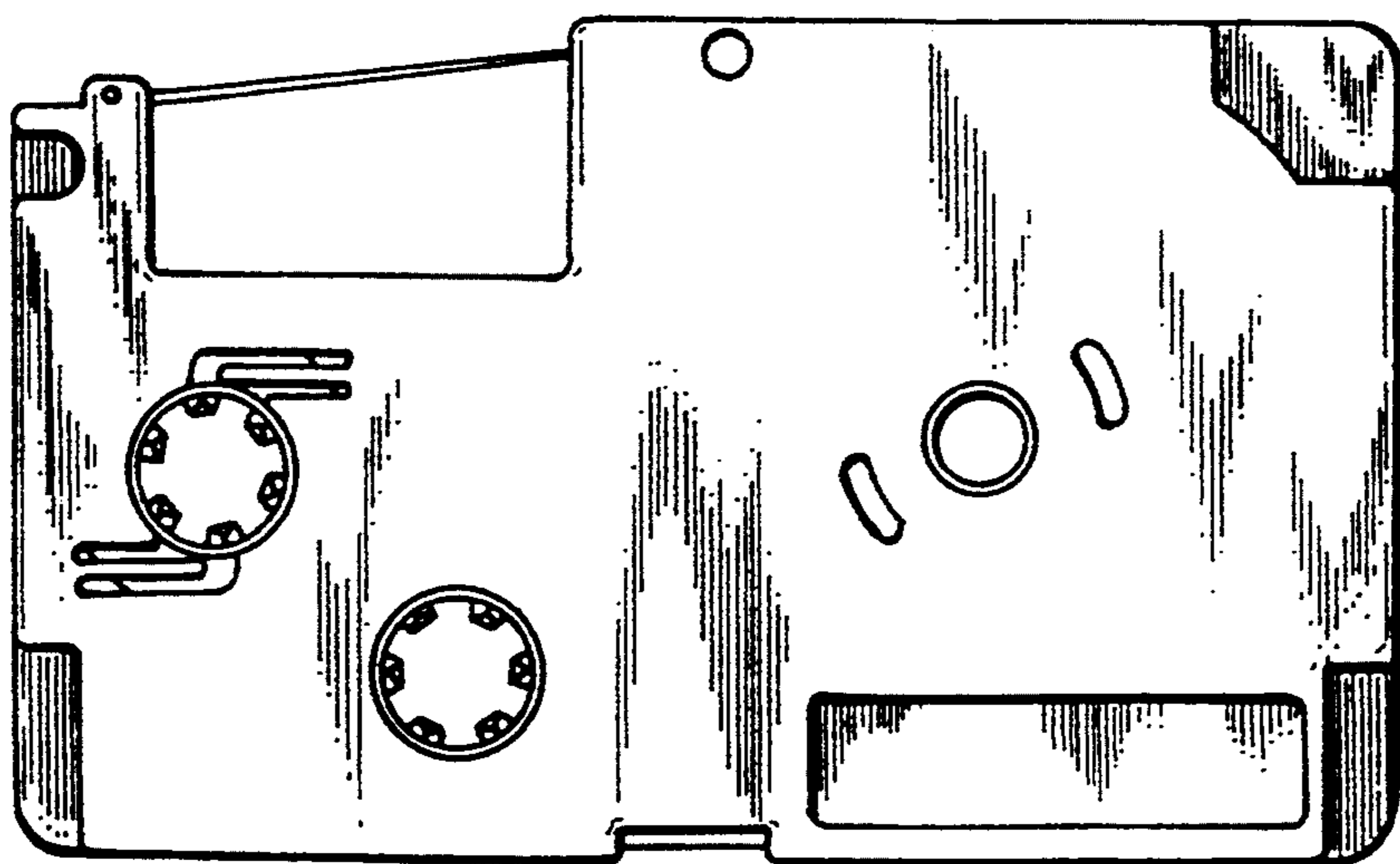


FIG.7

