



US00D355668S

# United States Patent [19]

[11] Patent Number: **Des. 355,668**

**Reagan**

[45] Date of Patent: **\*\* Feb. 21, 1995**

[54] **CAPO FOR THE FIVE STRING BANJO**

[76] Inventor: **Gomer M. Reagan, 404 N. Mariposa, Burbank, Calif. 91506**

[\*\*] Term: **14 Years**

[21] Appl. No.: **13,800**

[22] Filed: **Oct. 4, 1993**

[52] U.S. Cl. .... **D17/21**

[58] Field of Search ..... **D17/14, 20, 21; 84/318**

[56] **References Cited**

**U.S. PATENT DOCUMENTS**

D. 257,988	1/1981	Nakamoto	.....	D17/21
416,057	1/1889	Gill et al.	.....	84/318
3,834,267	9/1974	Shubb et al.	.....	84/318
3,903,776	9/1975	Owen, III	.....	84/318
4,793,324	12/1988	Geis	.....	84/318

**FOREIGN PATENT DOCUMENTS**

2226090 11/1974 France ..... 84/318

*Primary Examiner*—Prabhakar G. Deshmukh

*Assistant Examiner*—Adir Aronovich

[57] **CLAIM**

The ornamental design for a capo for the five string banjo, as shown.

**DESCRIPTION**

FIG. 1 is a top view of a capo for the five string banjo showing my new design; FIG. 2 is a front elevation view; FIG. 3 is a left side elevation view; FIG. 4 is a right side elevation view; FIG. 5 is a bottom plan view; and, FIG. 6 is a front, top, and left side perspective view.

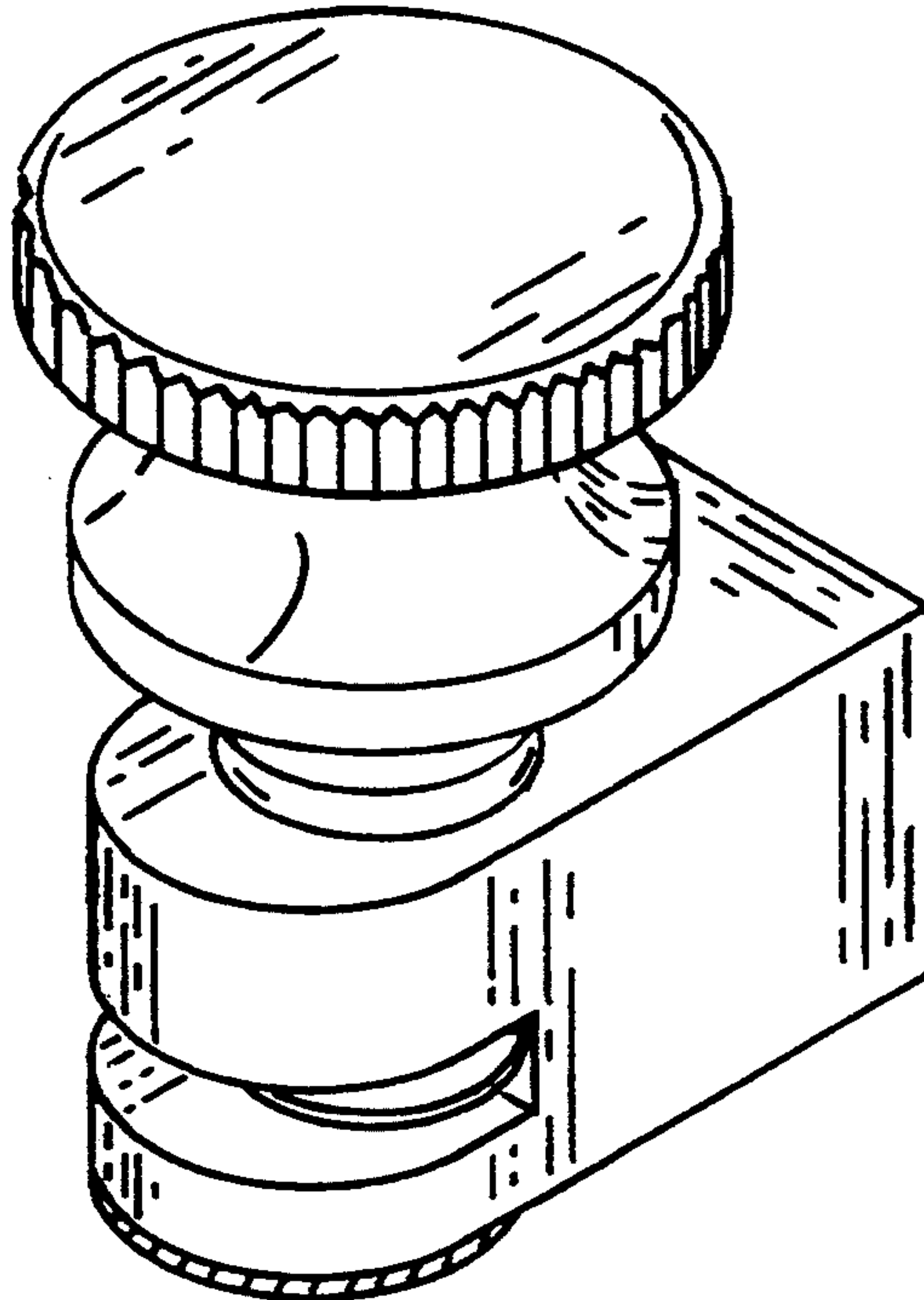


FIG. 6

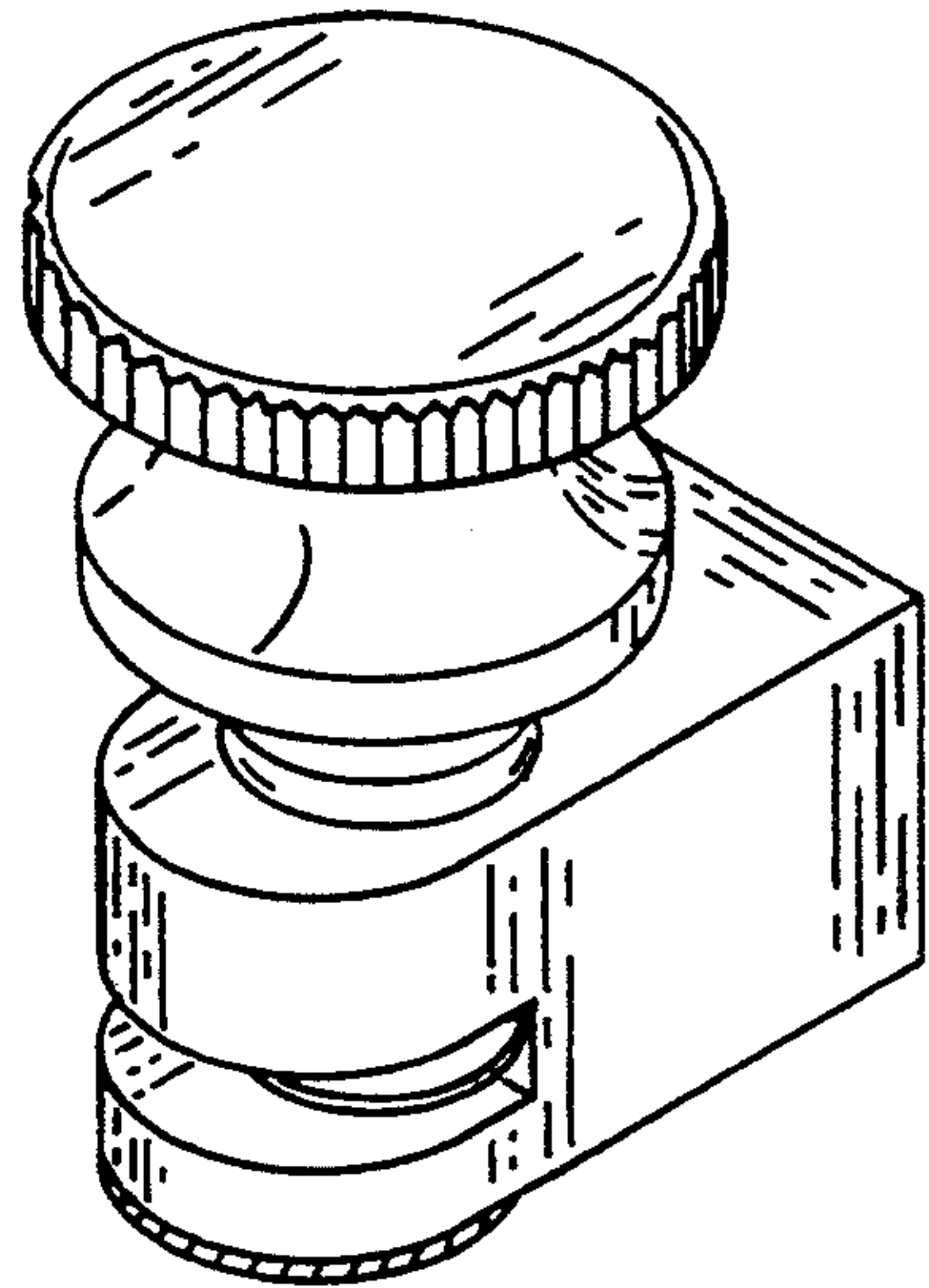


FIG. 1

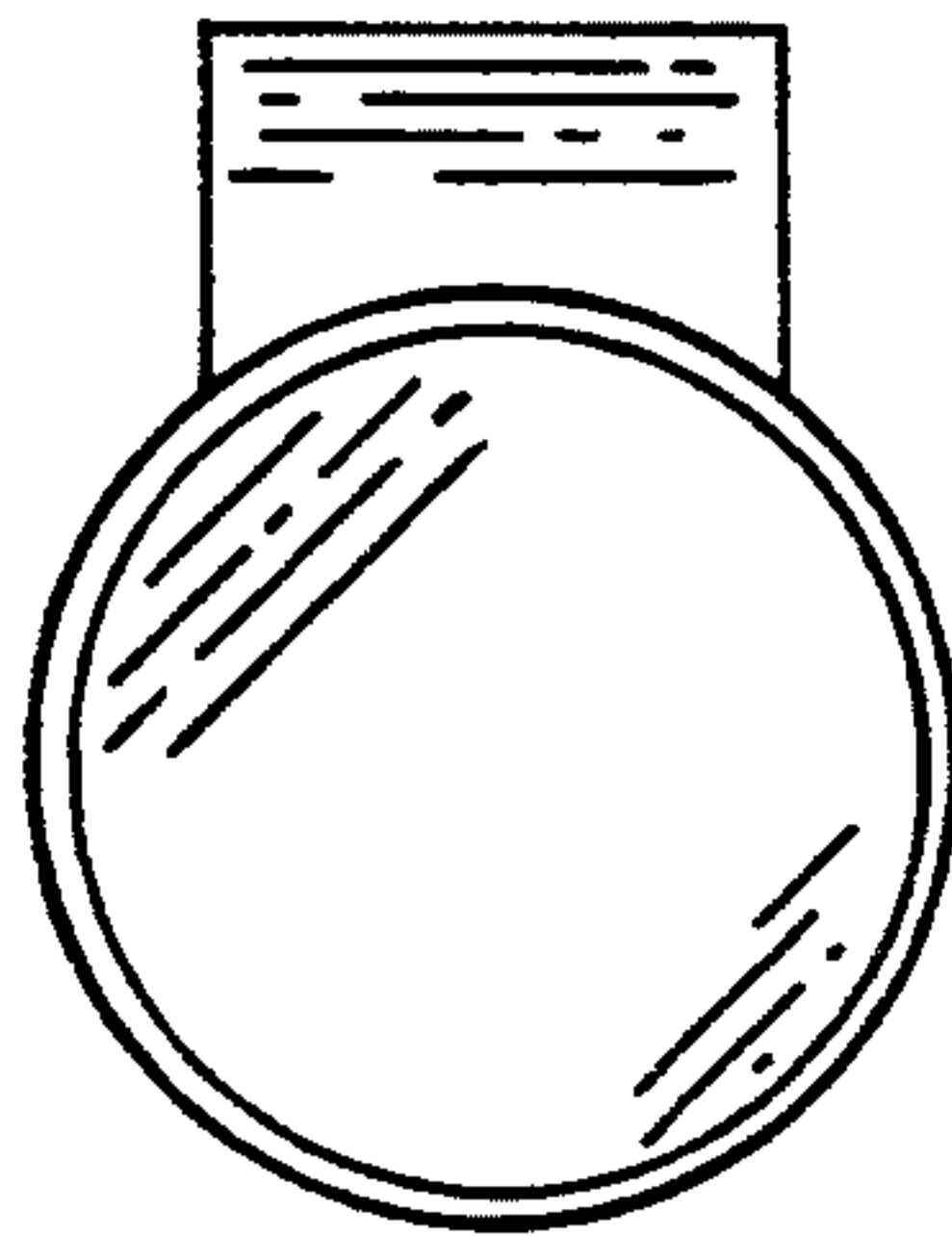


FIG. 3

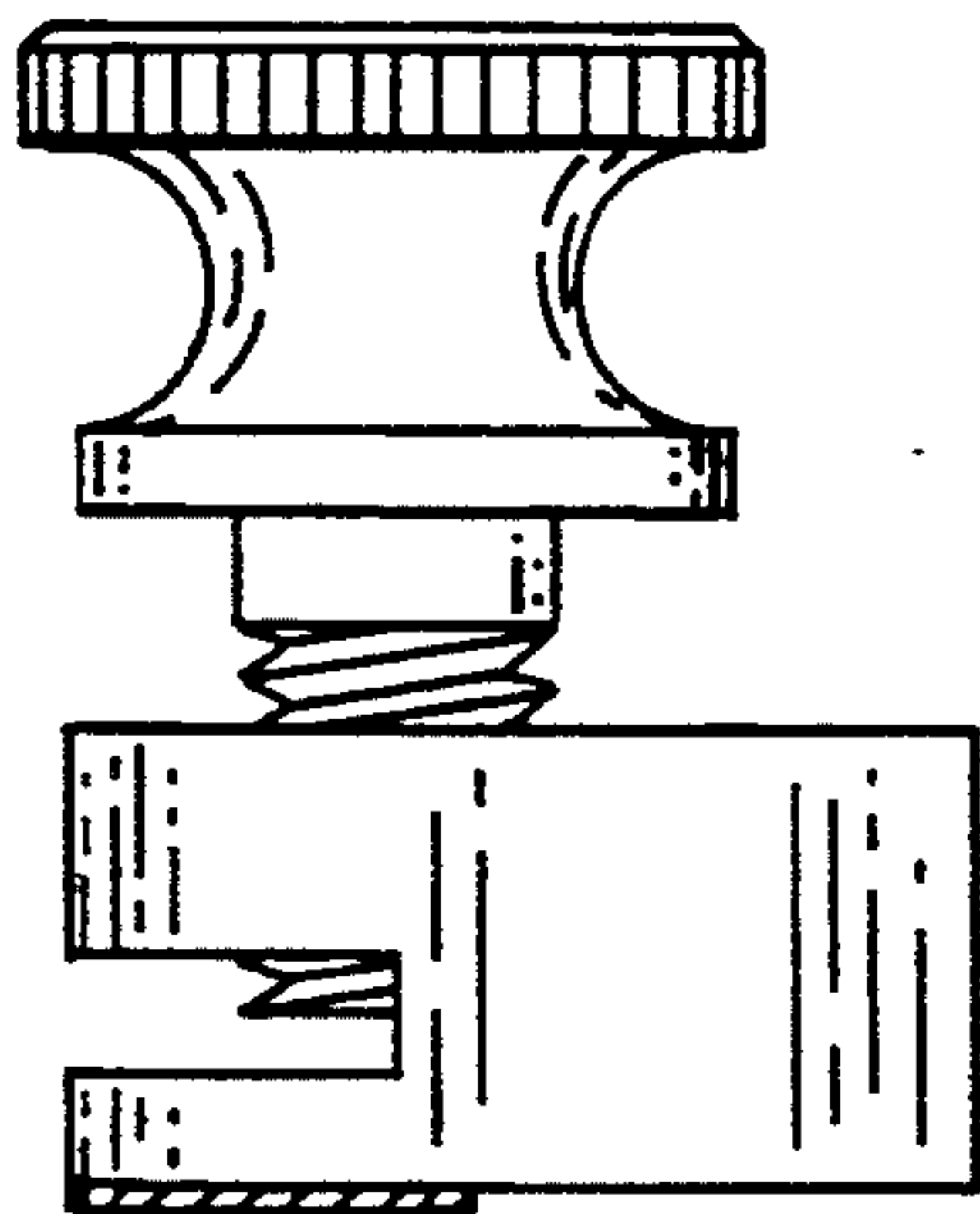


FIG. 2

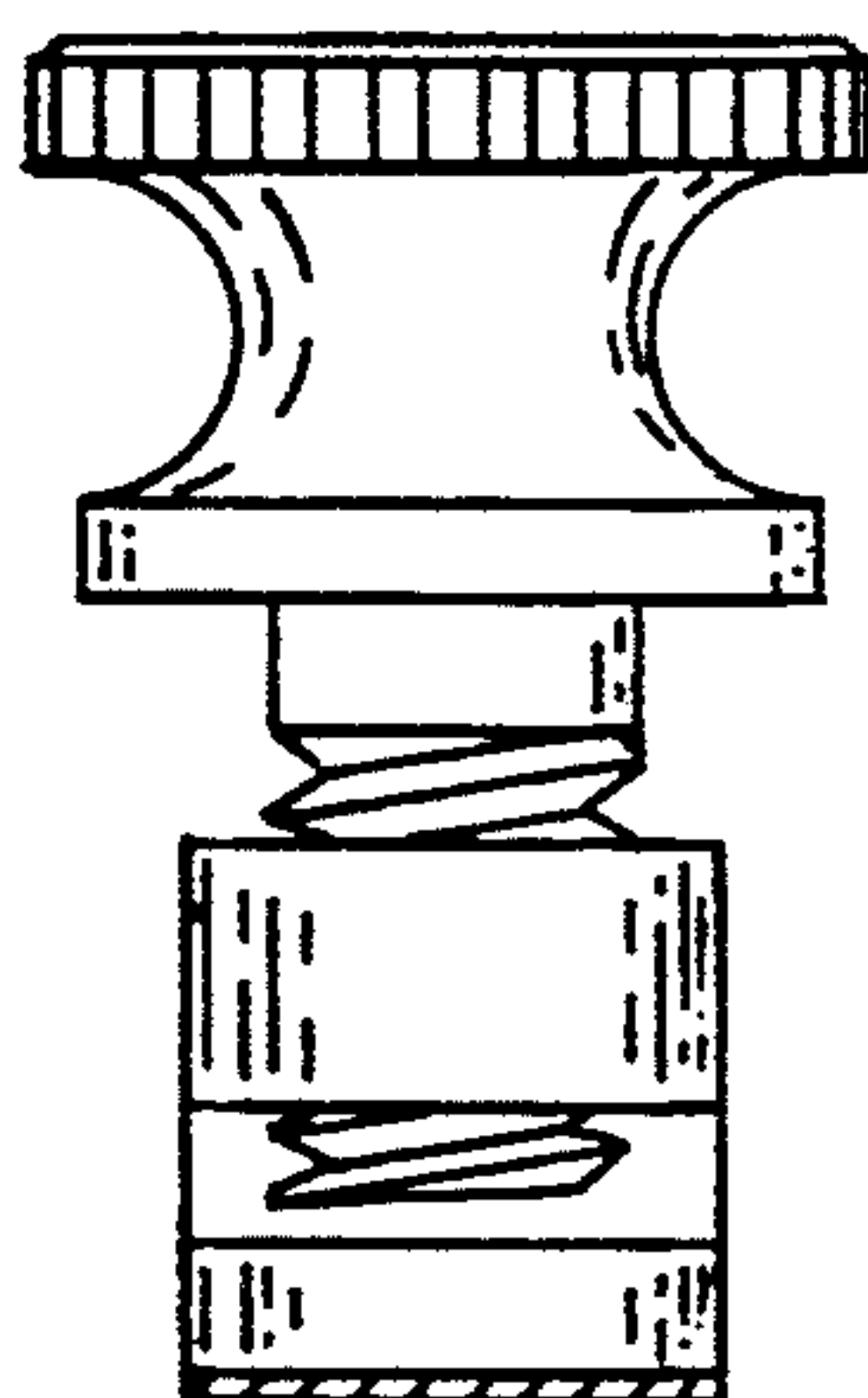


FIG. 4

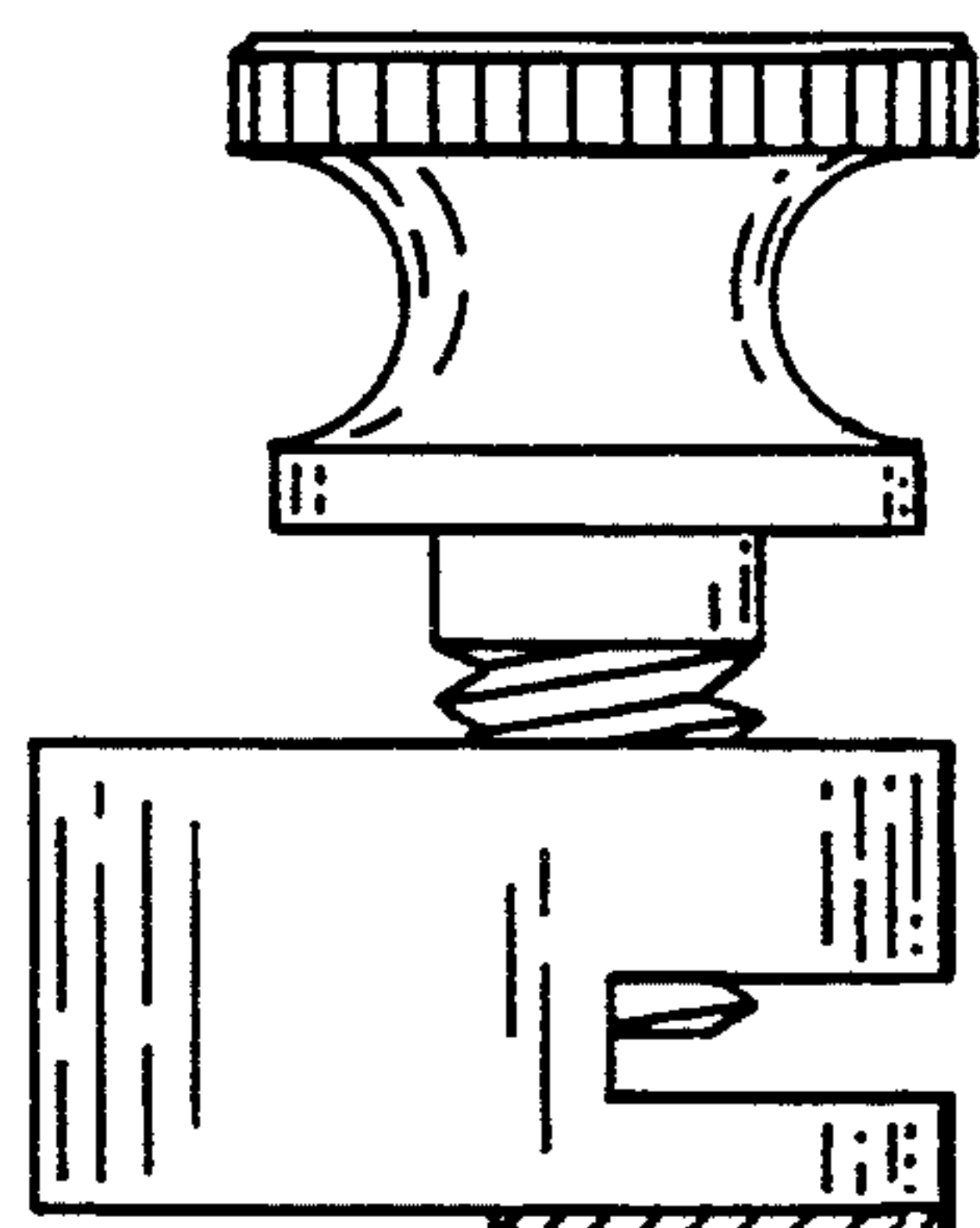


FIG. 5

