



US00D355664S

United States Patent [19]
Kataoka

[11] **Patent Number: Des. 355,664**
[45] **Date of Patent: ** Feb. 21, 1995**

[54] **VIDEO CAMERA WITH RECORDER**

[75] **Inventor: Tetsu Kataoka, Tokyo, Japan**
[73] **Assignee: Sony IP Corporation, Tokyo, Japan**
[**] **Term: 14 Years**
[21] **Appl. No.: 16,694**
[22] **Filed: Dec. 22, 1993**

[30] **Foreign Application Priority Data**

Jul. 28, 1993 [JP] Japan 5-23162
[52] **U.S. Cl. D16/202**
[58] **Field of Search D16/200-206;**
352/34, 242, 243; 354/64, 65, 82, 288;
348/373-376; 358/906

[56] **References Cited**

U.S. PATENT DOCUMENTS

D. 332,958 2/1993 Urushihara et al. D16/202
D. 340,802 11/1993 Sekine D16/205
D. 341,616 11/1993 Takita et al. D16/202
D. 346,614 5/1994 Sumita D16/202
5,305,030 4/1994 Yokoyama et al. 354/64

OTHER PUBLICATIONS

Video Review, Aug. 1989 p. 30 (Sony's CCD-TR5 Handycam).
Video Magazine, Jan. 1993 p. 28 (Yashica's KX-V1U Hi8 Camcorder).

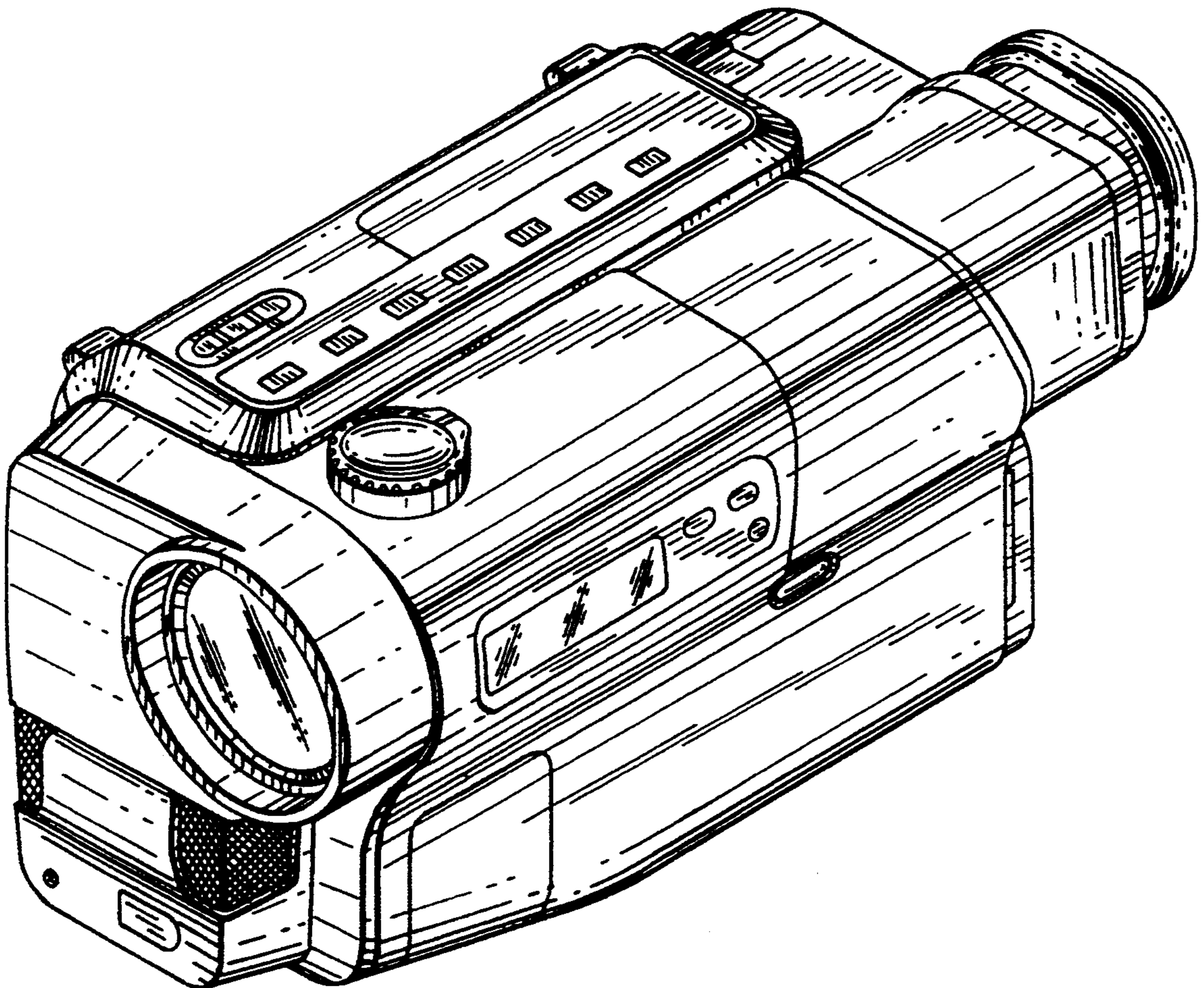
Primary Examiner—Prabhakar G. Deshmukh
Assistant Examiner—Adir Aronovich
Attorney, Agent, or Firm—Jay H. Maioli

[57] **CLAIM**

The ornamental design for a video camera with recorder, as shown and described.

DESCRIPTION

FIG. 1 is a top, front and right-side perspective view of a video camera with recorder, showing my new design; FIG. 2 is a top, front and left-side perspective view thereof, shown in the opened position; FIG. 3 is a reduced front elevational view thereof; FIG. 4 is a rear elevational view thereof; FIG. 5 is a left-side elevational view thereof; FIG. 6 is a right-side elevational view thereof; FIG. 7 is a top plan view thereof; and, FIG. 8 is a bottom plan view thereof.



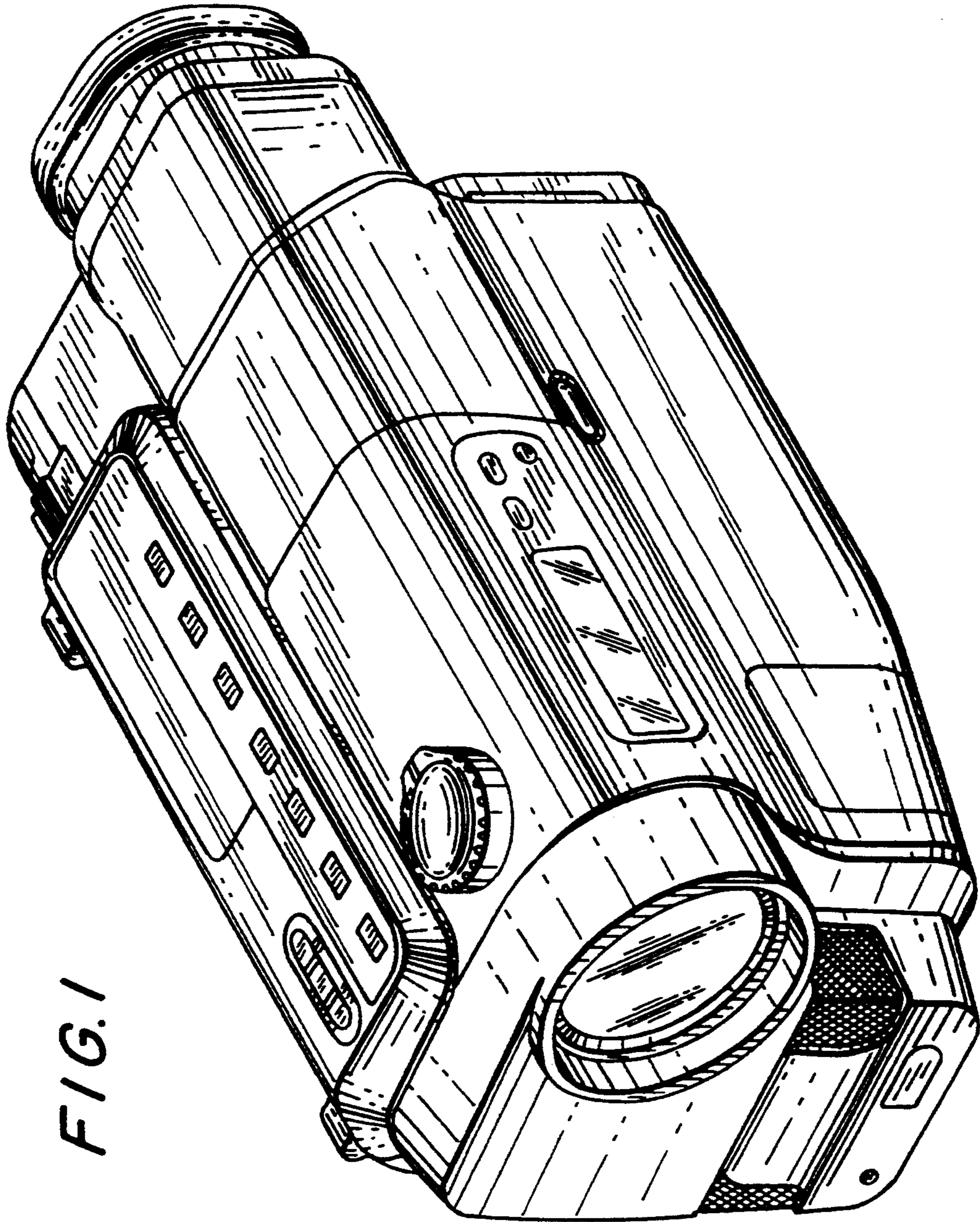


FIG. 1

FIG. 2

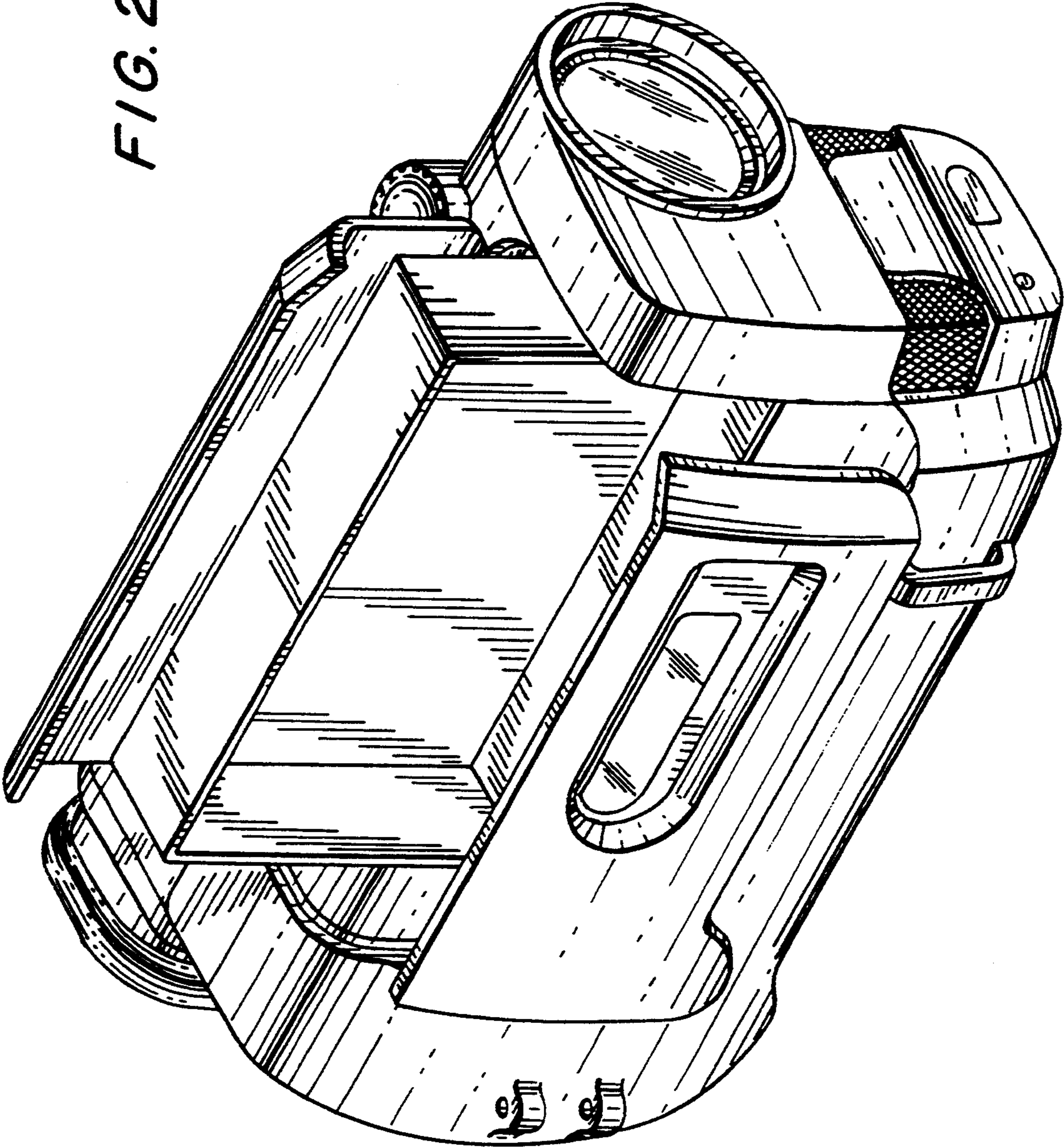


FIG. 3

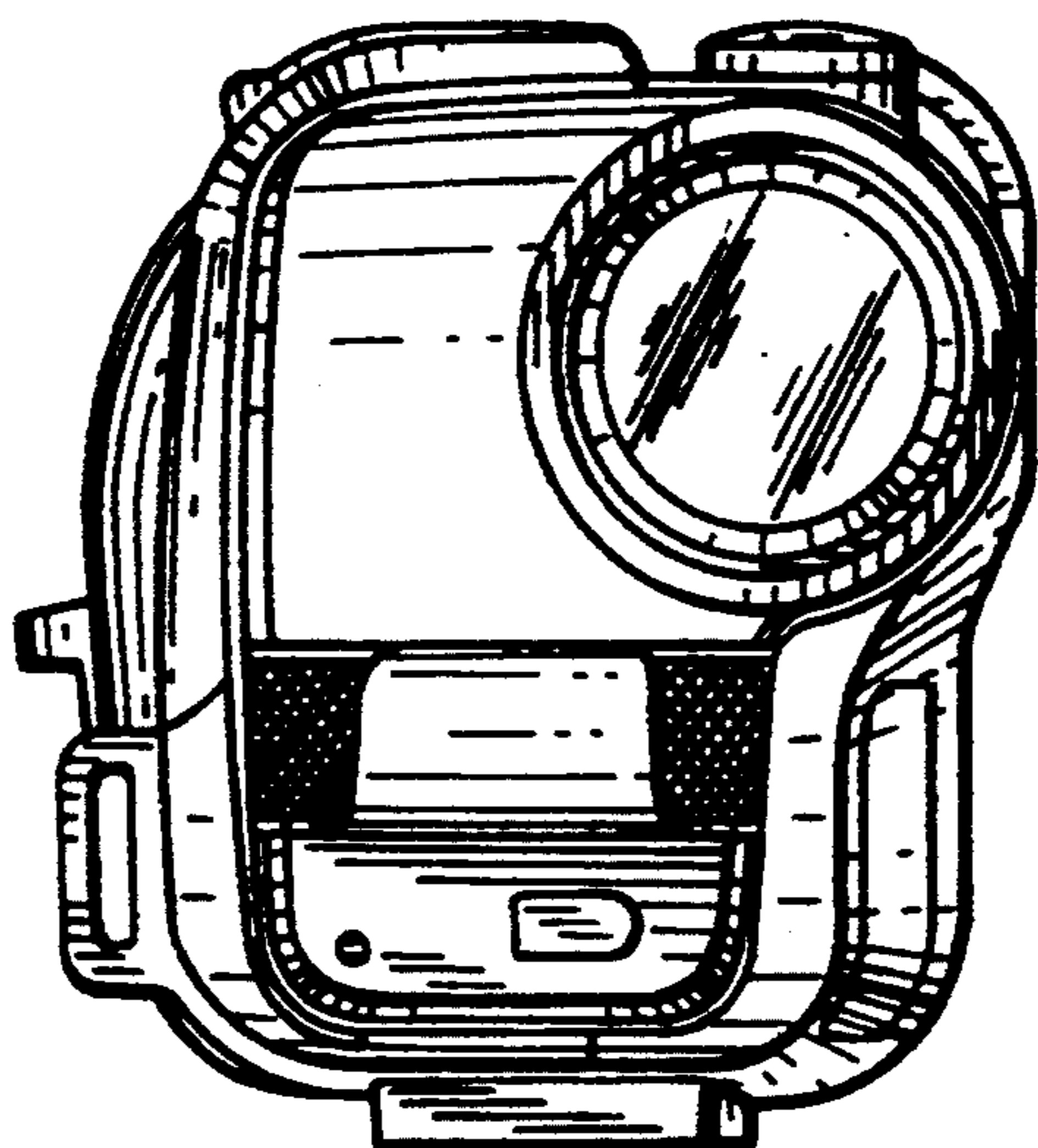


FIG. 5

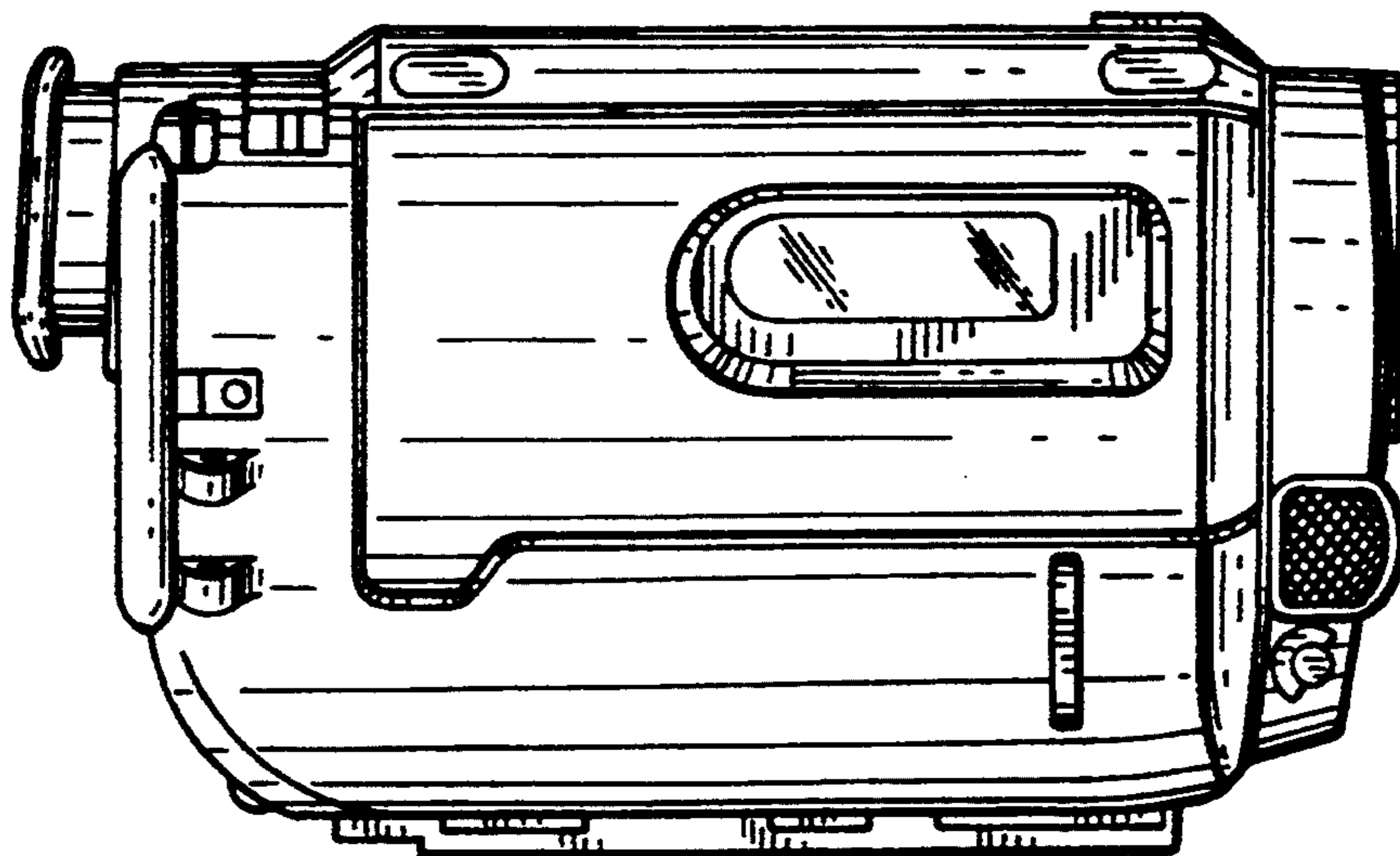


FIG. 4

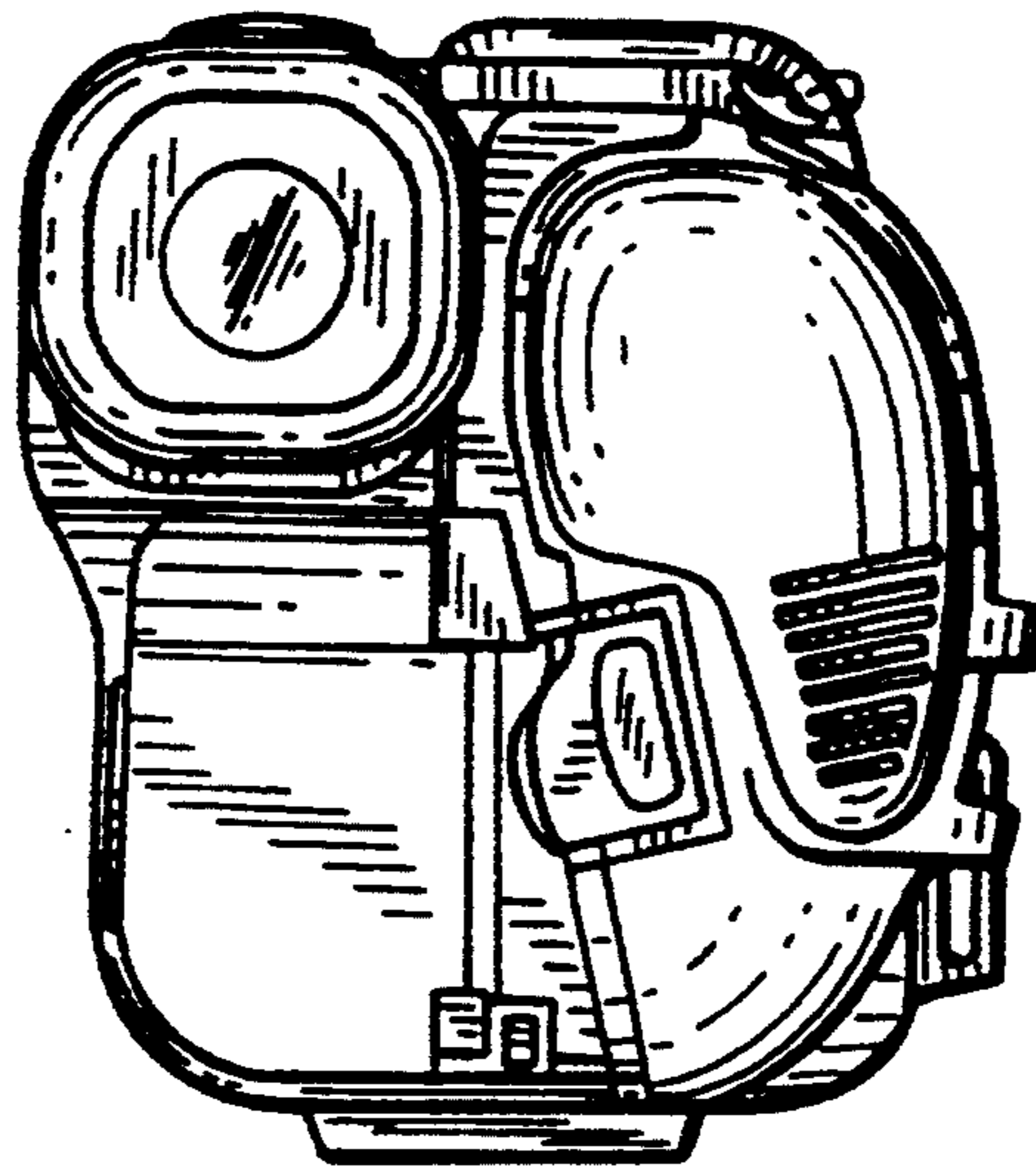


FIG. 7

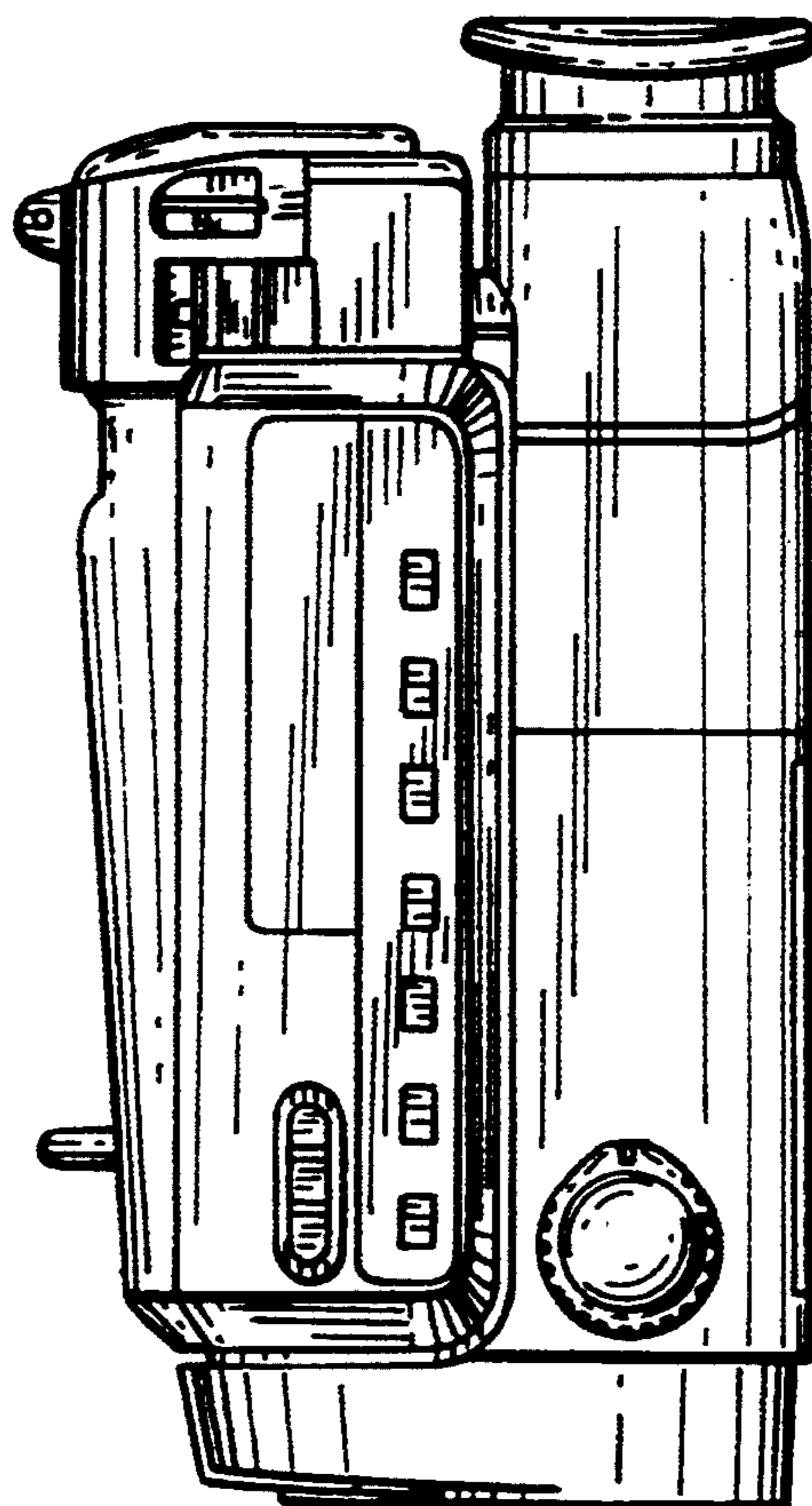


FIG. 6

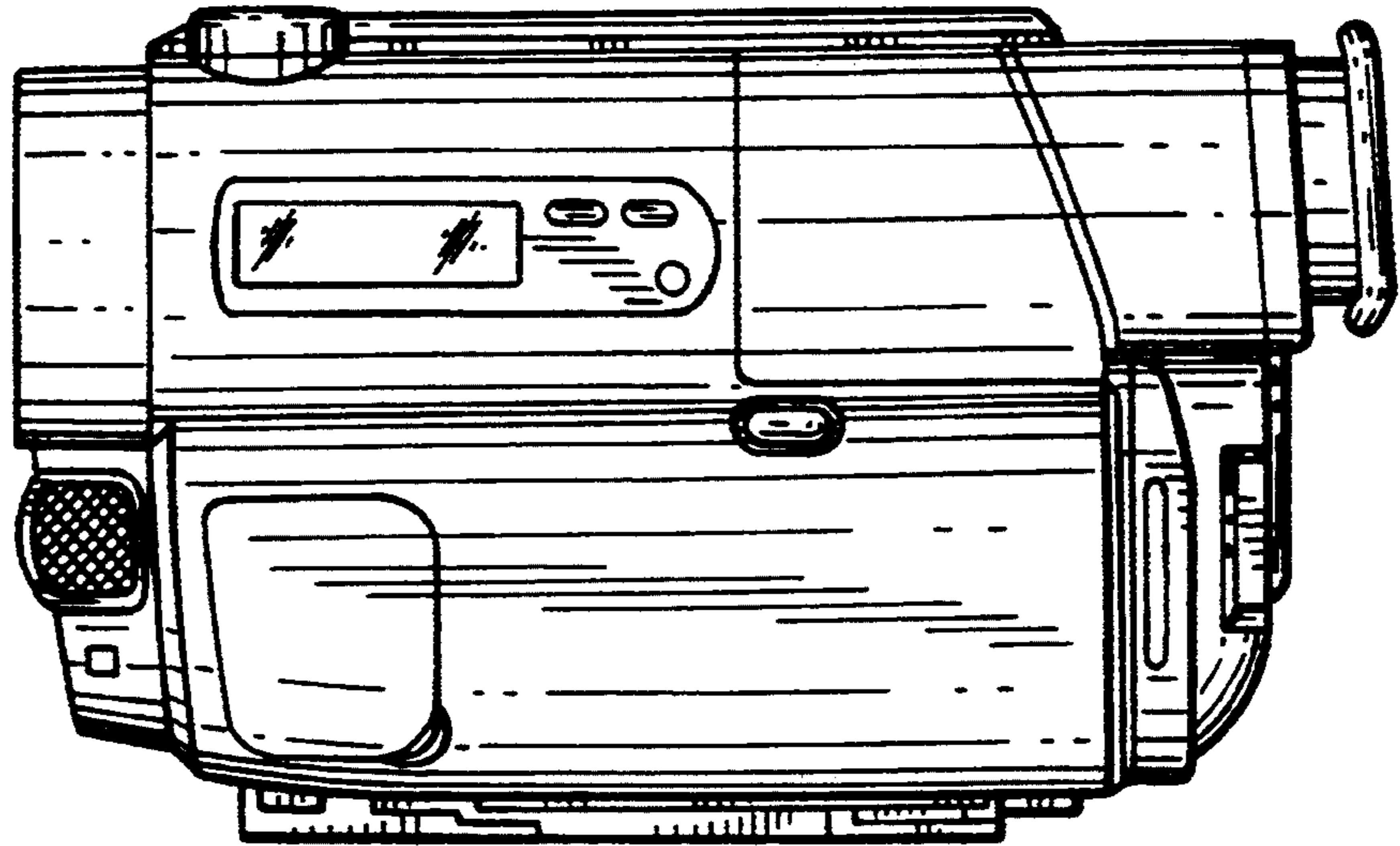
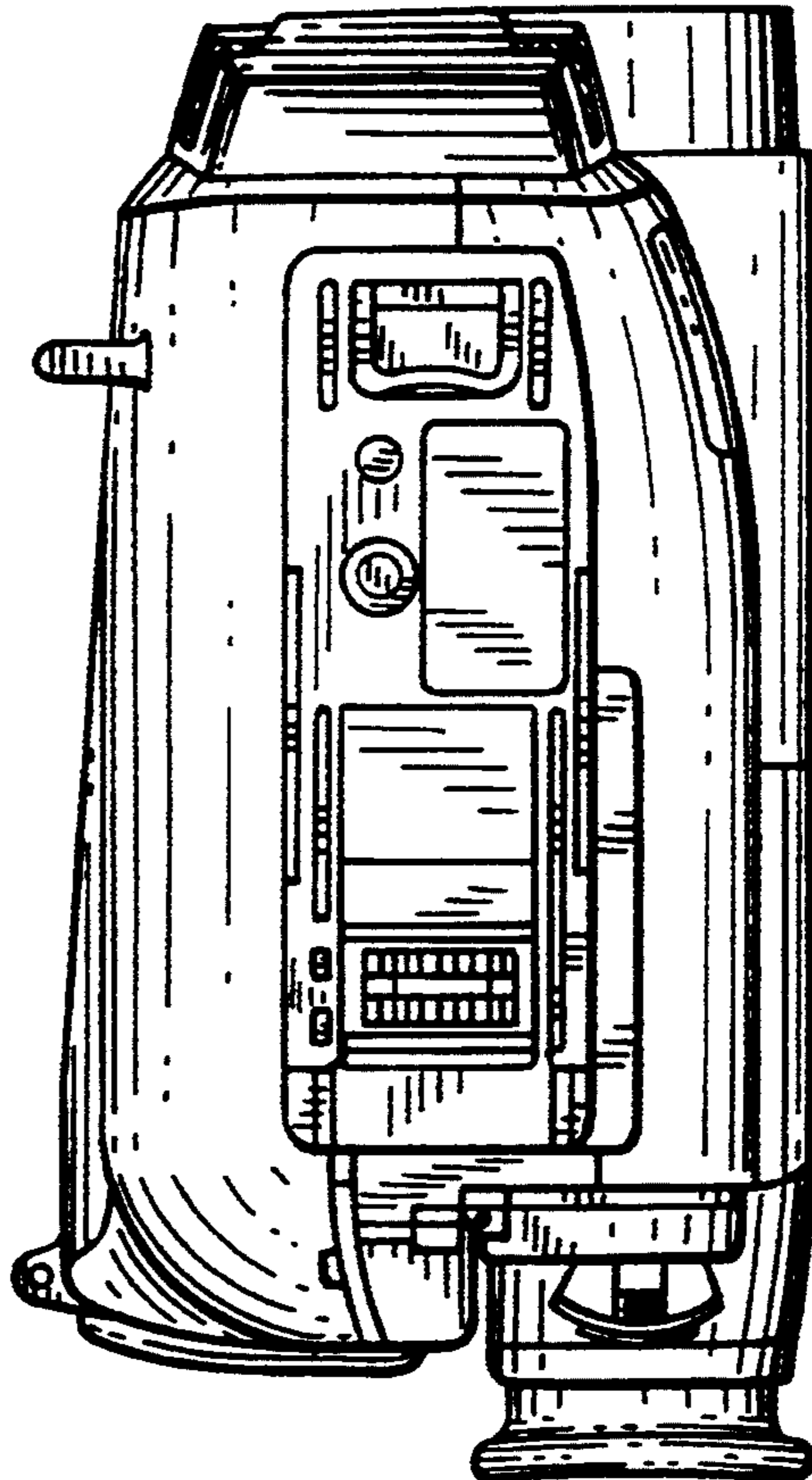


FIG. 8



UNITED STATES PATENT AND TRADEMARK OFFICE
CERTIFICATE OF CORRECTION

PATENT NO. : Des. 355,664
DATED : February 21, 1995
INVENTOR(S) : Tetsu Kataoka

It is certified that error appears in the above-identified patent and that said Letters Patent is hereby corrected as shown below:

On the title page: Item [73]

change "Sony IP
Corporation" to --Sony Corporation--

Signed and Sealed this
Twenty-seventh Day of June, 1995

Attest:



BRUCE LEHMAN

Attesting Officer

Commissioner of Patents and Trademarks