



US00D355656S

United States Patent [19]

[11] Patent Number: **Des. 355,656**

Coppersmith

[45] Date of Patent: **** Feb. 21, 1995**

[54] **AUDIO MIXER**

D. 235,779	7/1975	Barr	D14/217
D. 244,214	5/1977	Ross et al.	D14/217
D. 330,896	11/1992	Laiacona et al.	D14/217
4,885,792	12/1989	Christensen et al.	381/119

[75] Inventor: **R. Scott Coppersmith**, Shelby Township, Shelby County, Mich.

[73] Assignee: **The Enco Group**, Bloomfield Hills, Mich.

Primary Examiner—Theodore M. Shooman
Attorney, Agent, or Firm—Gifford, Groh, Sprinkle, Patmore and Anderson

[**] Term: **14 Years**

[57] **CLAIM**

[21] Appl. No.: **10,186**

The ornamental design for a audio mixer, as shown.

[22] Filed: **Jul. 1, 1993**

DESCRIPTION

[52] U.S. Cl. **D14/217**

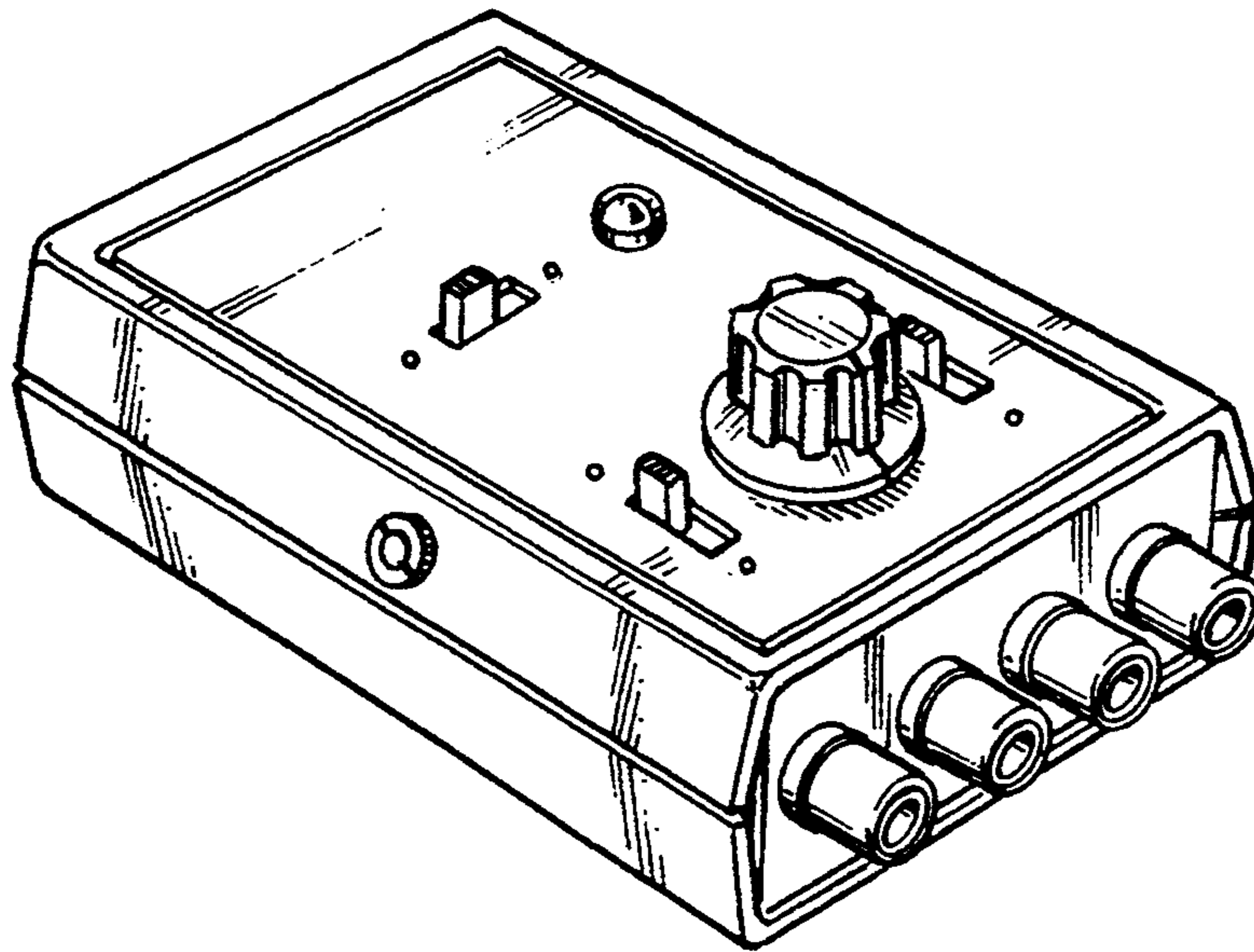
[58] Field of Search D14/124, 161, 167, 217,
D14/265, 299; 381/28, 103, 119; 379/202;
358/335

FIG. 1 is a top, front and right side perspective view of an audio mixer showing my new design;
FIG. 2 is a top plan view thereof;
FIG. 3 is a front elevational view thereof;
FIG. 4 is a rear elevational view thereof;
FIG. 5 is a right side elevational view thereof;
FIG. 6 is a left side elevational view thereof; and,
FIG. 7 is a bottom plan view thereof.

[56] **References Cited**

U.S. PATENT DOCUMENTS

D. 220,268 3/1971 Kliewer D14/124



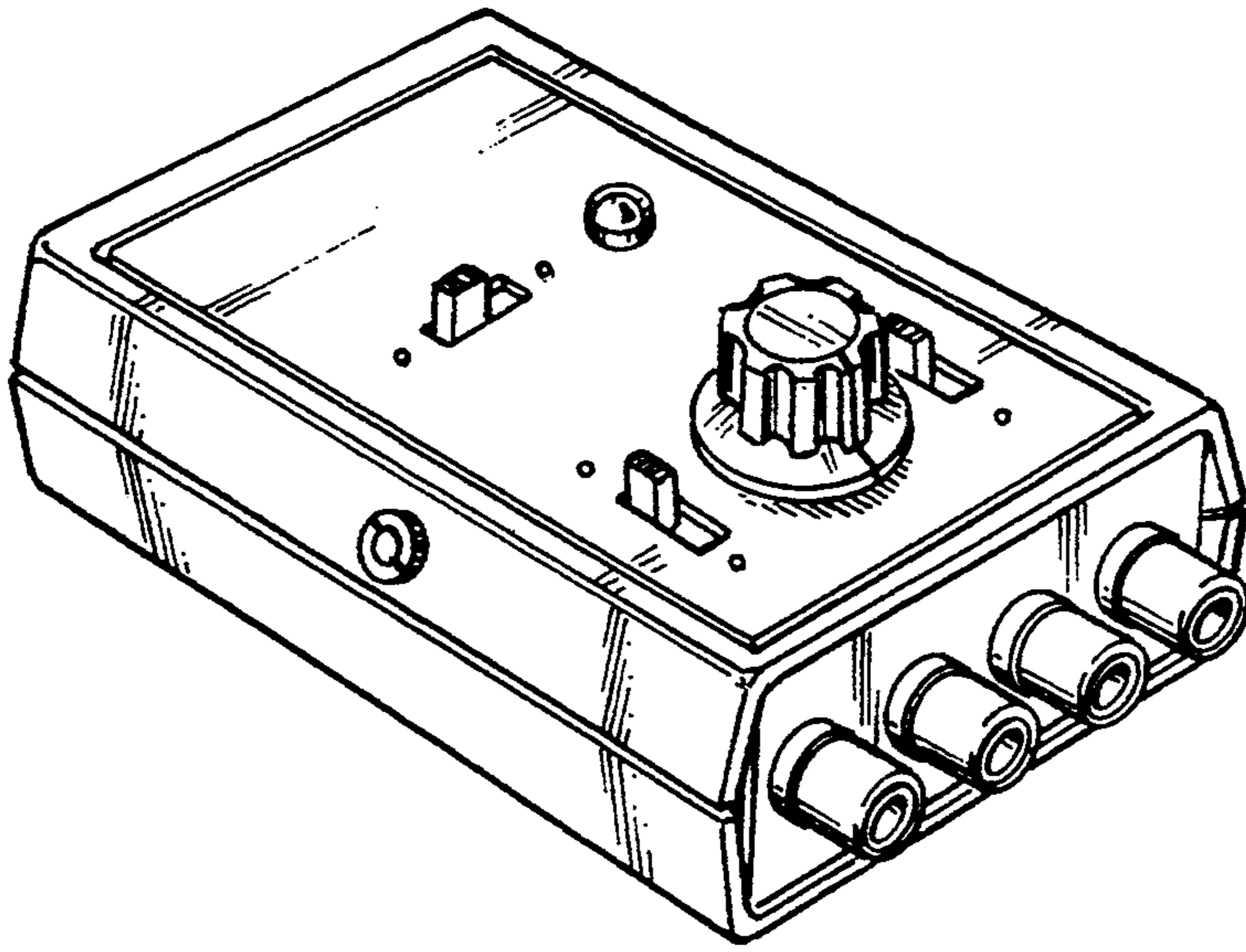


Fig-1

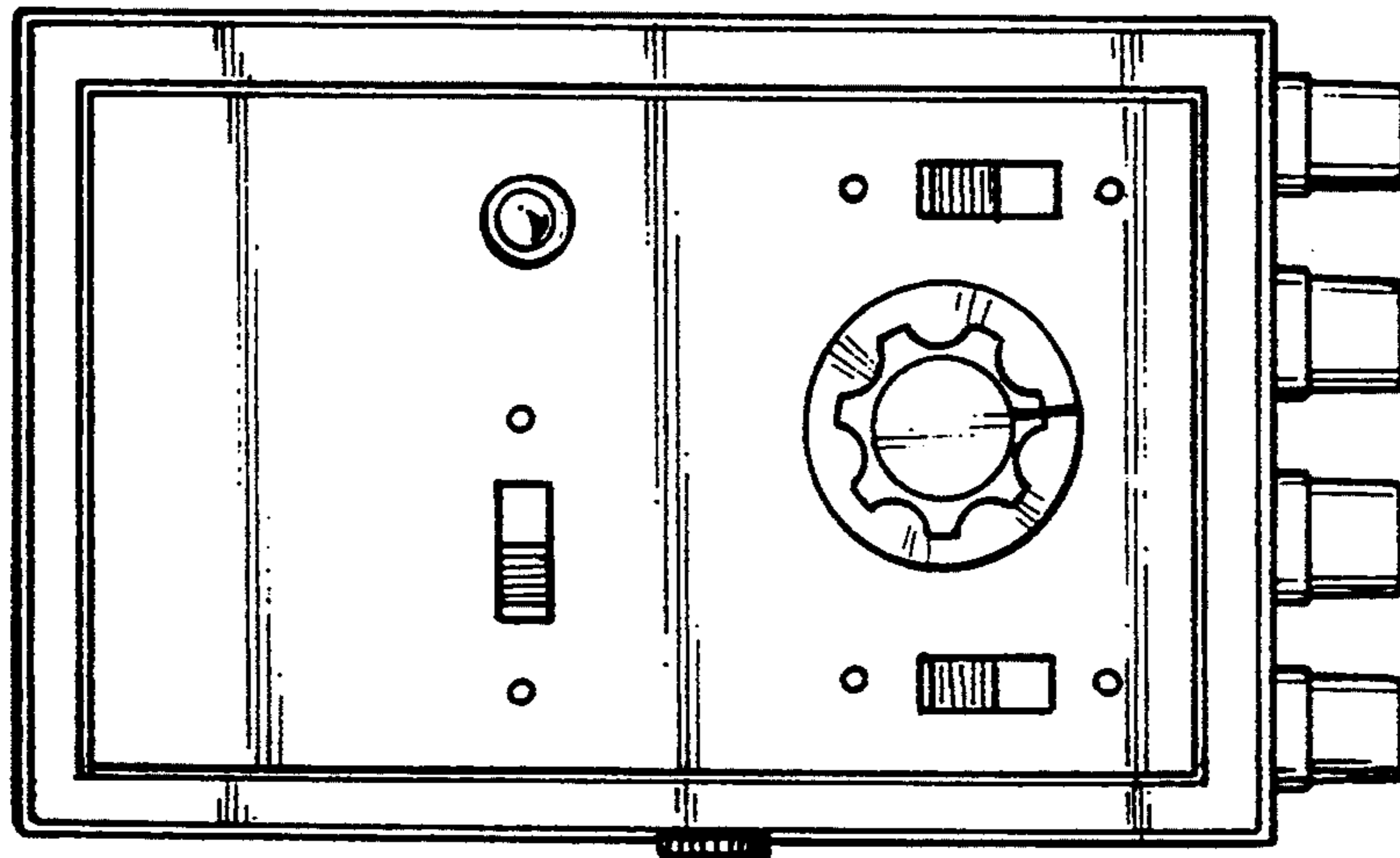


Fig-2

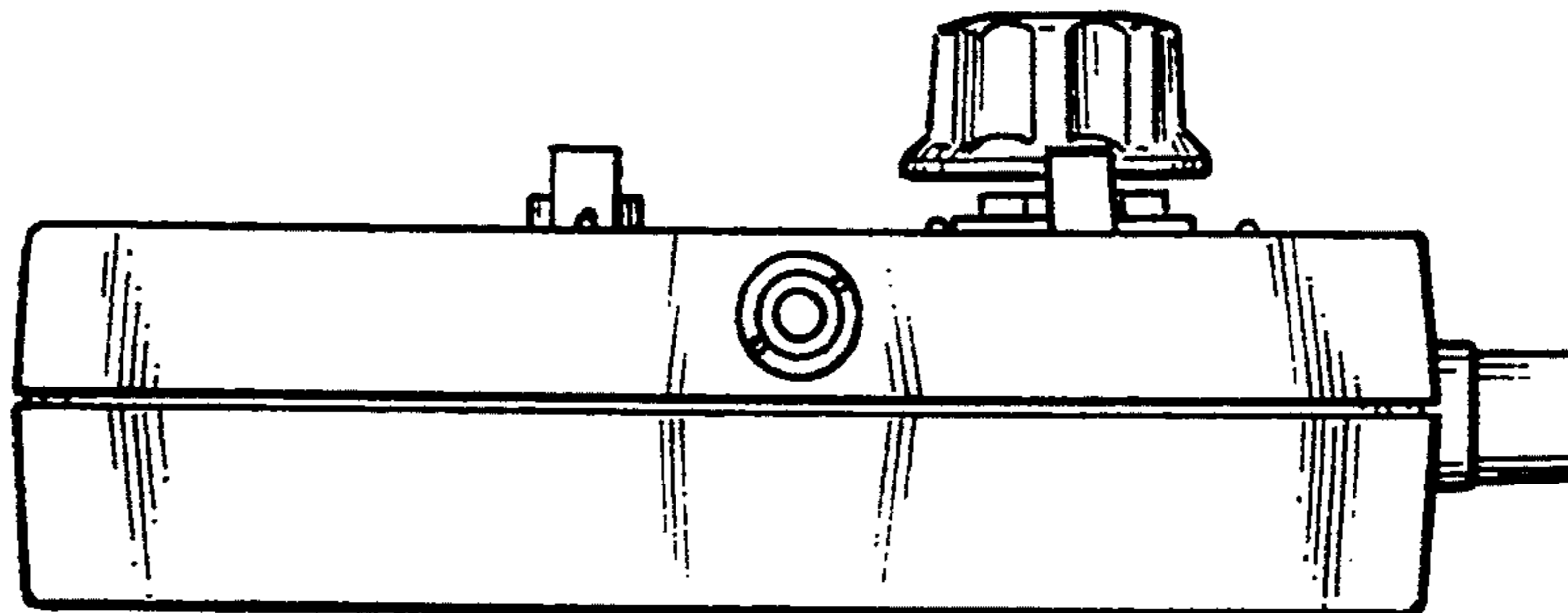


Fig-3

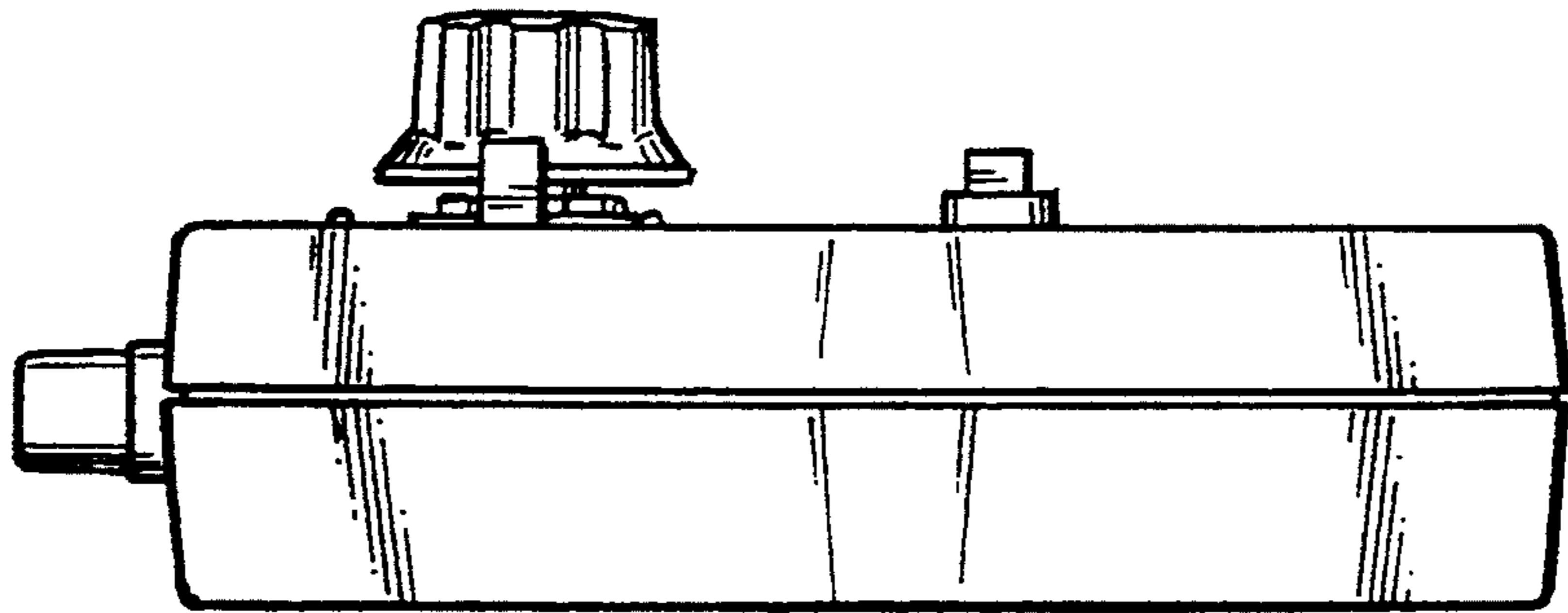


Fig-4

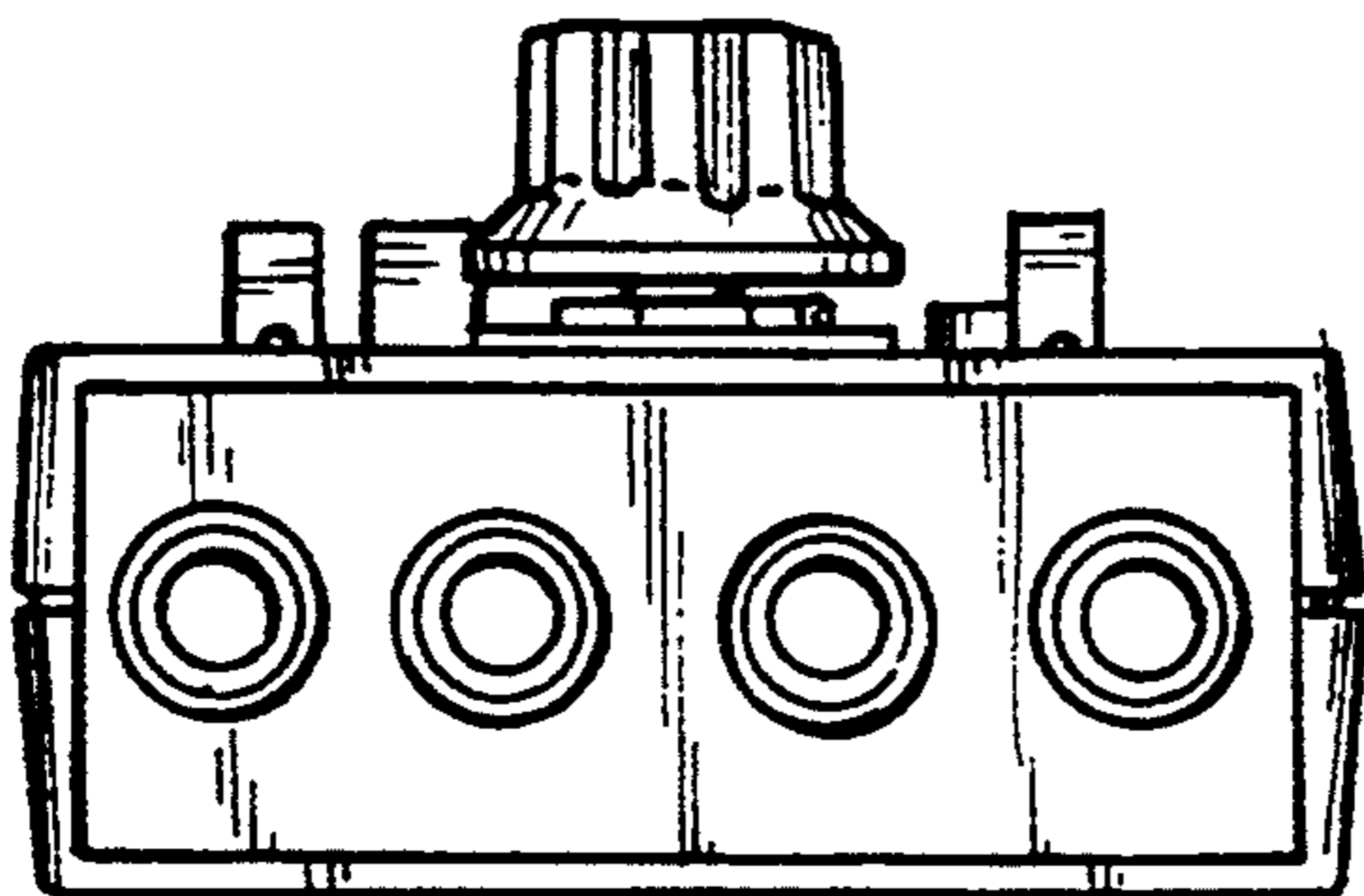


Fig-5

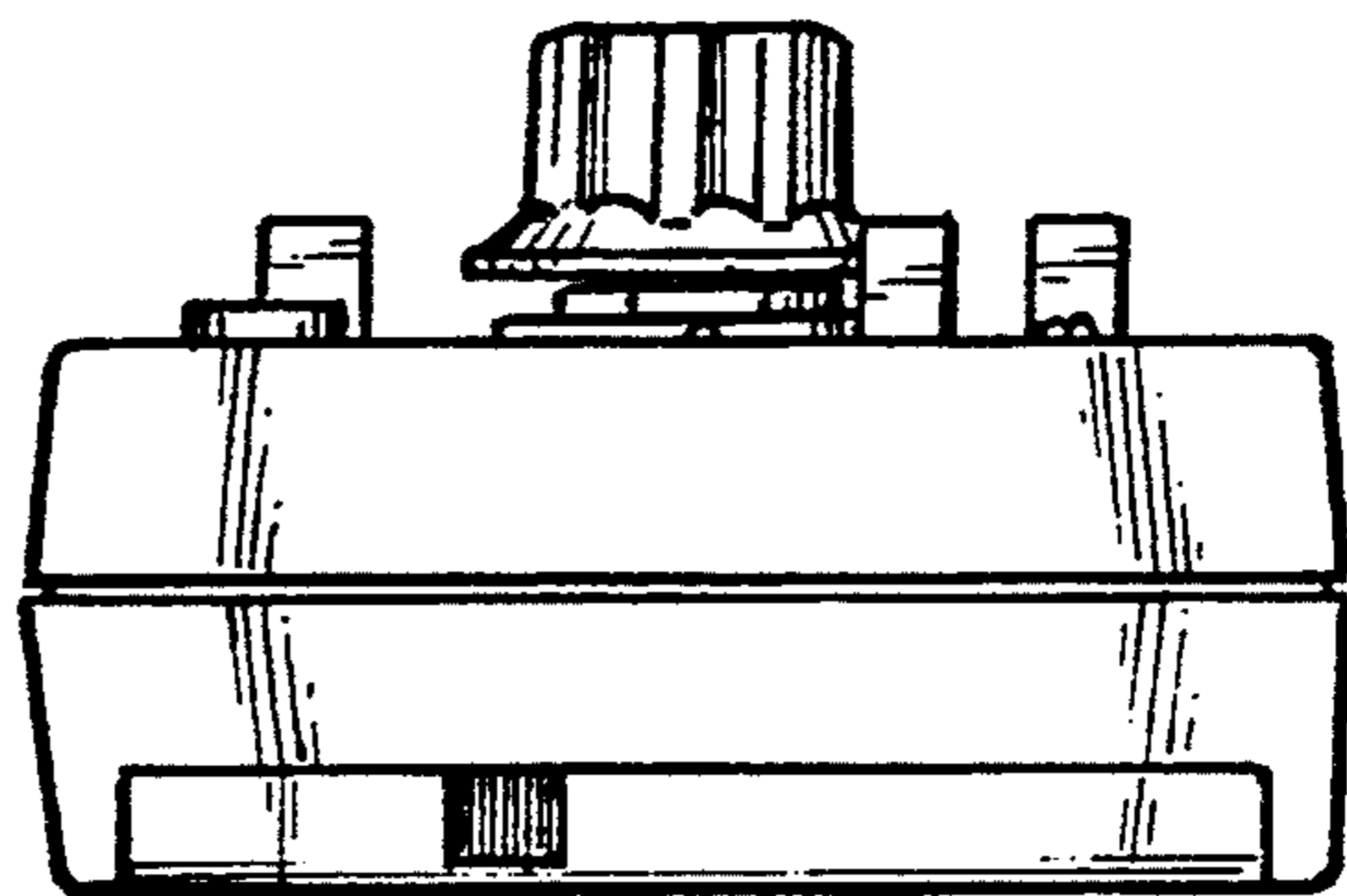


Fig-6

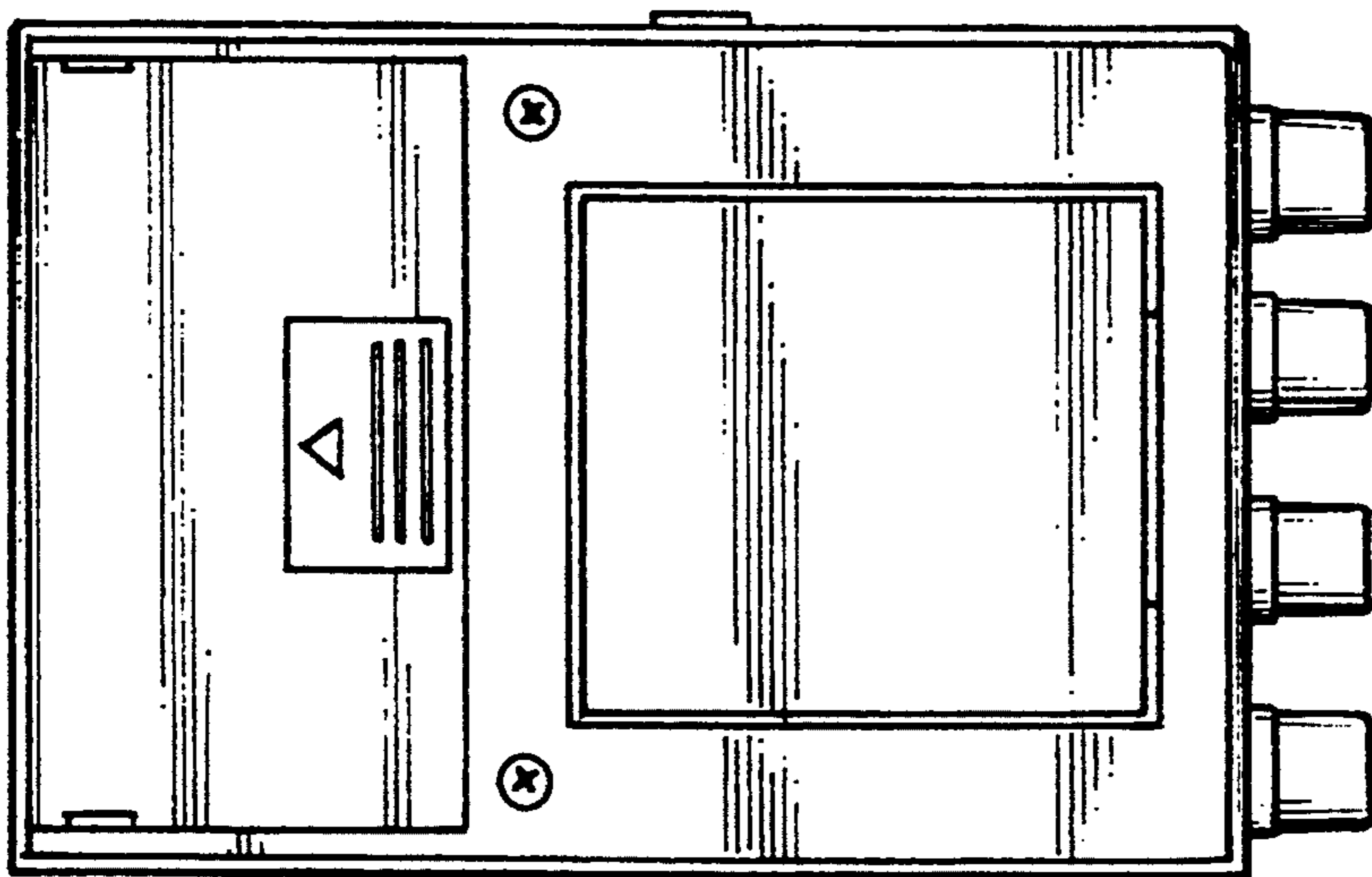


Fig-7