



US00D355651S

# United States Patent [19]

[11] Patent Number: **Des. 355,651**

Lee et al.

[45] Date of Patent: **\*\* Feb. 21, 1995**

[54] **TELEPHONE STAND**

[75] Inventors: **Dennis C. S. Lee; Tommy C. Francis; Sompopol Jampathom**, all of Singapore, Singapore; **Paul A. Scheib**, New York, N.Y.; **Desmond T. C. Hoe**, Singapore, Singapore; **Michael P. Zambelli**, Livingston, N.J.

[73] Assignee: **AT&T Corp.**, Murray Hill, N.J.

[\*\*] Term: **14 Years**

[21] Appl. No.: **11,610**

[22] Filed: **Aug. 11, 1993**

[52] U.S. Cl. .... **D14/149; D14/253**

[58] Field of Search ..... **D14/137, 138, 140, 142, D14/149-151, 240, 241, 251, 253; 379/419, 420, 428, 440, 434-436**

[56] **References Cited**

**U.S. PATENT DOCUMENTS**

- D. 284,764 7/1986 Felix et al. .... D14/149
- D. 289,394 4/1987 Brown ..... D14/149
- D. 297,534 9/1988 Daniels et al. .... D14/149

- D. 301,143 5/1989 Jackwicz et al. .... D14/253 X
- D. 301,144 5/1989 Jackwicz et al. .... D14/142
- D. 313,800 1/1991 Appleby ..... D14/151
- D. 315,352 3/1991 Lanaton ..... D14/251

**OTHER PUBLICATIONS**

B. A. Pargh 1992 Spring/Summer catalog p. 313, AT&T telephone at bottom left.

*Primary Examiner*—Alan P. Douglas

*Assistant Examiner*—Jeffrey Asch

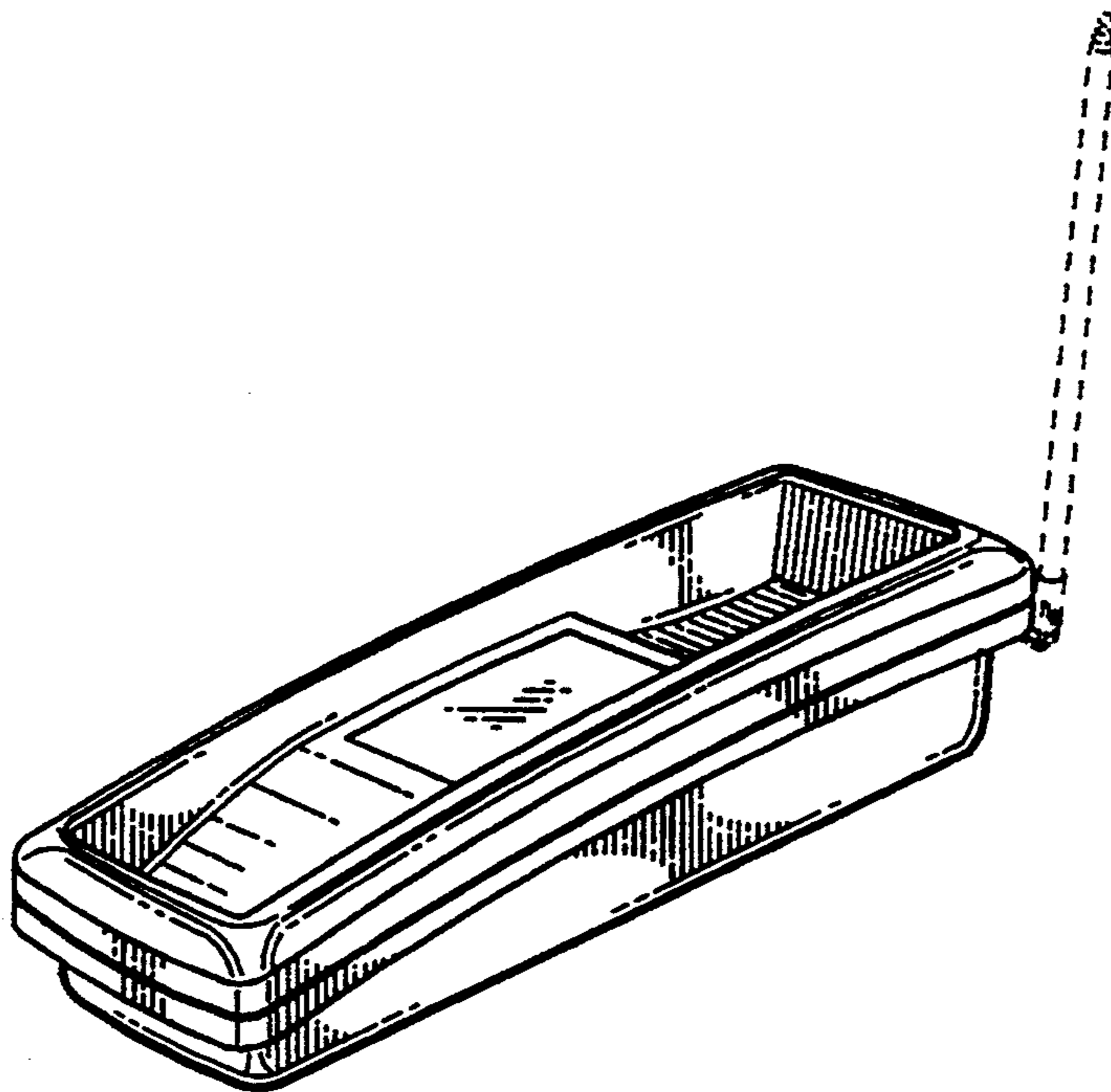
*Attorney, Agent, or Firm*—Samuel R. Williamson

[57] **CLAIM**

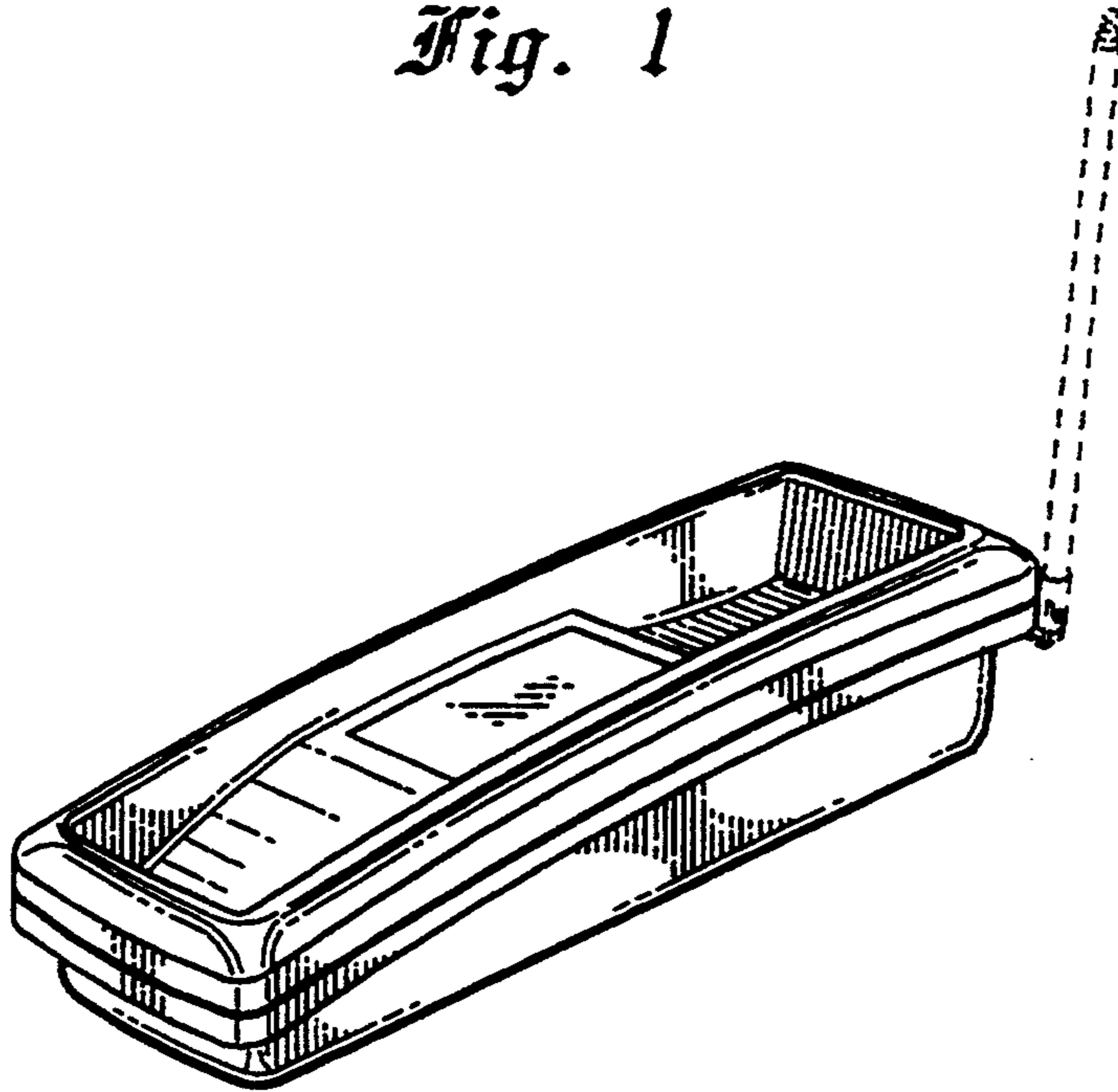
The ornamental design for a telephone stand, as shown and described.

**DESCRIPTION**

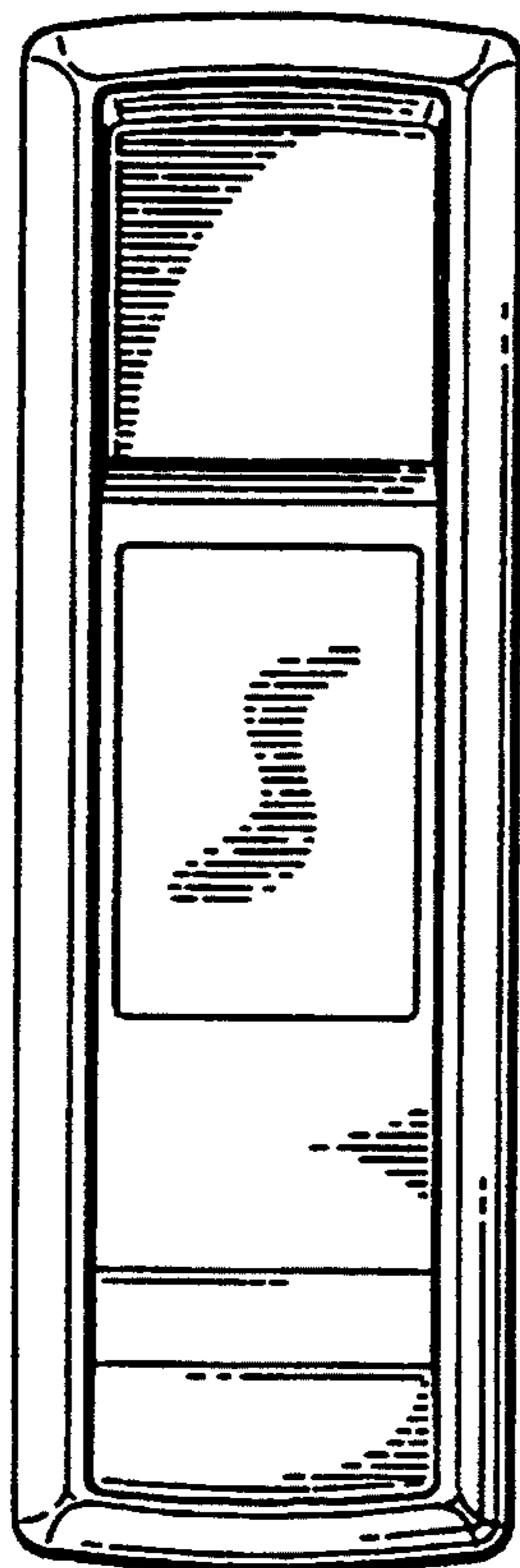
FIG. 1 is a top, front and right side perspective view of a telephone stand showing our new design; FIG. 2 is a top plan view thereof; FIG. 3 is a left side elevation thereof; FIG. 4 is a front elevation thereof; FIG. 5 is a rear elevation thereof; and, FIG. 6 is a bottom plan view thereof. The broken lines are shown for purposes of illustration only and form no part of the claimed design.



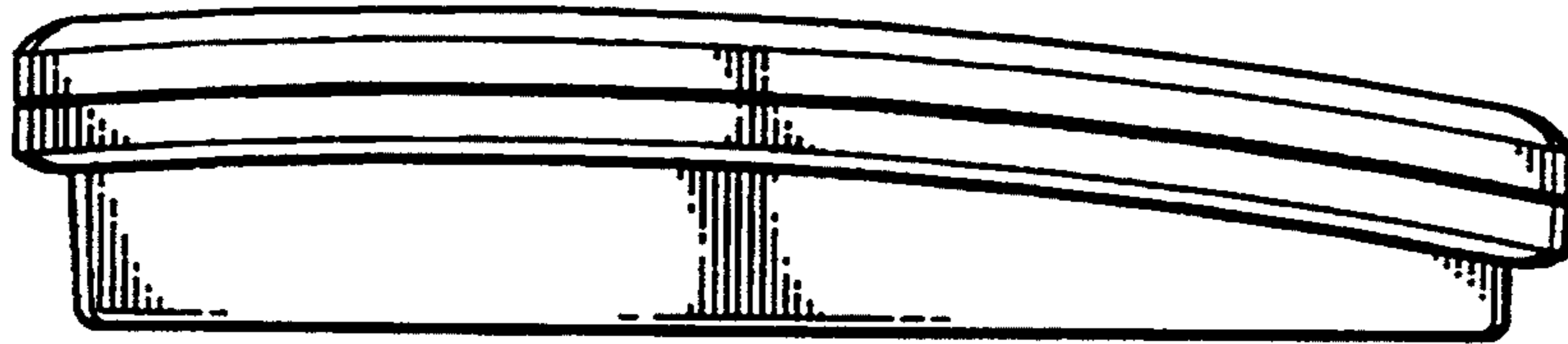
*Fig. 1*



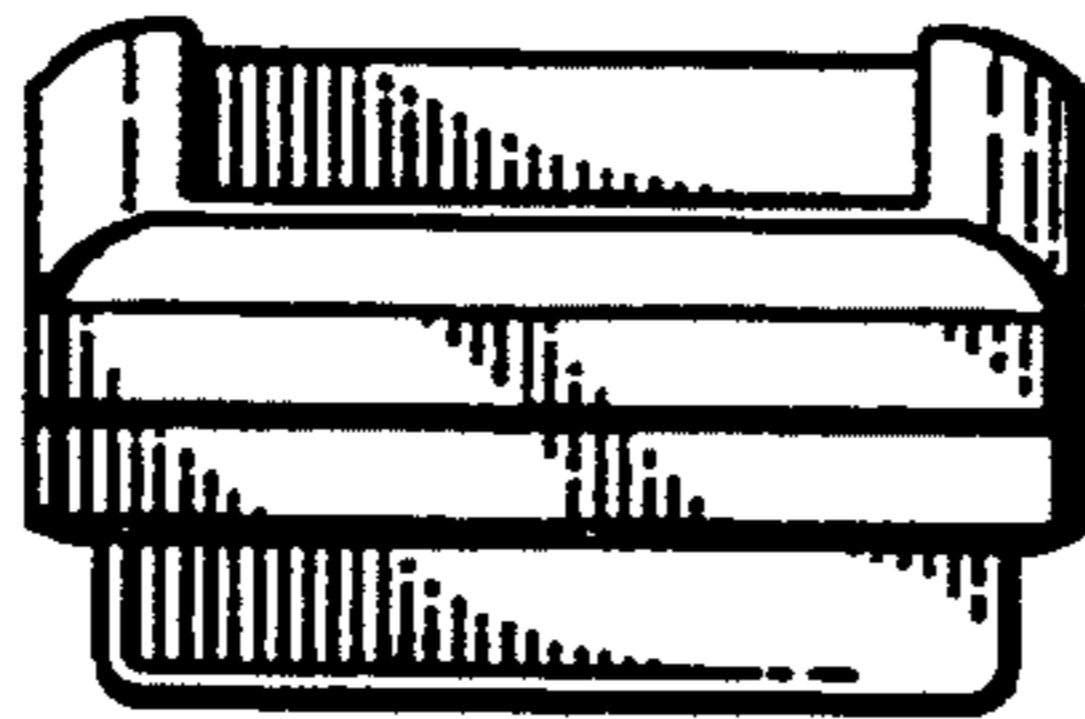
*Fig. 2*



*Fig. 3*



*Fig. 4*



*Fig. 5*



*Fig. 6*

