



US00D355649S

United States Patent [19]

Gale et al.

[11] Patent Number: **Des. 355,649**

[45] Date of Patent: **** Feb. 21, 1995**

[54] **BASE MOUNTED REAR PROJECTION MONITOR**

[75] Inventors: **Ronald Gale, Sharon; Richard McClullough; Jack P. Salerno, Waban, all of Mass.**

[73] Assignee: **Kopin Corporation, Taunton, Mass.**

[**] Term: **14 Years**

[21] Appl. No.: **4,636**

[22] Filed: **Feb. 10, 1993**

[52] U.S. Cl. **D14/128; D14/126; D14/113**

[58] Field of Search **D14/124-133, D14/299; 348/790-794**

[56] **References Cited**

U.S. PATENT DOCUMENTS

D. 179,404	12/1956	Aiken	D14/126
D. 291,441	8/1987	Nishiyori et al.	D14/126
D. 307,007	4/1990	Umeno et al.	D14/133
D. 313,431	1/1991	Jaskiel, Jr. et al.	D14/126
D. 314,570	2/1991	Newman	D14/126
D. 323,324	1/1992	Suda	D14/126 X
D. 349,896	8/1994	Gale et al.	D14/128
4,976,536	12/1990	Vogley et al.	353/122
5,037,196	8/1991	Takafuji et al.	353/122

OTHER PUBLICATIONS

Design 470, "Telly Design: into the final set?" Feb. 1988, p. 26.

Kahn, F., "High Definition Projection Display Systems", Flat Information Displays, Conference (1990), Stanford Resources, Inc. Information Associates, pp. 1-25.

Yokozawa et al., "High Definition TV Rear Projector Using LCD Panels" Conference Record of the 1991 International Display Research Conference.

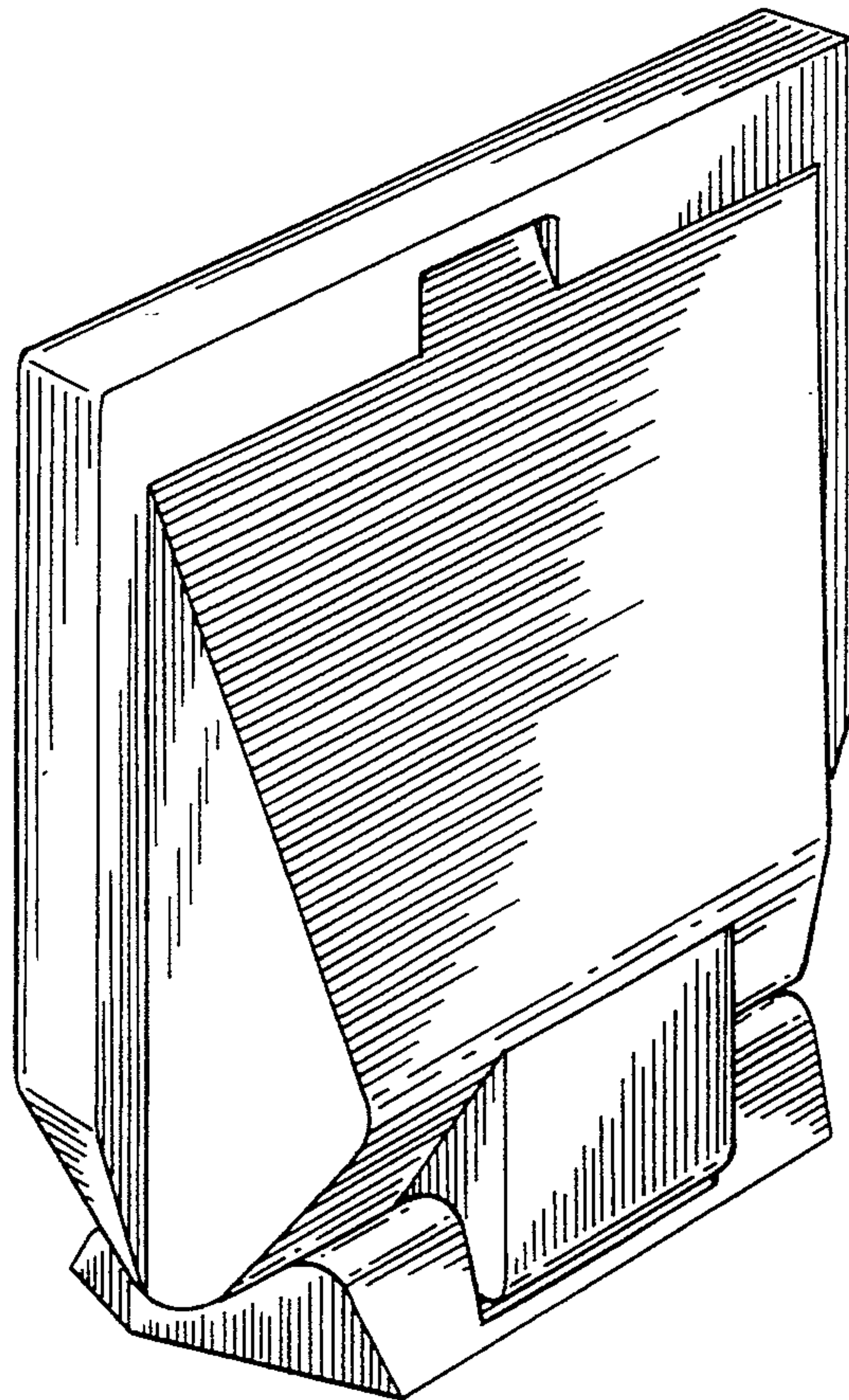
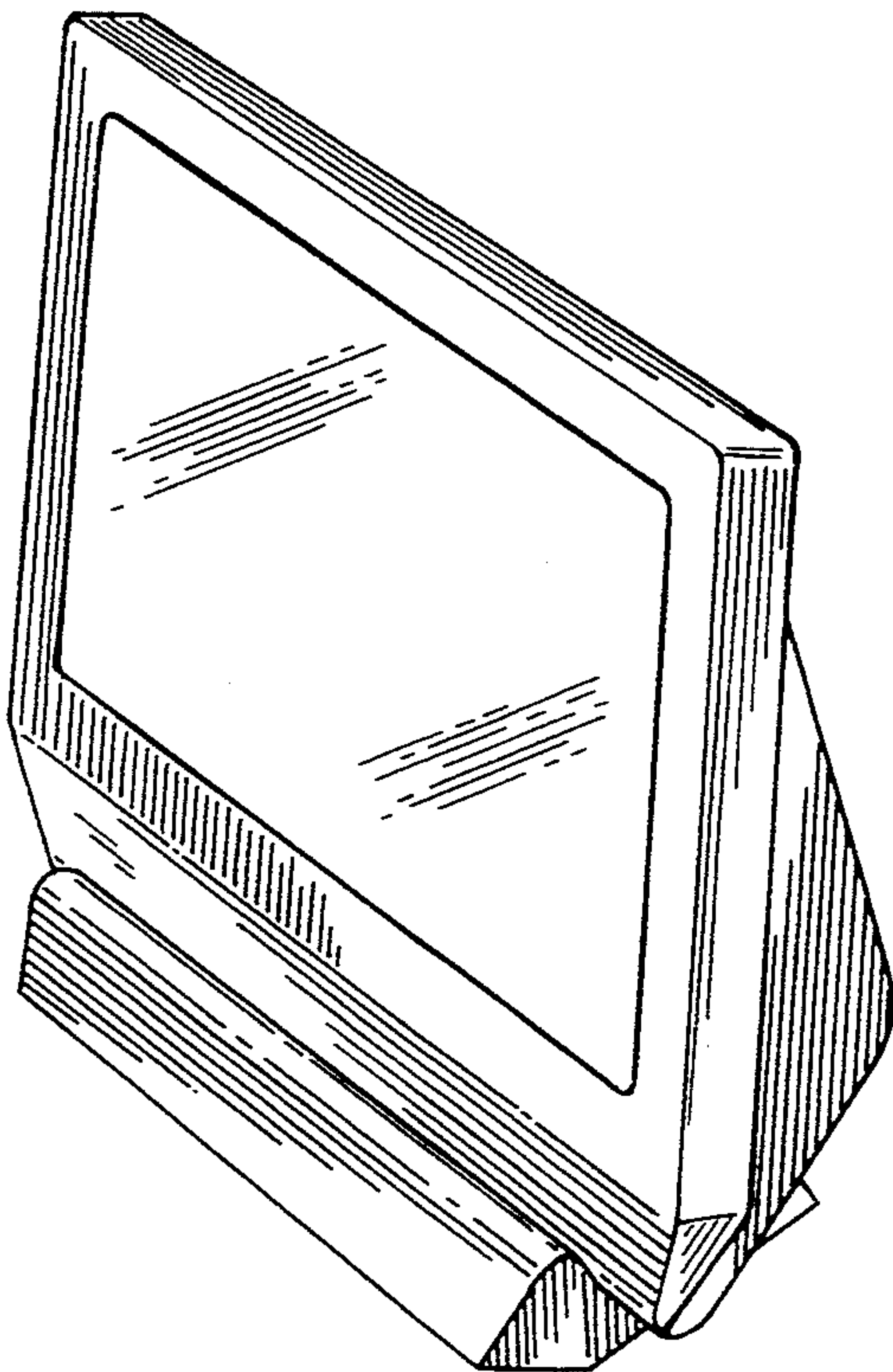
Primary Examiner—Theodore M. Shooman
Attorney, Agent, or Firm—Hamilton, Brook, Smith & Reynolds

[57] **CLAIM**

The ornamental design for a base mounted rear projection monitor, as shown and described.

DESCRIPTION

FIG. 1 is a front perspective view of the base mounted rear projection monitor embodying our new design; FIG. 2 is a rear perspective view thereof; FIG. 3 is a front elevation thereof; FIG. 4 is a rear elevation thereof; FIG. 5 is a right side elevation thereof, the left side being a mirror image; FIG. 6 is a top view thereof; and, FIG. 7 is a bottom view thereof.



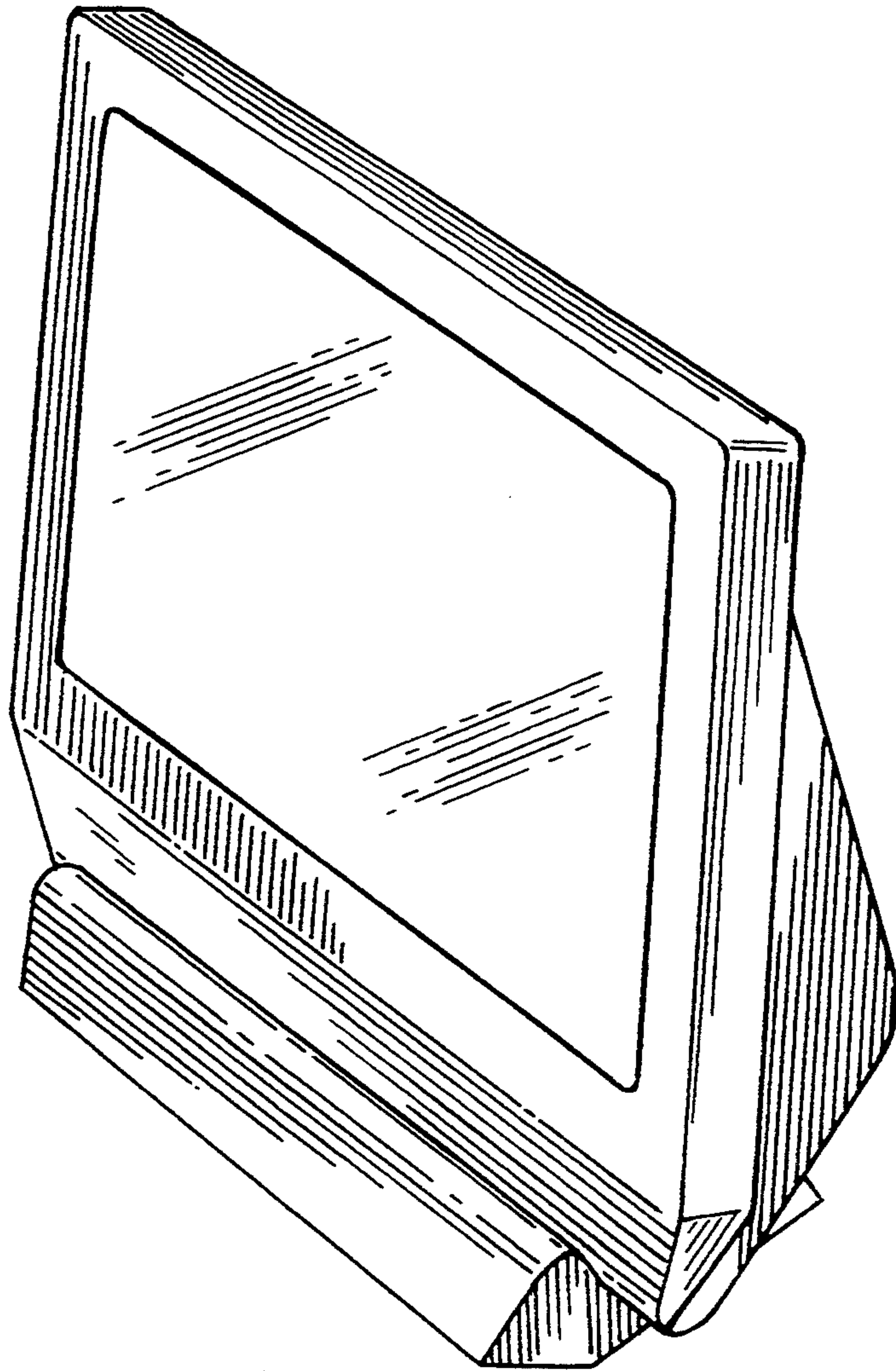


Fig. 1

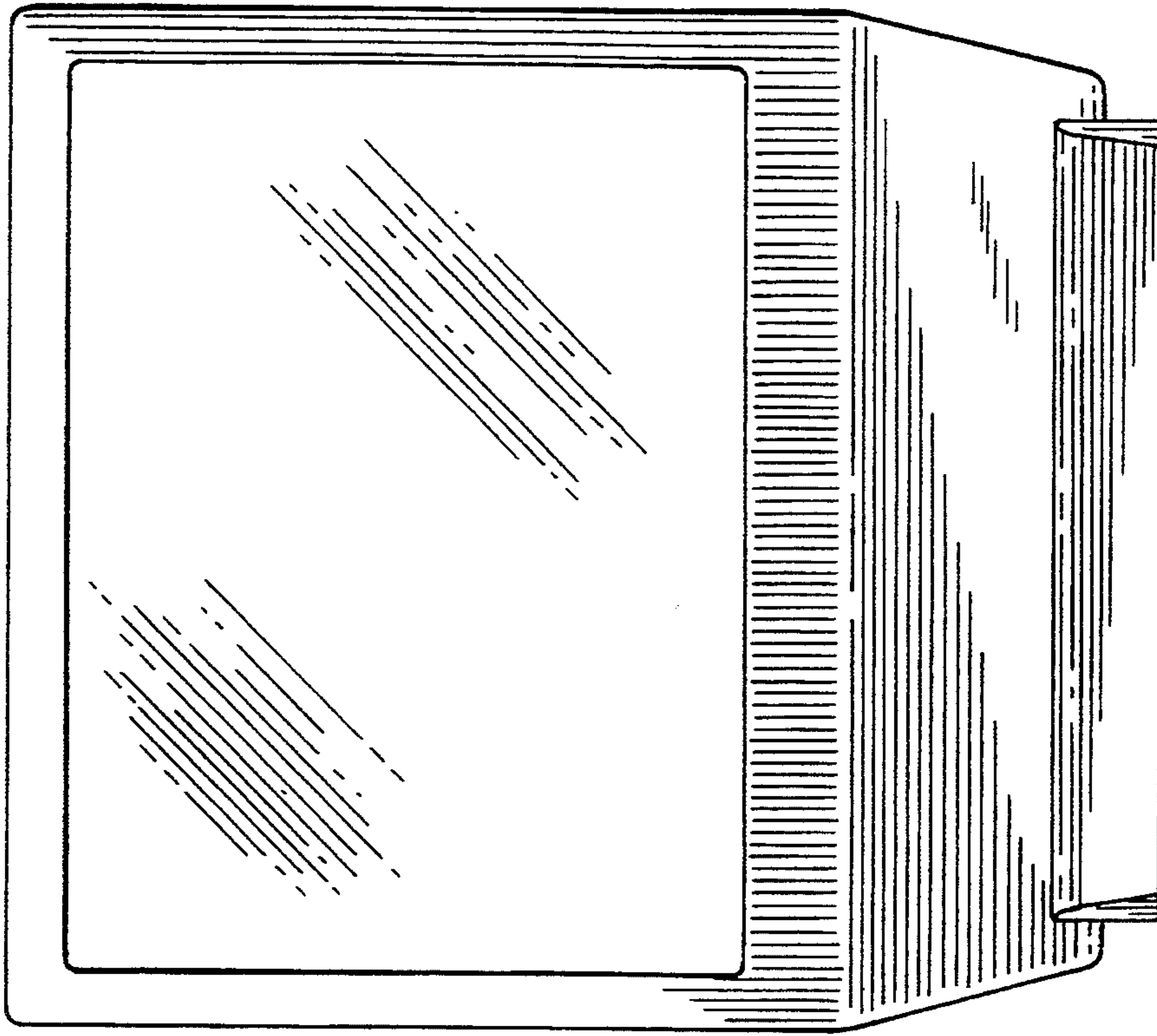


Fig. 3

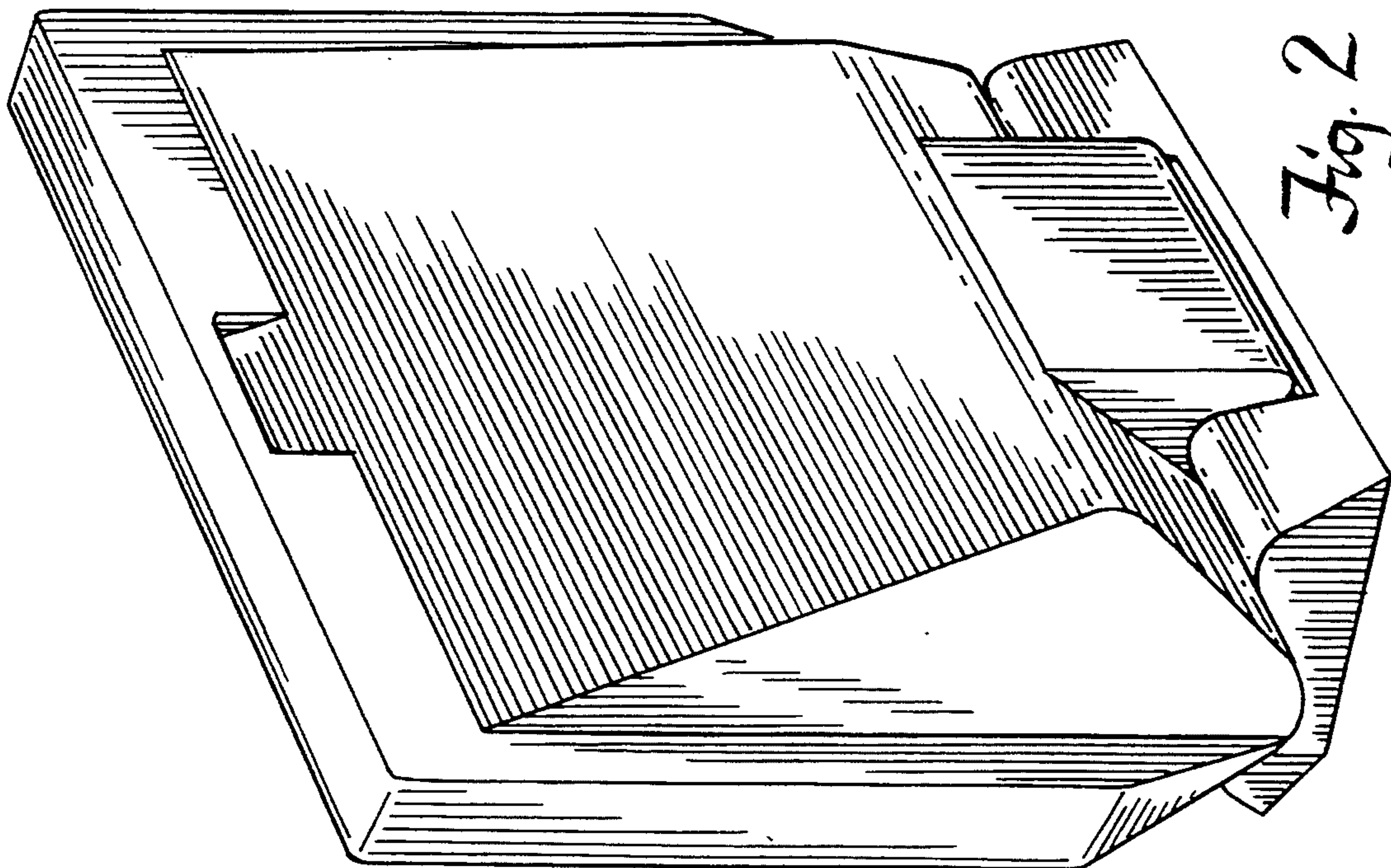


Fig. 2

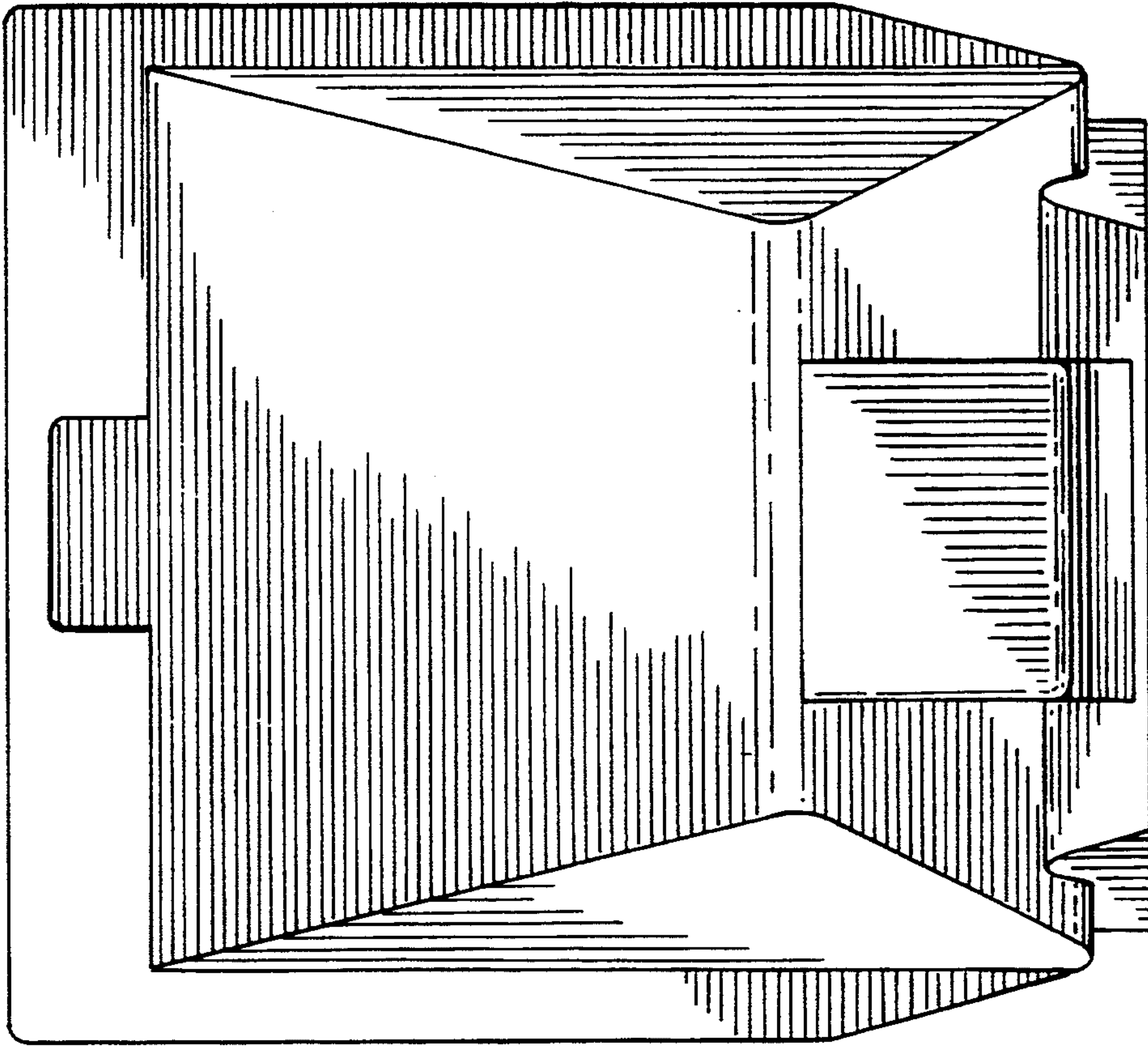


Fig. 4

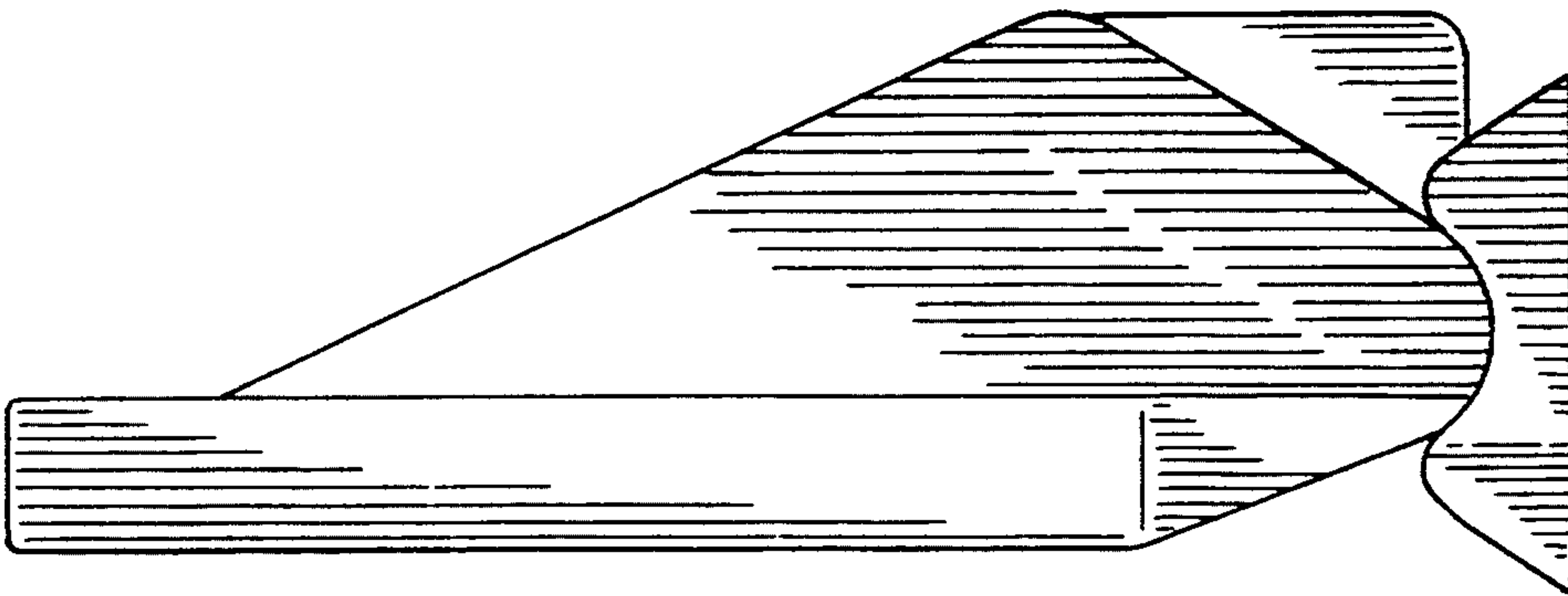


Fig. 5

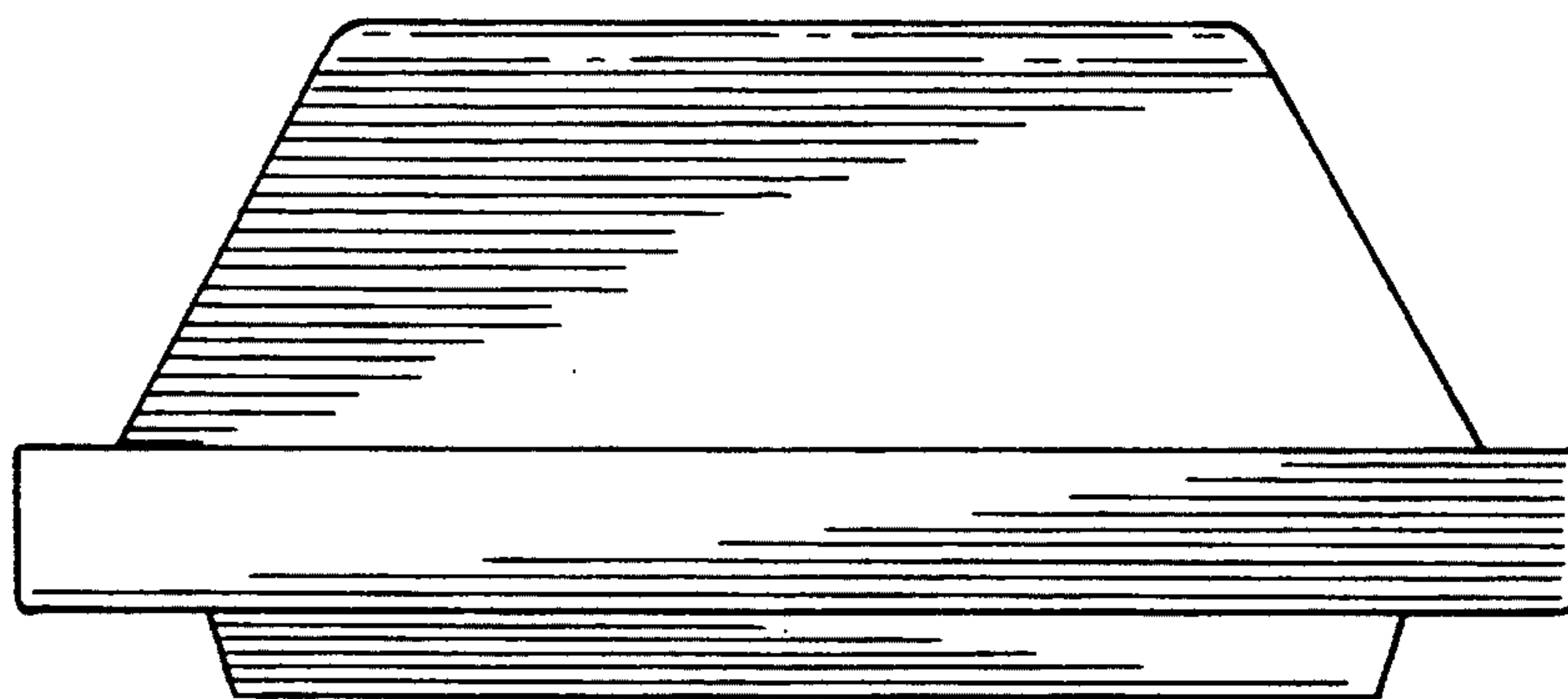


Fig. 6

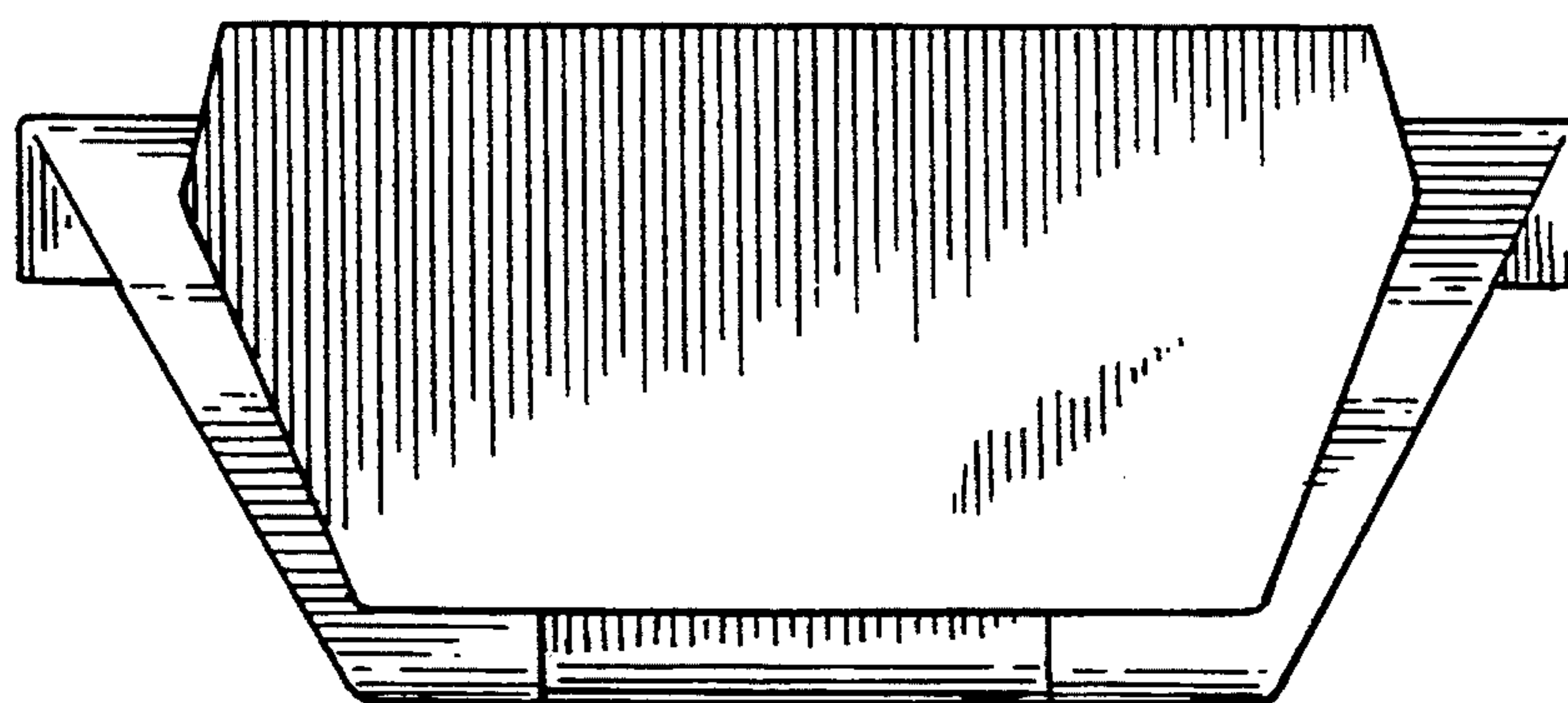


Fig. 7