



US00D355646S

United States Patent [19]

Yasuno et al.

[11] Patent Number: **Des. 355,646**

[45] Date of Patent: **** Feb. 21, 1995**

[54] **MONITOR FOR COMPUTER**

[75] Inventors: **Hiroshi Yasuno, Osaka; Kazutoshi Masunari, Kanagawa; Hiroyuki Maeno, Osaka, all of Japan**

[73] Assignee: **Matsushita Electric Industrial Co., Ltd., Osaka, Japan**

[**] Term: **14 Years**

[21] Appl. No.: **11,942**

[22] Filed: **Aug. 18, 1993**

[30] Foreign Application Priority Data

Feb. 24, 1993 [JP] Japan 5-5418

[52] U.S. Cl. **D14/113**

[58] Field of Search D14/100, 106, 113, 101, D14/124-127, 128; 248/917-924; 345/104, 133, 156, 168, 173, 901-905; 358/249, 254, 255

[56] References Cited

U.S. PATENT DOCUMENTS

D. 289,651 5/1987 Nuttall et al. D14/113

D. 303,661 9/1989 Manabe et al. D14/113
D. 344,933 3/1994 Wiseman et al. D14/113
D. 347,840 6/1994 Gale et al. D14/126 X
D. 349,277 8/1994 Merino et al. D14/100

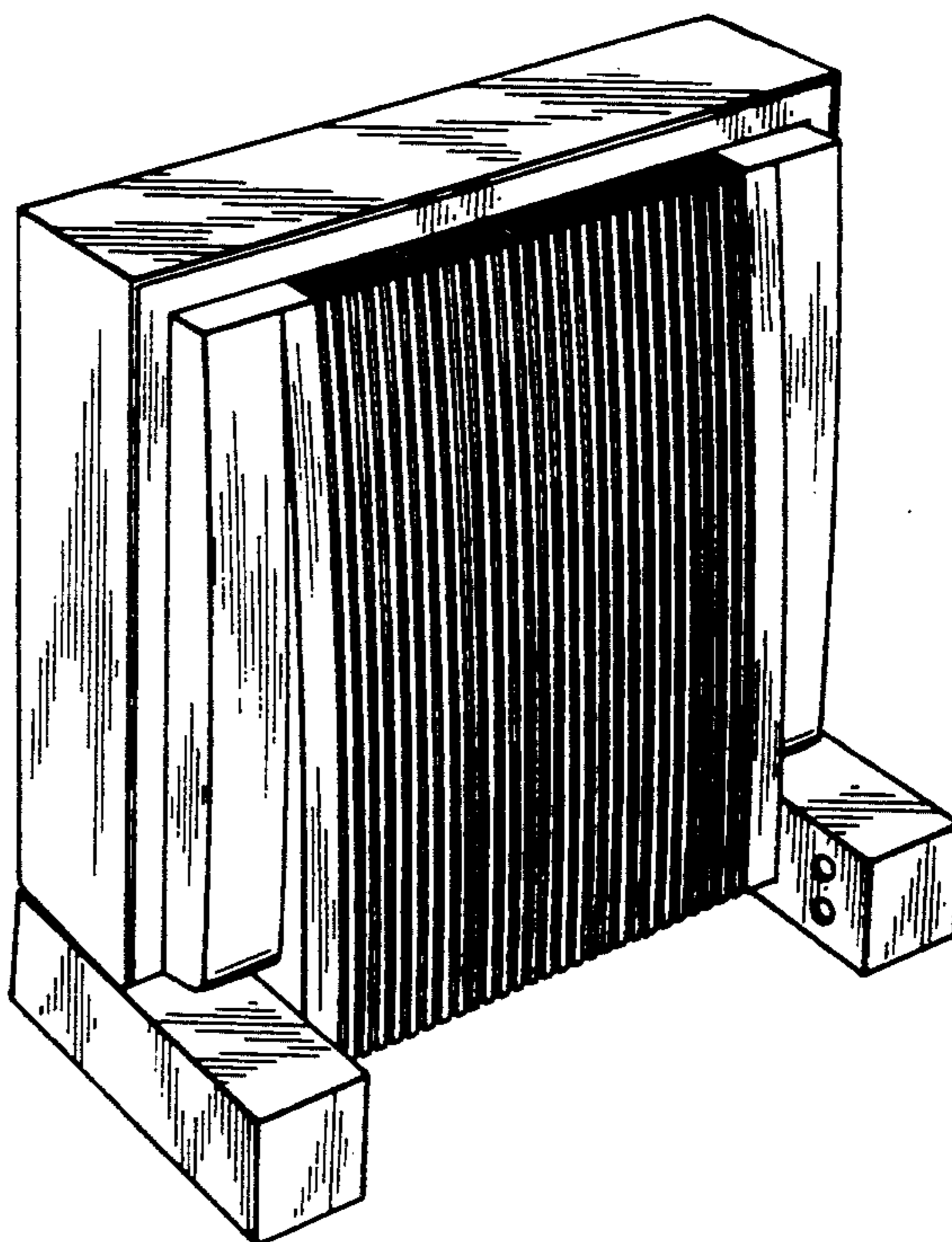
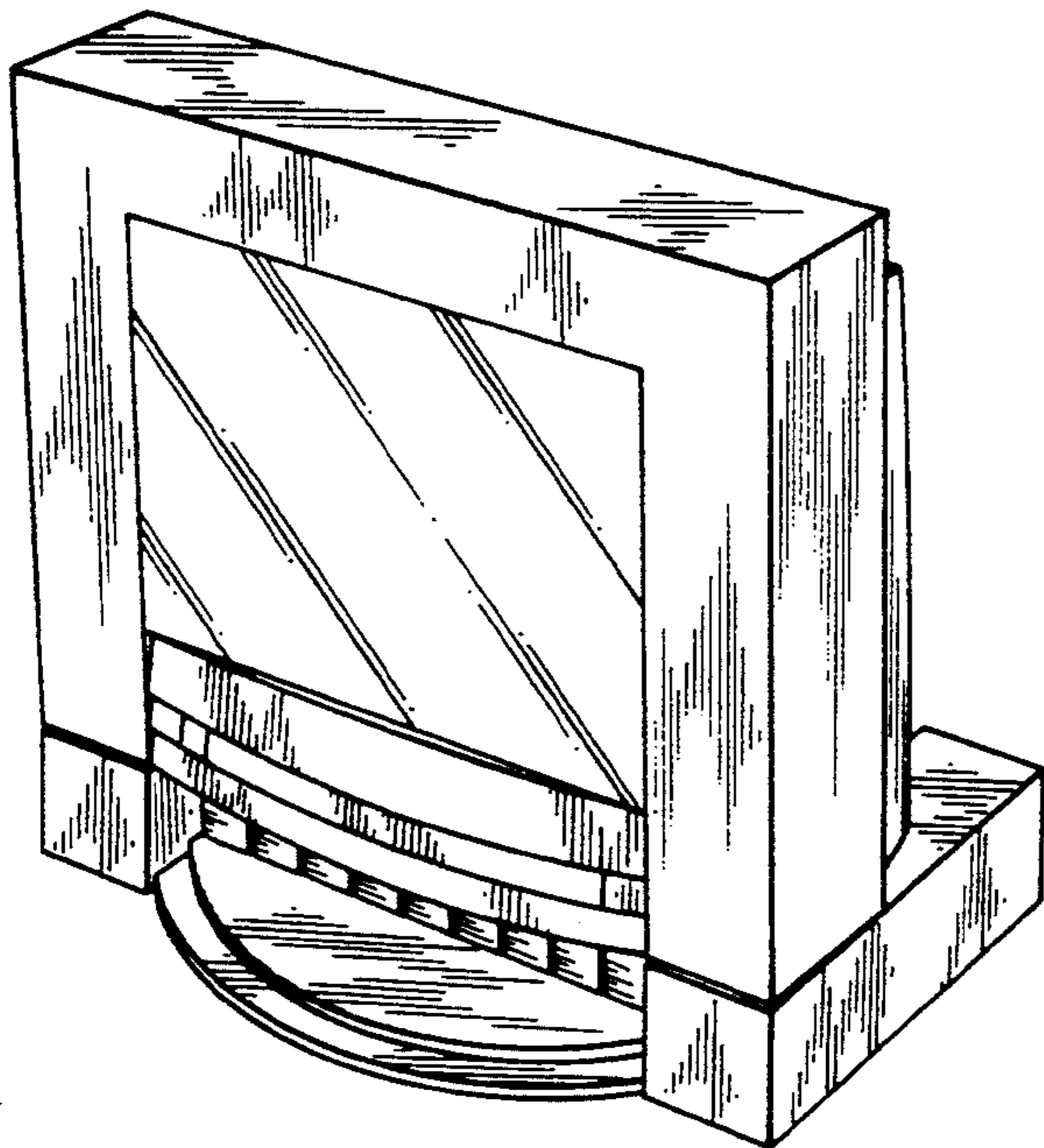
Primary Examiner—Freda S. Nunn
Attorney, Agent, or Firm—Sughrue, Mion, Zinn, Macpeak & Seas

[57] CLAIM

The ornamental design for a monitor for computer, as shown and described.

DESCRIPTION

FIG. 1 is a front, top and right side perspective view of a monitor for a computer showing our new design; FIG. 2 is a rear, top and right side perspective view thereof; FIG. 3 is a front elevational view thereof; FIG. 4 is a right side elevational view thereof the left side is a mirror image; FIG. 5 is a top plan view thereof; FIG. 6 is a rear elevational view thereof; and, FIG. 7 is a bottom plan view thereof.



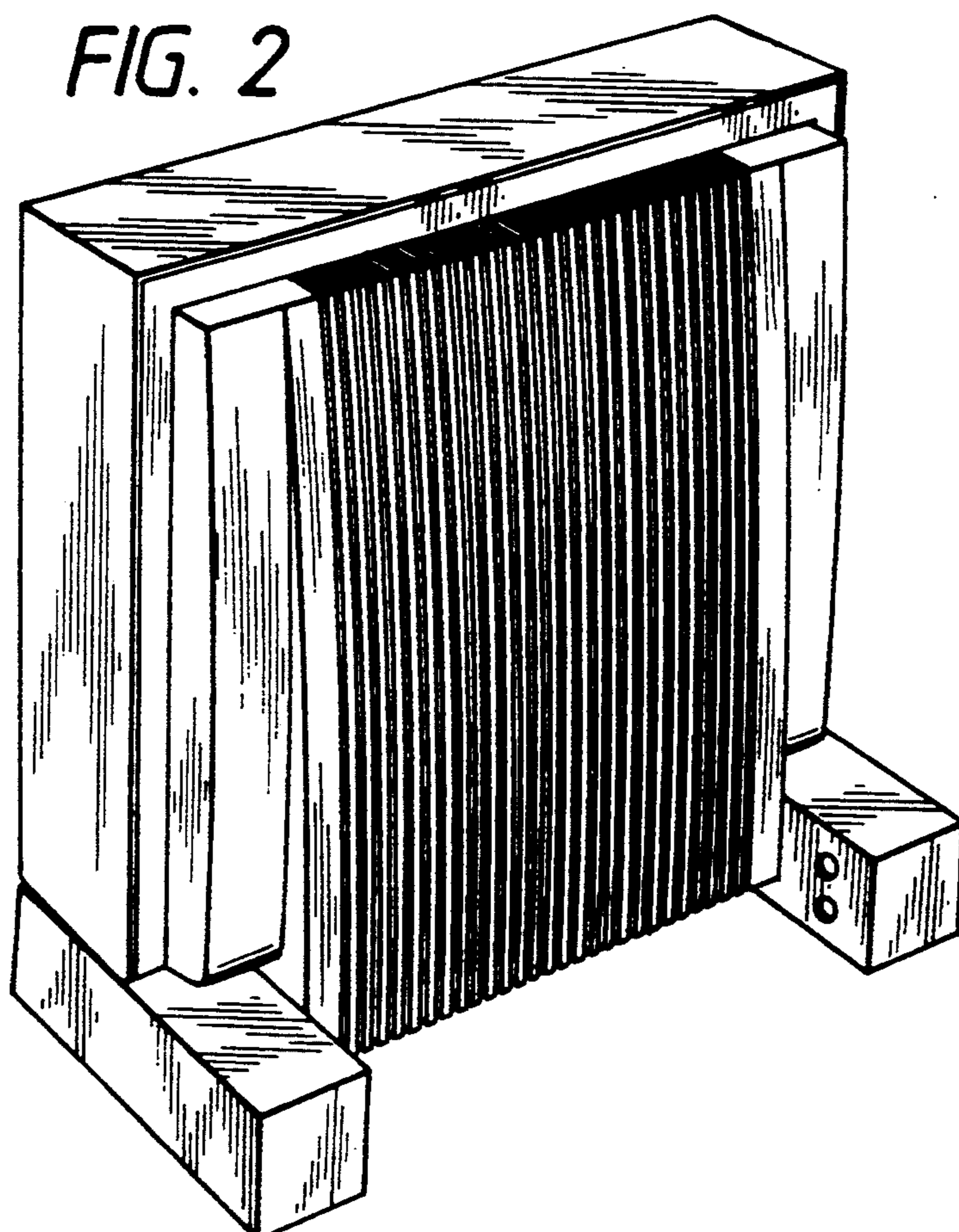
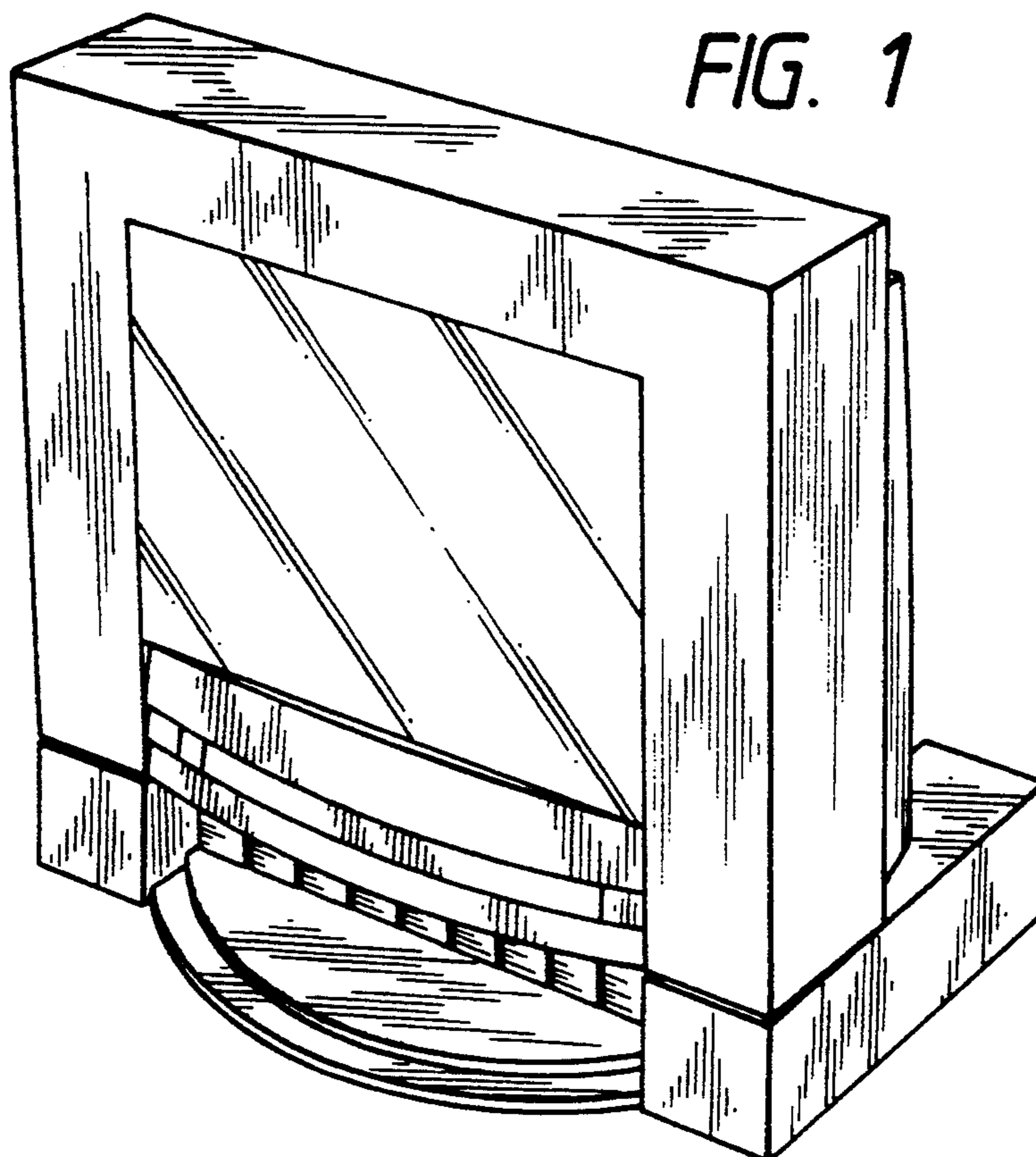


FIG. 3

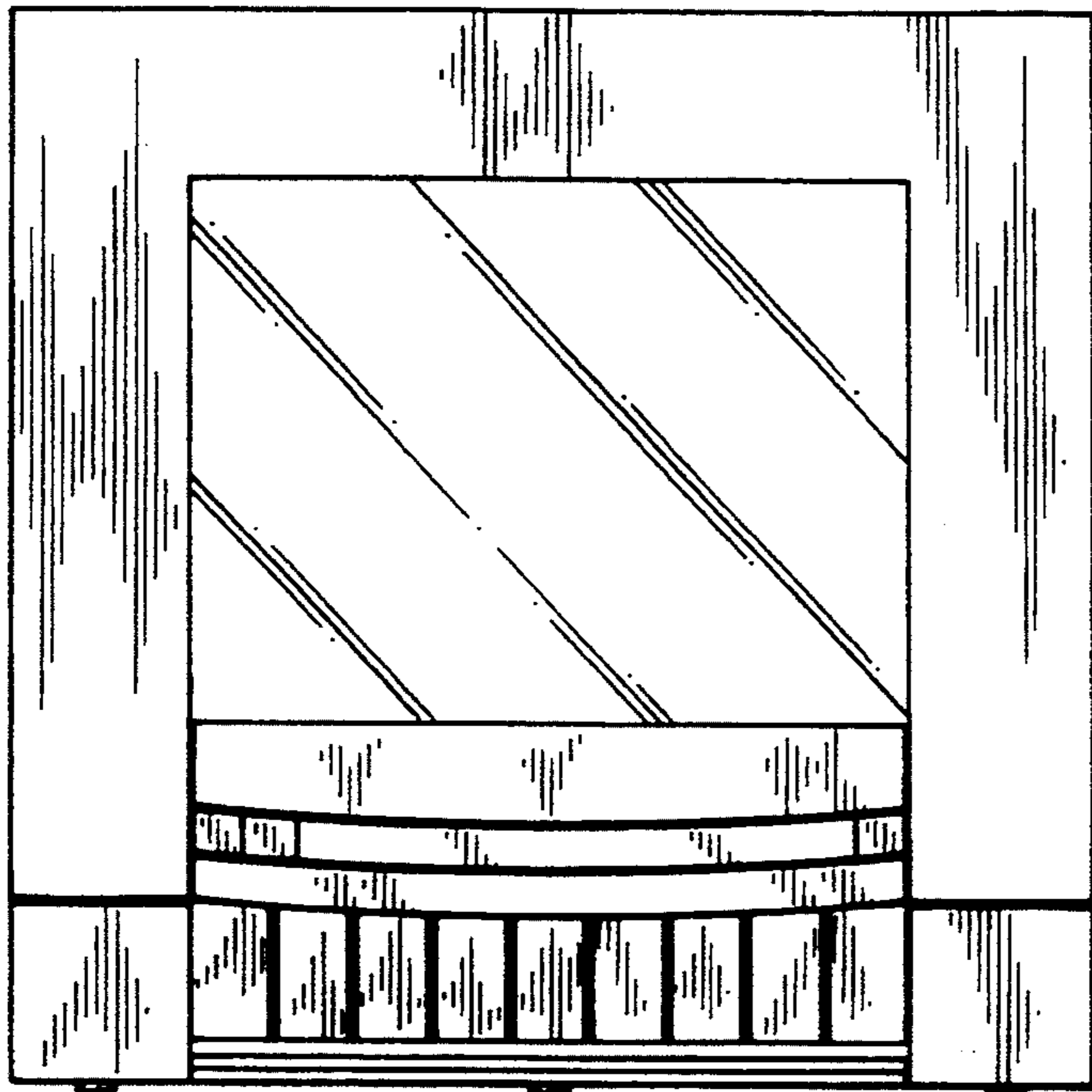


FIG. 4

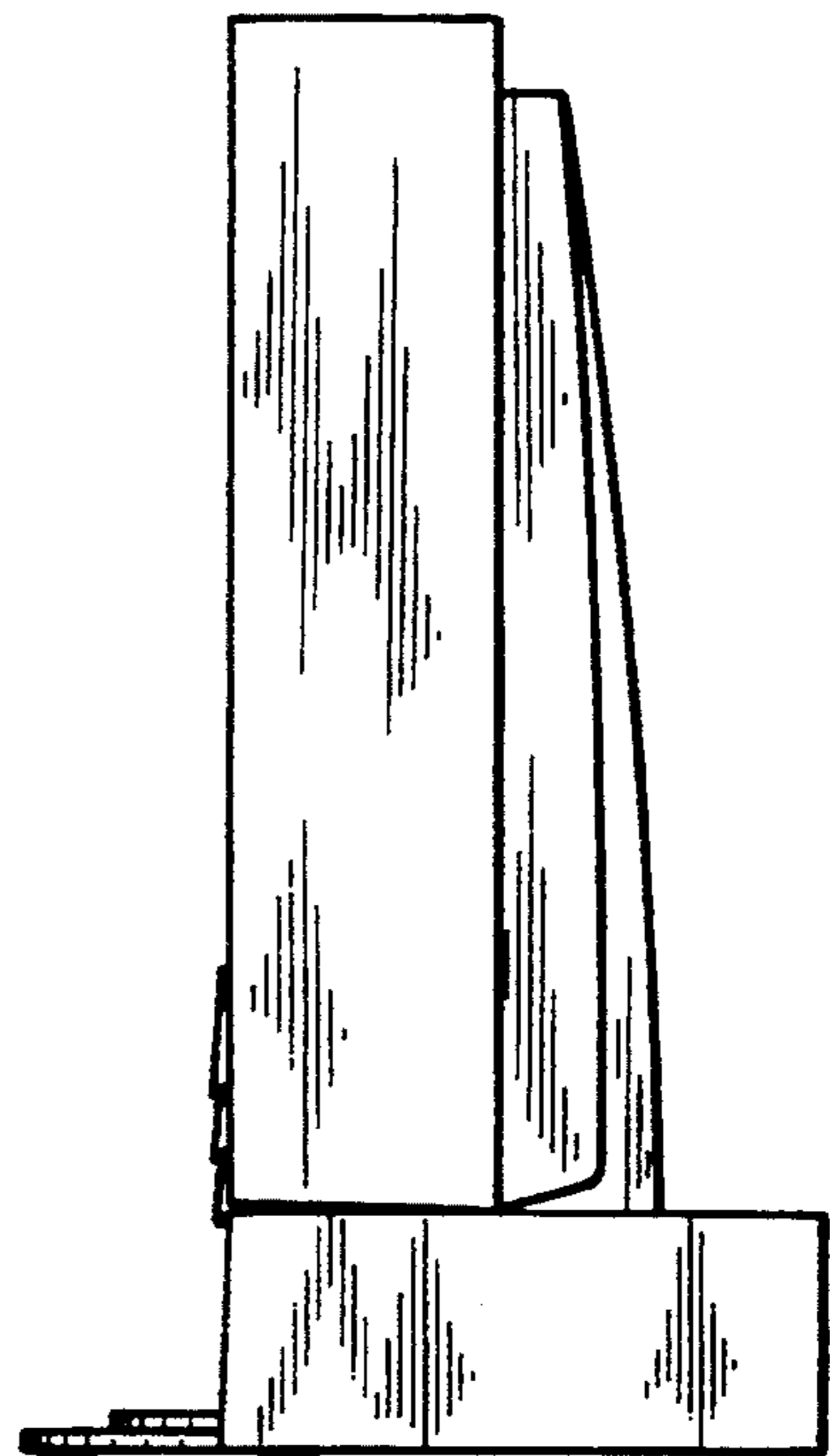


FIG. 5

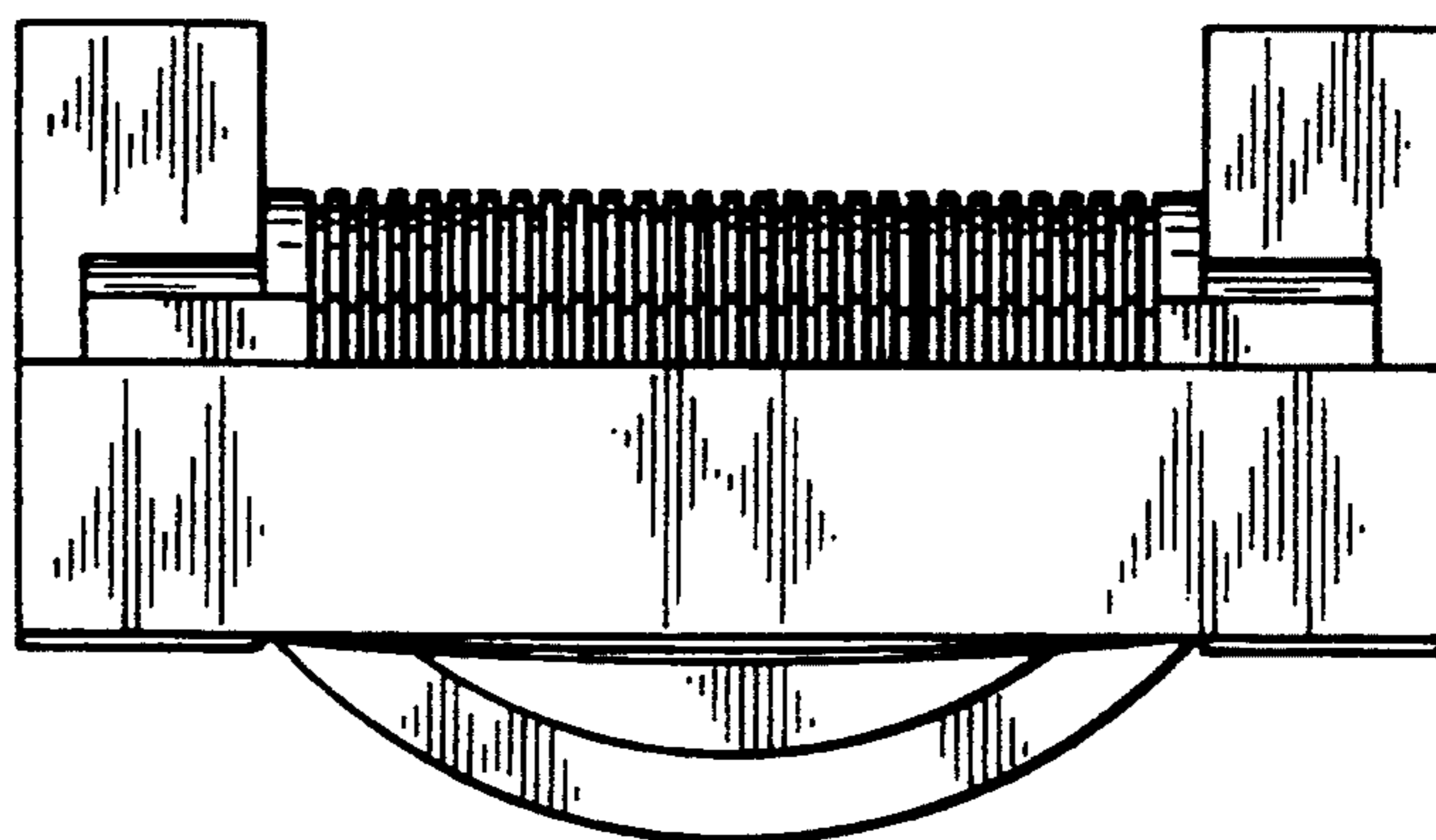


FIG. 6

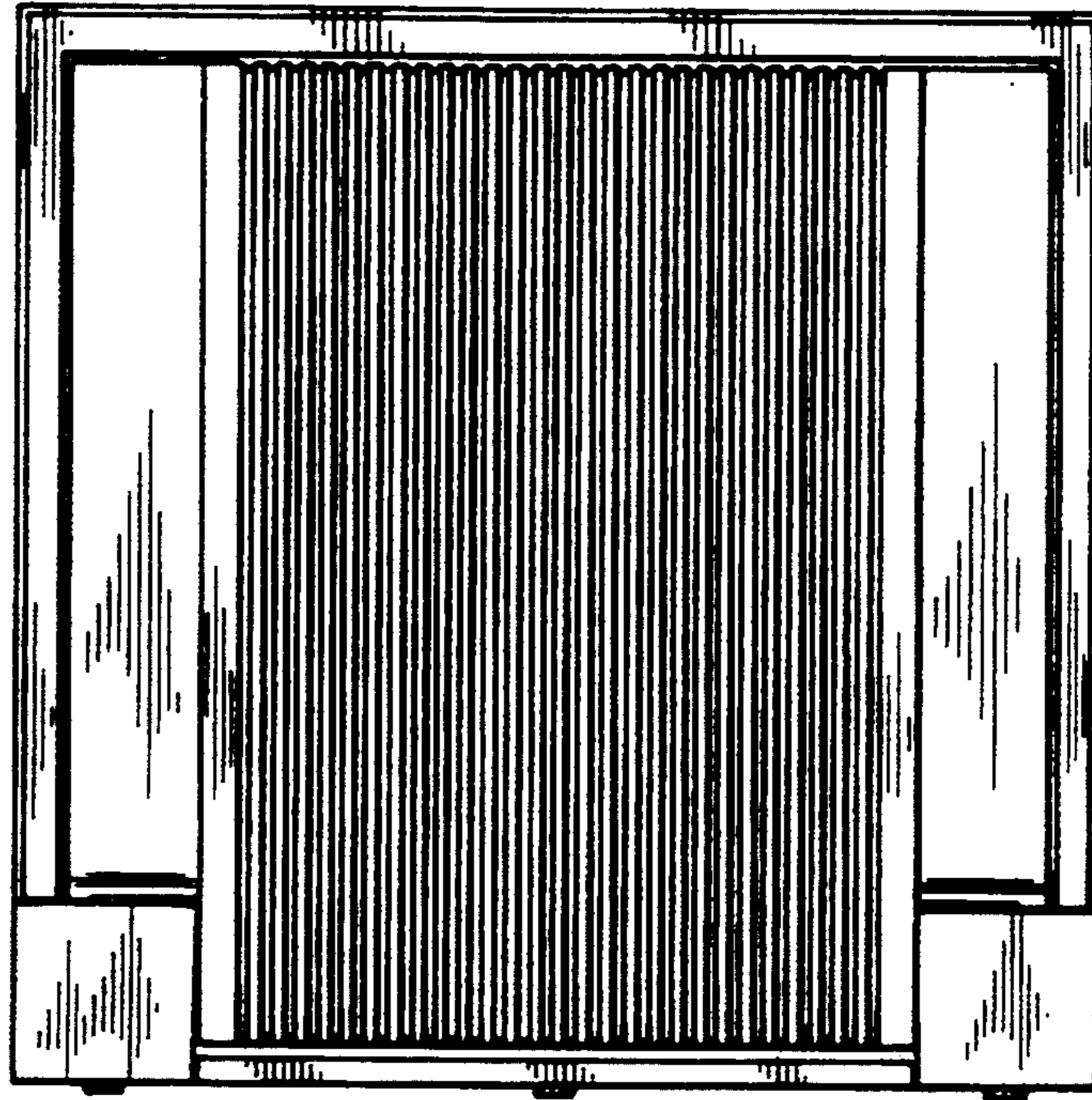


FIG. 7

