



US00D355642S

# United States Patent [19]

Marach et al.

[11] Patent Number: **Des. 355,642**

[45] Date of Patent: **\*\* Feb. 21, 1995**

[54] **FUSED ELECTRICAL POWER DISCONNECT**

[75] Inventors: **David R. Marach, Marengo; Conrad Alfaro, Chicago; Lawrence Happ, Mundelein, all of Ill.**

[73] Assignee: **Cooper Industries, Inc., Houston, Tex.**

[\*\*] Term: **14 Years**

[21] Appl. No.: **16,383**

[22] Filed: **Dec. 13, 1993**

3,806,845	4/1974	Zubaty et al. ....	361/102	X
4,654,743	3/1987	Ruehl et al. ....	361/119	X
4,958,254	9/1990	Kidd et al. ....	361/119	

### FOREIGN PATENT DOCUMENTS

0266966 12/1968 Germany ..... 337/10

*Primary Examiner*—Joel Sincavage  
*Attorney, Agent, or Firm*—Laff, Whitesel, Conte & Saret, Ltd.

### [57] CLAIM

The ornamental design for fused electrical power disconnect, as shown and described.

### DESCRIPTION

FIG. 1 is a front elevational view of a fused electrical power disconnect shown without the fuse holder; FIG. 2 is a right-hand-side elevation view thereof; FIG. 3 is a top plan view thereof; FIG. 4 is a left-hand-side elevation view thereof; FIG. 5 is a rear elevation view thereof; FIG. 6 is a bottom plan view thereof; FIG. 7 is a front and upper right perspective view thereof; and, FIG. 8 is a rear and lower left perspective view thereof.

### Related U.S. Application Data

[62] Division of Ser. No. 787,975, Nov. 5, 1991.

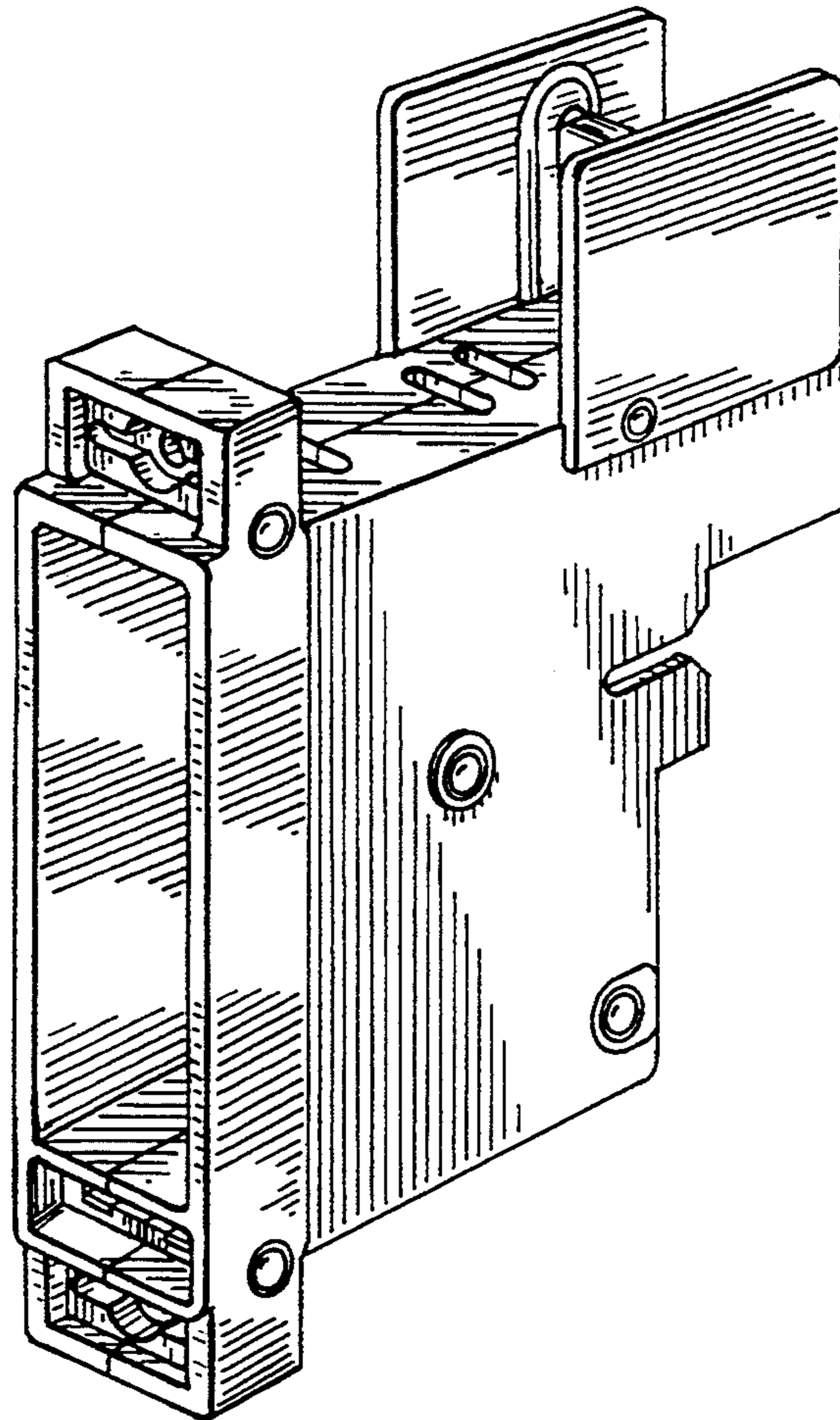
[52] U.S. Cl. .... **D13/160**

[58] Field of Search ..... **D13/160, 178, 158; 361/124, 186, 331, 348, 356, 102, 119; 337/4, 6, 10**

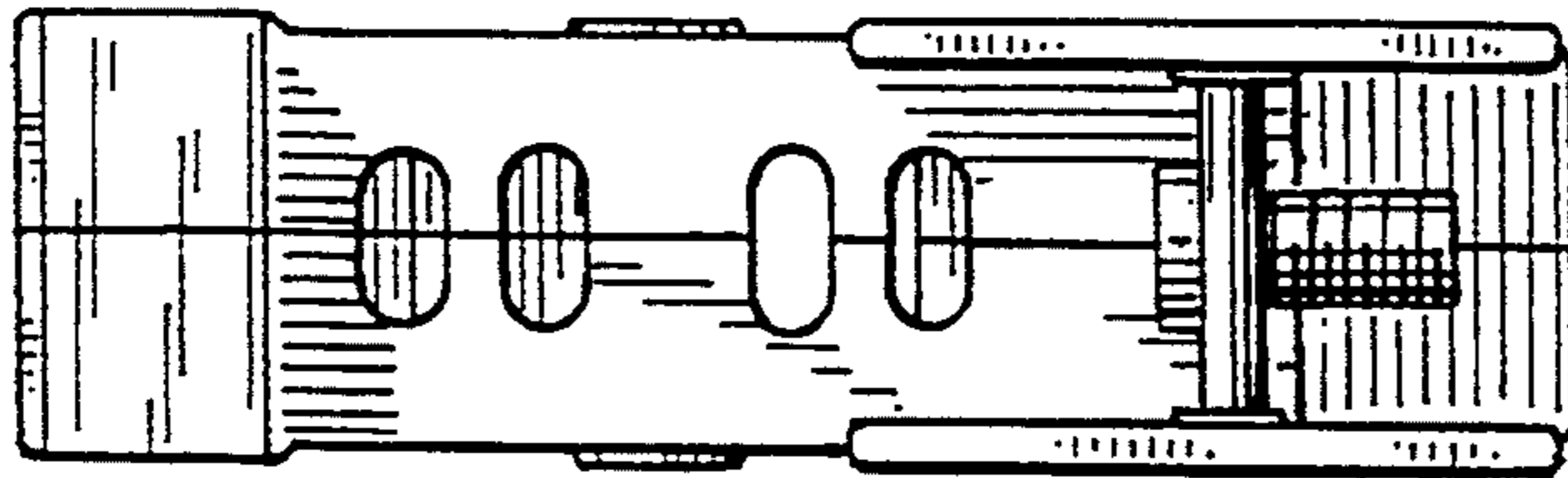
### [56] References Cited

#### U.S. PATENT DOCUMENTS

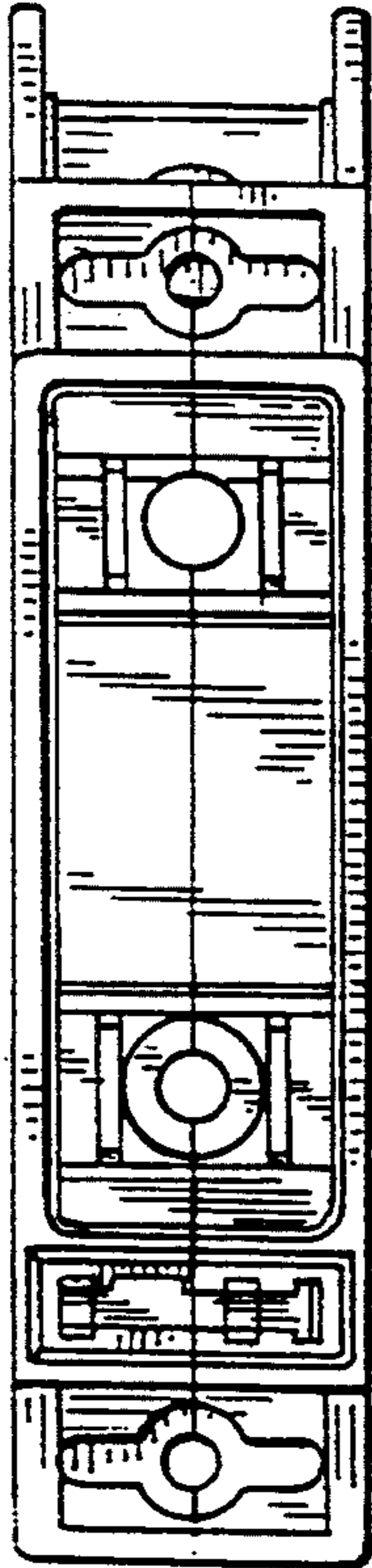
D. 313,397	1/1991	Wilcox .....	D13/158
D. 320,783	10/1991	Sharp et al. ....	D13/160



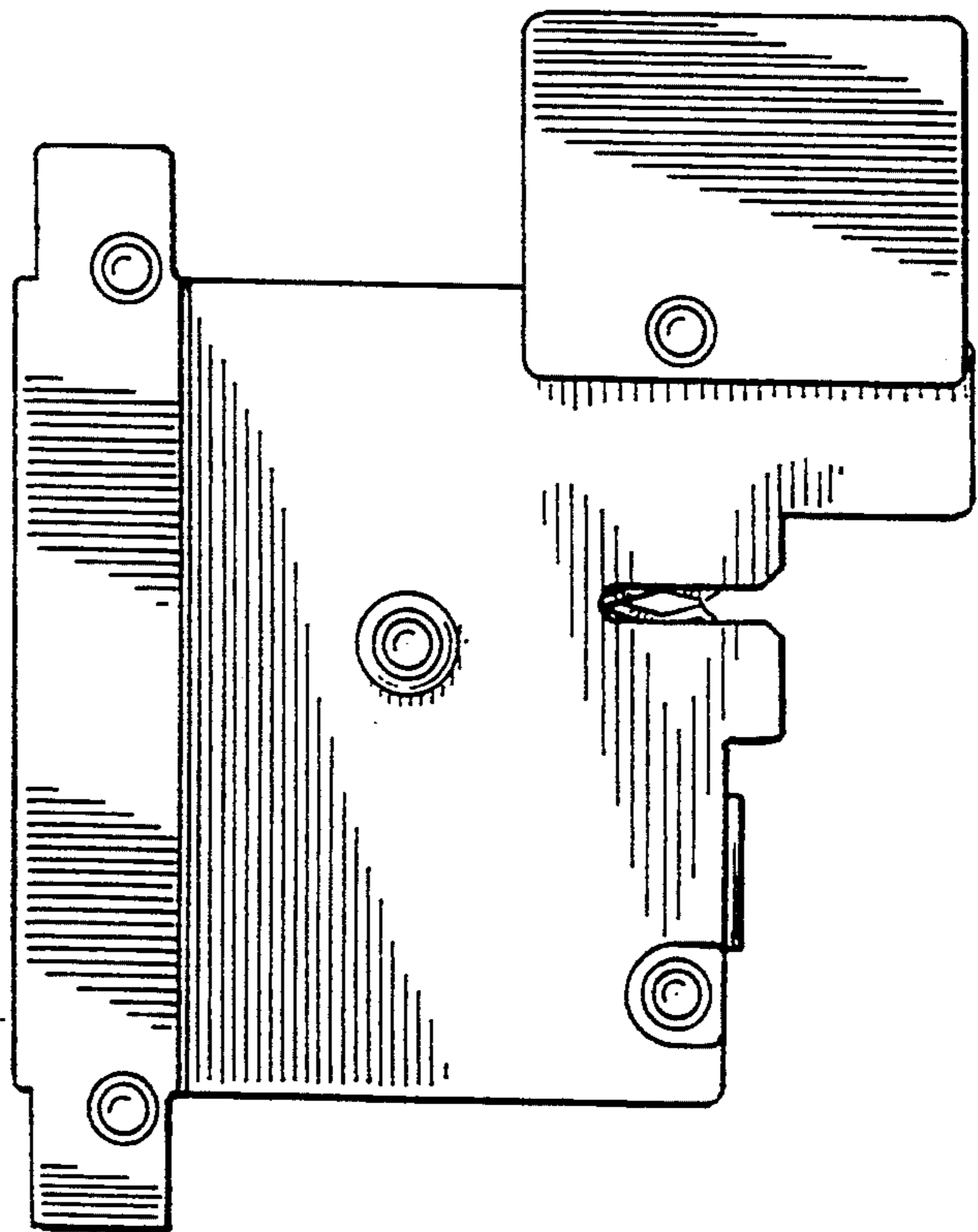
*Fig. 3*



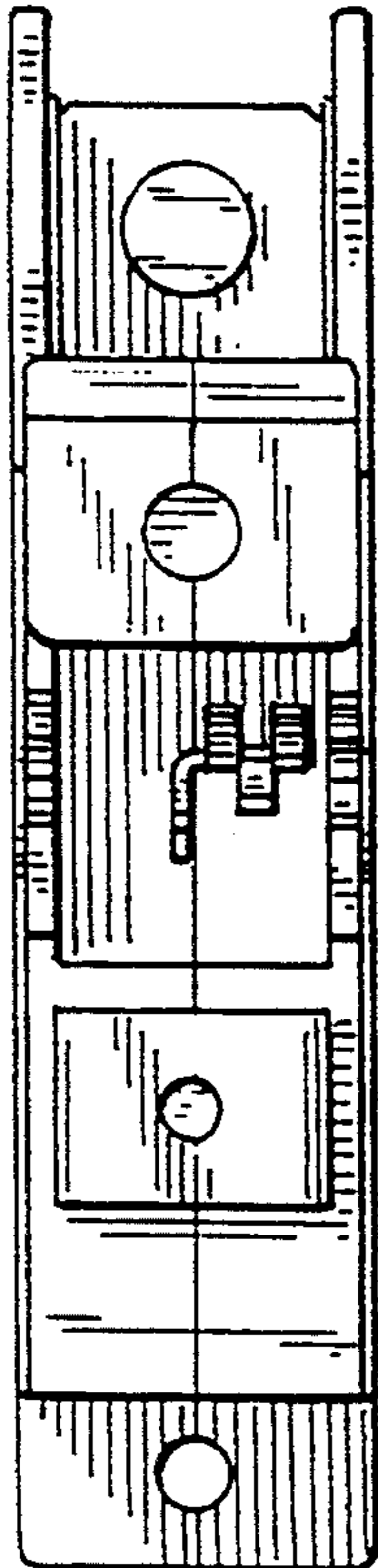
*Fig. 1*



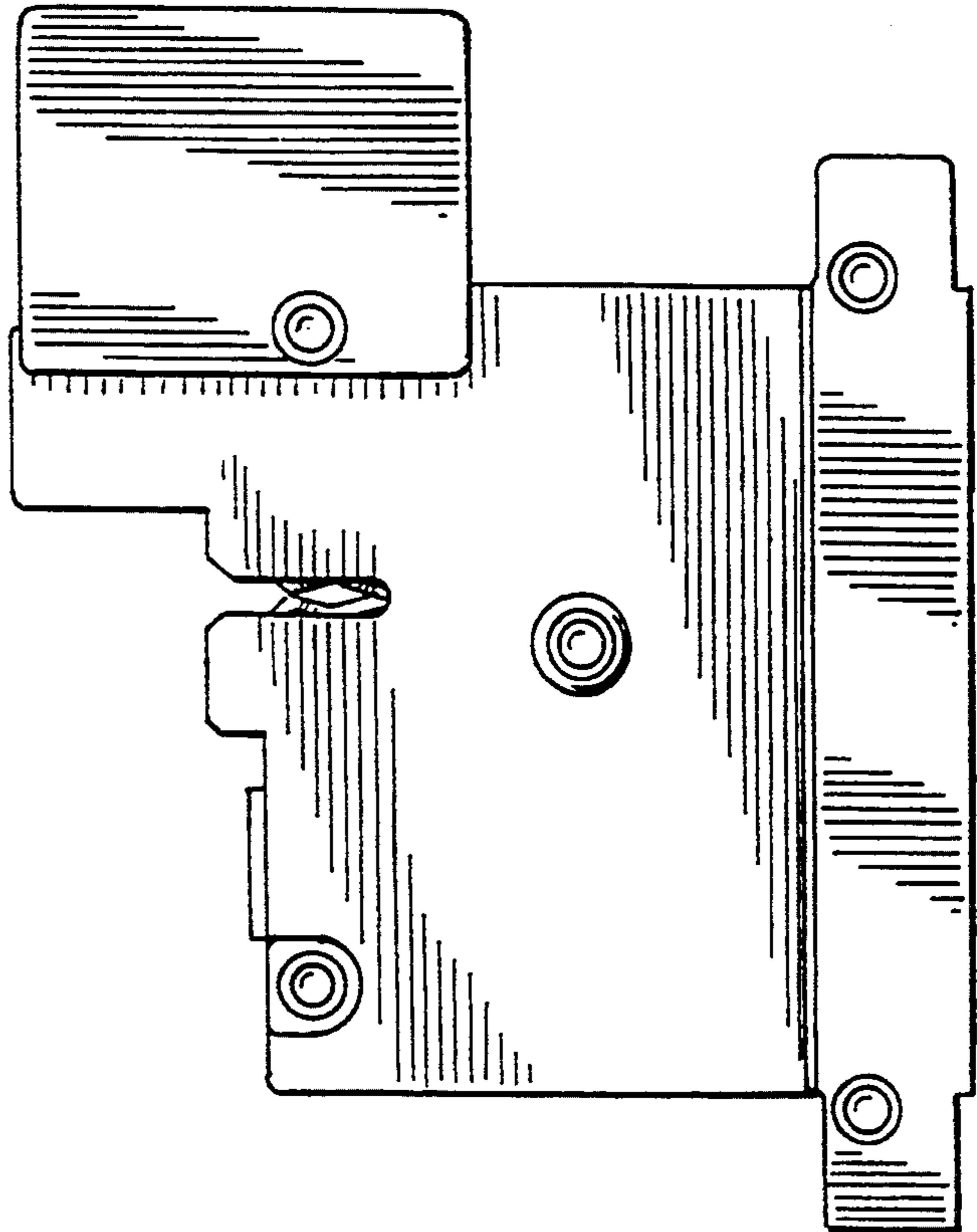
*Fig. 2*



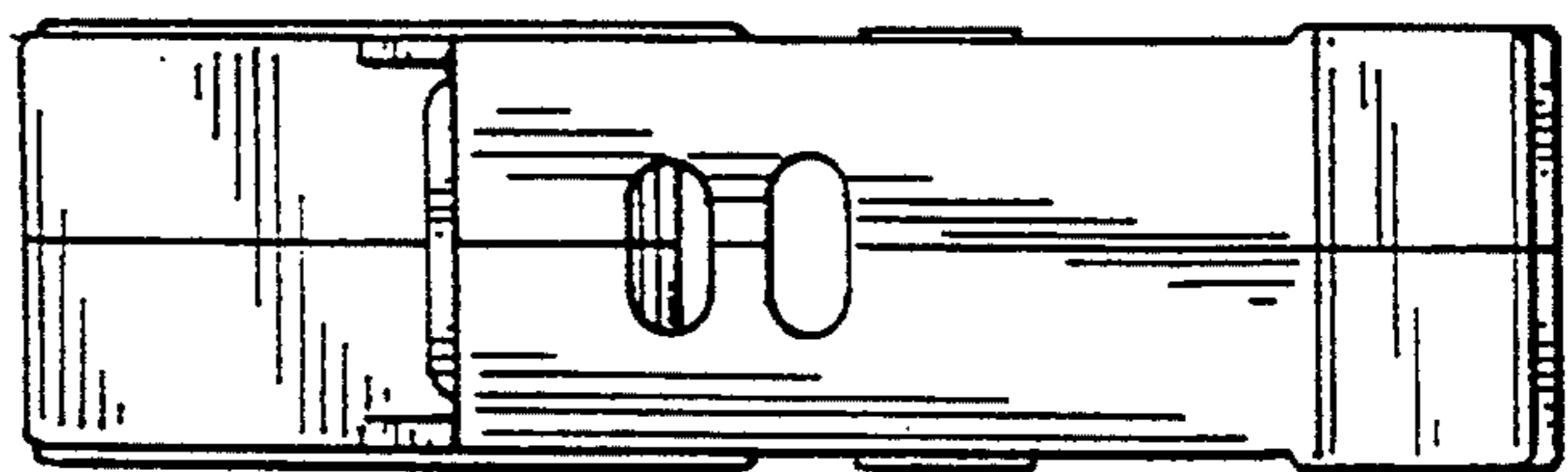
*Fig. 5*



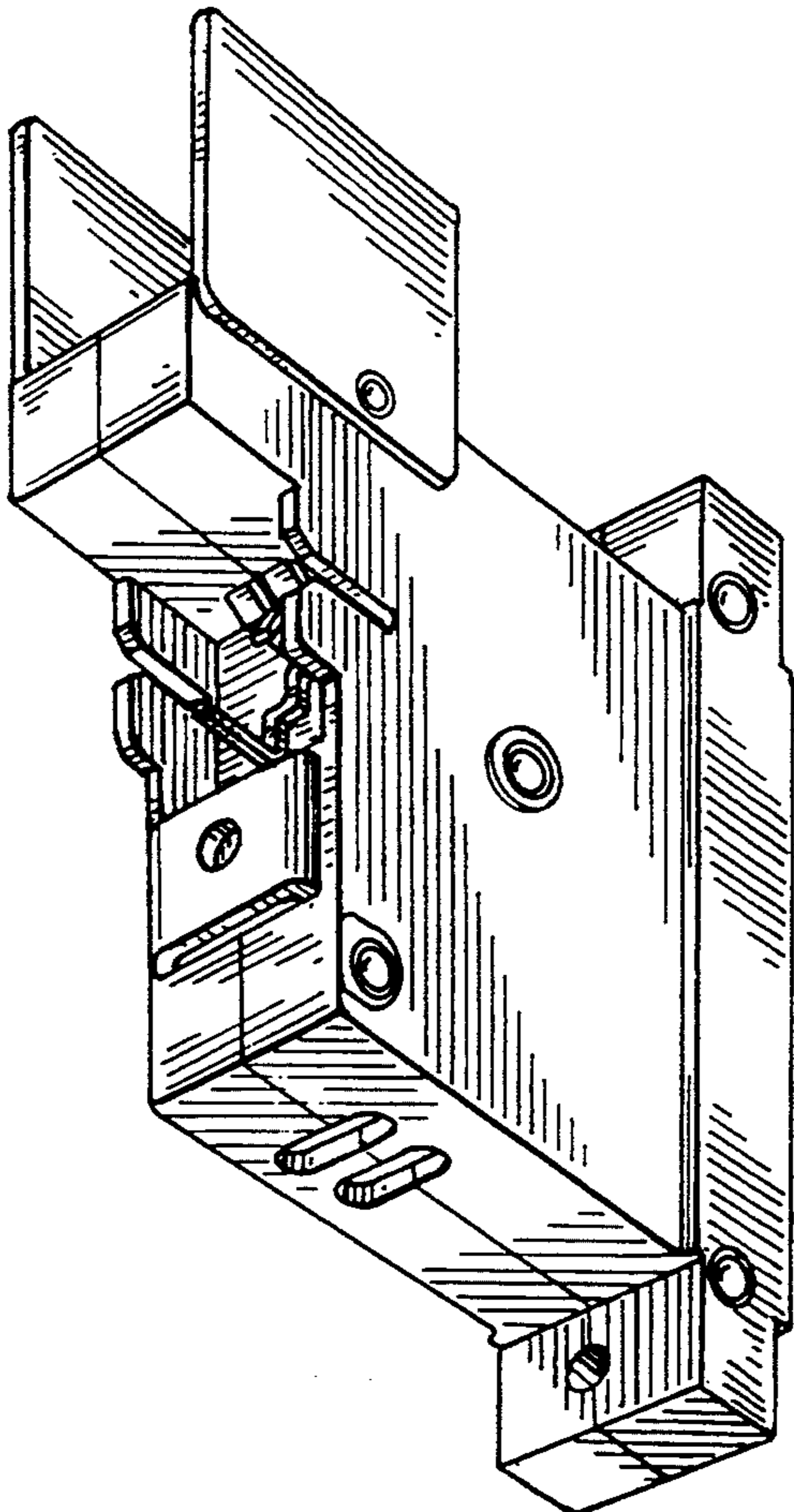
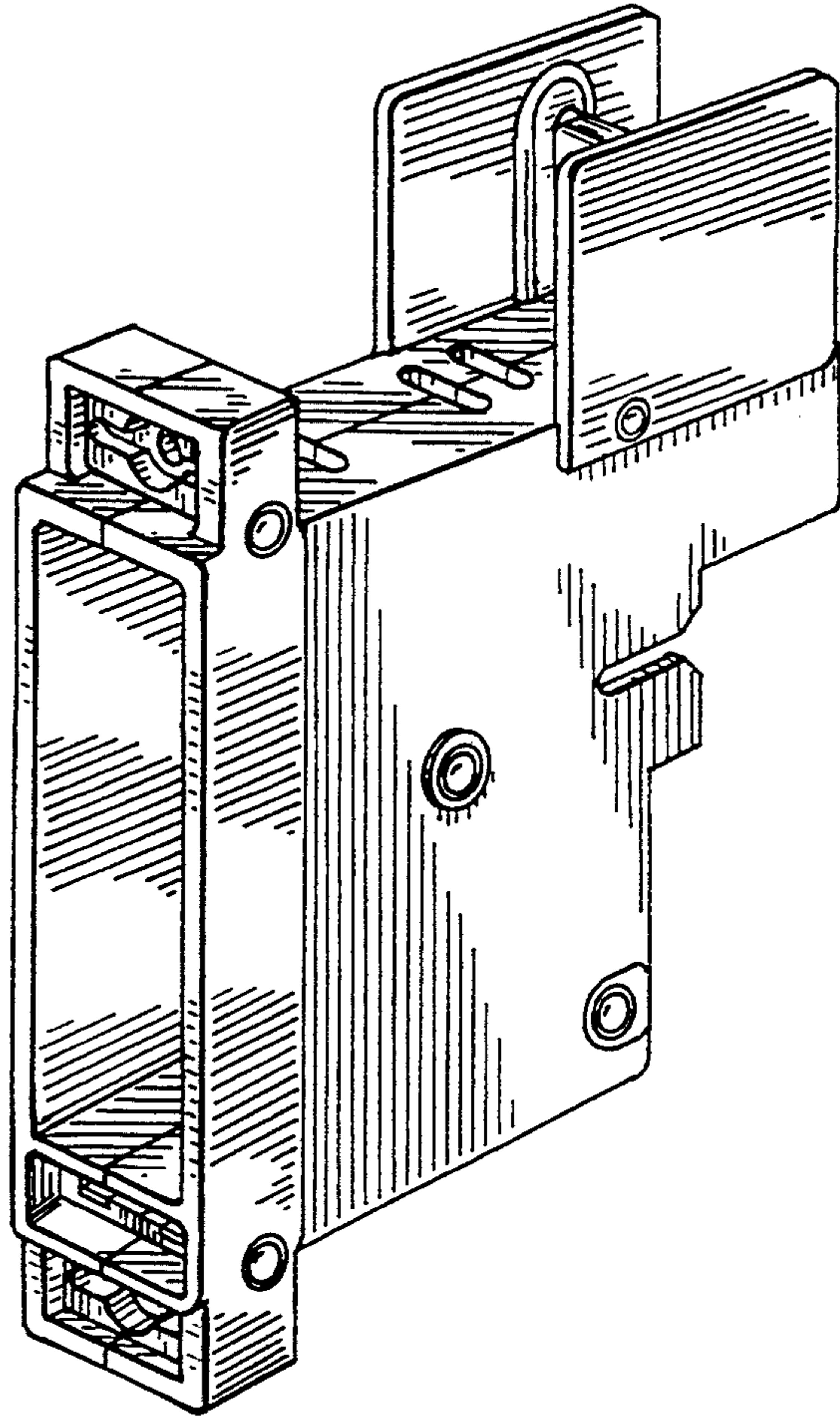
*Fig. 4*



*Fig. 6*



*Fig. 7*



*Fig. 8*