



US00D355639S

United States Patent [19]
Cheng

[11] **Patent Number: Des. 355,639**
[45] **Date of Patent: ** Feb. 21, 1995**

[54] **CABLE CONNECTOR**

[76] **Inventor: Yu-Feng Cheng, No. 7, Fu Hsing St.,
Tu Cheng Hsiang, Taipei Hsien,
Taiwan, Prov. of China**

[**] **Term: 14 Years**

[21] **Appl. No.: 13,777**

[22] **Filed: Oct. 1, 1993**

[52] **U.S. Cl. D13/133**

[58] **Field of Search D13/133; 439/613, 660,
439/668, 669, 675**

[56] **References Cited**

U.S. PATENT DOCUMENTS

D. 317,293	6/1991	Brisson	D13/133
3,978,581	9/1976	Miura	439/675 X
4,129,352	12/1978	Iizuka	439/675
5,183,411	2/1993	Yu	439/675 X

FOREIGN PATENT DOCUMENTS

89168 4/1989 Japan 439/660

OTHER PUBLICATIONS

Connectors on p. 106 of *Radio Shack* catalog ©1990 (2 sheets).

Connectors on p. 168 of *MCM Electronics* catalog No. 27 ©1990.

Primary Examiner—Joel Sincavage

Attorney, Agent, or Firm—Rogers, Howell & Haferkamp

[57] **CLAIM**

The ornamental design for a cable connector, as shown.

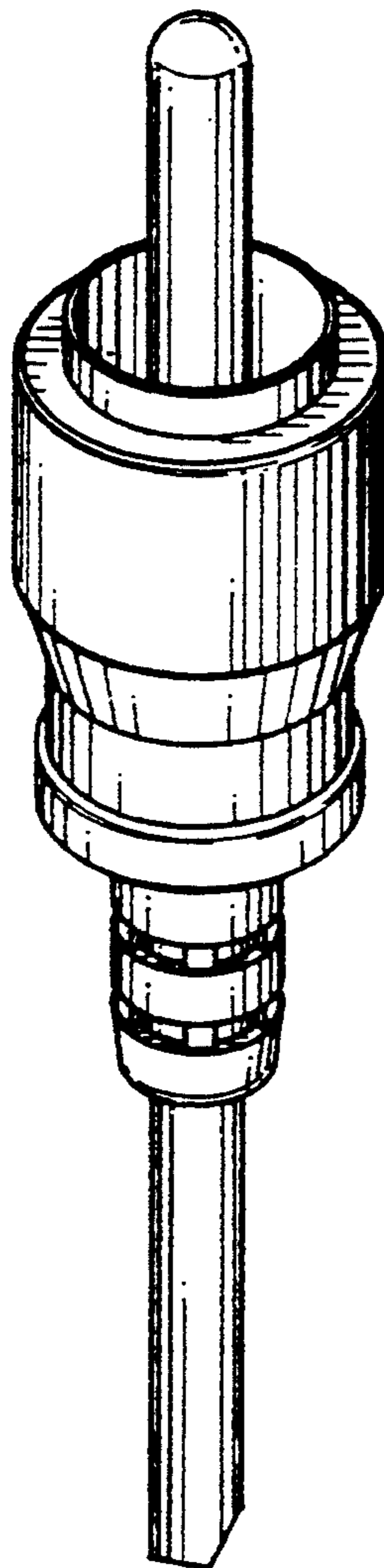
DESCRIPTION

FIG. 1 is a front-right-top perspective view of a cable connector, showing my new design;

FIG. 2 is an elevation thereof;

FIG. 3 is a top view thereof; and,

FIG. 4 is a bottom view thereof.



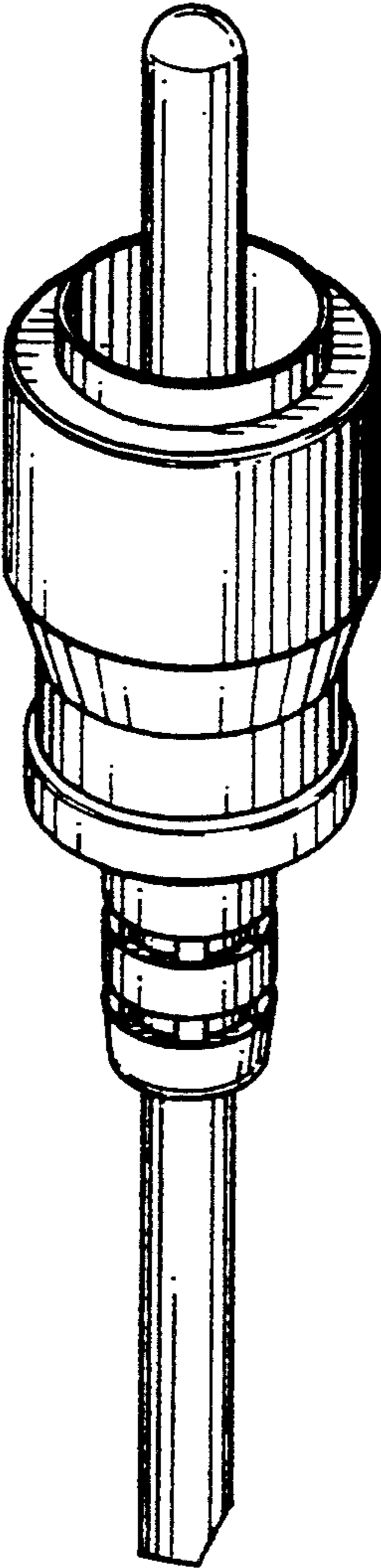


FIG. 1

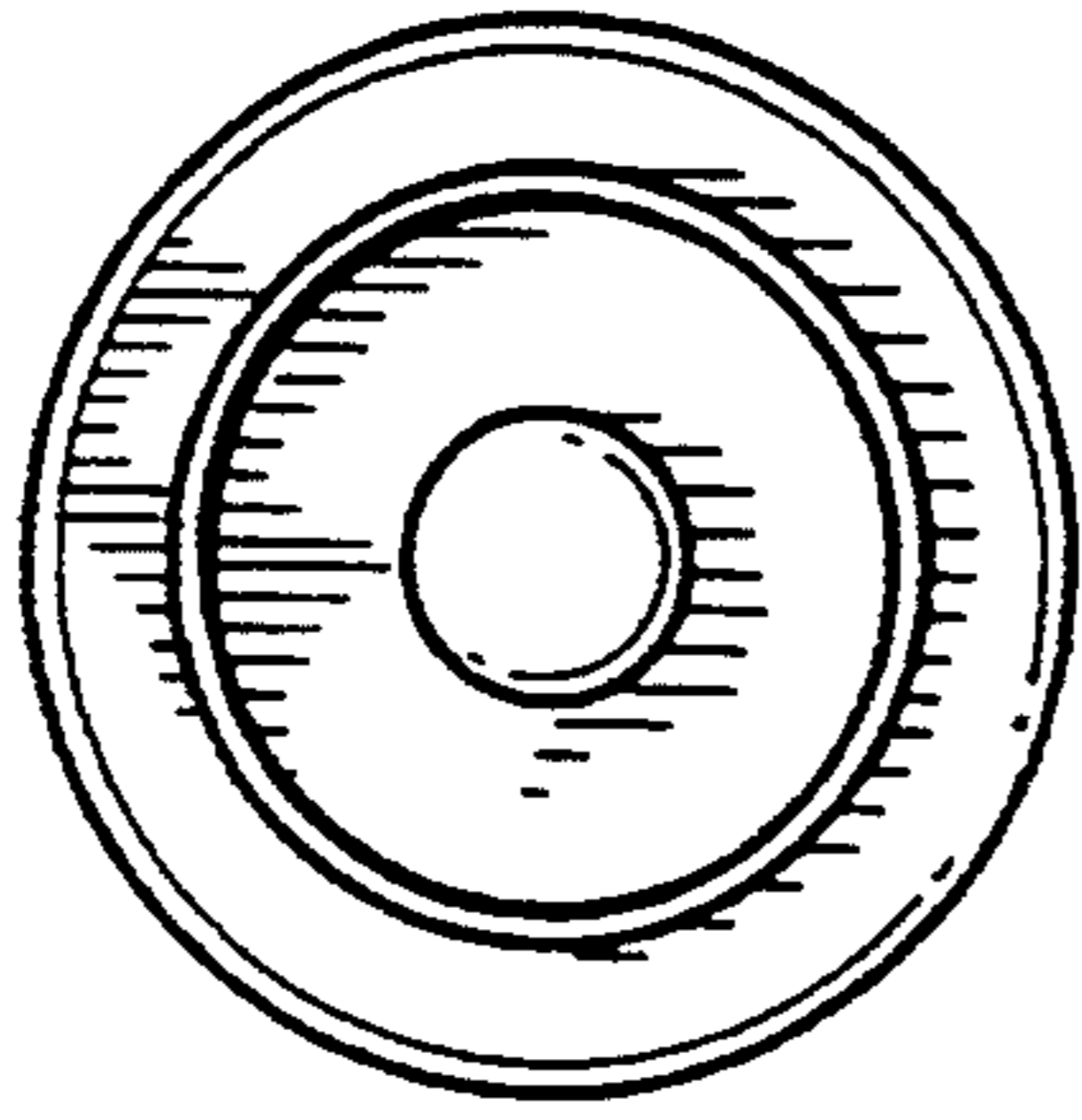


FIG. 3

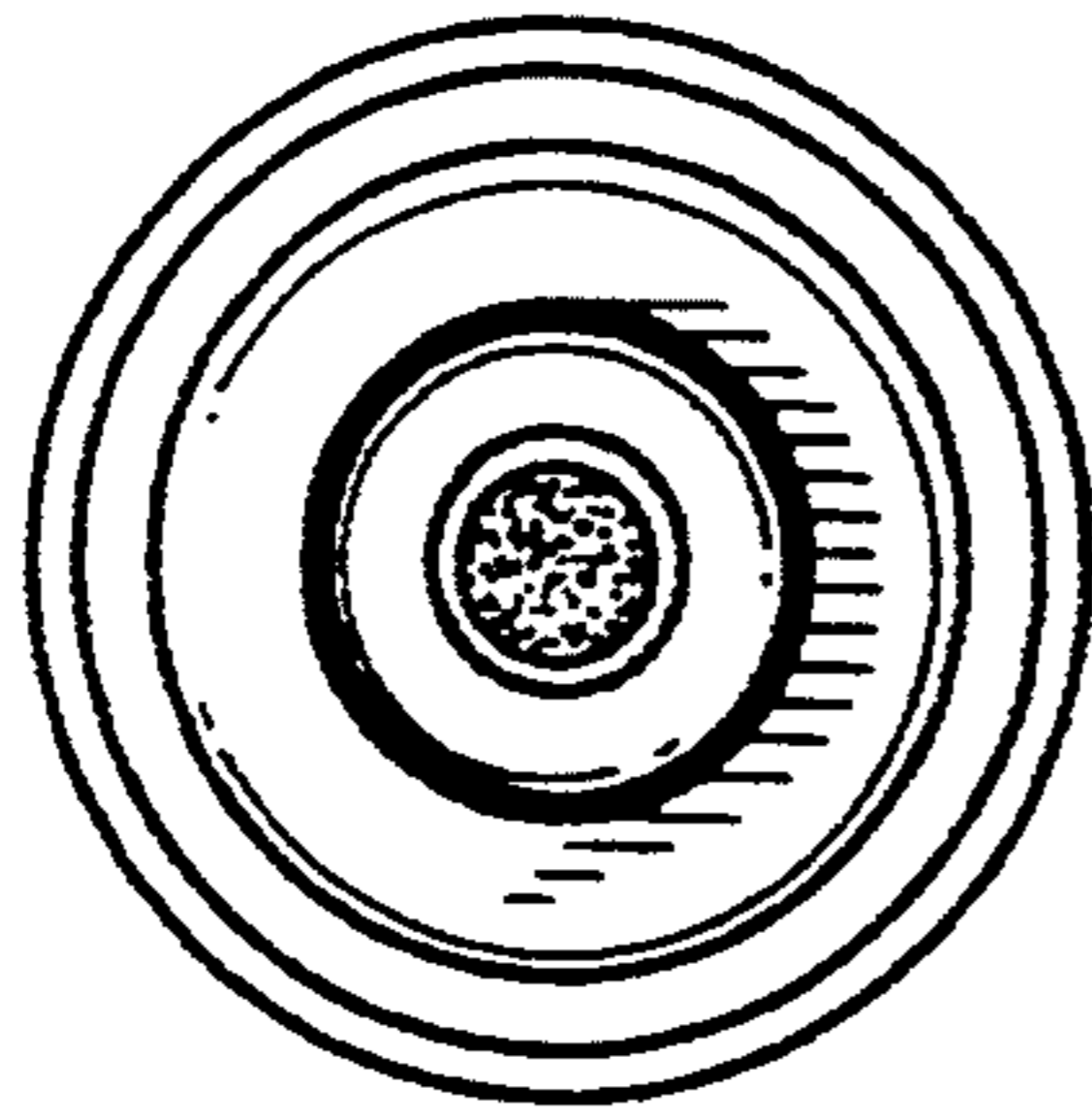


FIG. 4

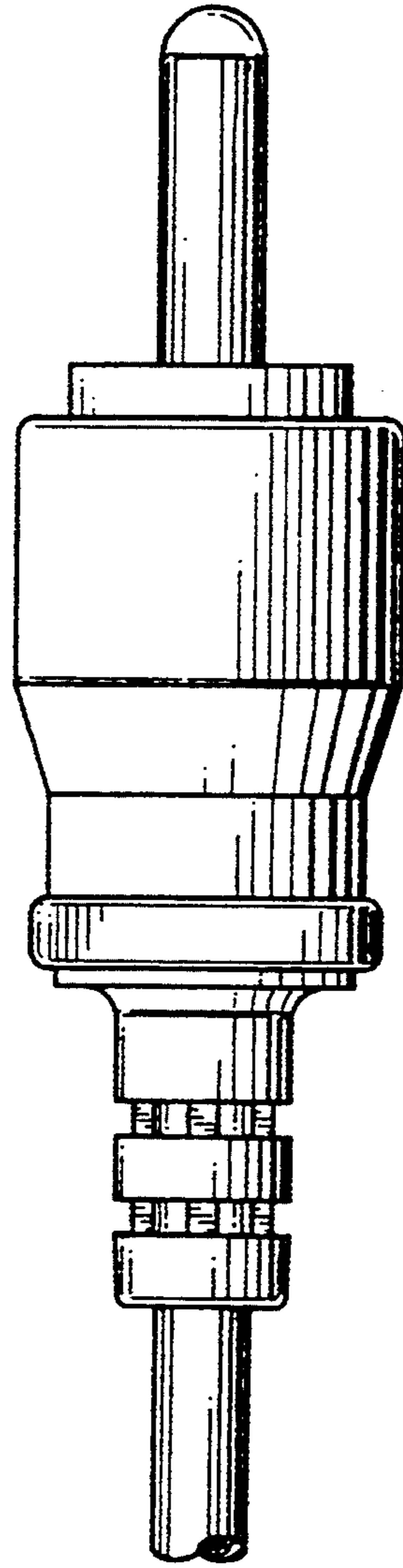


FIG. 2