



US00D355638S

United States Patent [19]

[11] Patent Number: **Des. 355,638**

Hodge et al.

[45] Date of Patent: **** Feb. 21, 1995**

[54] **PORTABLE CAPACITIVE DISCHARGE BLASTING UNIT**

5,142,982 9/1992 Diepold et al. 102/202.5

[76] Inventors: **Ronald L. Hodge**, 1262 Providence Way, Lawrenceville, Ga. 30245; **John P. Nodine**, 1395 Hearst Ave., NE., Atlanta, Ga. 30319; **Wayne Anderson, Jr.**, 790 Winnbrook Dr., Dacula, Ga. 30211

Primary Examiner—Alan P. Douglas
Assistant Examiner—Antoine D. Davis
Attorney, Agent, or Firm—Wayne Anderson, Jr.

[57] **CLAIM**

The ornamental design for a portable capacitive discharge blasting unit, as shown and described.

[**] Term: **13 Years**

DESCRIPTION

[21] Appl. No.: **7,782**

FIG. 1 is a front elevational view of a portable capacitive blasting unit in accordance with the present design; FIG. 2 is a bottom plan view of said portable capacitive discharge blasting unit; FIG. 3 is a rear elevational view of said portable capacitive discharge blasting unit; FIG. 4 is a top plan view of said portable capacitive discharge blasting unit; FIG. 5 is a right side elevational view of said portable capacitive discharge blasting unit; FIG. 6 is a left side elevational view of said portable capacitive discharge blasting unit; and, FIG. 7 is a perspective view of said portable capacitive discharge blasting unit.

[22] Filed: **May 3, 1993**

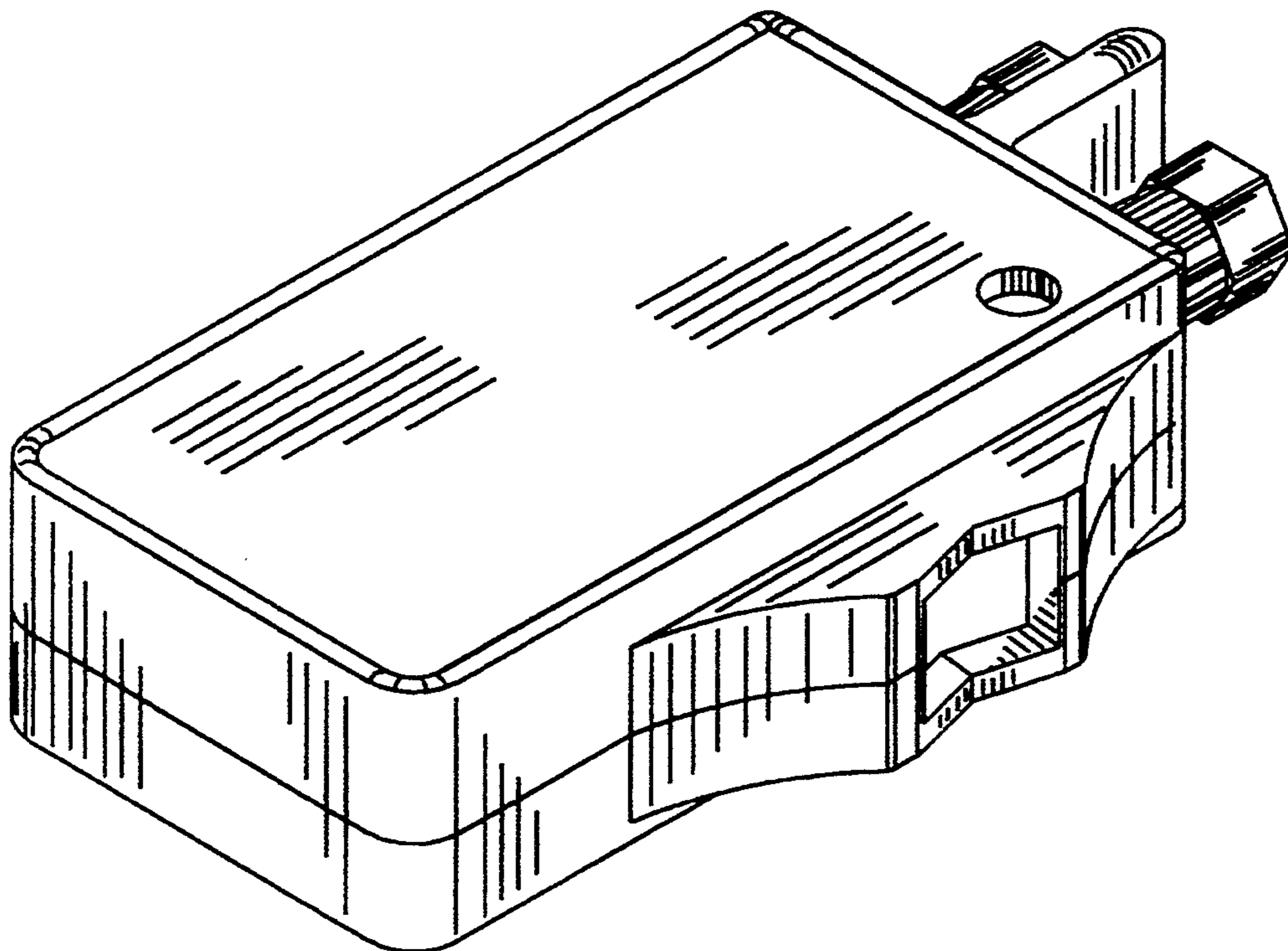
[52] U.S. Cl. **D13/125; D13/168**

[58] Field of Search **D13/125, 168; 102/202.2, 202.5, 202.7, 206, 218; 321/1; 361/251**

[56] **References Cited**

U.S. PATENT DOCUMENTS

- D. 340,692 10/1993 Iijima et al. D13/125
- 4,881,463 11/1989 Ninio et al. 102/202.5 X
- 5,052,301 10/1991 Walker 102/202.5 X



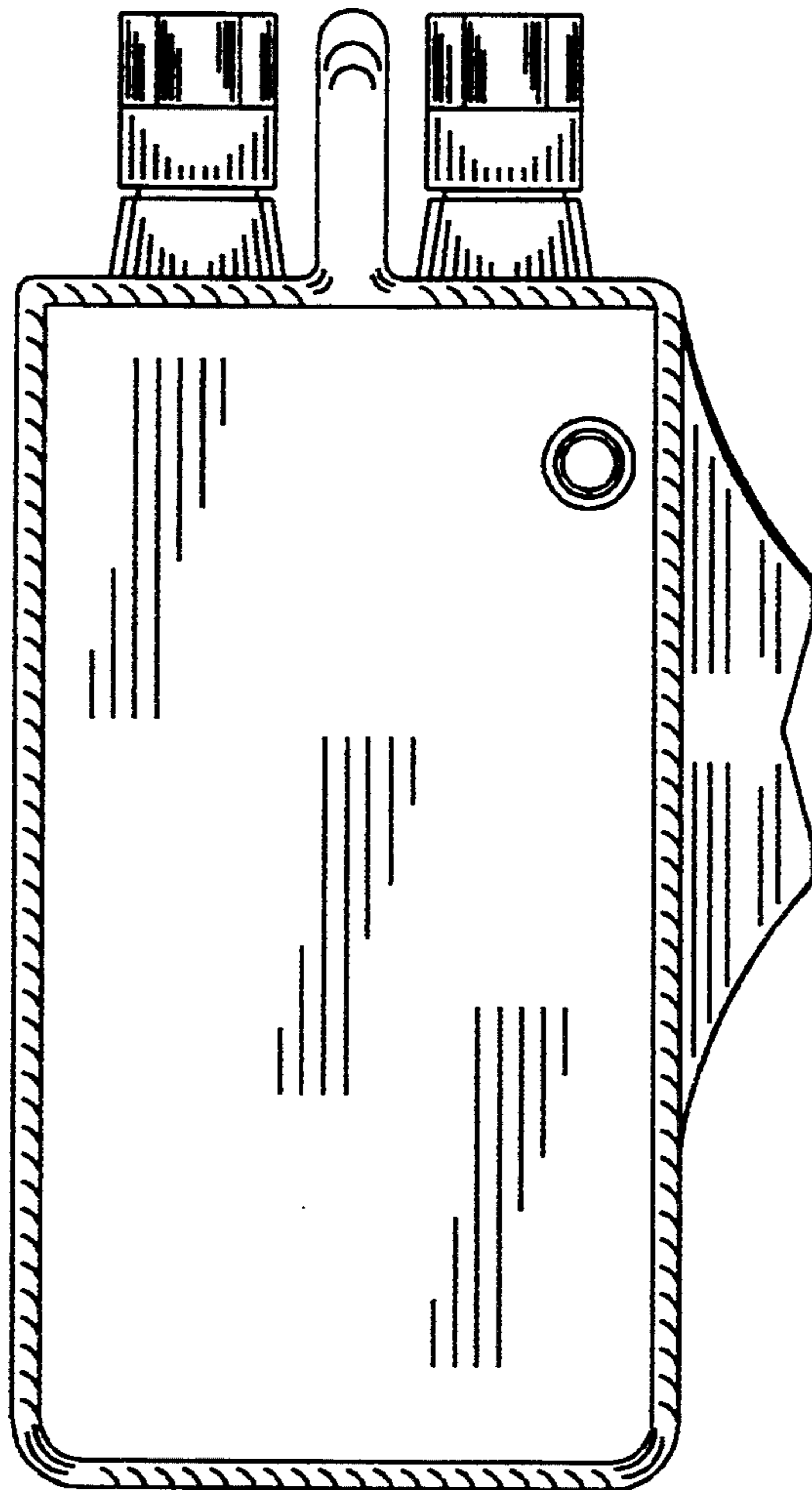


FIGURE 1

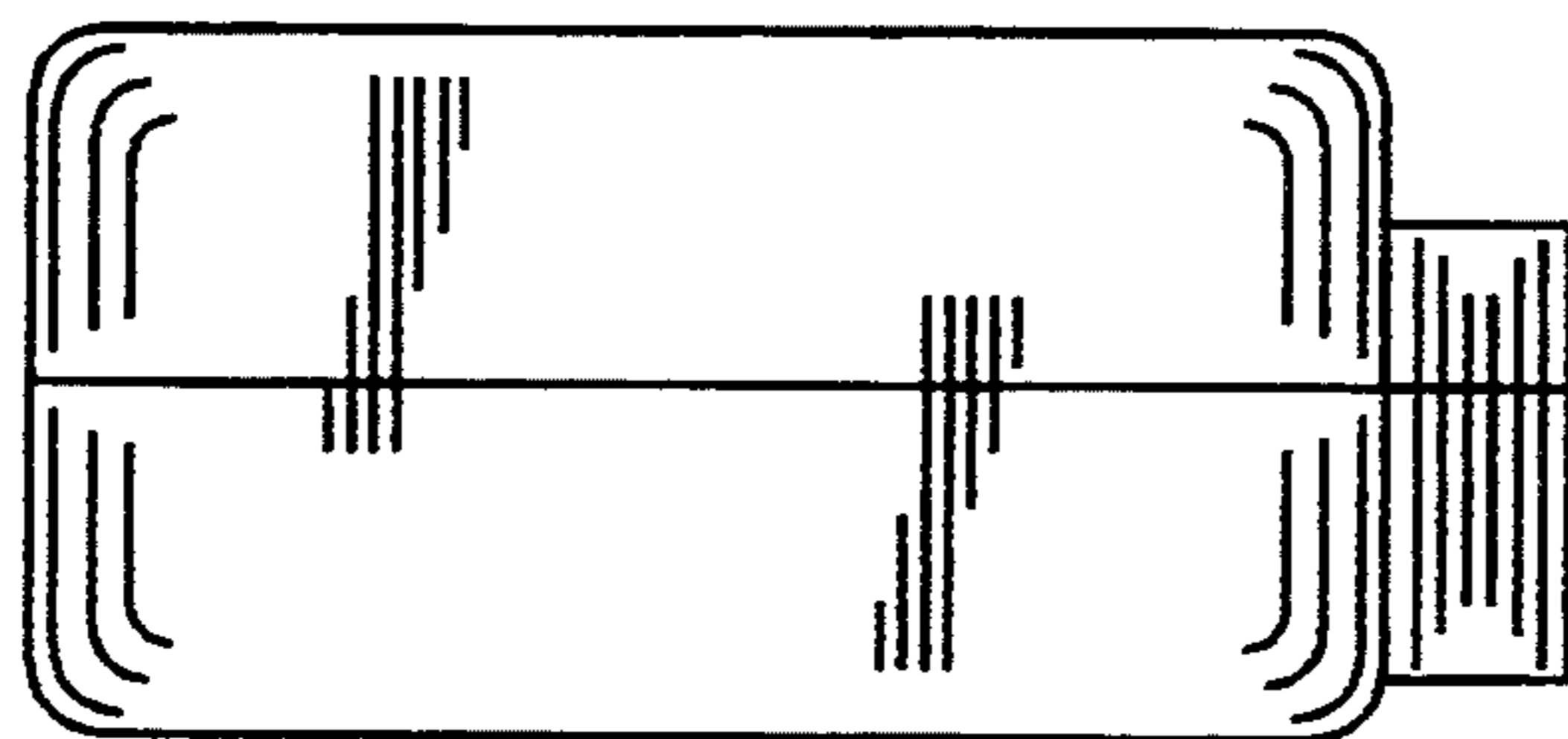


FIGURE 2

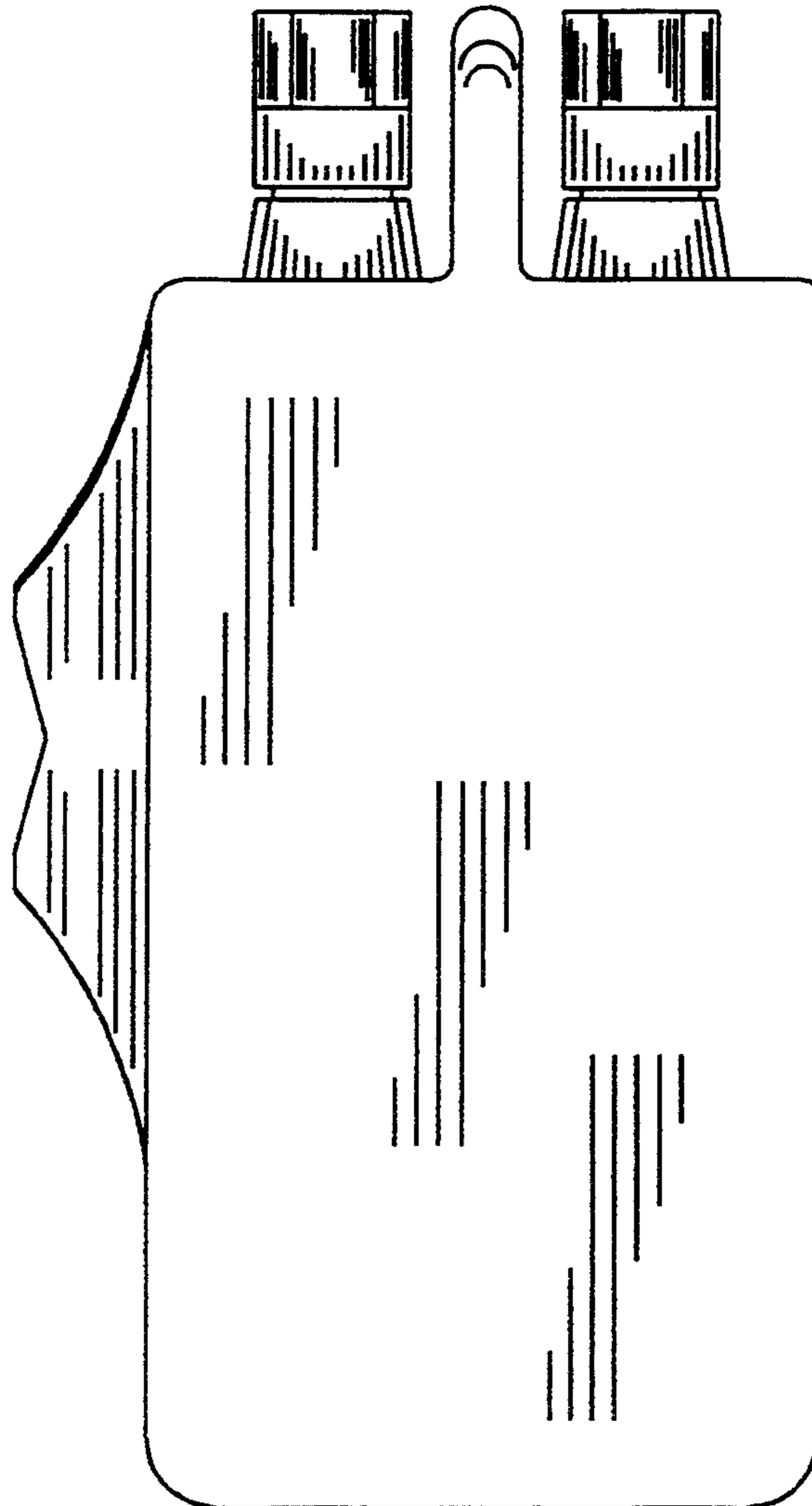


FIGURE 3

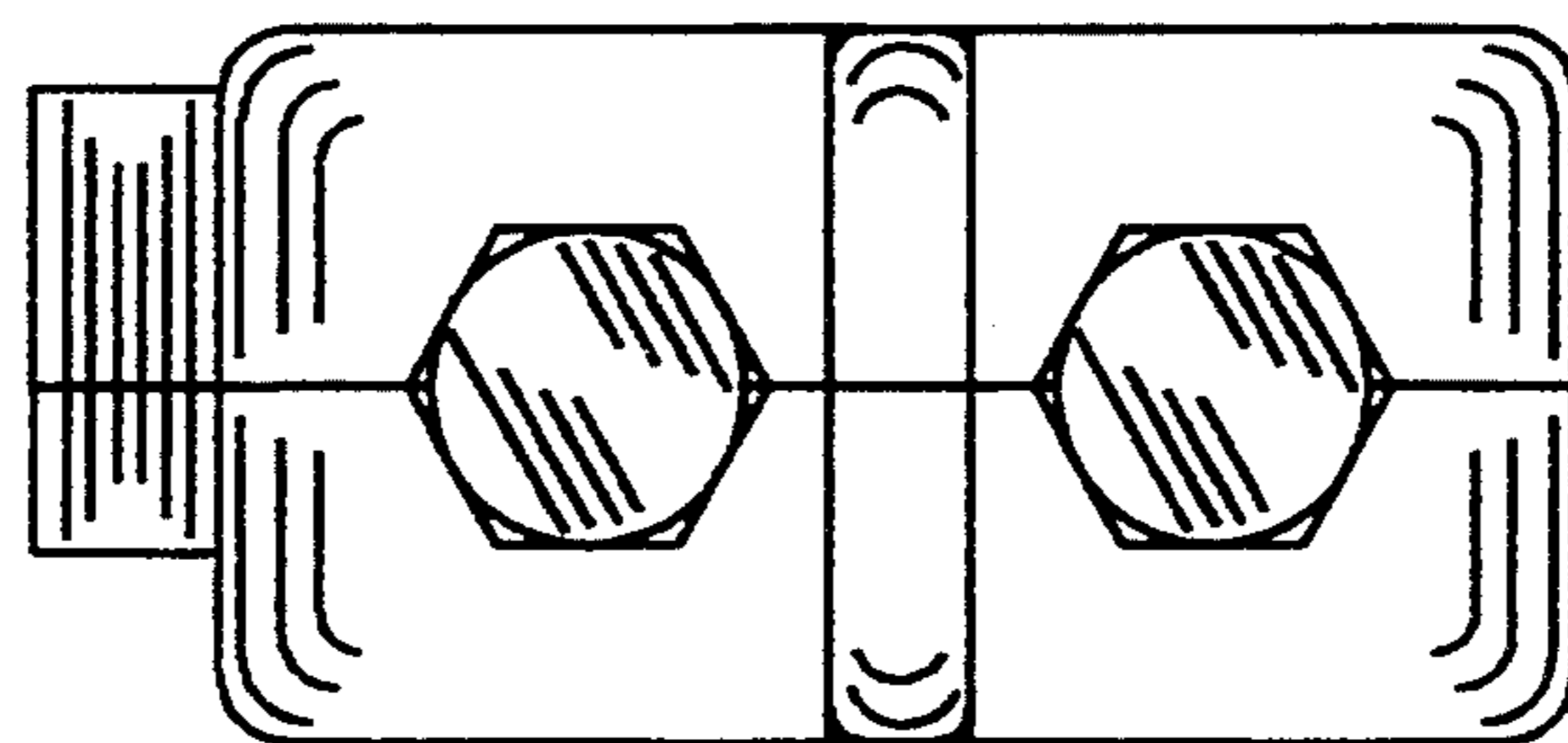


FIGURE 4

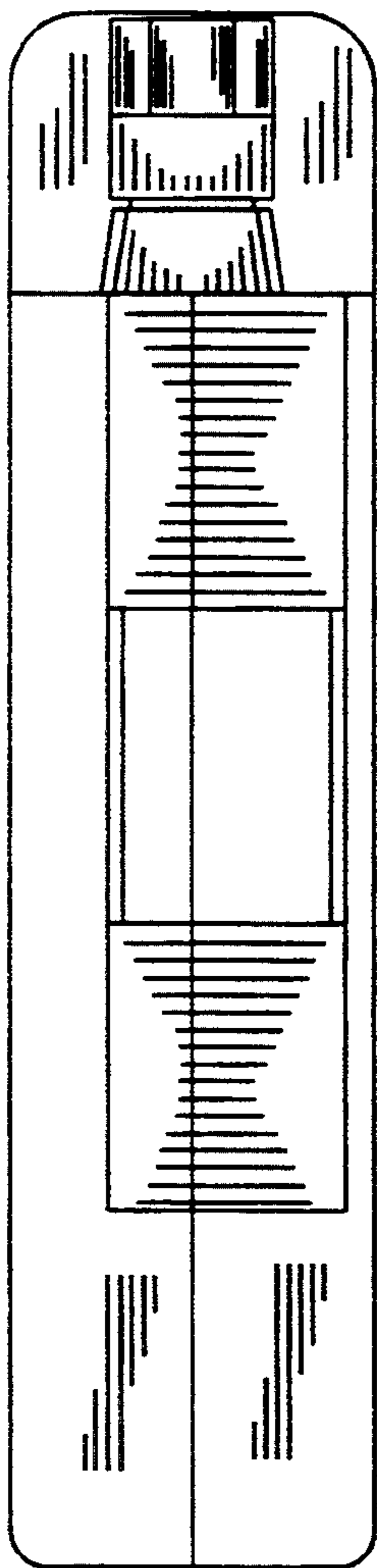


FIGURE 5

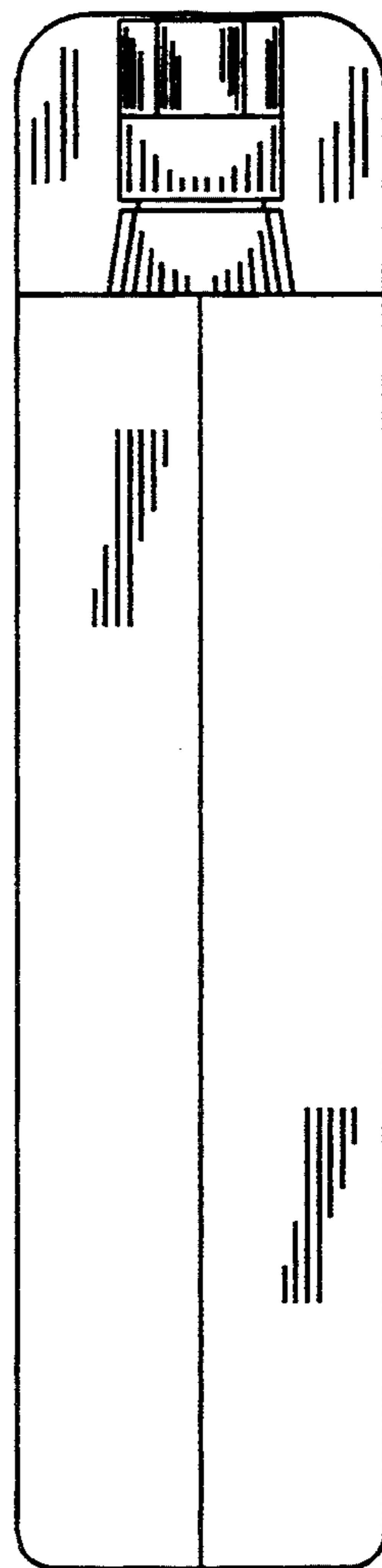


FIGURE 6

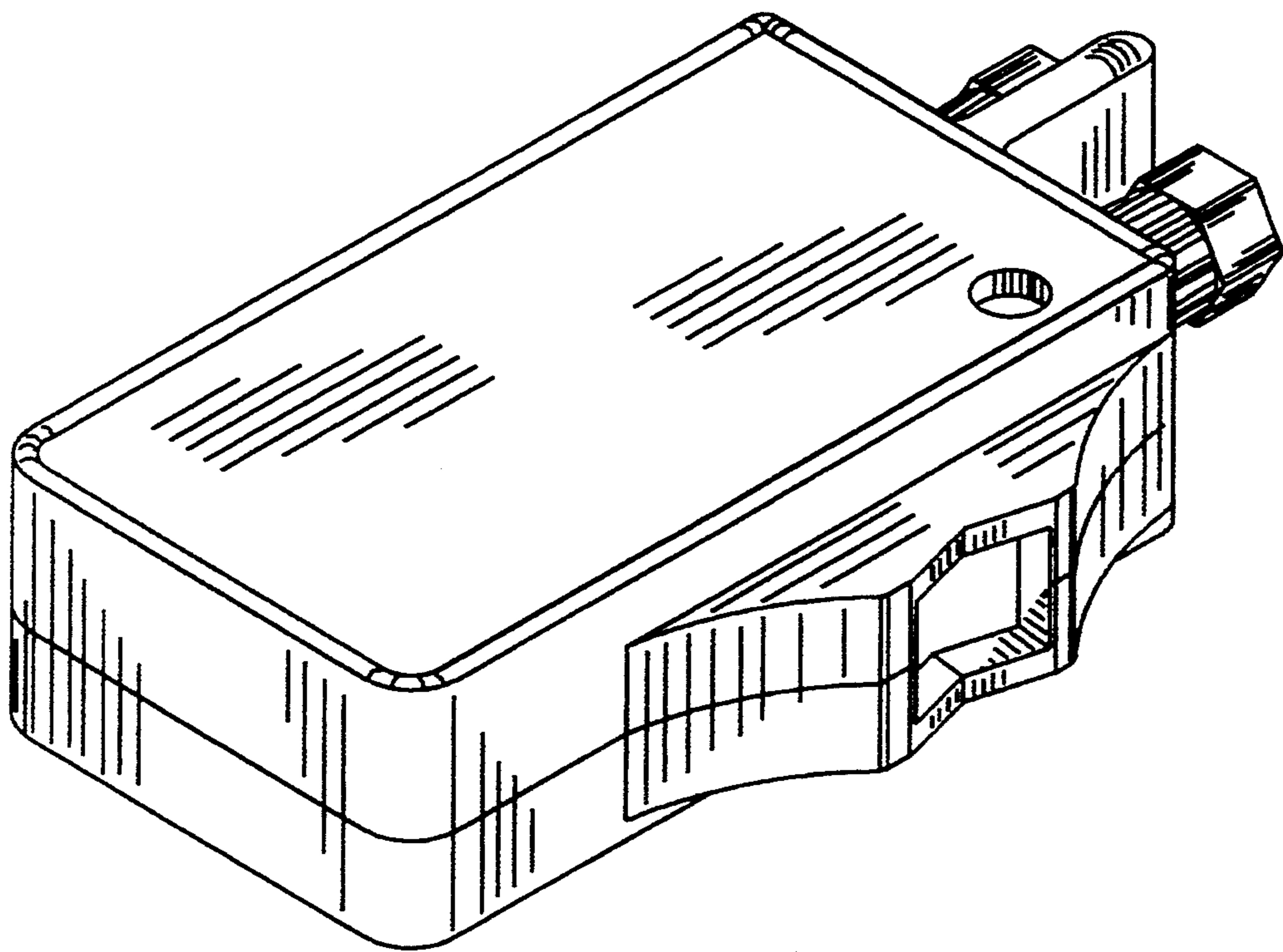


FIGURE 7