



US00D355634S

United States Patent [19]

Ritzenthaler

[11] Patent Number: **Des. 355,634**

[45] Date of Patent: **** Feb. 21, 1995**

[54] **SKI BOAT PYLON**

[76] Inventor: **Robert Ritzenthaler**, 1181 Kempton Park, McKinney, Tex. 75069

[**] Term: **14 Years**

[21] Appl. No.: **15,679**

[22] Filed: **Nov. 24, 1993**

[52] U.S. Cl. **D12/317**

[58] Field of Search **D12/317, 307; 114/253, 114/254, 363**

5,238,200 8/1993 Ritzenthaler 242/86.5

Primary Examiner—Kay H. Chin
Attorney, Agent, or Firm—Ross, Howison, Clapp & Korn

[57] CLAIM

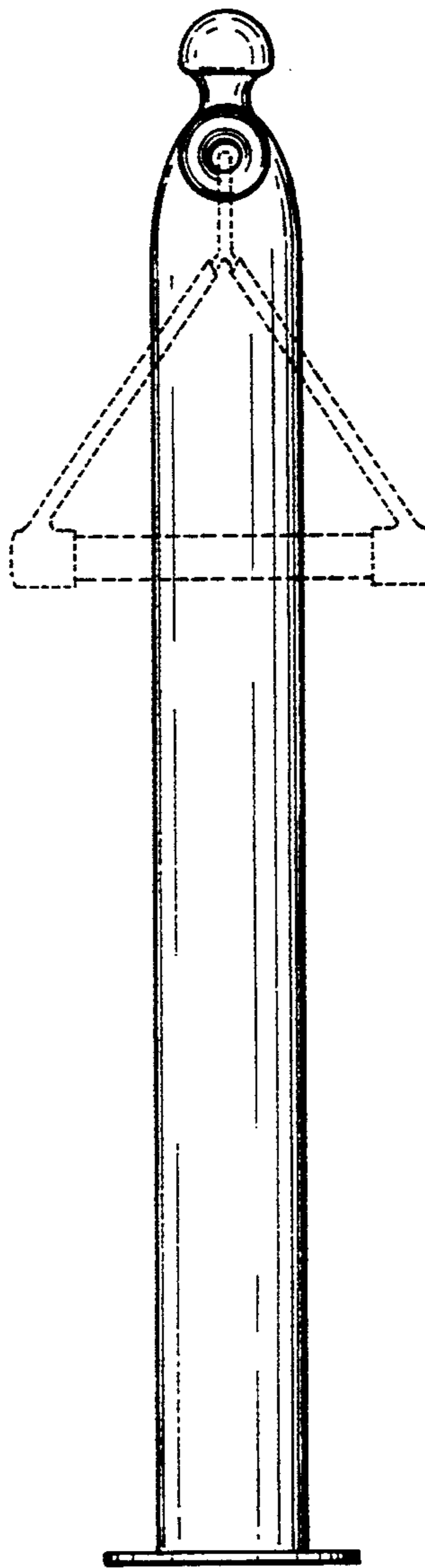
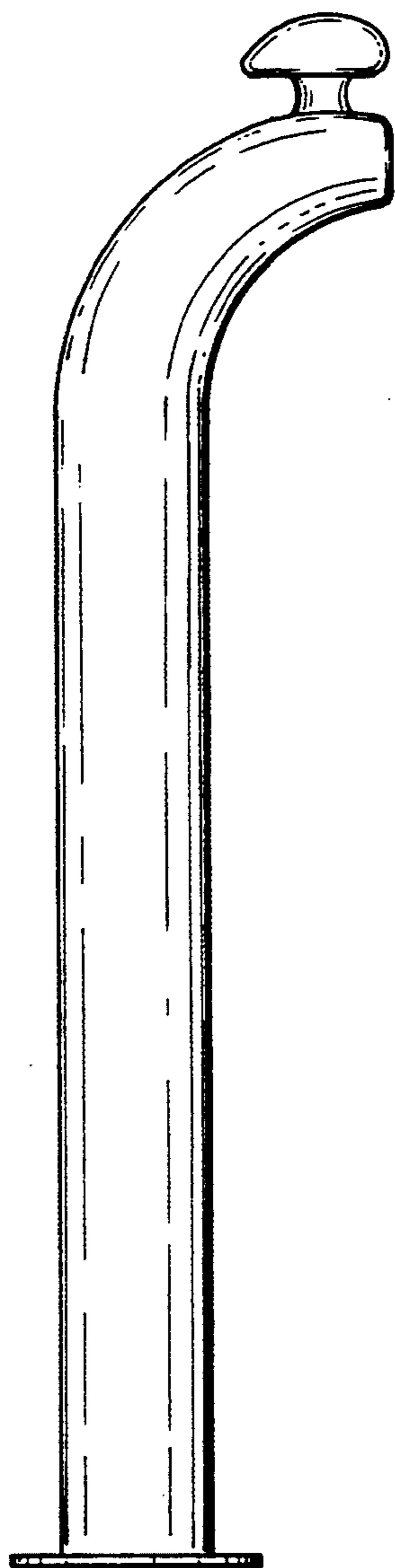
The ornamental design for a ski boat pylon, as shown and described.

DESCRIPTION

FIG. 1 is a rear elevational view of my ski boat pylon; FIG. 2 is a side elevational view thereof, the opposite side being a mirror image thereof; FIG. 3 is a front elevational view thereof, the broken lines are for illustrative purposes only and form no part of the claimed design; FIG. 4 is a top plan view thereof; and, FIG. 5 is a bottom plan view thereof.

[56] **References Cited**
U.S. PATENT DOCUMENTS

3,890,918	6/1975	Sell	114/253
4,589,366	5/1986	Eiber	114/253
4,893,577	1/1990	Jennings	114/253
4,960,065	10/1990	Junkeris	114/254



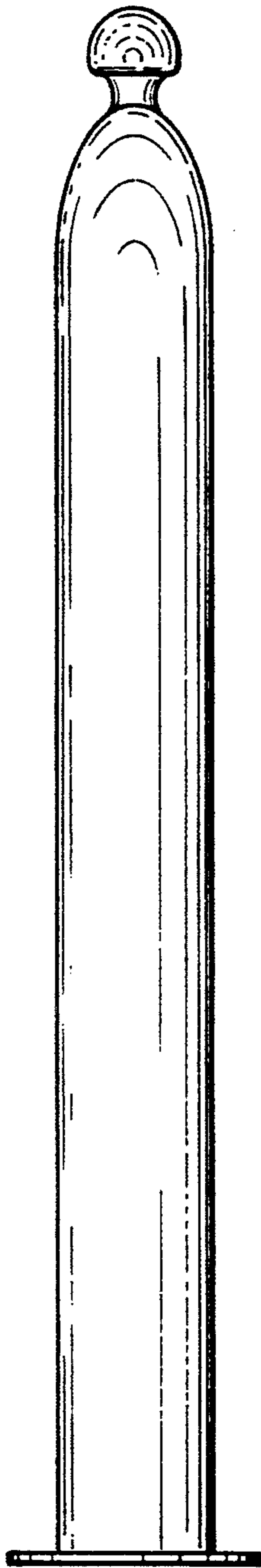


FIG. 1

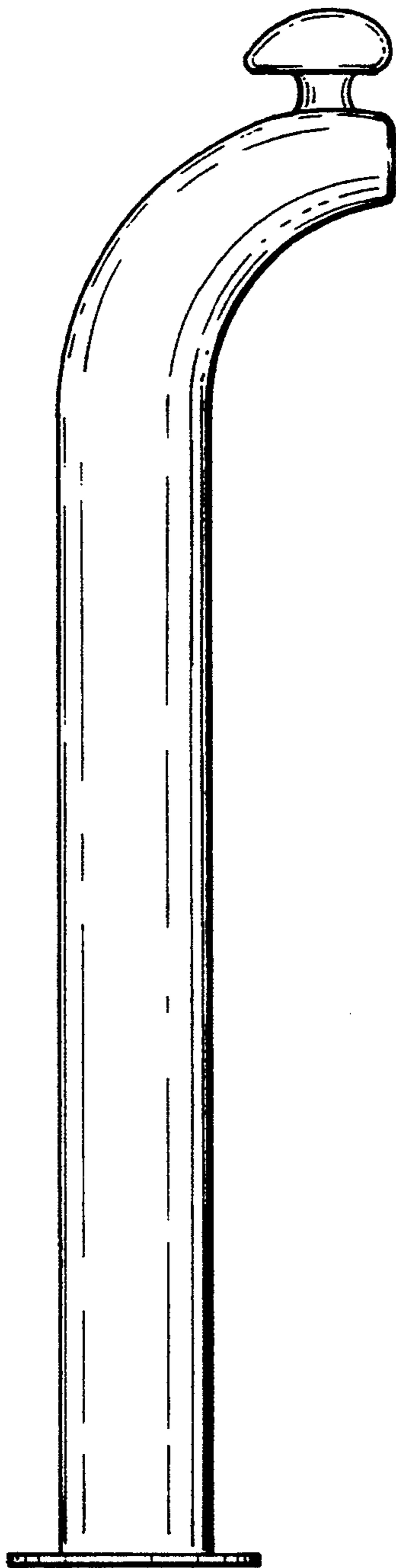


FIG. 2

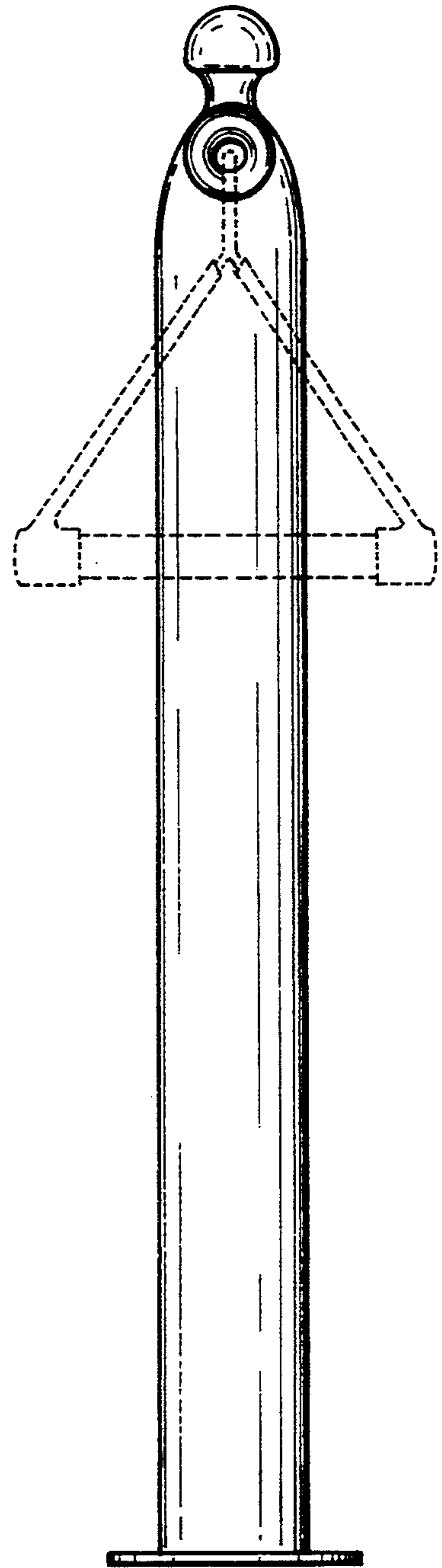


FIG. 3

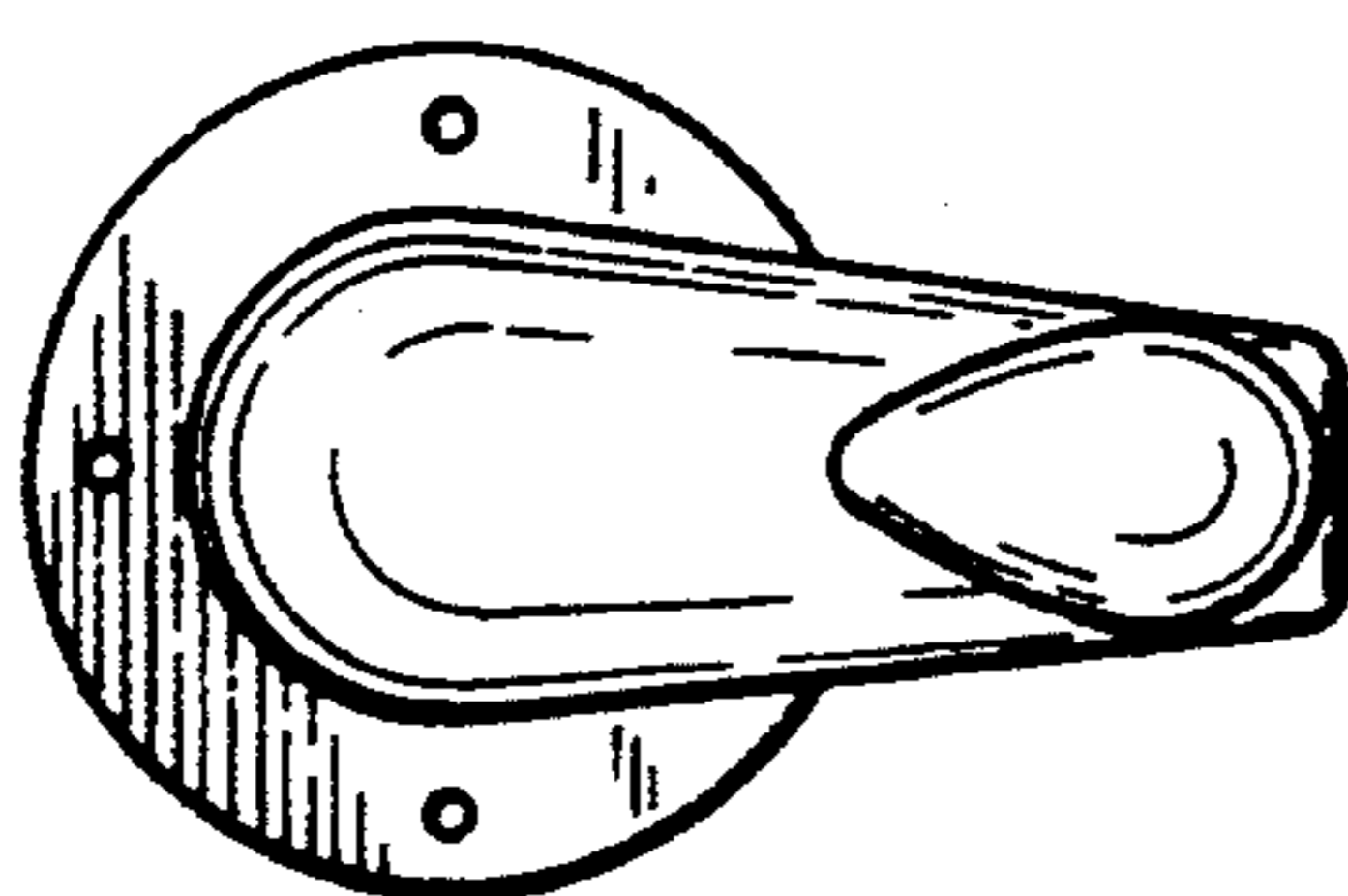


FIG. 4

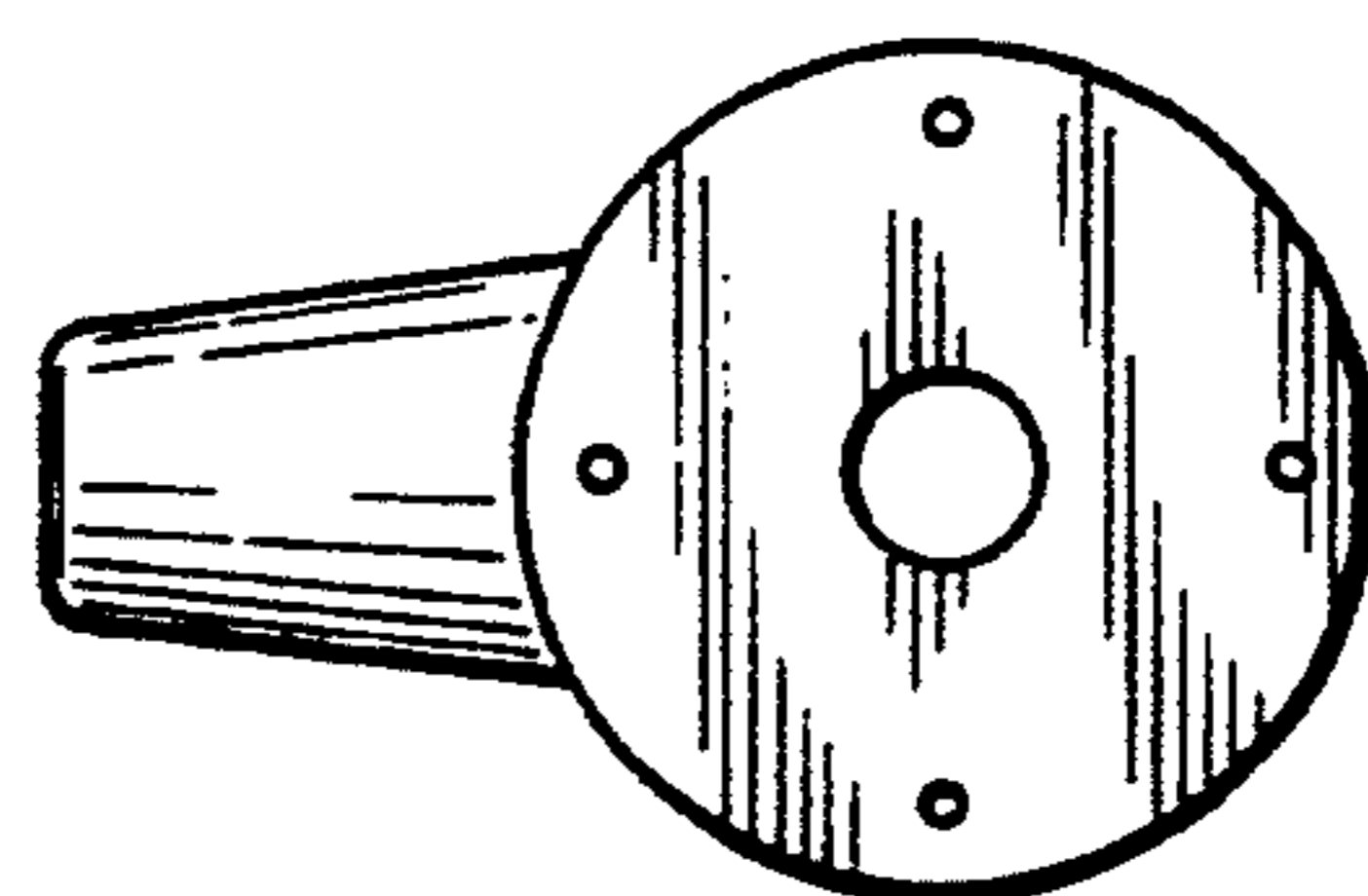


FIG. 5