



US00D355629S

United States Patent [19]

[11] Patent Number: **Des. 355,629**

Kulesza

[45] Date of Patent: **** Feb. 21, 1995**

[54] **BABY WALKING AID**

[76] Inventor: **Sharon L. Kulesza**, P.O. Box 286
Berm La., Upper Black Eddy, Pa.
18972

[**] Term: **14 Years**

[21] Appl. No.: **10,485**

[22] Filed: **Jul. 9, 1993**

[52] U.S. Cl. **D12/130; D21/59**

[58] Field of Search **D12/130, 128; 135/67;**
482/68; 297/5, 6; 280/87.051; D21/78, 59

4,902,000 2/1990 Starks et al. 482/68
4,907,972 3/1990 Marolda .
4,946,158 8/1990 Olayan .
5,120,287 6/1992 Brown .

Primary Examiner—Kay H. Chin
Attorney, Agent, or Firm—Terry M. Gernstein

[57] CLAIM

The ornamental design for a baby walking aid, as shown and described.

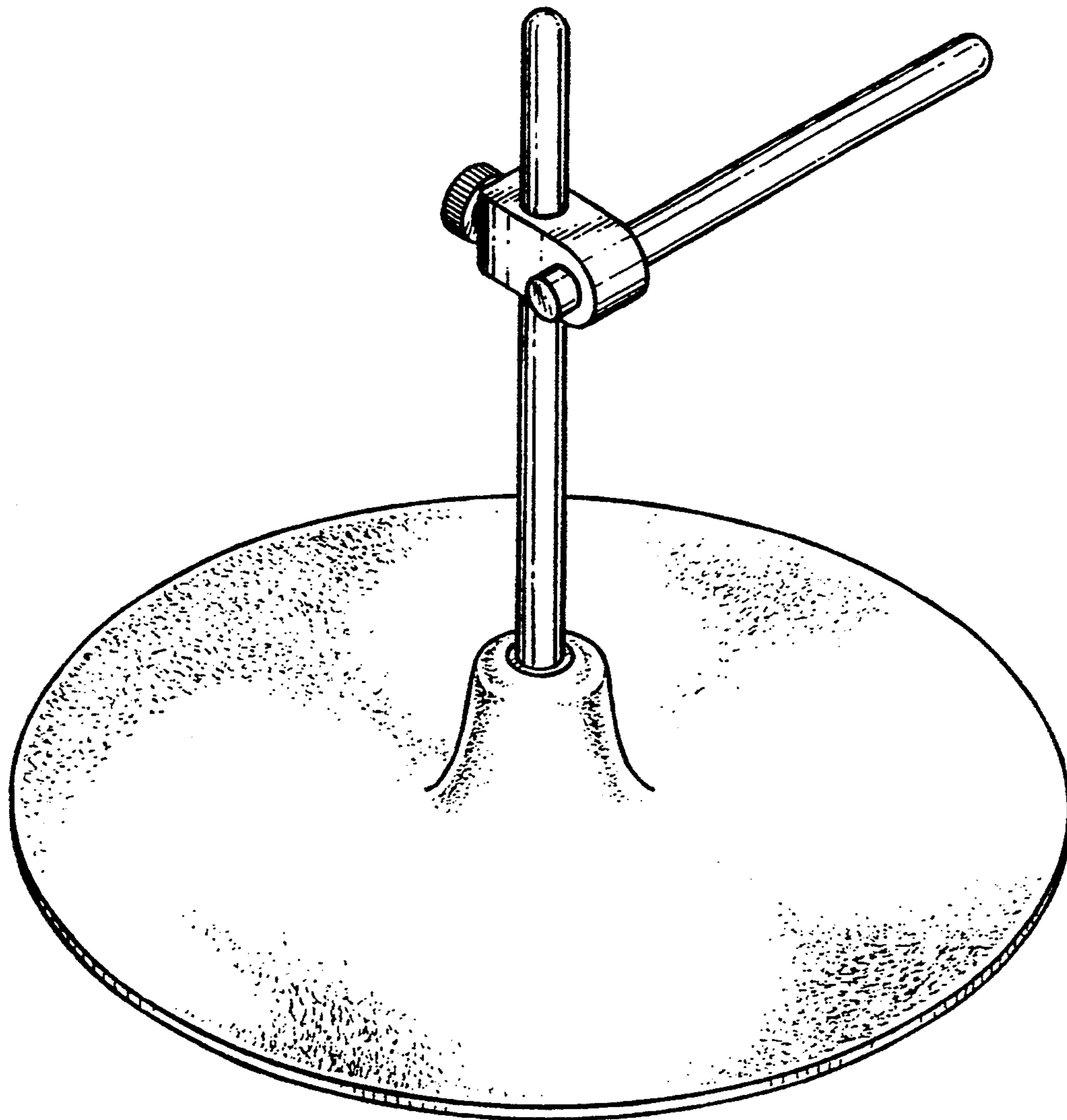
DESCRIPTION

FIG. 1 is a front, top and side perspective view of the baby walking aid showing my new design; FIG. 2 is a front elevational view thereof; FIG. 3 is a rear elevational view thereof; FIG. 4 is a side elevational view thereof; FIG. 5 is a side elevational view thereof; FIG. 6 is a top plan view thereof; and, FIG. 7 is a bottom plan view thereof.

[56] References Cited

U.S. PATENT DOCUMENTS

D. 338,434	8/1993	Muff et al.	D12/130
1,729,557	9/1929	Stoll	135/67
3,529,819	9/1970	Blank	482/68
3,553,746	1/1971	Serger	135/67
4,844,107	7/1989	Watkins	135/67



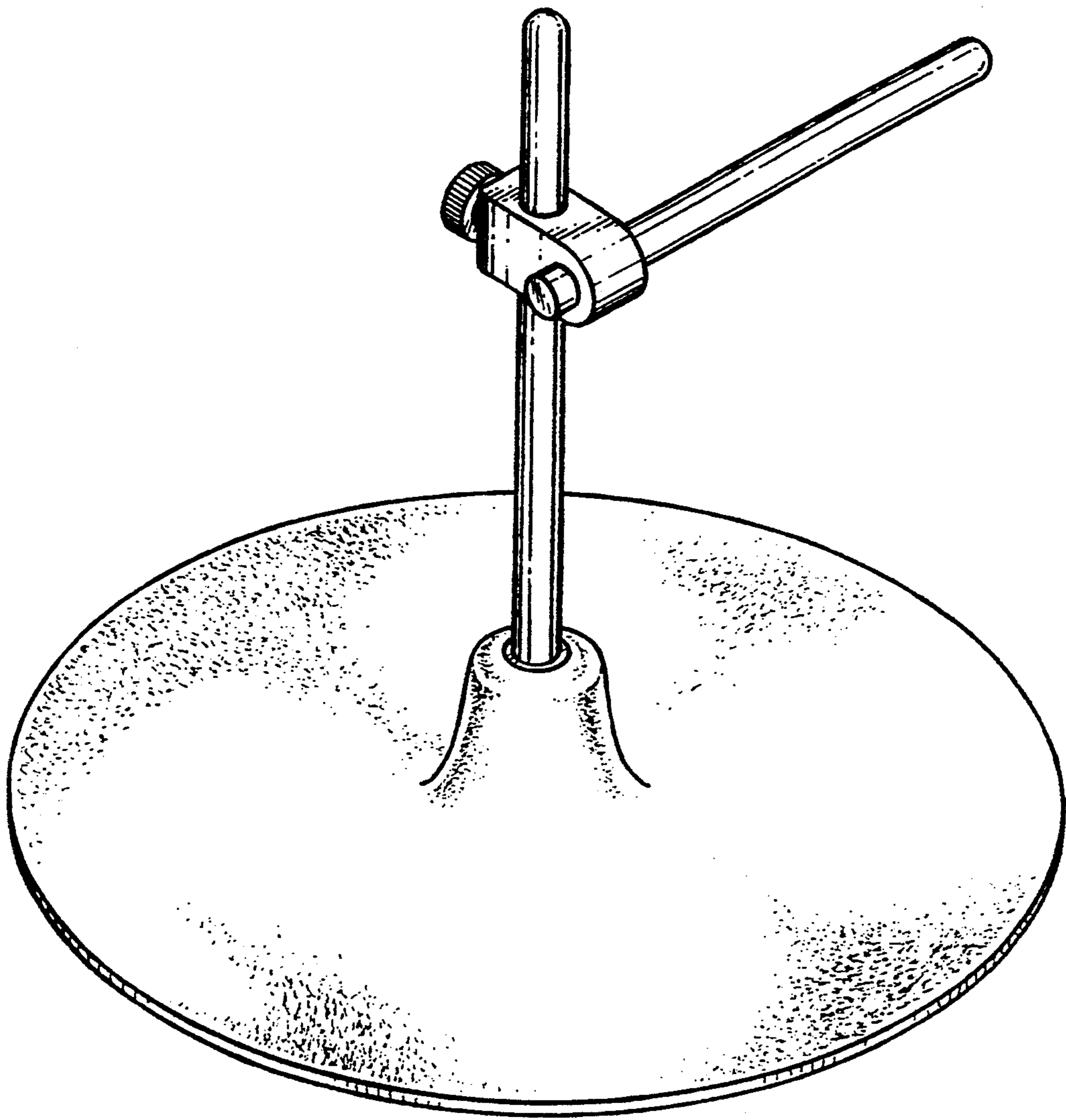


FIG. 1

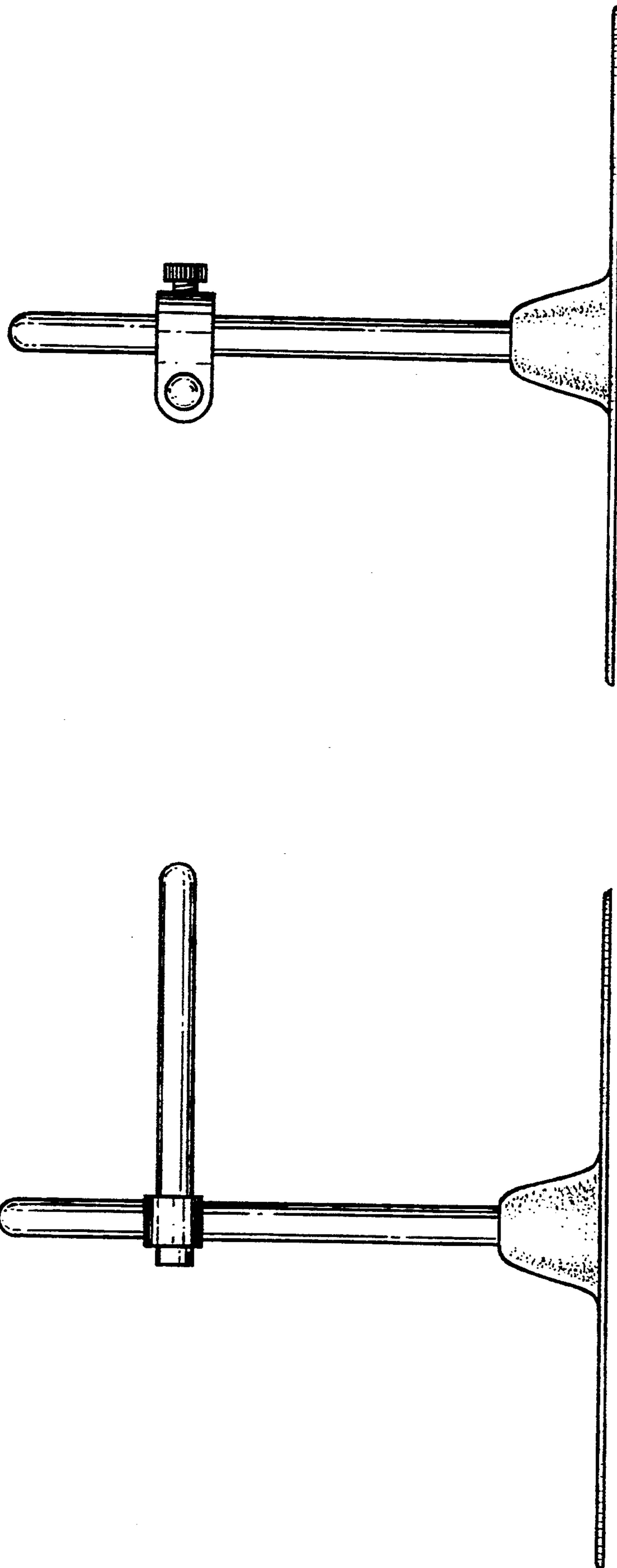


FIG. 2

FIG. 4

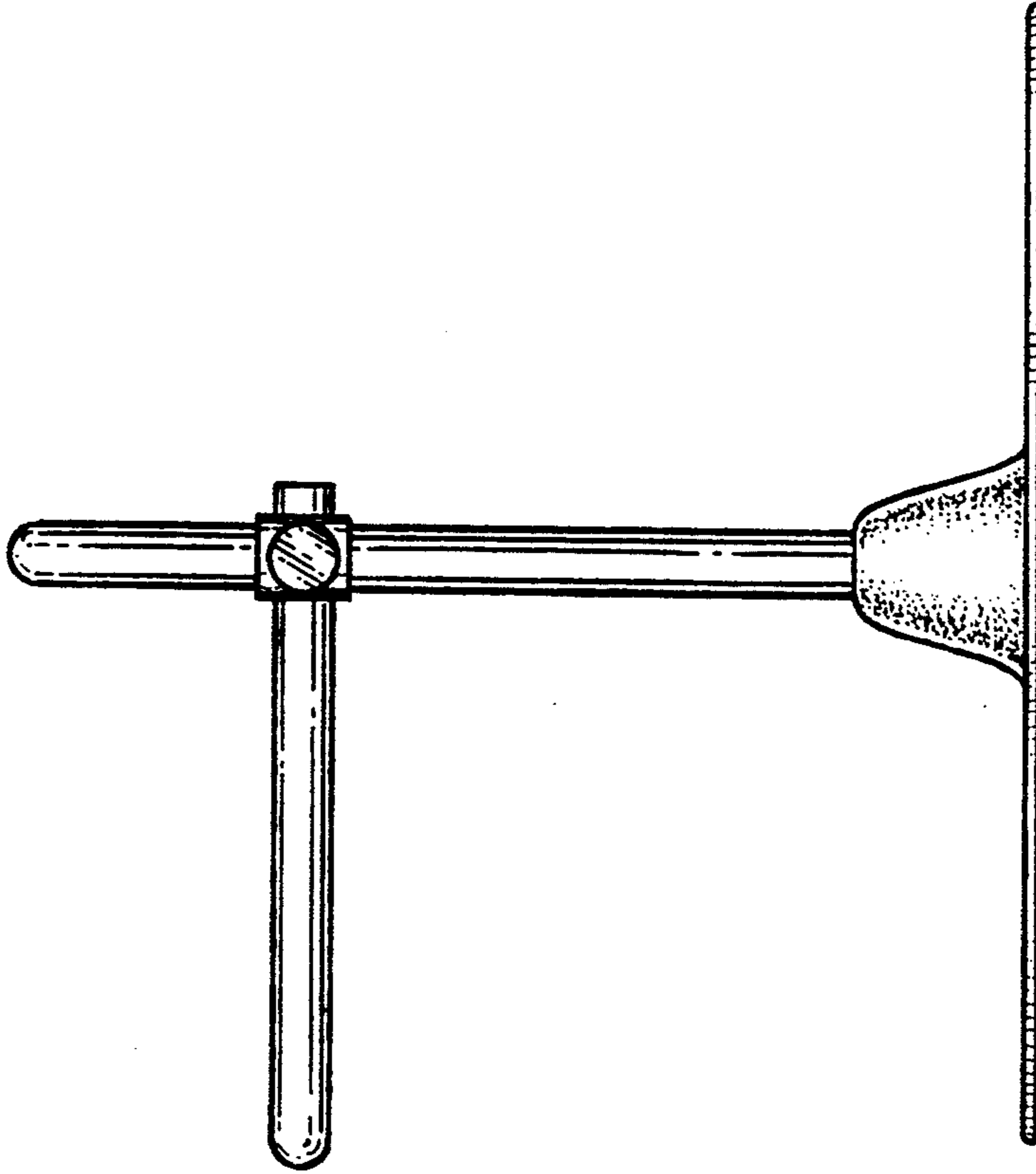


FIG. 3

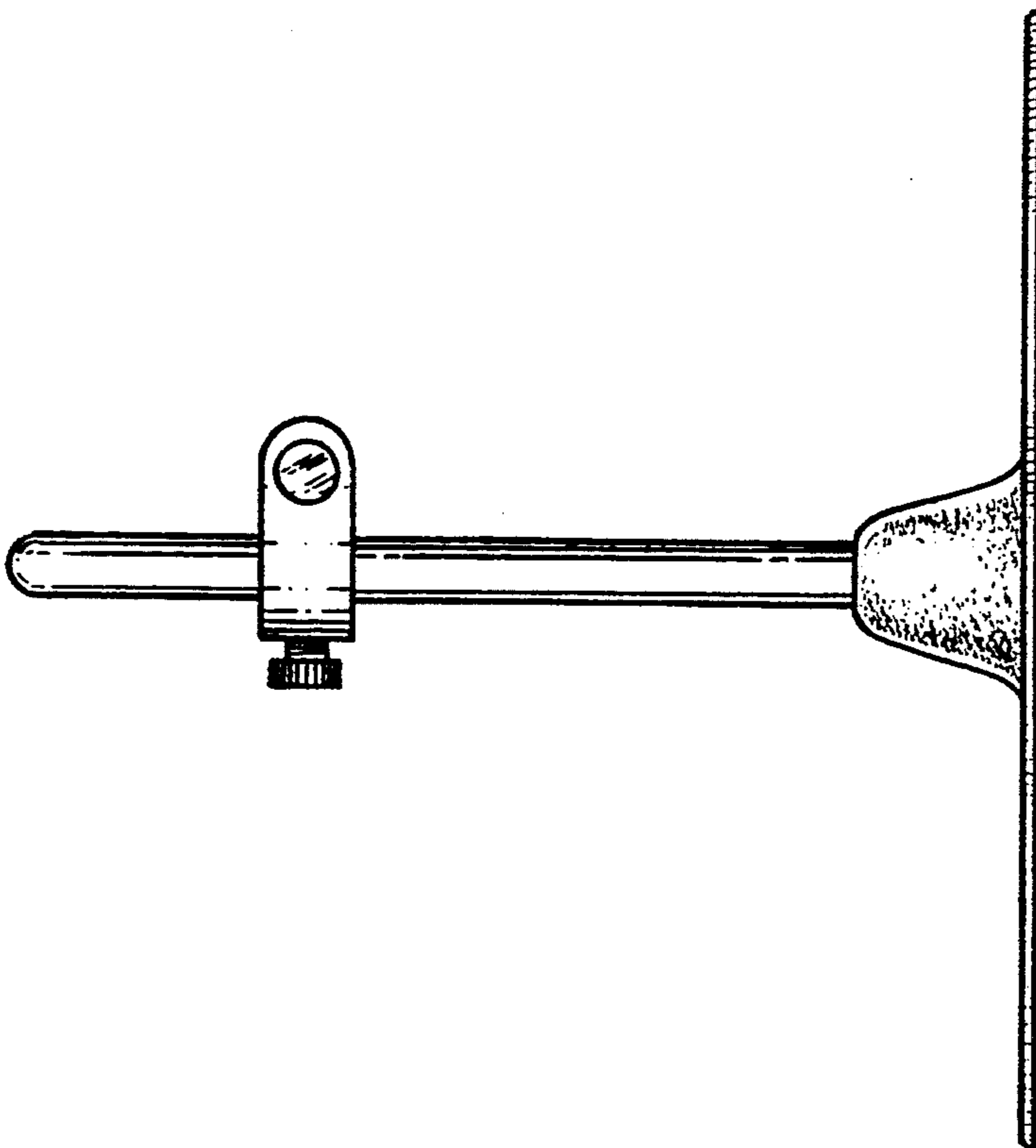


FIG. 5

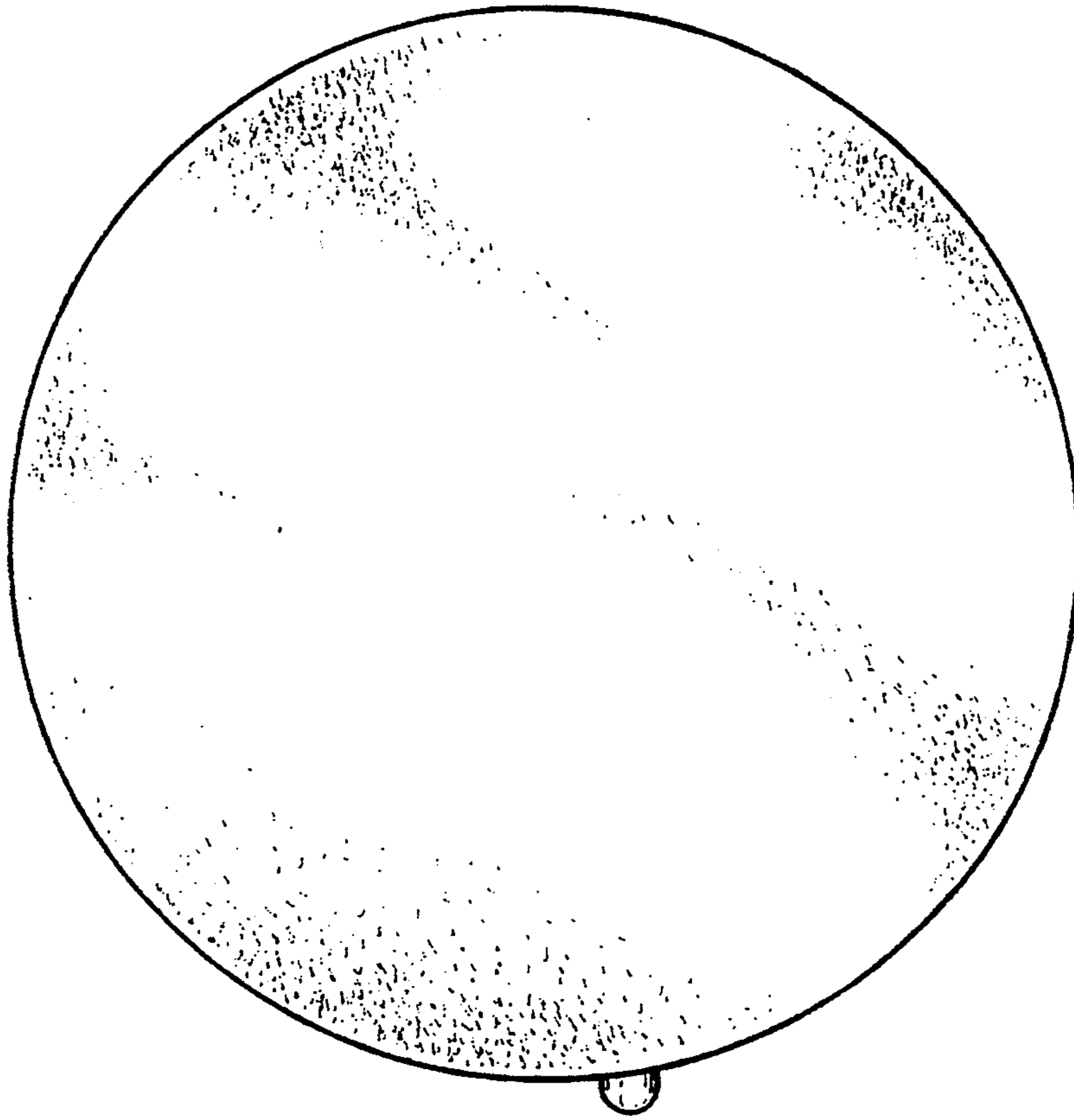


FIG. 7

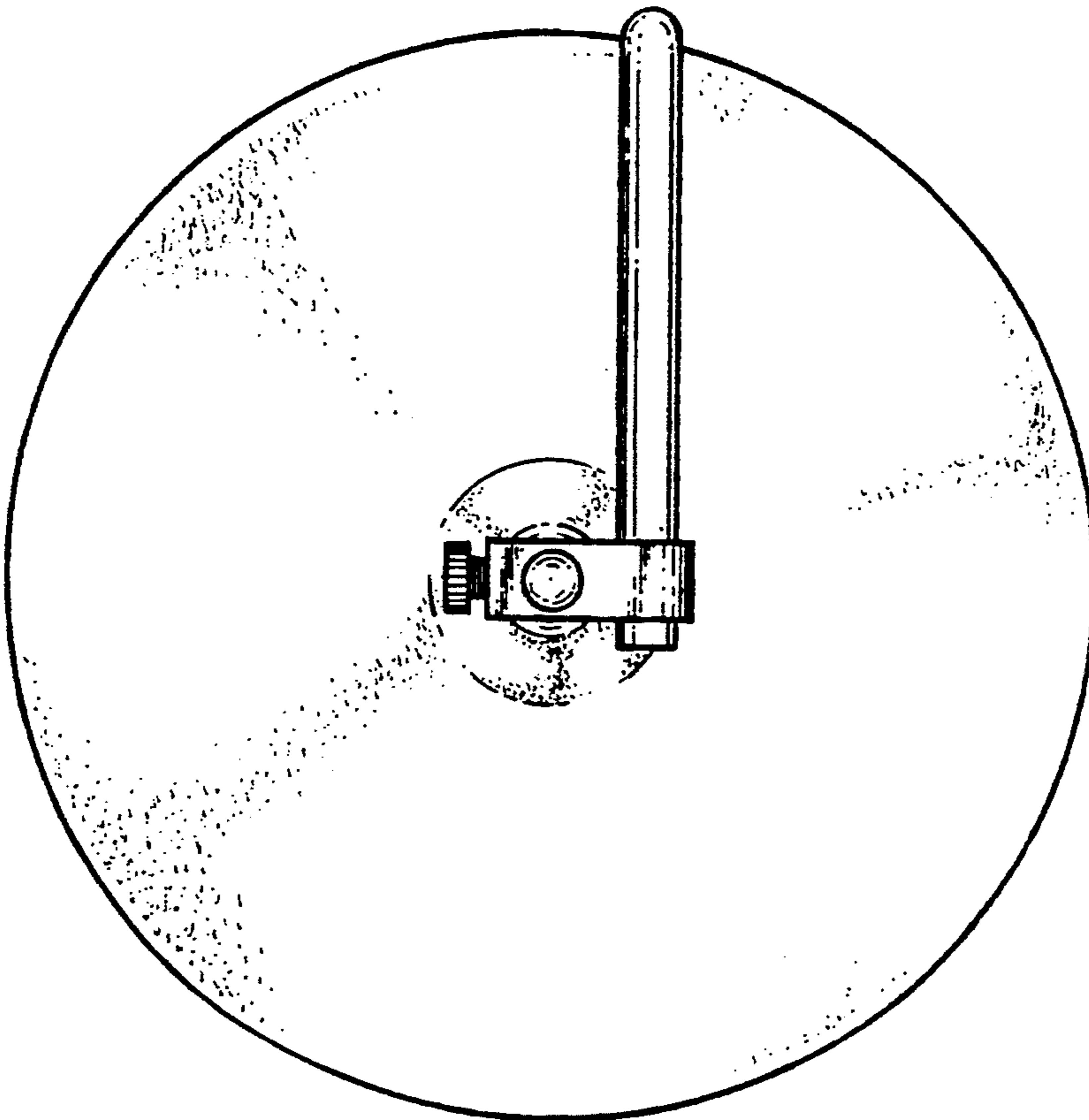


FIG. 6