



US00D355628S

United States Patent [19] Parks

[11] Patent Number: **Des. 355,628**
[45] Date of Patent: **** Feb. 21, 1995**

[54] **BUBBLE FOGGER FOR BICYCLES**
[76] Inventor: **James Parks**, 615 W. Taylor St.,
Kokomo, Ind. 46901
[**] Term: **14 Years**
[21] Appl. No.: **15,922**
[22] Filed: **Dec. 2, 1993**
[52] U.S. Cl. **D12/114**
[58] Field of Search **D12/114; D21/61;**
280/288.4; 446/15, 16, 17, 18

4,062,143 12/1977 Lerman 446/16
4,367,608 1/1983 Melotti 446/18
4,700,965 10/1987 Kingberg 446/18

FOREIGN PATENT DOCUMENTS

1509848 4/1978 United Kingdom 446/16

Primary Examiner—Wallace R. Burke
Assistant Examiner—M. Brown

[57] CLAIM

The ornamental design for a bubble fogger for bicycles, as shown.

[56] References Cited

U.S. PATENT DOCUMENTS

D. 185,805 8/1959 Clark D21/61
D. 256,596 8/1980 Herron D12/61
2,412,732 12/1946 Holman D21/61
2,547,825 4/1951 King D21/61
2,736,988 3/1956 Fisher D21/61
2,987,847 6/1961 Jones 446/17
3,738,051 6/1973 Wakeem 446/16
4,045,049 8/1977 Schultz 280/288.4

DESCRIPTION

FIG. 1 is a front elevational view of the bubble fogger for bicycles showing my new design;
FIG. 2 is a rear elevational view thereof;
FIG. 3 is a left side elevational view thereof;
FIG. 4 is a right side elevational view thereof;
FIG. 5 is a top plan view thereof;
FIG. 6 is a bottom plan view thereof; and,
FIG. 7 is a top and left perspective view thereof.

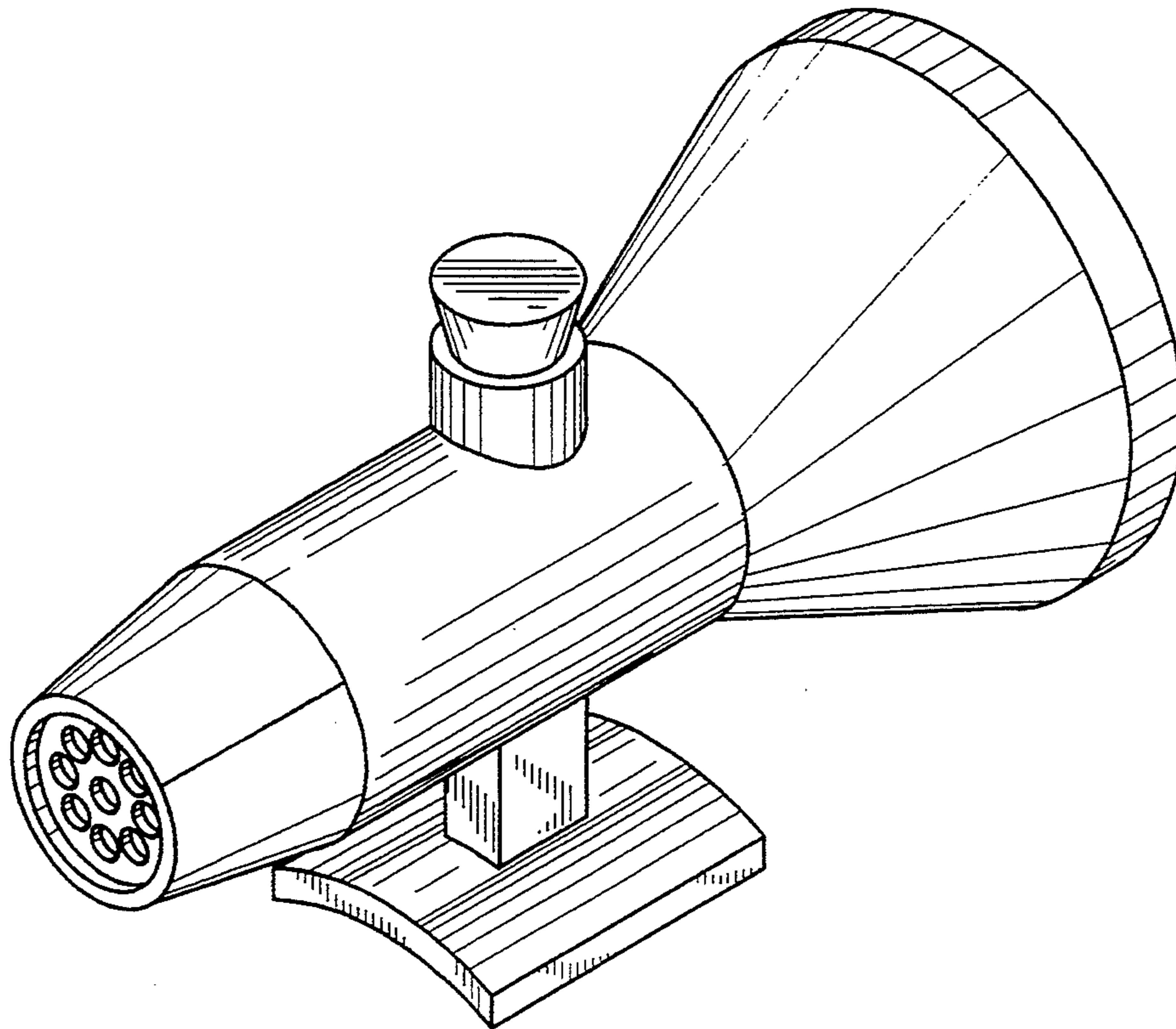


FIG. 1

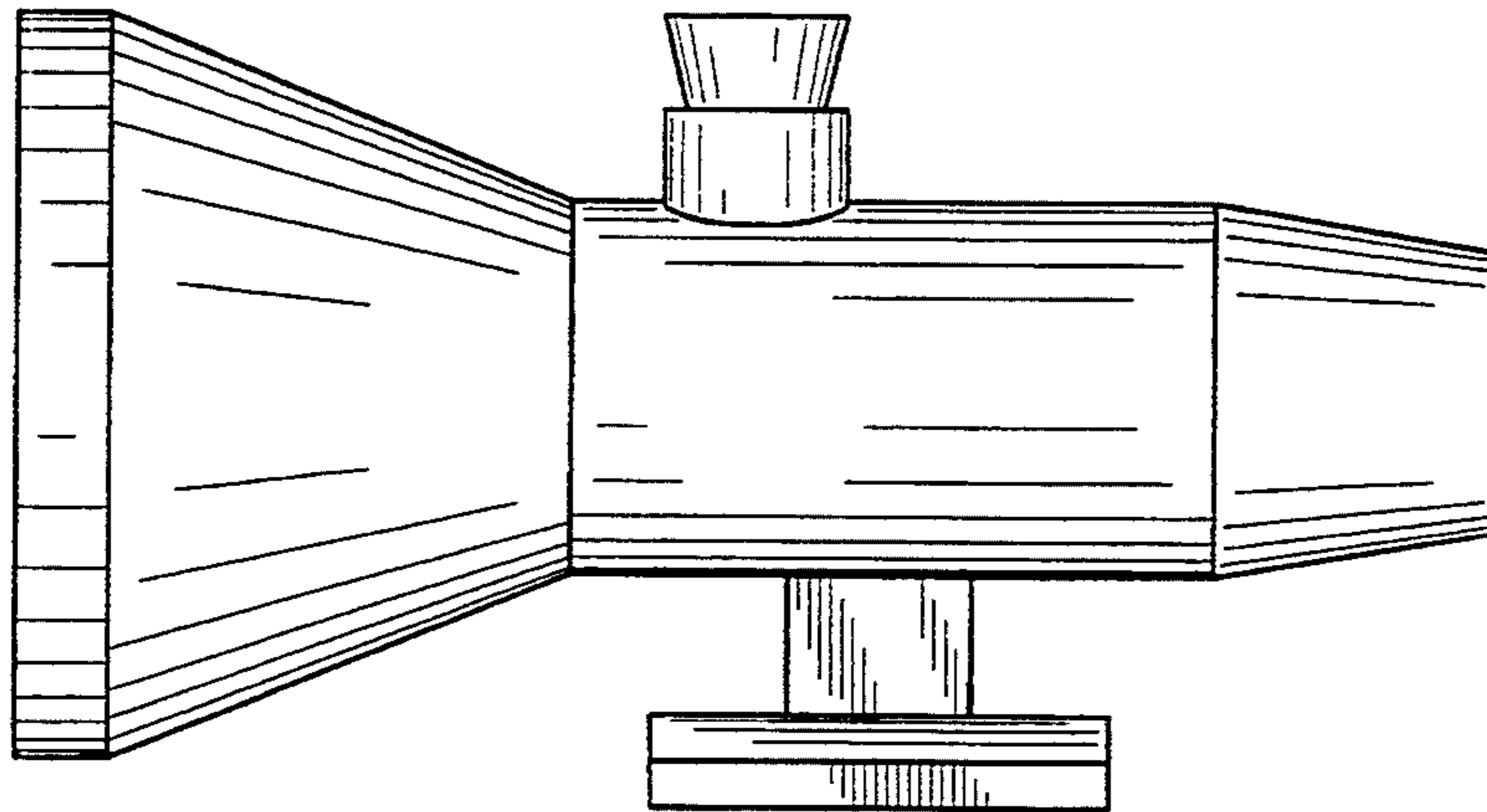


FIG. 2

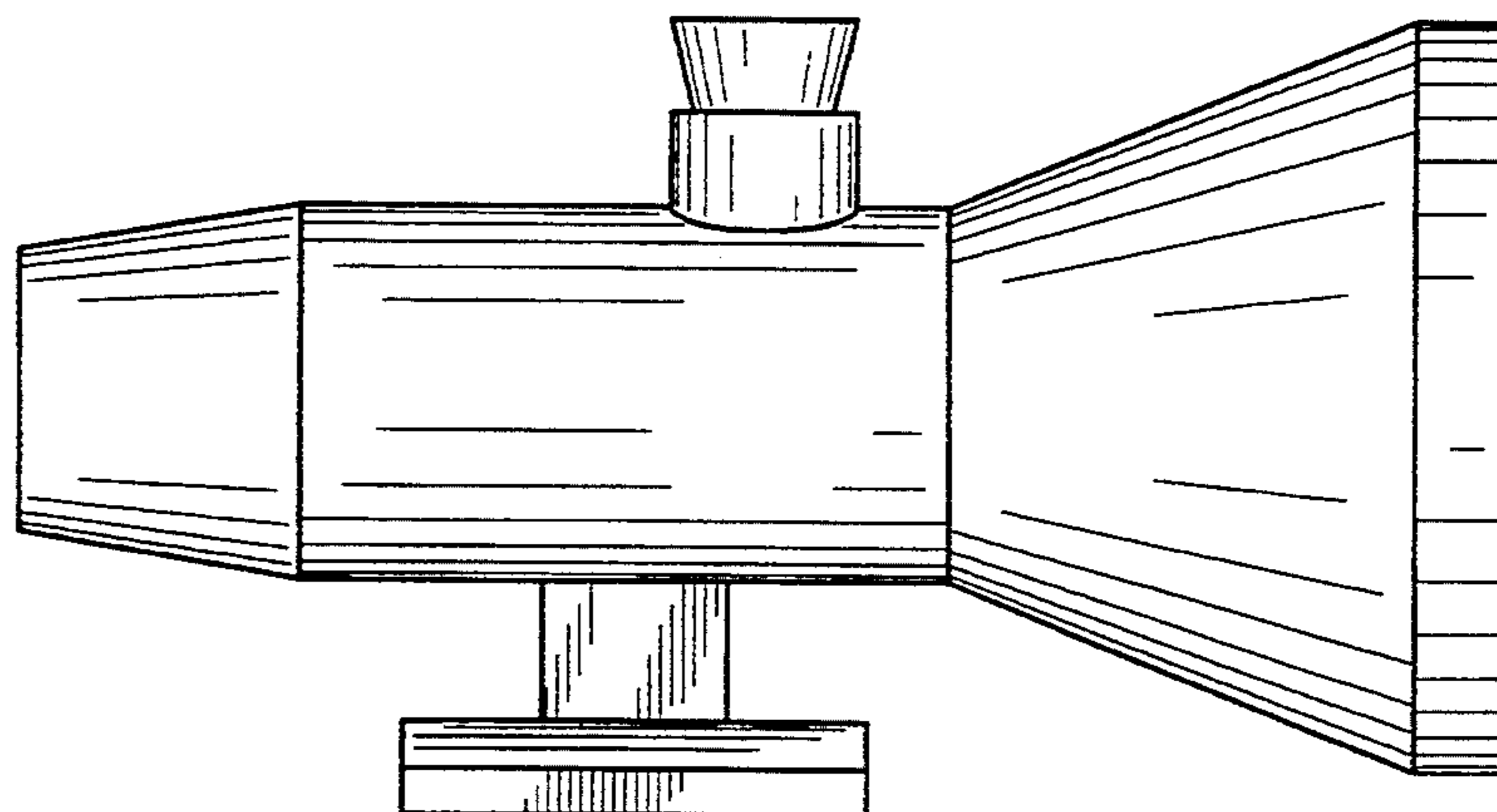


FIG. 3

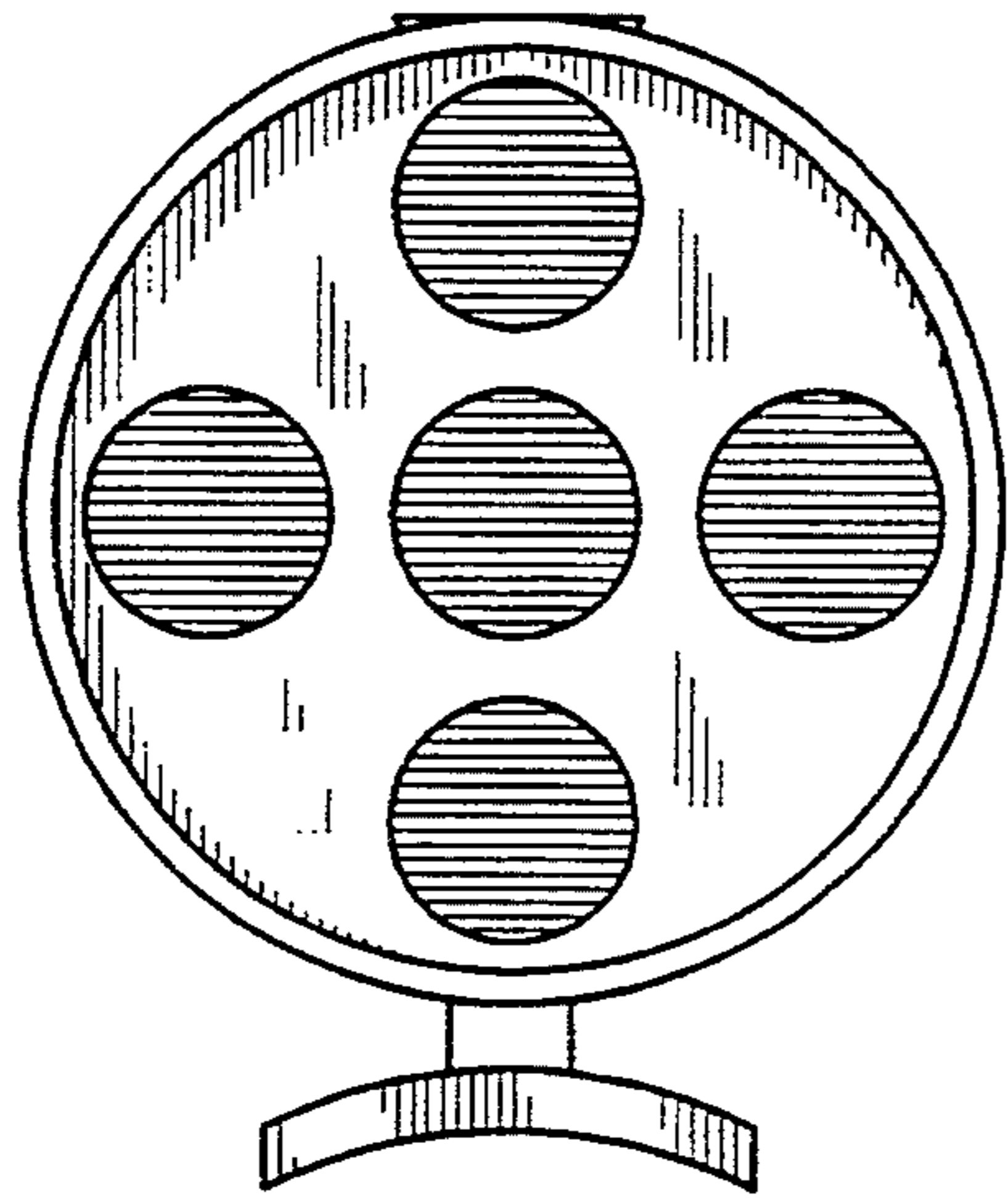


FIG. 4

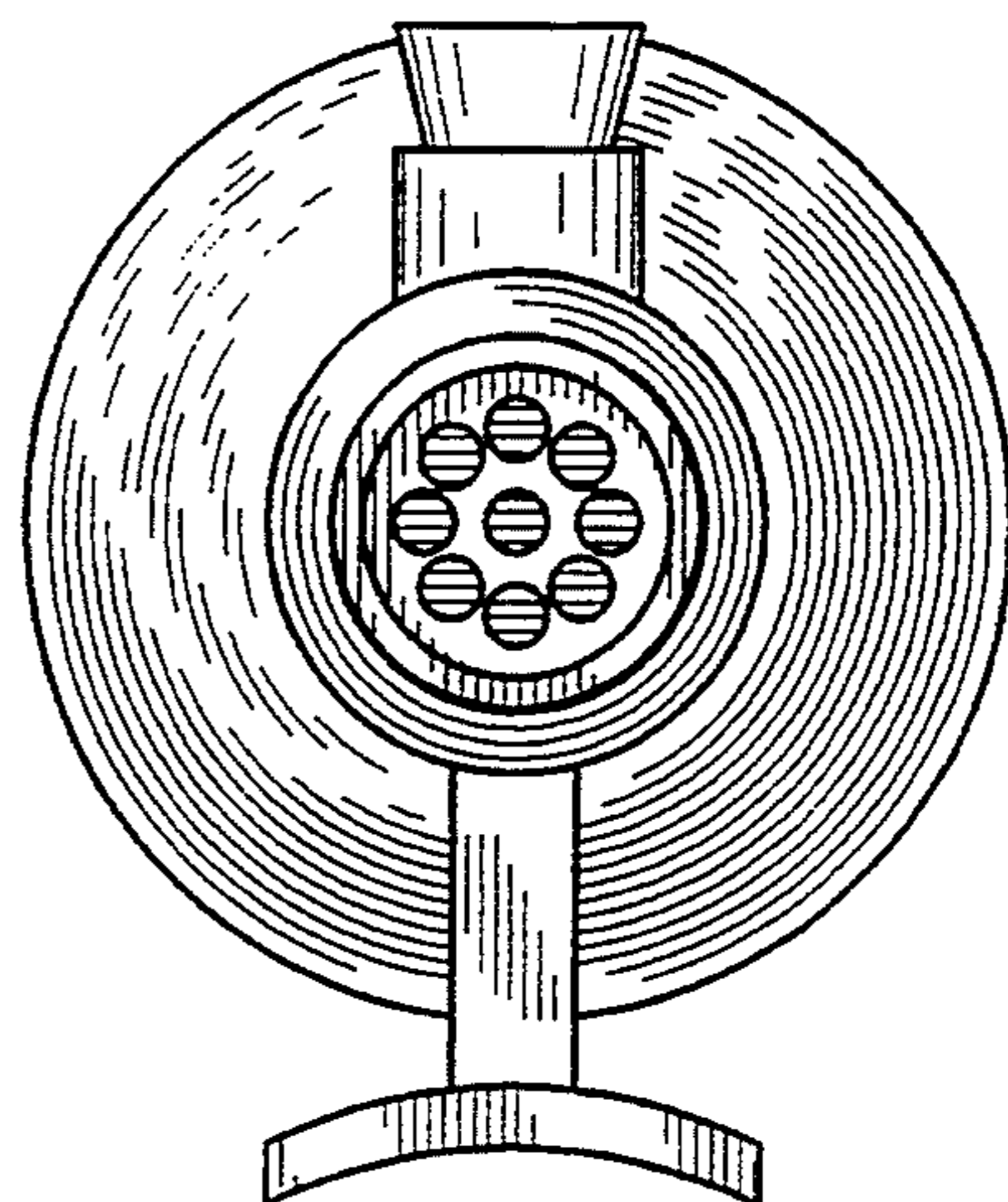


FIG. 5

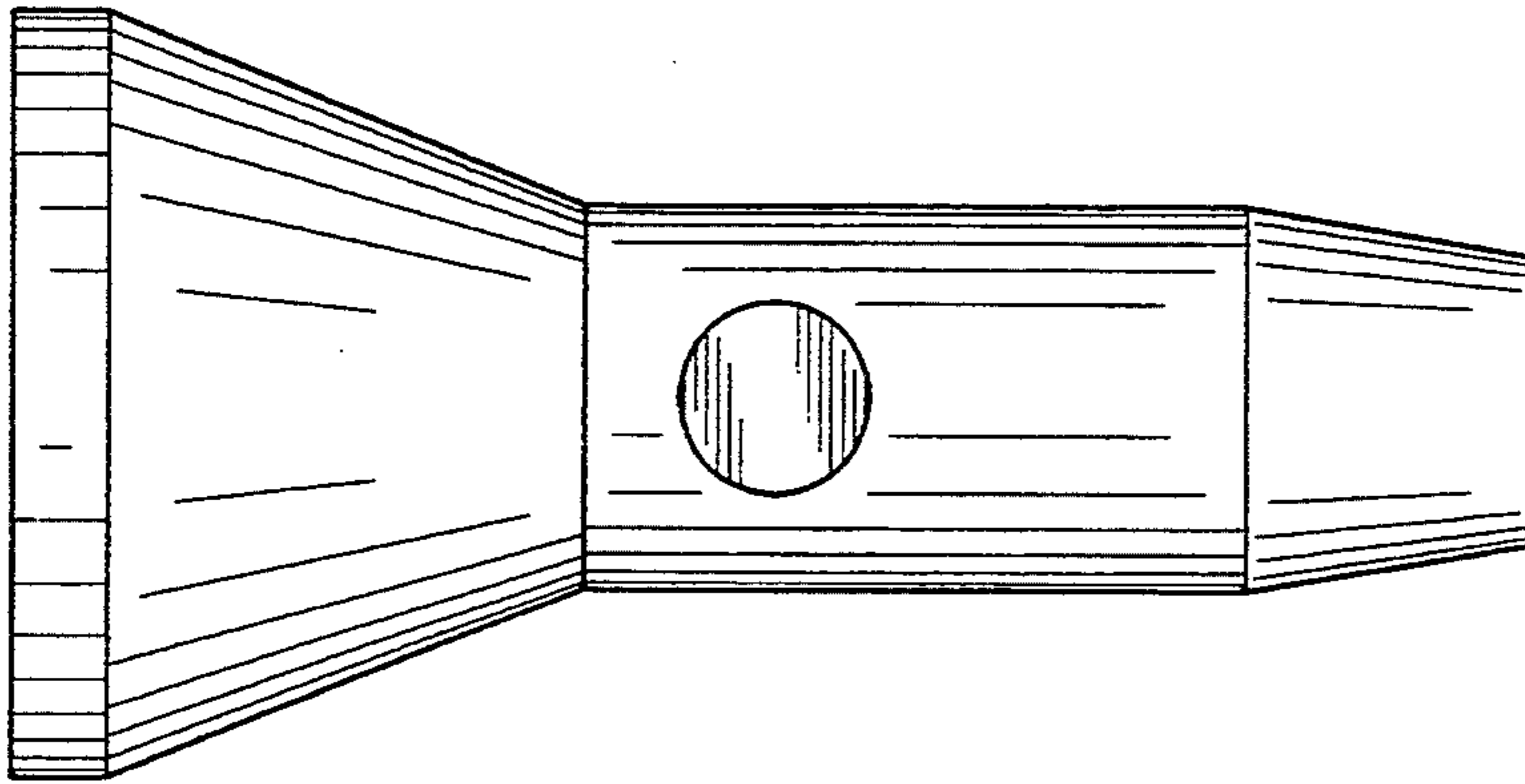


FIG. 6

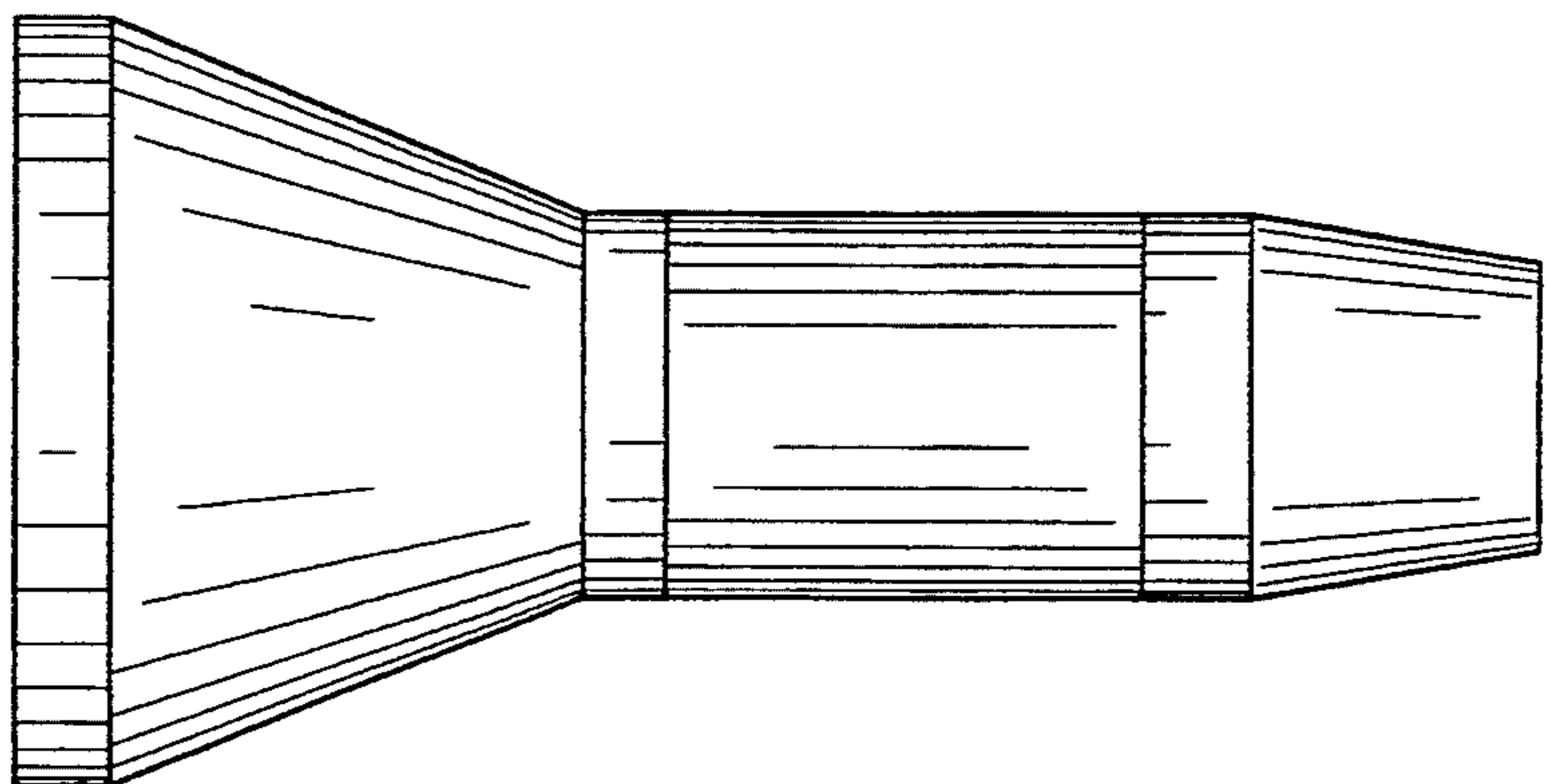


FIG. 7

