



US00D355620S

**United States Patent** [19]  
**Drimer**

[11] **Patent Number: Des. 355,620**  
[45] **Date of Patent: \*\* Feb. 21, 1995**

[54] **PERSONAL SECURITY ALARM**  
[75] **Inventor: Joseph Drimer, Owings Mills, Md.**  
[73] **Assignee: Global Protection, Inc., Owings Mills, Md.**  
[\*\*] **Term: 14 Years**  
[21] **Appl. No.: 18,651**  
[22] **Filed: Feb. 14, 1994**  
[52] **U.S. Cl. .... D10/106**  
[58] **Field of Search .... D10/104, 106, 116, 121; 340/540, 541, 546, 547, 571, 572, 573, 574**

D. 318,246 7/1991 Schwartz ..... D10/106  
D. 333,996 3/1993 Matt et al. .... D10/106  
D. 338,844 8/1993 Savio et al. .... D10/106

*Primary Examiner*—Wallace R. Burke  
*Assistant Examiner*—Marcus Jackson  
*Attorney, Agent, or Firm*—Shefte, Pinckney & Sawyer

[57] **CLAIM**

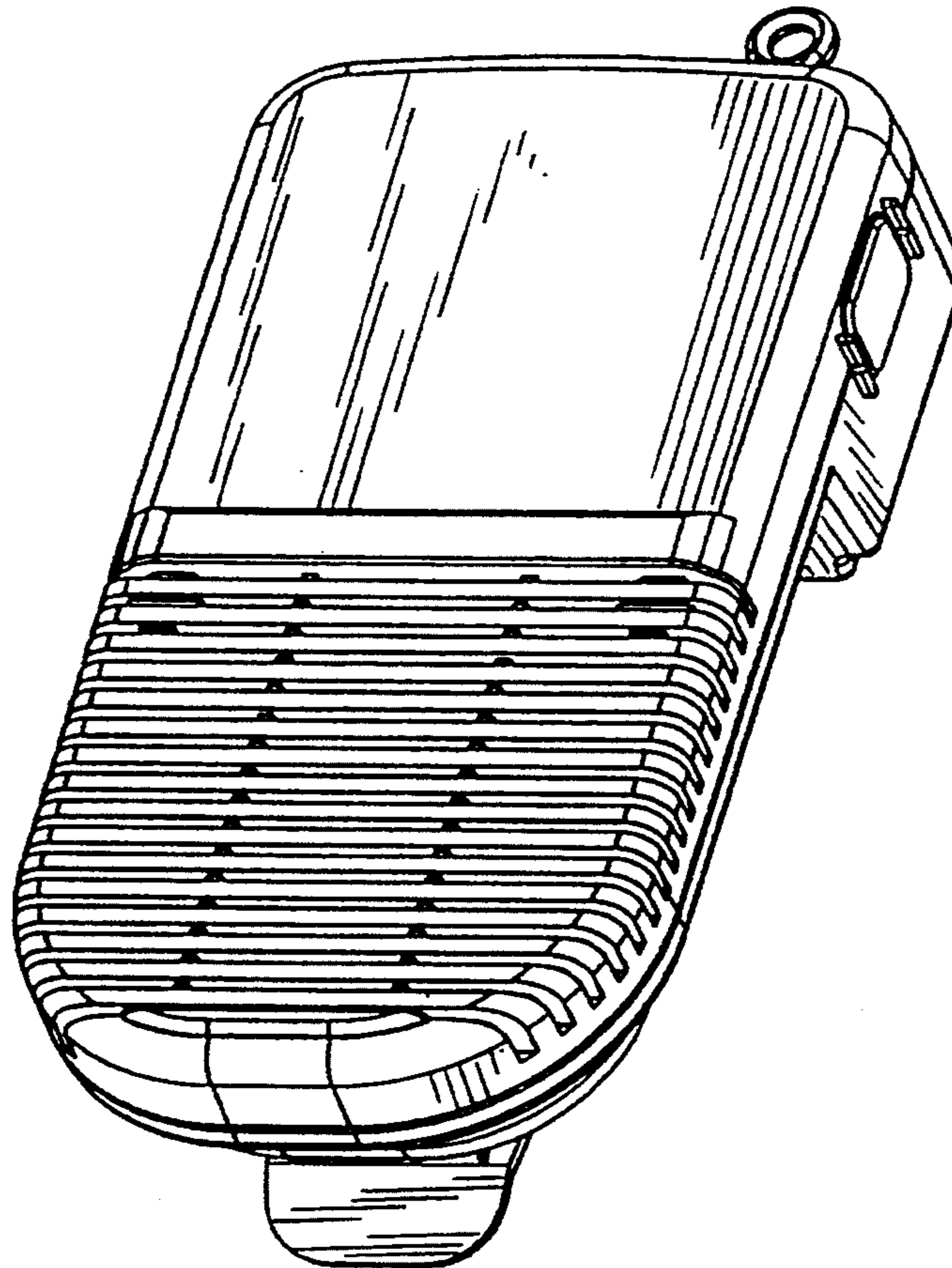
The ornamental design for a personal security alarm, as shown and described.

**DESCRIPTION**

FIG. 1 is a top perspective view of a personal security alarm, showing my new design;  
FIG. 2 is a rear perspective view thereof;  
FIG. 3 is a front elevational view thereof;  
FIG. 4 is a bottom plan view thereof;  
FIG. 5 is a right side elevational view thereof;  
FIG. 6 is a left side elevational view thereof; and,  
FIG. 7 is a top end elevational view thereof.

[56] **References Cited**  
**U.S. PATENT DOCUMENTS**

D. 260,008 7/1981 Wistrand ..... D10/106  
D. 275,375 9/1984 Schwartz ..... D10/106  
D. 283,806 5/1986 Harris ..... D10/106



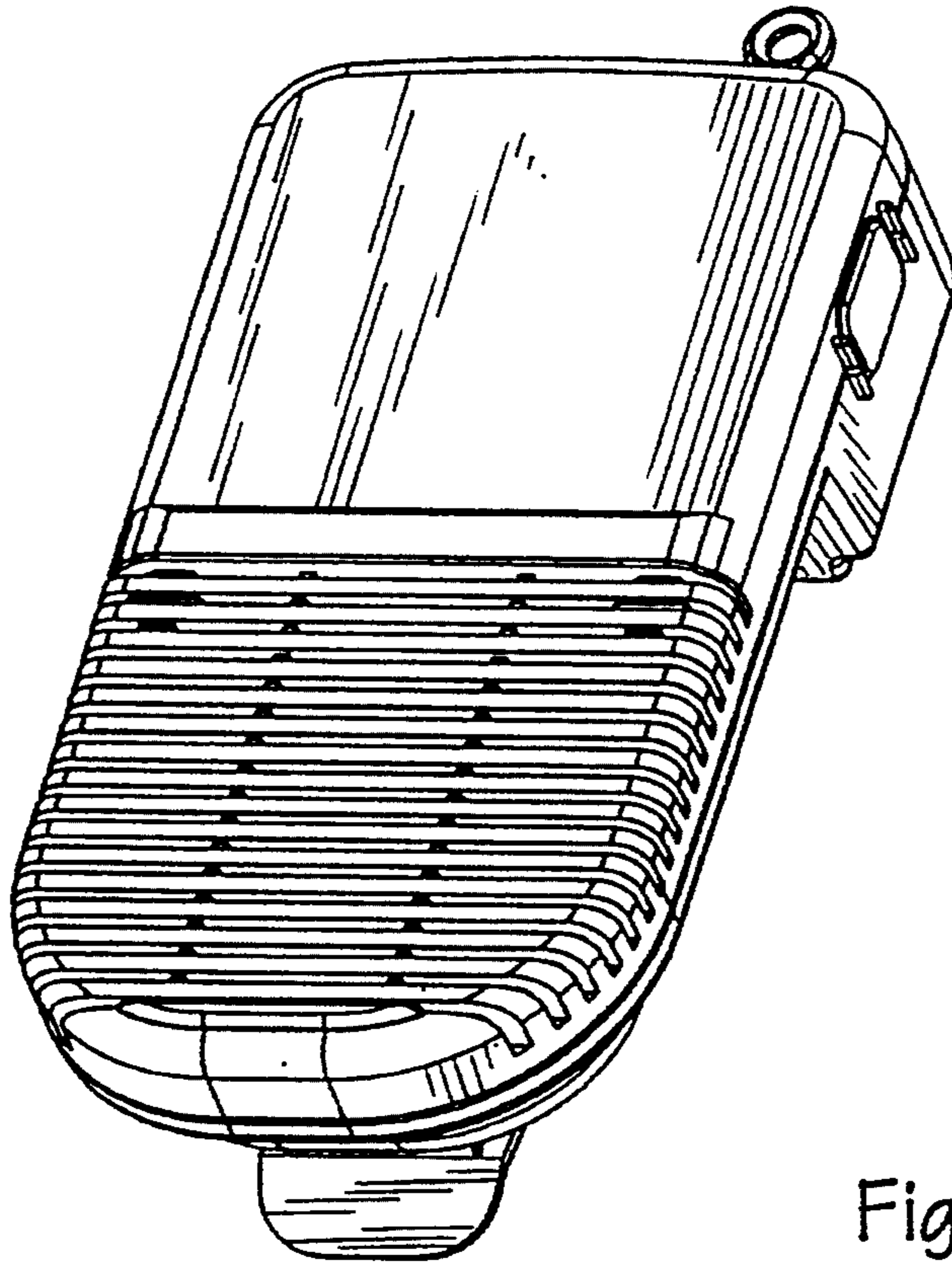


Fig. 1

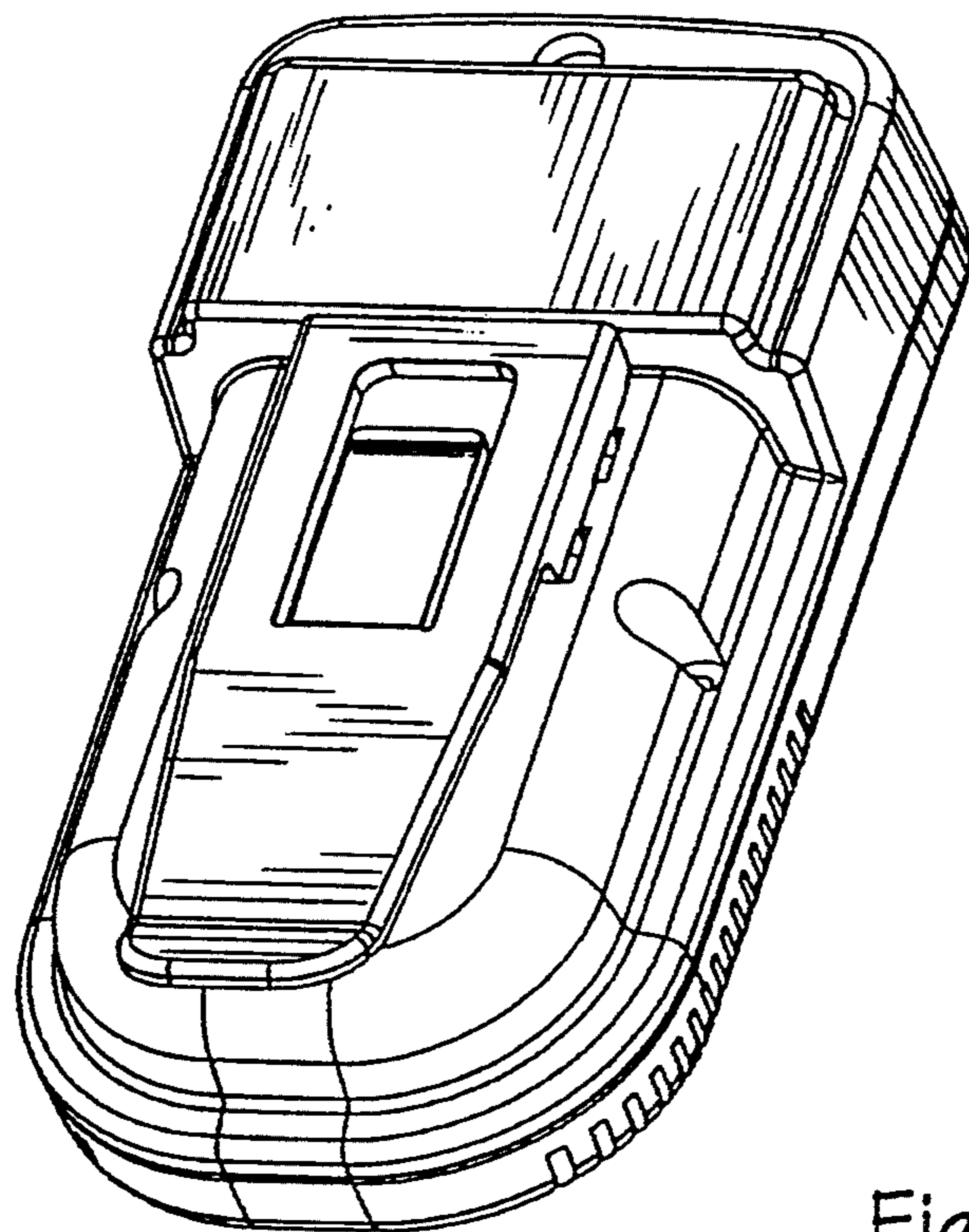


Fig. 2

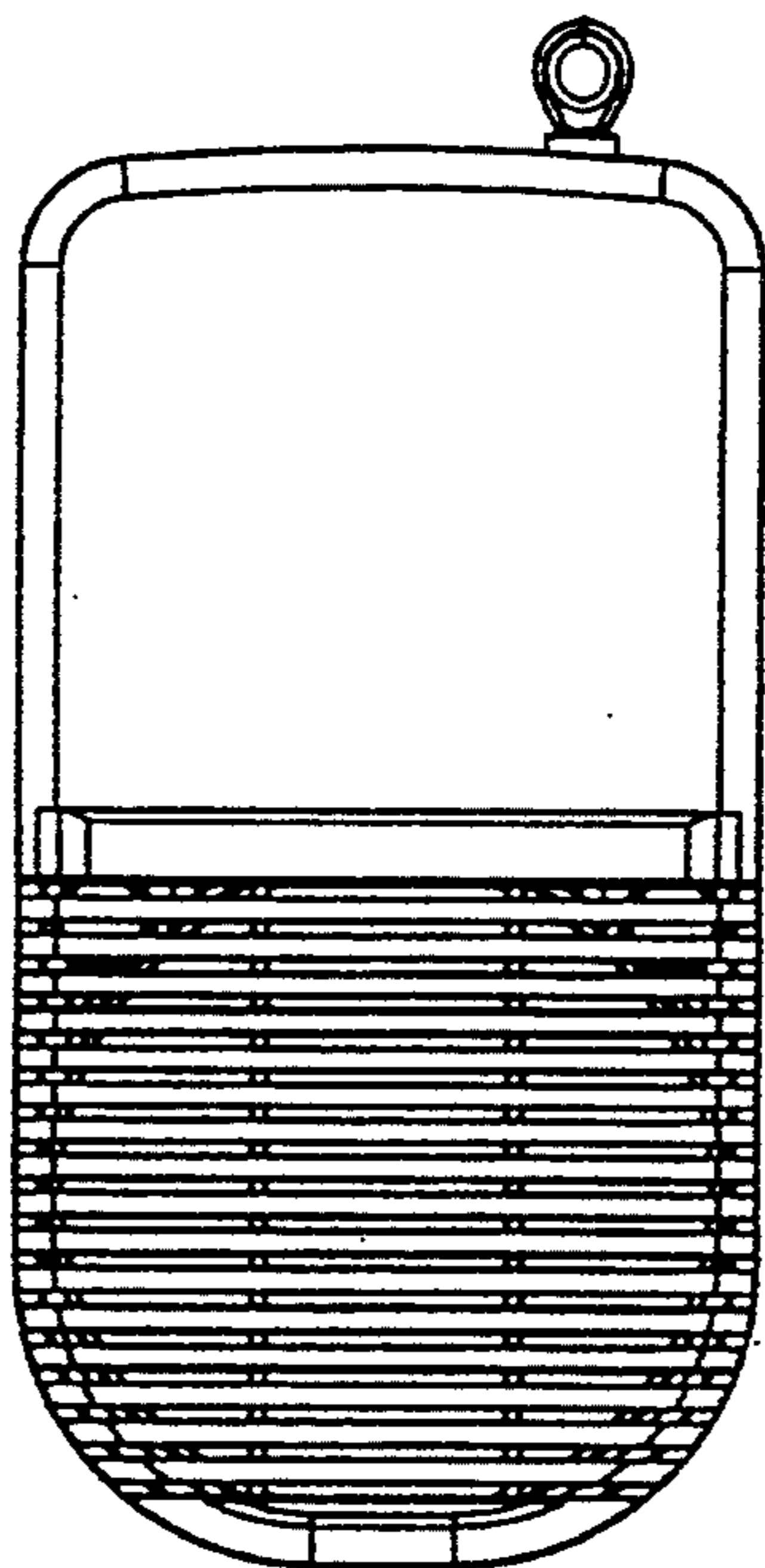


Fig. 3

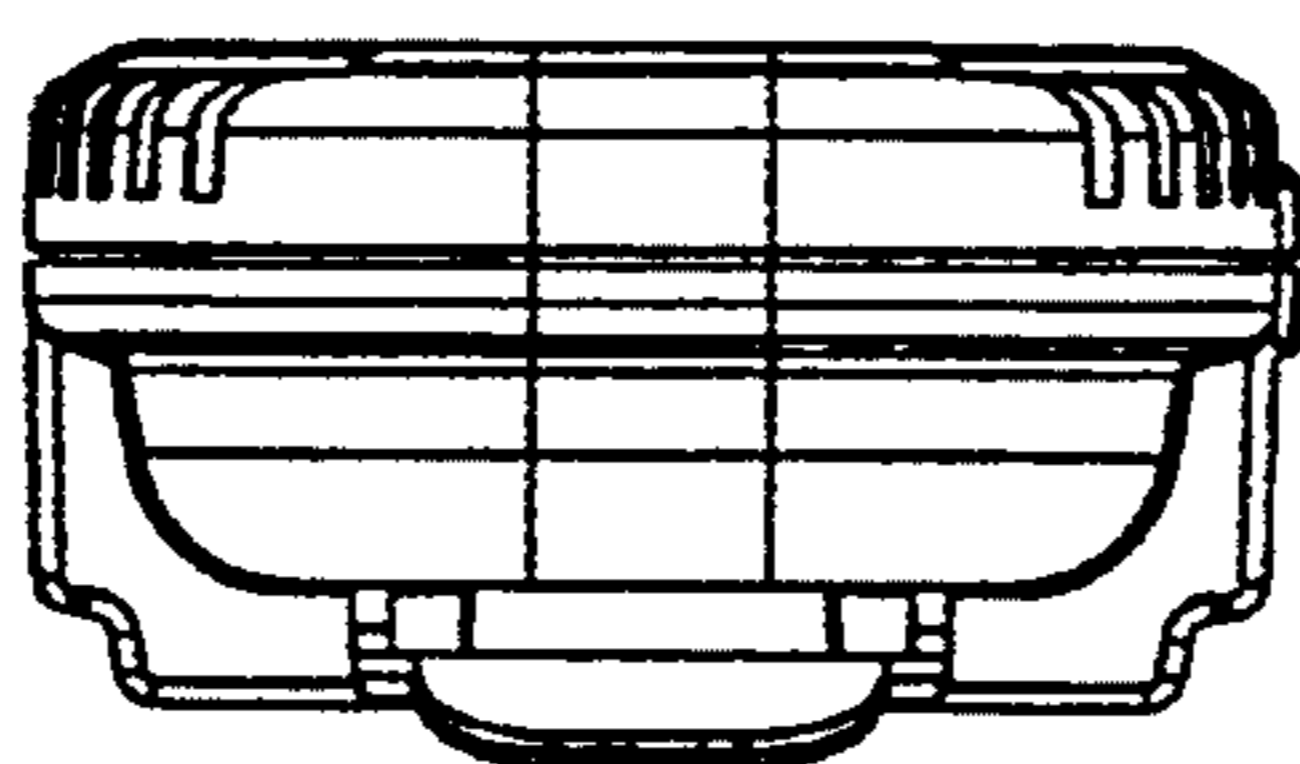


Fig. 4

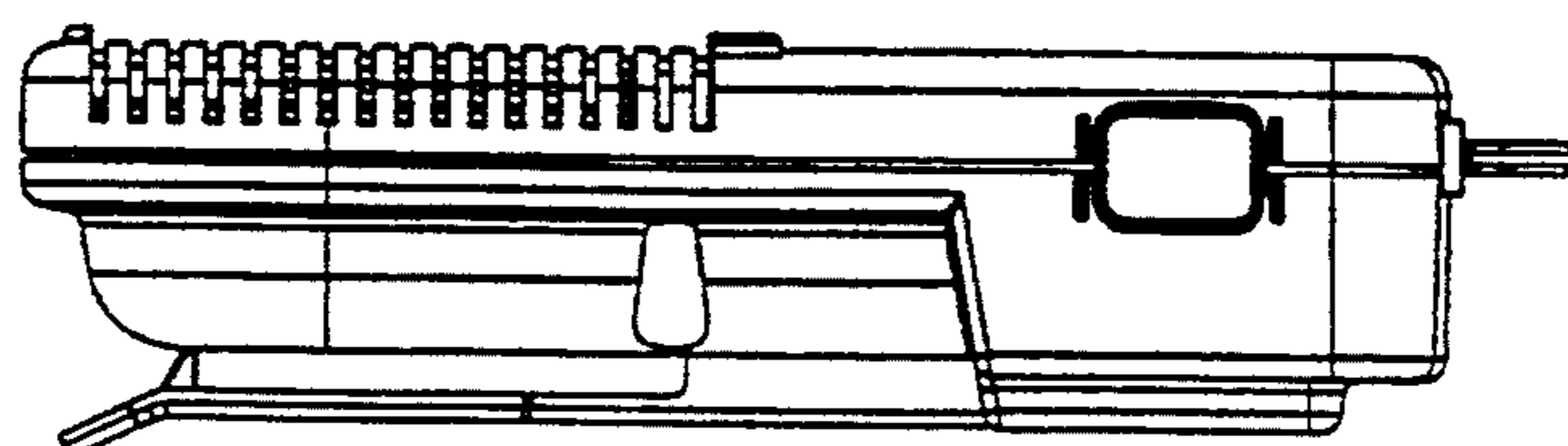


Fig. 5

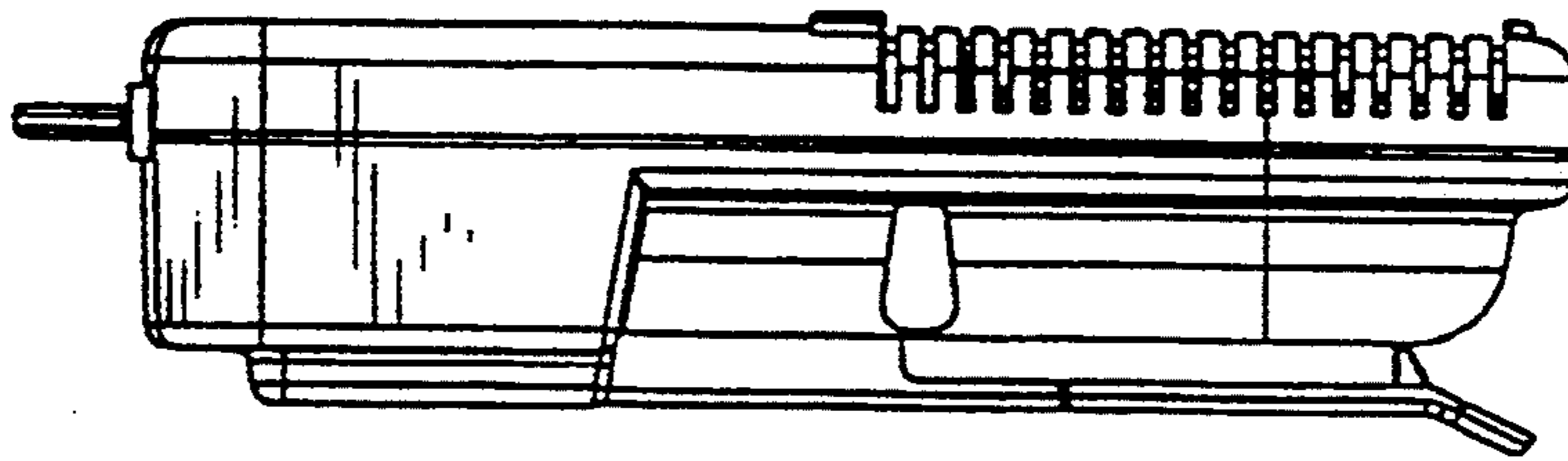


Fig. 6

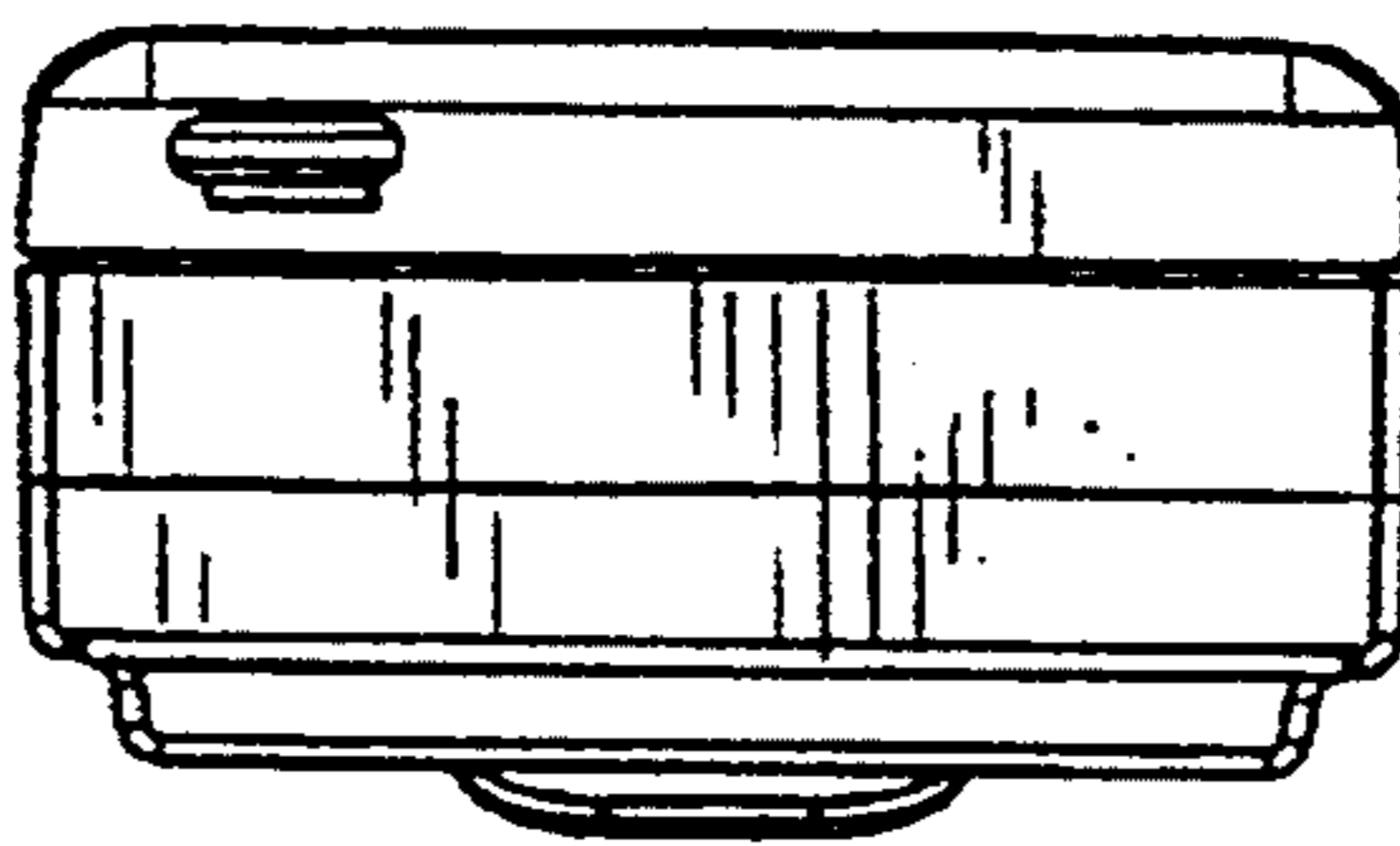


Fig. 7