



US00D355617S

United States Patent [19]
Clark

[11] **Patent Number: Des. 355,617**
[45] **Date of Patent: ** Feb. 21, 1995**

[54] **BULLNOSE TEMPLATE**

[76] **Inventor: Robert L. Clark, 2230 W. Ontario St., Philadelphia, Pa. 19140**

[**] **Term: 14 Years**

[21] **Appl. No.: 15,092**

[22] **Filed: Dec. 6, 1993**

Related U.S. Application Data

[63] Continuation-in-part of Ser. No. 857,791, Mar. 18, 1992, abandoned.

[52] **U.S. Cl. D10/64**

[58] **Field of Search D10/64; D8/1, 396; D23/393, 395, 386; D25/119; 33/562-564**

[56] **References Cited**

U.S. PATENT DOCUMENTS

- D. 26,201 10/1896 Turner D25/119
- D. 29,796 12/1898 Lane D25/119
- D. 31,086 6/1899 Caldwell D25/119 X

OTHER PUBLICATIONS

Modern Plastics; Sandee Plastics Section; May 1944; p. 181.

Primary Examiner—Alan P. Douglas

Assistant Examiner—Antoine D. Davis

Attorney, Agent, or Firm—Dan, Dorfman, Herrell and Skillman; Henry H. Skillman

[57] **CLAIM**

The ornamental design for a bullnose template, as shown and described.

DESCRIPTION

FIG. 1 is a top plan view of a bullnose template showing my design, with an intermediate portion broken away for purposes of illustration;

FIG. 2 is a bottom plan view of the template shown in FIG. 1;

FIG. 3 is a front view of the template shown in FIG. 1;

FIG. 4 is a rear view of the template shown in FIG. 1;

FIG. 5 is a righthand end elevation of the template shown in FIG. 1;

FIG. 6 is a lefthand end elevation of the template shown in FIG. 1; and,

FIG. 7 is a rear perspective view of the entire bullnose template, the broken line showing of cement formwork is for illustrative purposes only and forms no part of the claimed design.

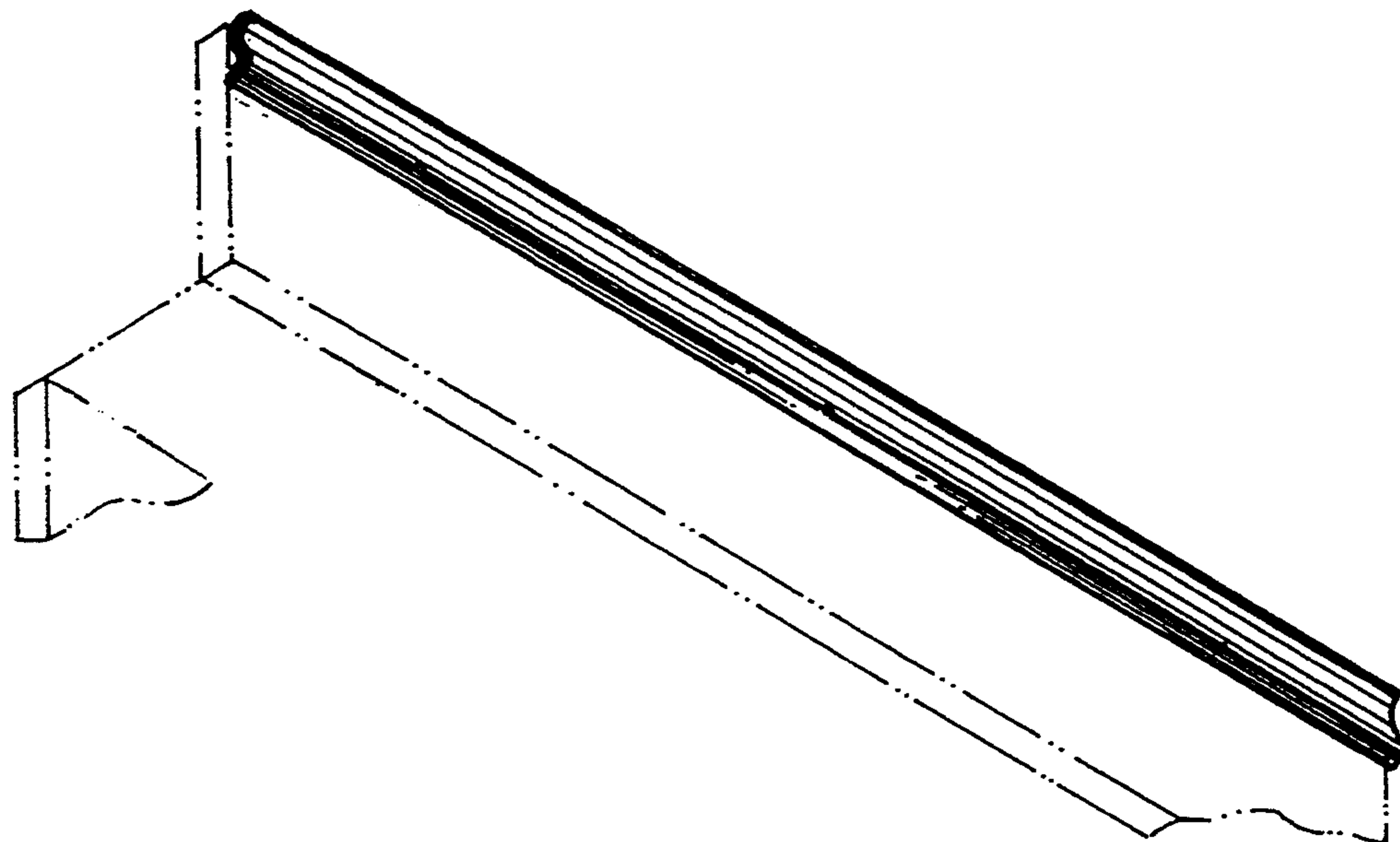


FIG. 1



FIG. 2



FIG. 3

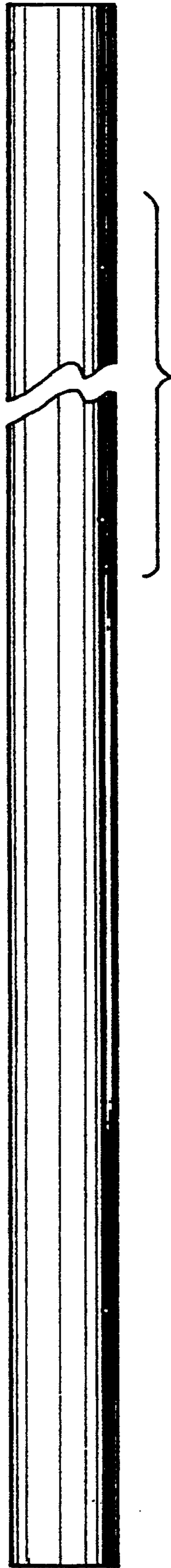
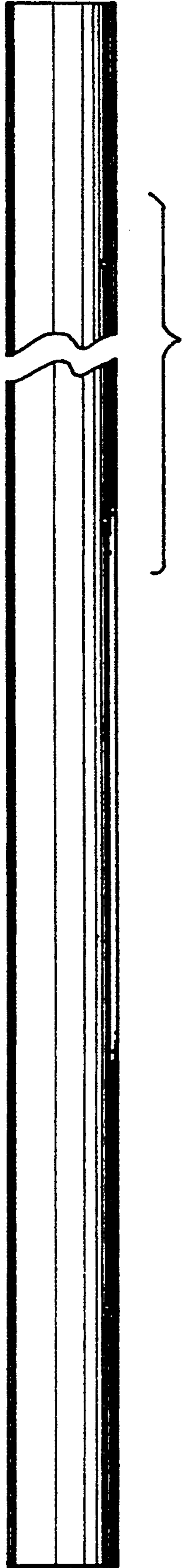


FIG. 4



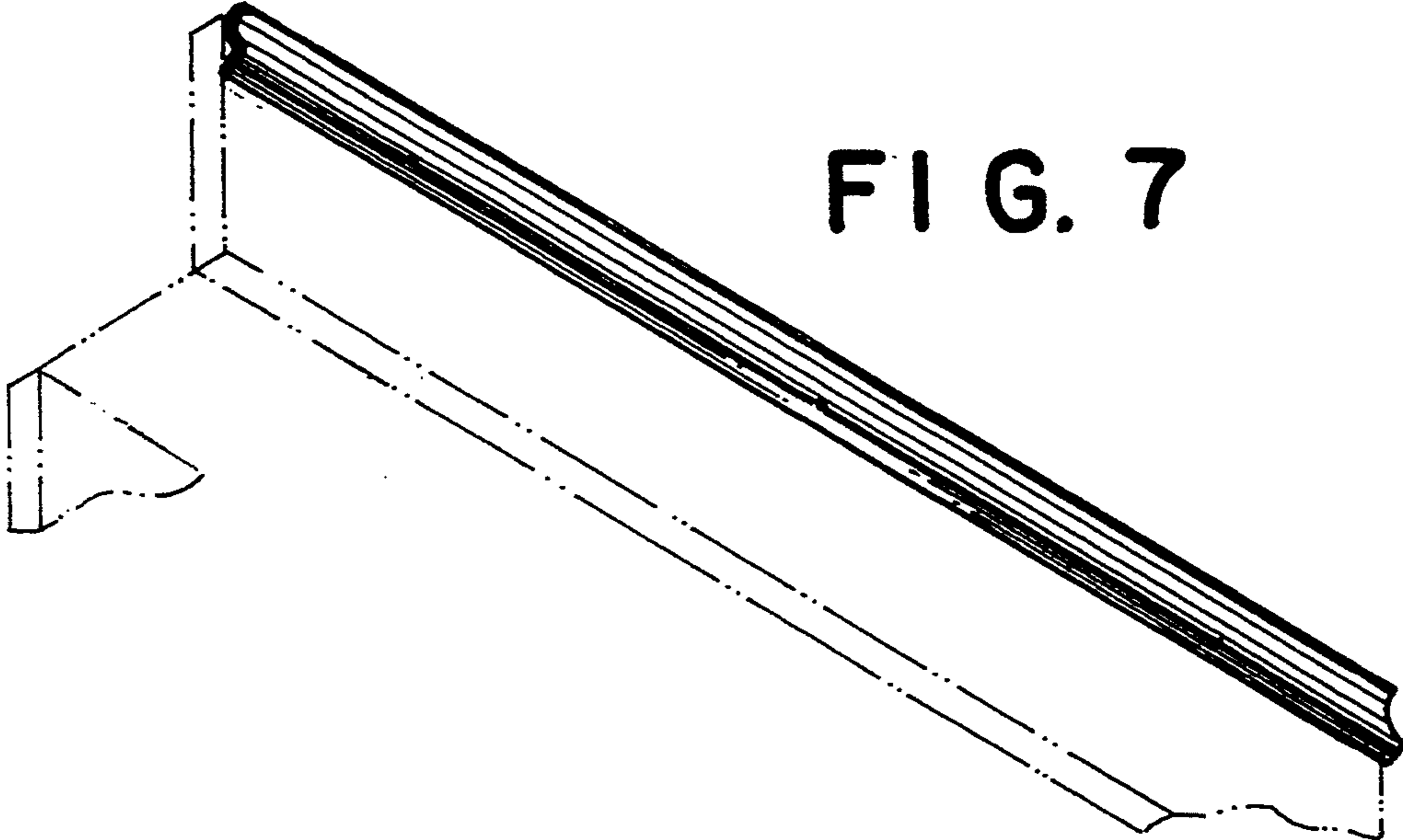


FIG. 7

FIG. 5



FIG. 6

