



US00D355607S

**United States Patent** [19]  
**Pan**

[11] **Patent Number: Des. 355,607**  
[45] **Date of Patent: \*\* Feb. 21, 1995**

[54] **PROJECTION CLOCK**  
[76] **Inventor: Chih H. Pan, P.O. Box 82-144,  
Taipei, Taiwan, Prov. of China**  
[\*\*] **Term: 14 Years**  
[21] **Appl. No.: 298**  
[22] **Filed: Oct. 13, 1992**  
[52] **U.S. Cl. .... D10/1**  
[58] **Field of Search ..... D10/1-40,  
D10/122-132; 368/79, 223, 239**

3,136,210 6/1964 Barrett ..... 368/79  
5,247,492 9/1993 Pan ..... 368/239  
5,260,919 11/1993 Tsai ..... 368/223

*Primary Examiner—Nelson C. Holtje  
Attorney, Agent, or Firm—Alfred Lei*

[57] **CLAIM**

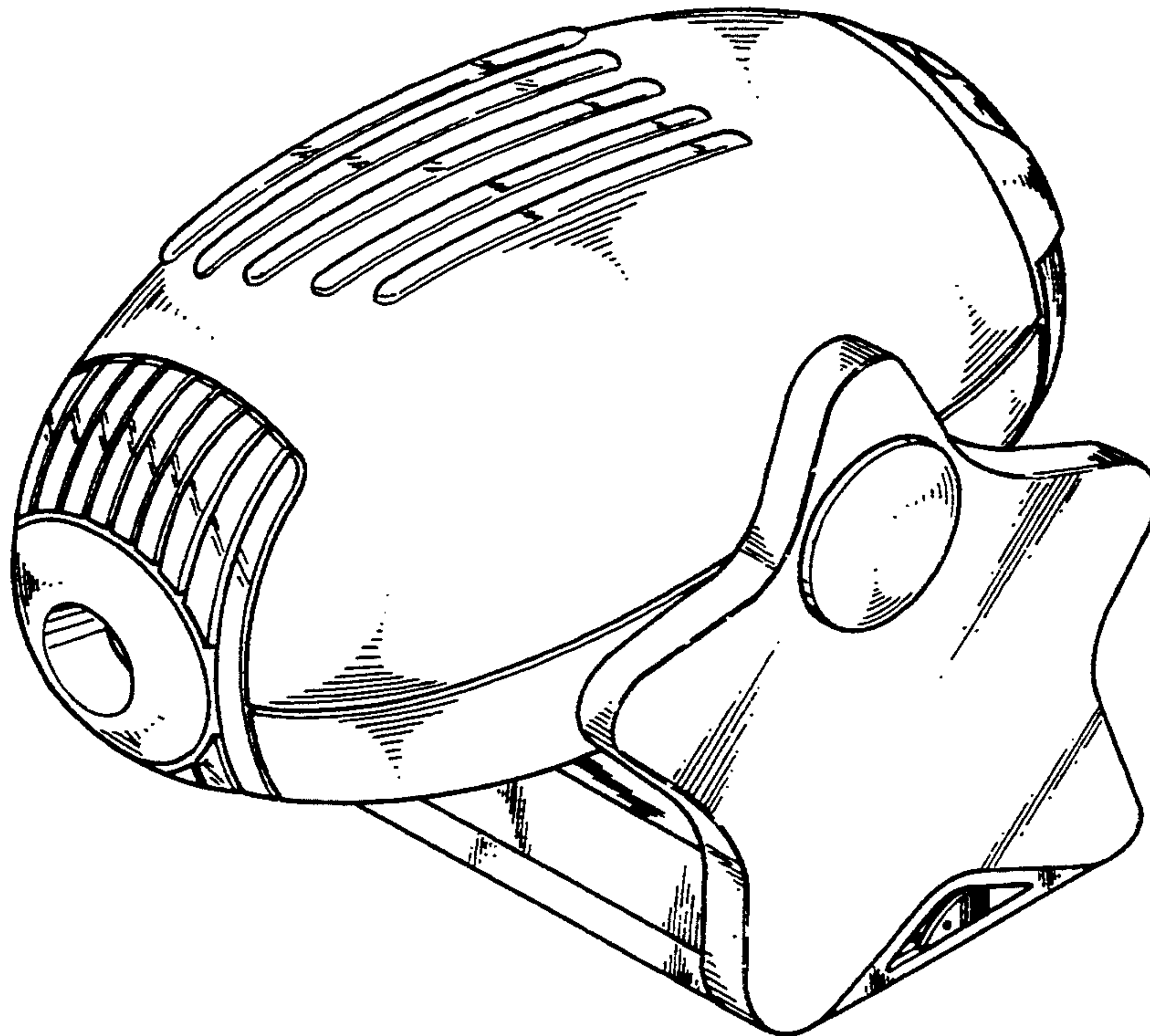
The ornamental design for a projection clock, as shown and described.

**DESCRIPTION**

FIG. 1 is a right front perspective view of a projection clock showing my new design;  
FIG. 2 is a right side elevational view thereof, the left side being a mirror image thereto;  
FIG. 3 is a front elevational view thereof;  
FIG. 4 is a rear elevational view thereof;  
FIG. 5 is a top plan view thereof; and,  
FIG. 6 is a bottom plan view thereof.

[56] **References Cited**  
**U.S. PATENT DOCUMENTS**

D. 337,787 7/1993 Oga ..... D19/69  
813,836 2/1906 Smith ..... 368/79  
2,201,376 5/1946 Prins ..... 368/79  
2,358,422 9/1944 Springer ..... 368/280 X  
2,726,571 12/1955 Chang ..... 368/79



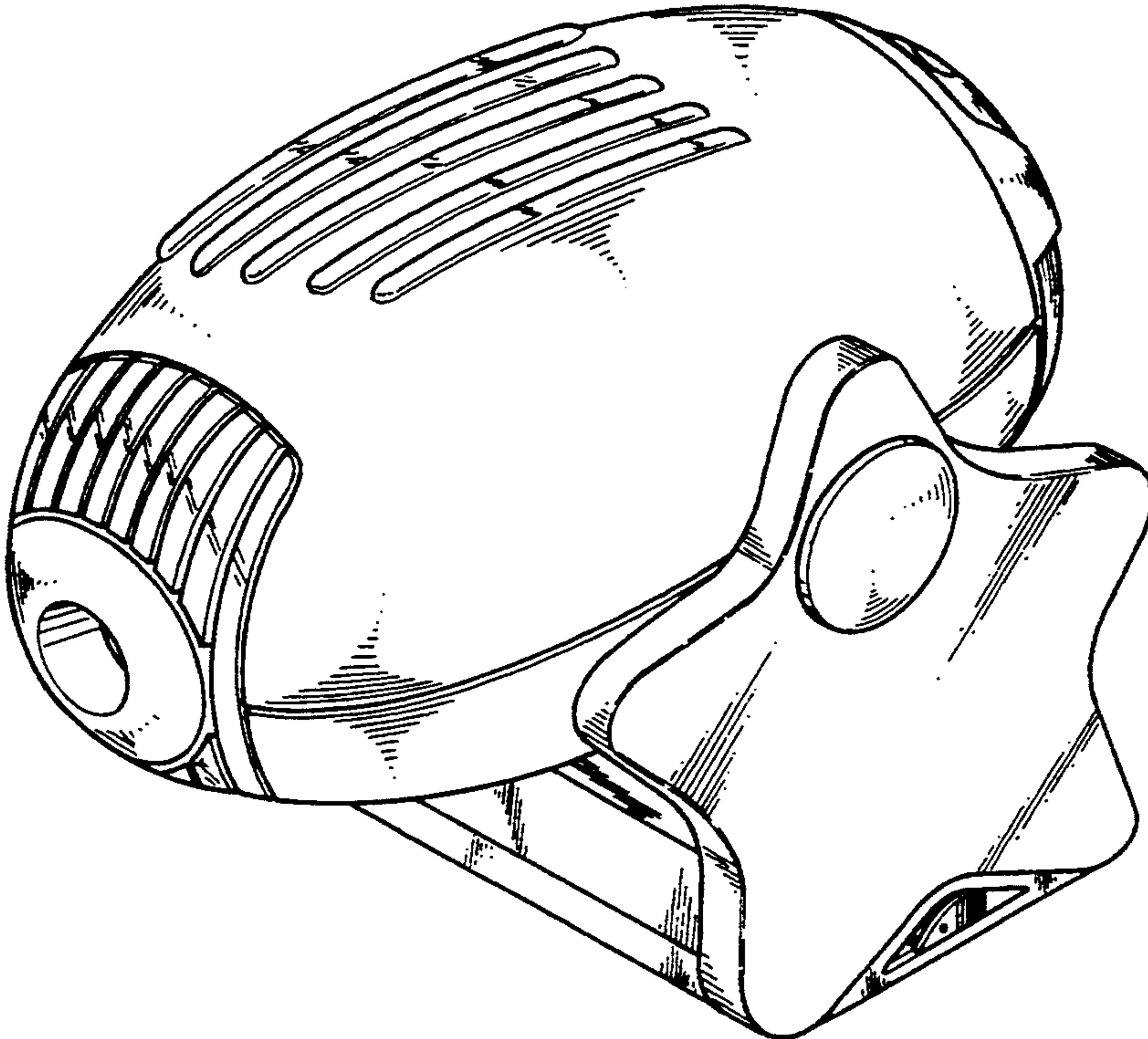


FIG. 1

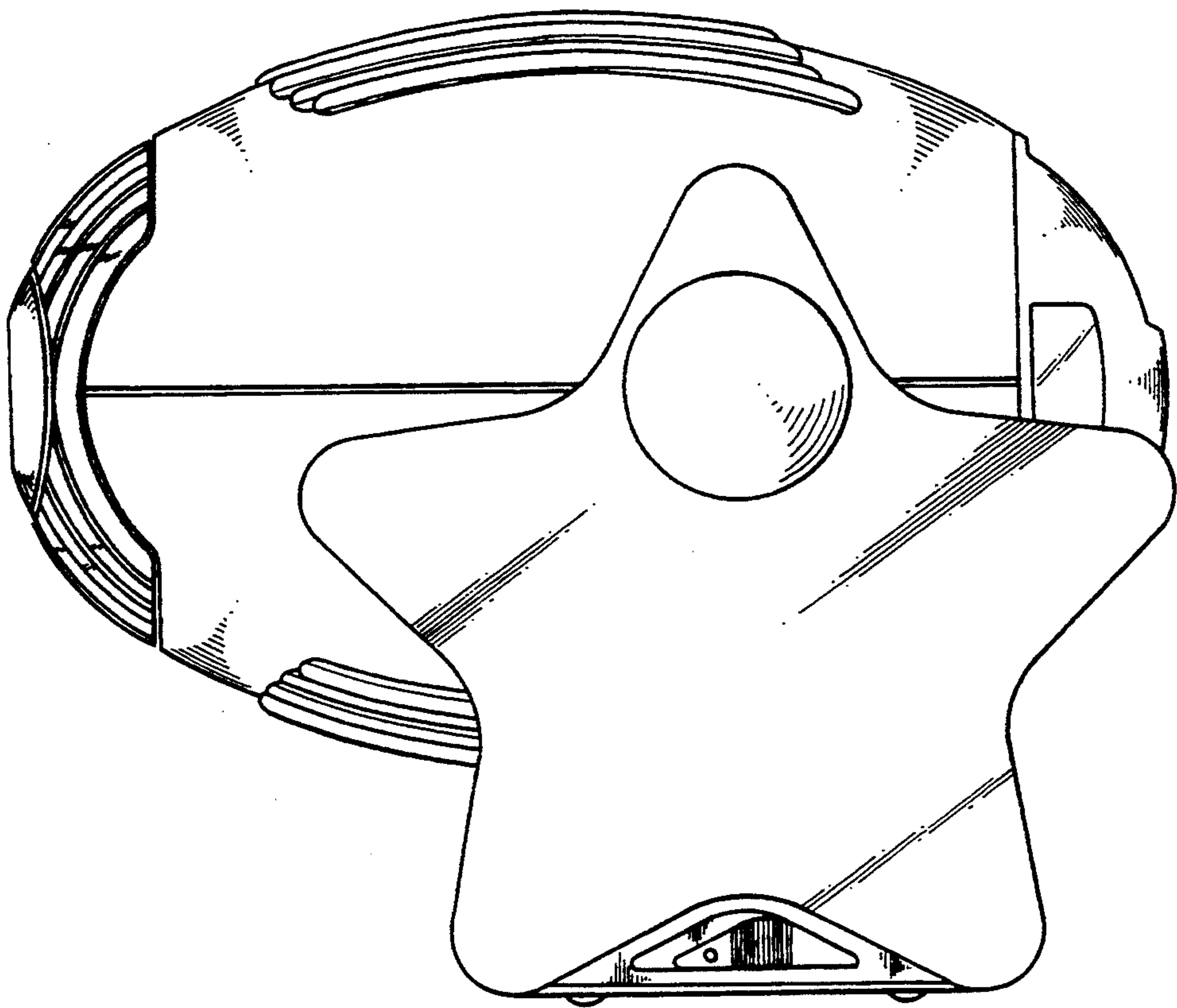


FIG. 2

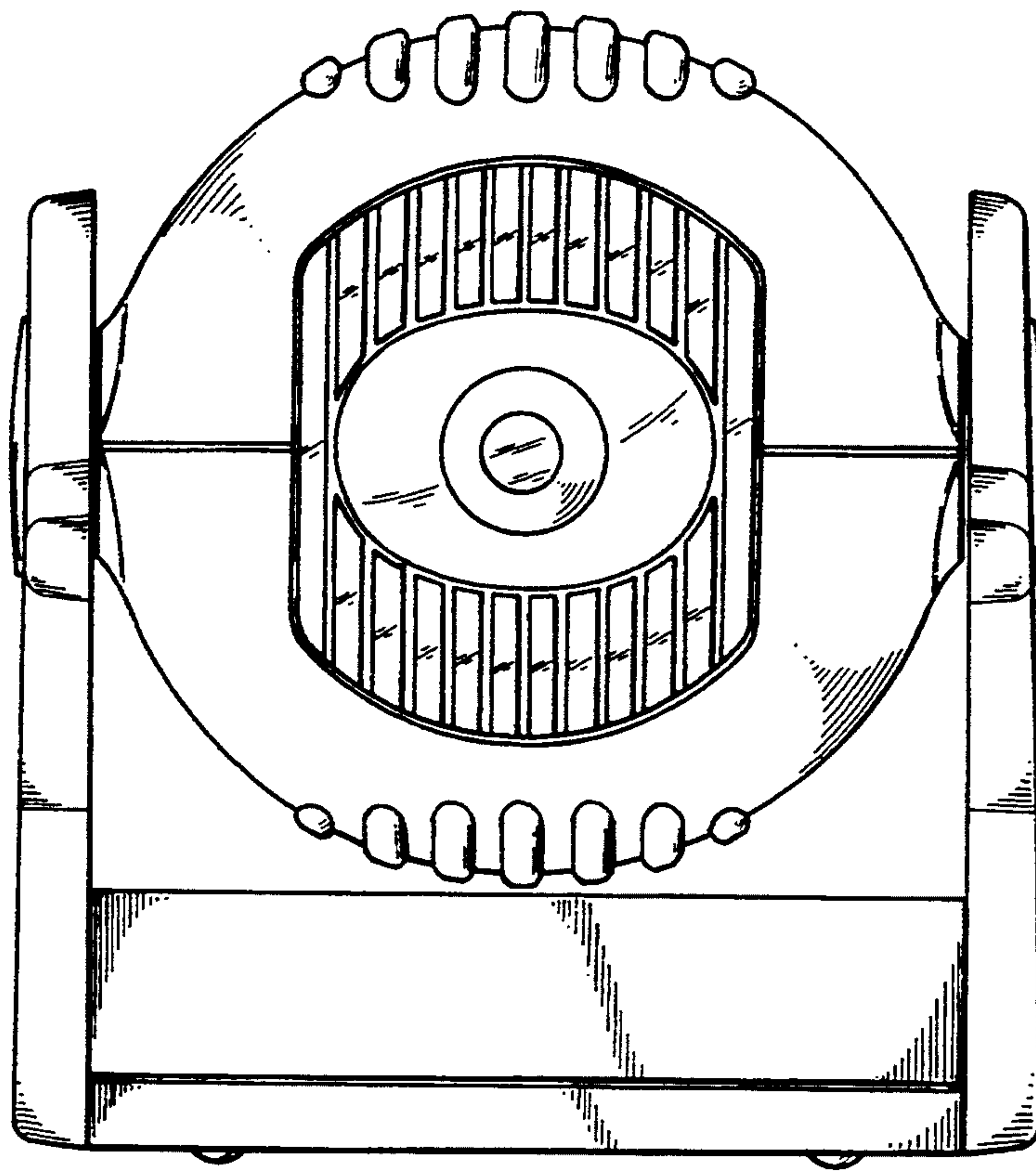


FIG. 3

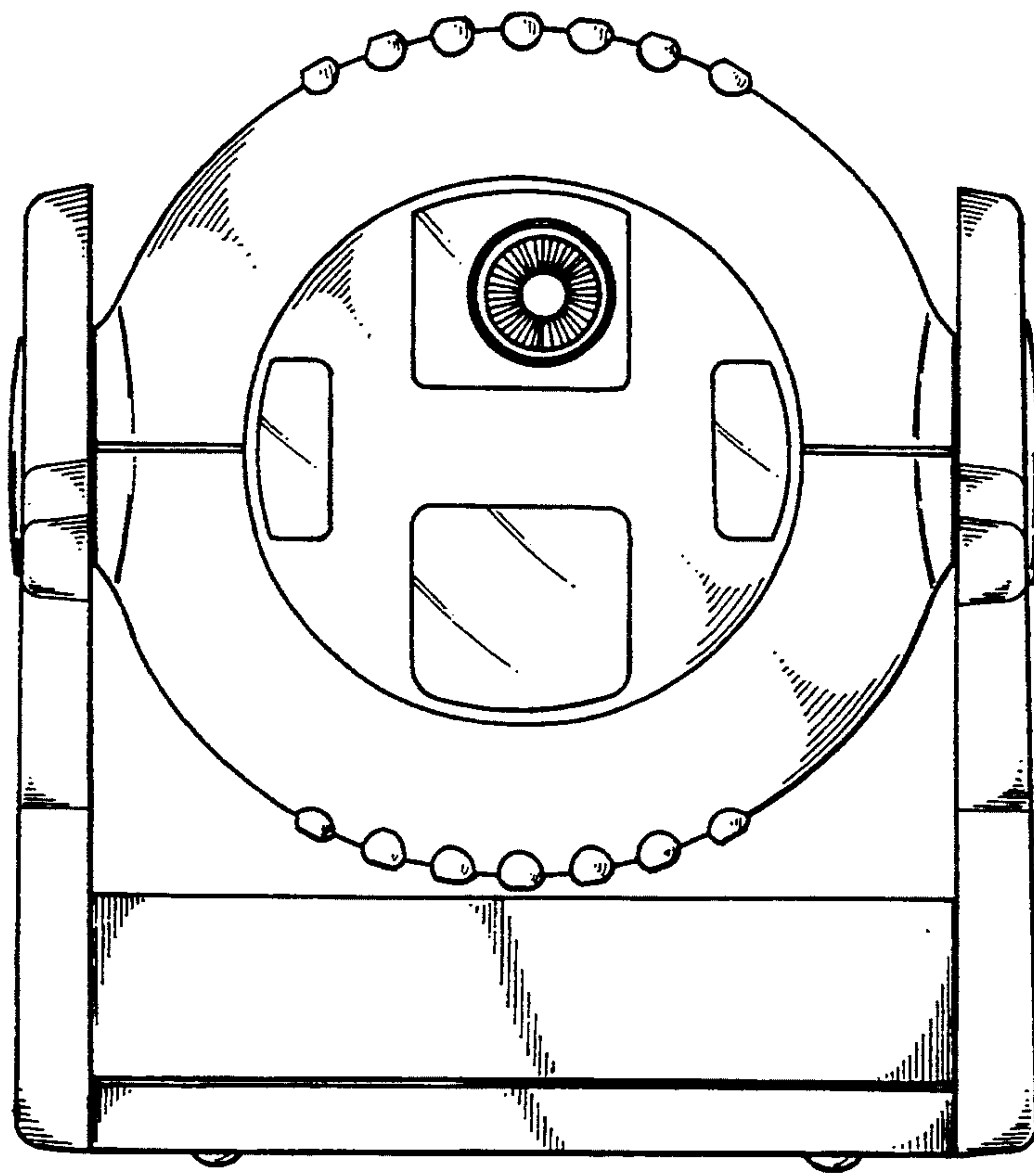


FIG. 4



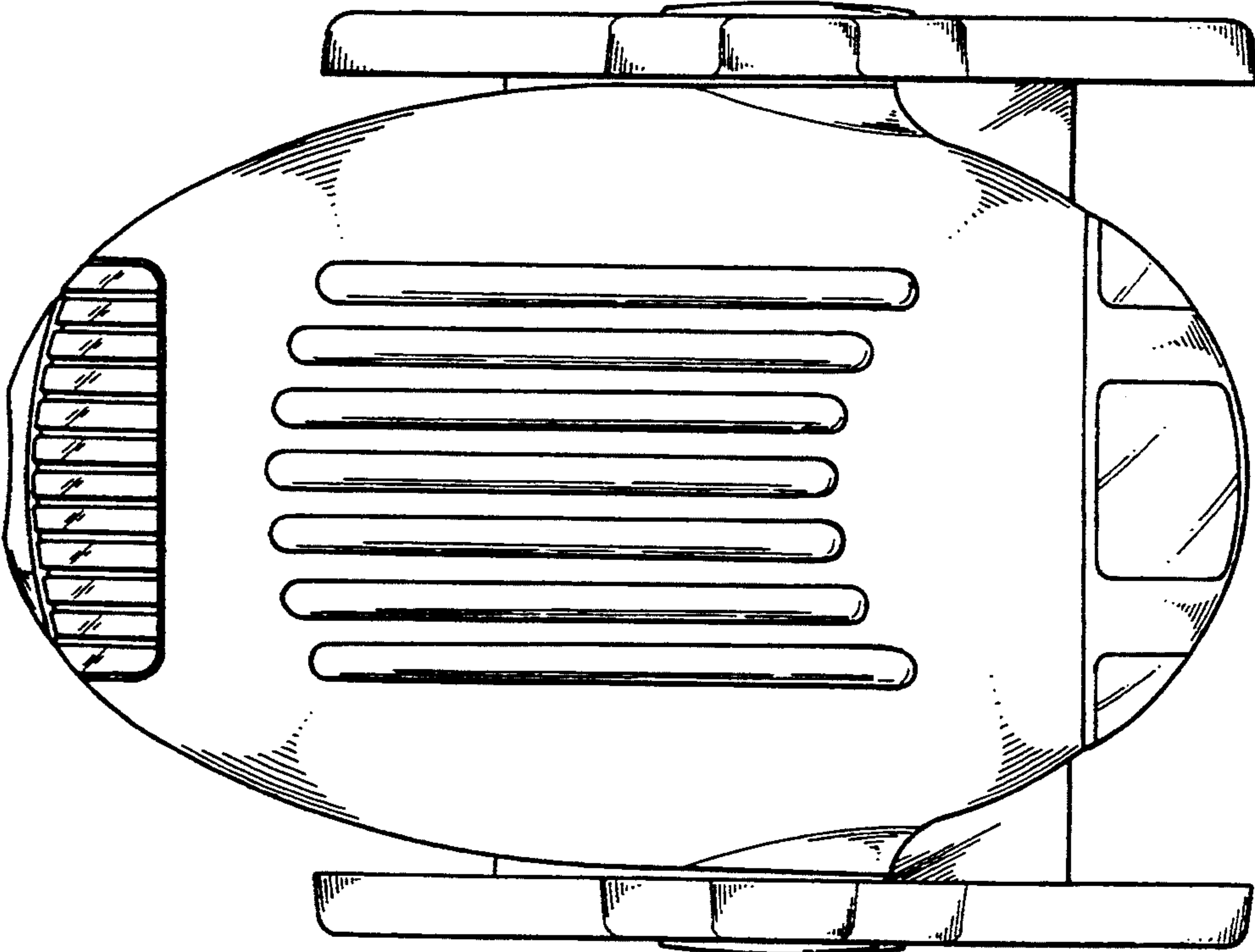


FIG. 5

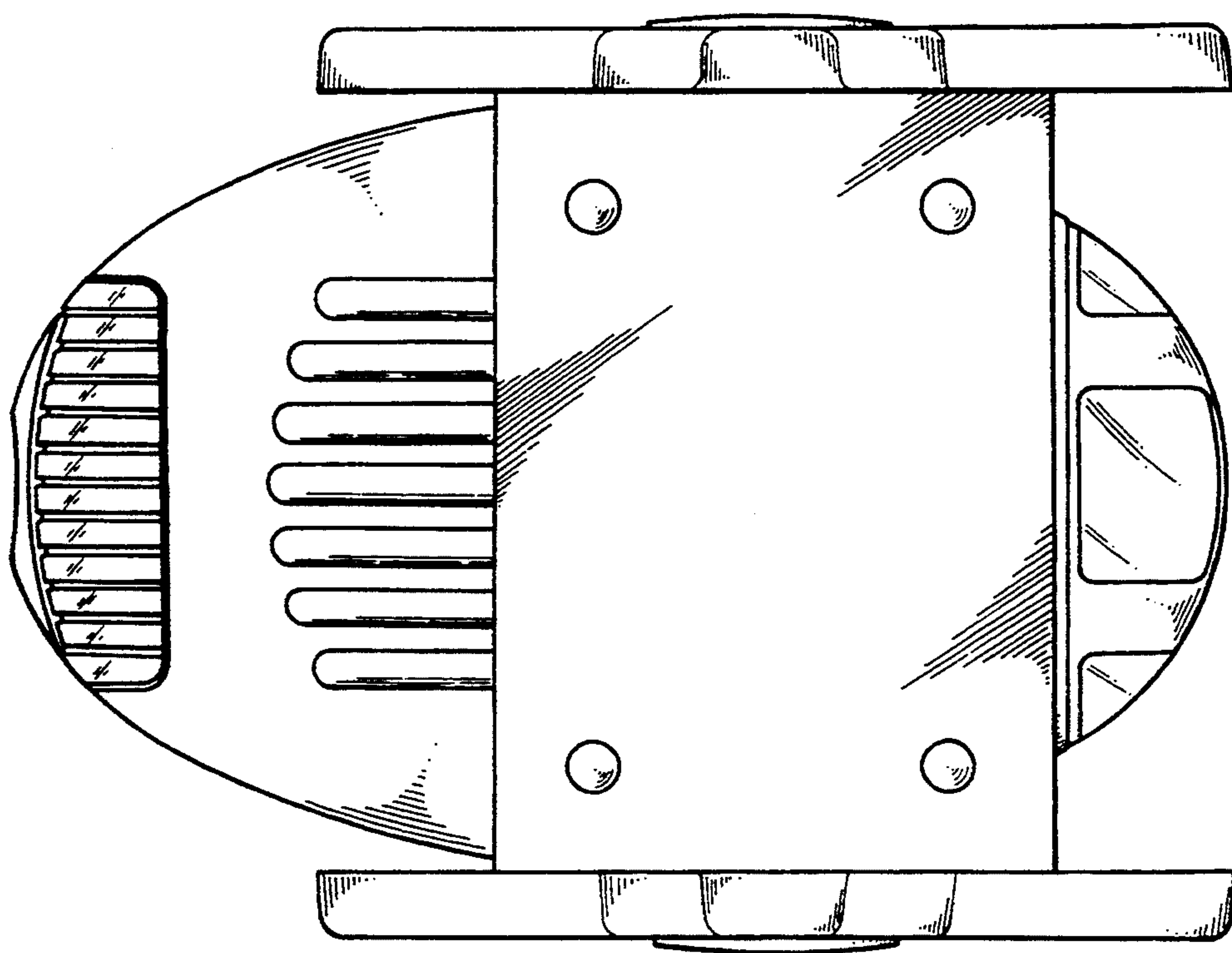


FIG. 6