



US00D355606S

United States Patent [19]

[11] Patent Number: **Des. 355,606**

Manera

[45] Date of Patent: **** Feb. 21, 1995**

- [54] **NECK OF A GLASS VIAL**
- [75] Inventor: **David A. Manera, Vineland, N.J.**
- [73] Assignee: **Comar, Inc., Vineland, N.J.**
- [**] Term: **14 Years**
- [21] Appl. No.: **11,583**
- [22] Filed: **Aug. 10, 1993**
- [52] U.S. Cl. **D9/546; D9/434; D9/559; D24/224**
- [58] Field of Search **D9/544, 545, 546, 559, D9/505, 434; 215/31, 1 R, 1 C; 422/102; D24/224**

3,964,627 6/1976 Hennings .

FOREIGN PATENT DOCUMENTS

5783 of 1904 United Kingdom 215/31

OTHER PUBLICATIONS

Wheaton Manufacturers Catalog, 1991/1992, p. 22, Narrow Mouth Bottles.

Primary Examiner—Lucy J. Lieberman
Attorney, Agent, or Firm—Brady, O'Boyle & Gates

[57] CLAIM

The ornamental design for a neck of a glass vial, as shown and described.

[56] References Cited

U.S. PATENT DOCUMENTS

- D. 33,364 10/1900 Lindemeyr .
- D. 181,718 12/1957 DuPree D9/546
- D. 182,882 5/1958 DuPree D9/551
- D. 192,942 5/1962 DuPree D9/544
- D. 201,218 5/1965 Neil D9/546 X
- D. 257,956 1/1981 Ito D9/544
- D. 272,521 2/1984 Glenn D9/520
- 1,796,729 3/1931 Sharp .
- 3,784,040 1/1974 Douglas .

DESCRIPTION

FIG. 1 is a perspective view of the top and one side of a neck of a glass vial showing my new design;
 FIG. 2 is a top plan view thereof;
 FIG. 3 is a bottom plan view thereof; and,
 FIG. 4 is a right side view of FIG. 1, the opposite left side being a mirror image thereof.
 The broken lines showing the lower portion of a vial in FIGS. 2, 3 and 4 are for illustrative purposes only and do not form part of the claimed design.

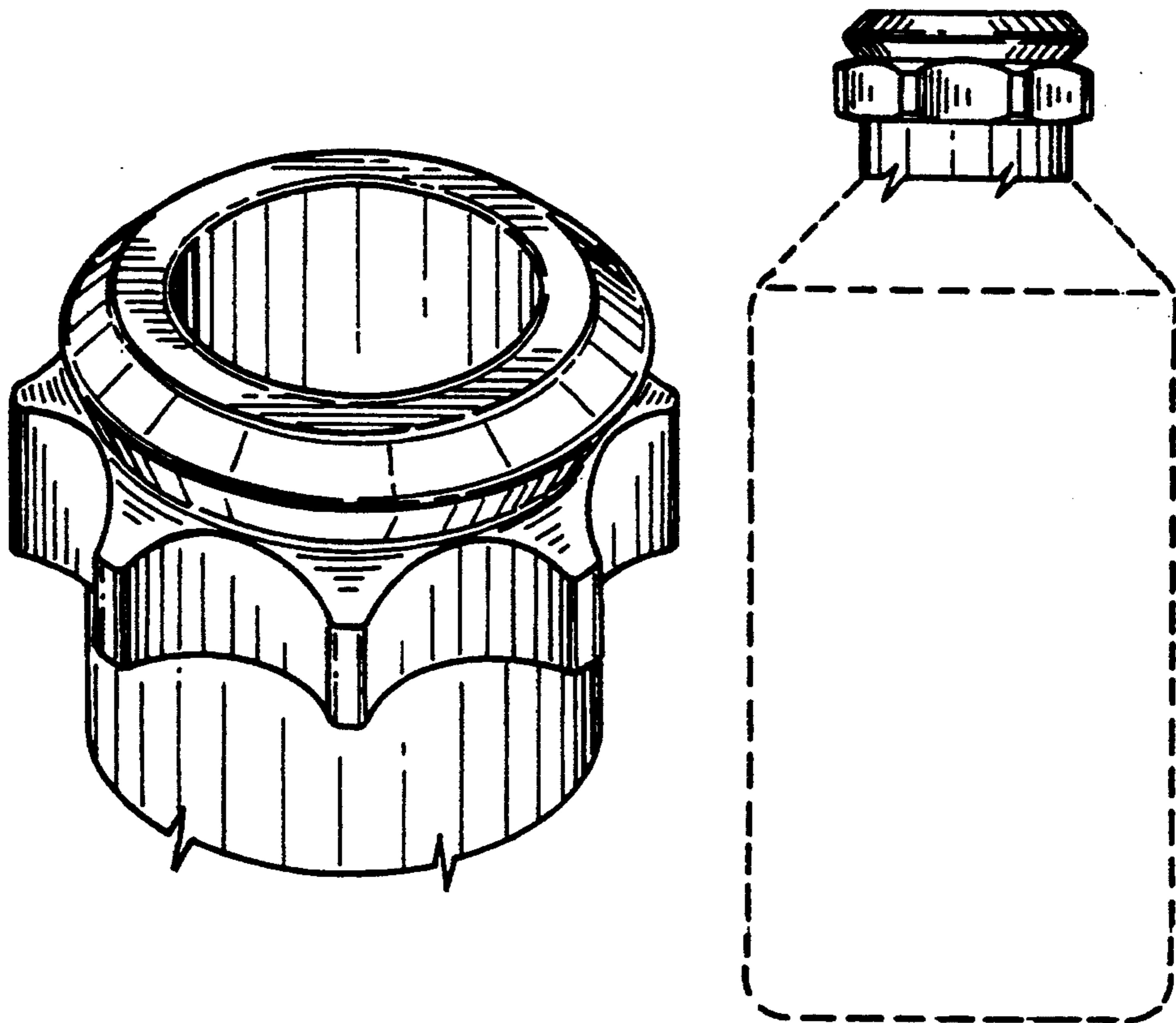


FIG. 1

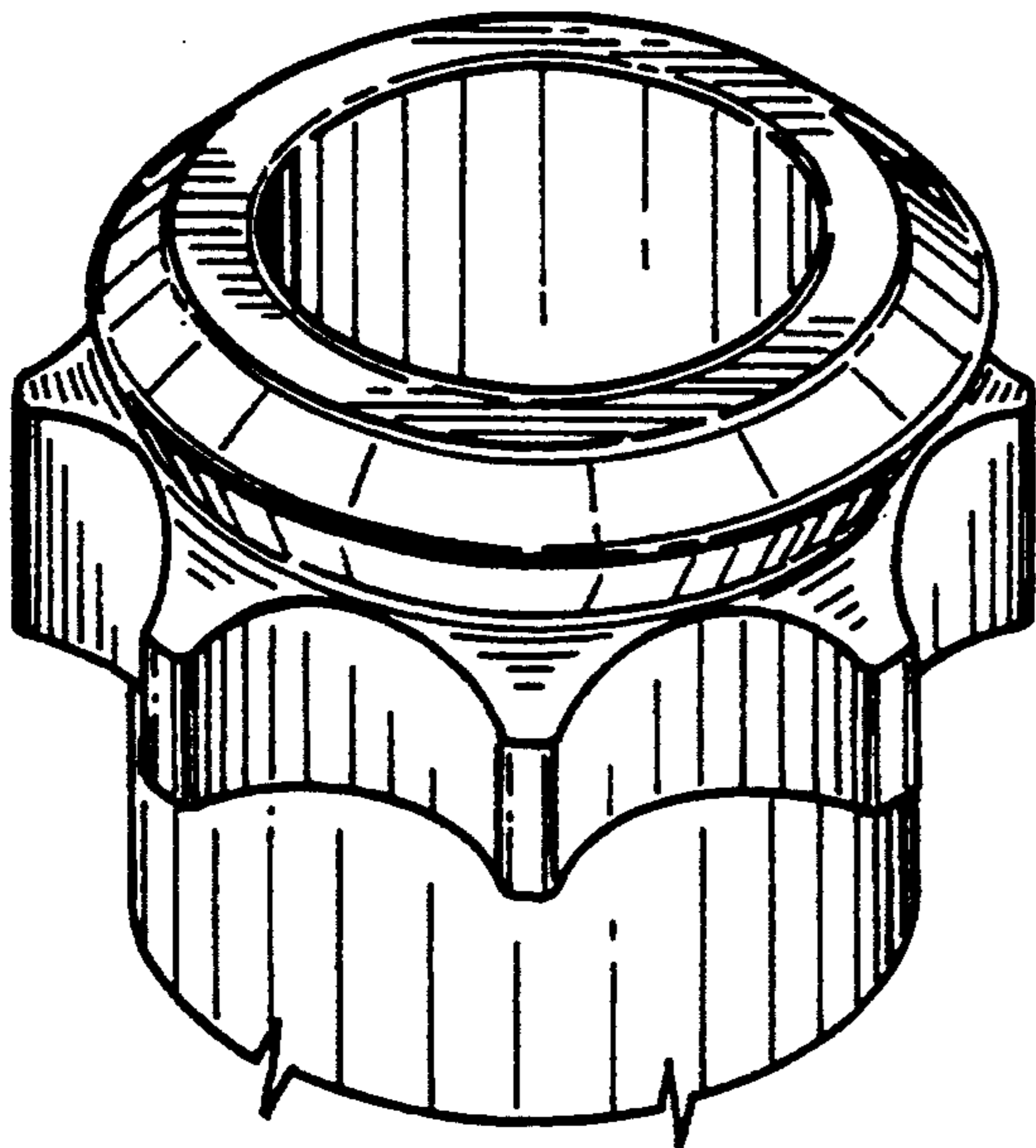


FIG. 2

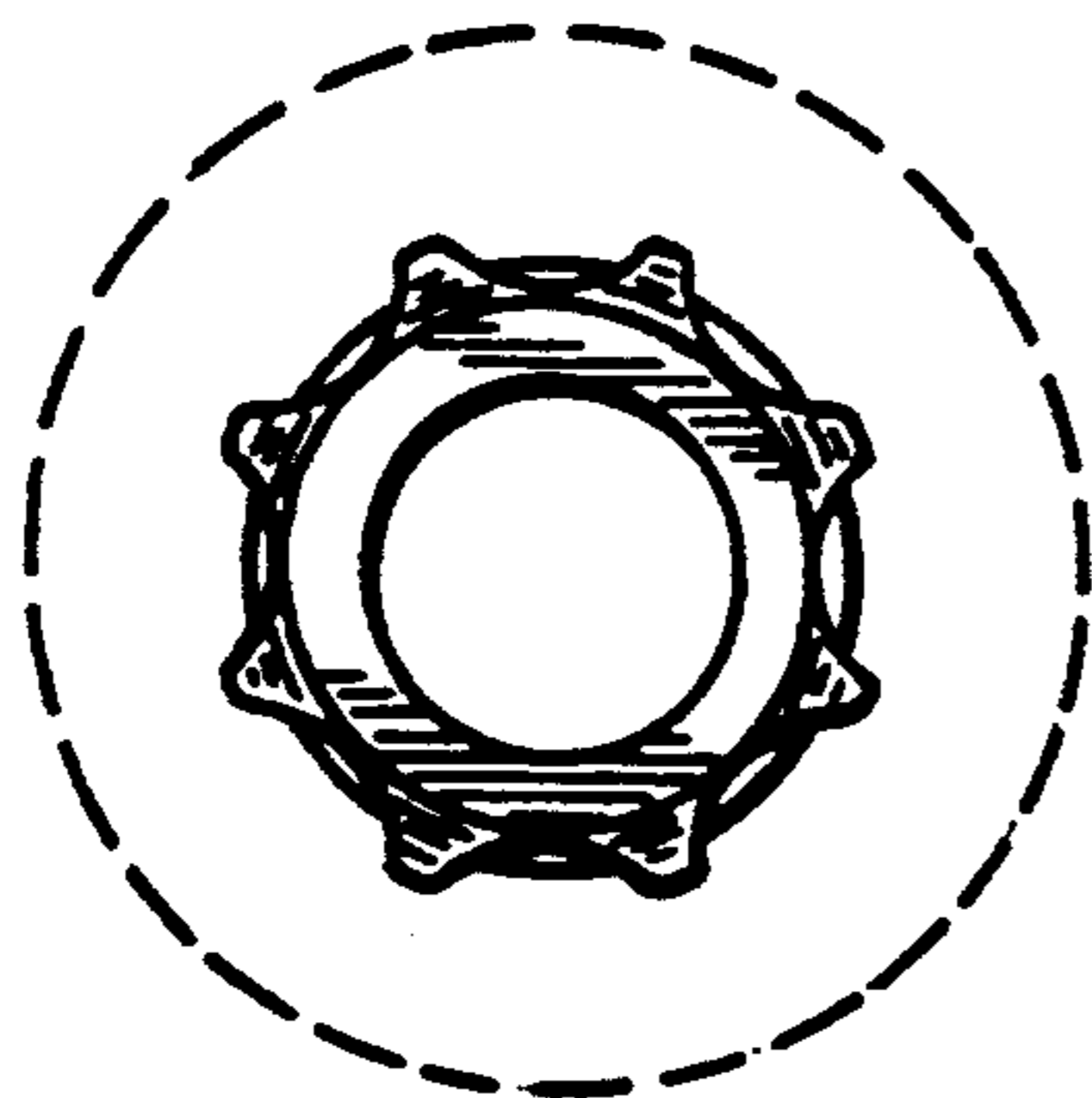
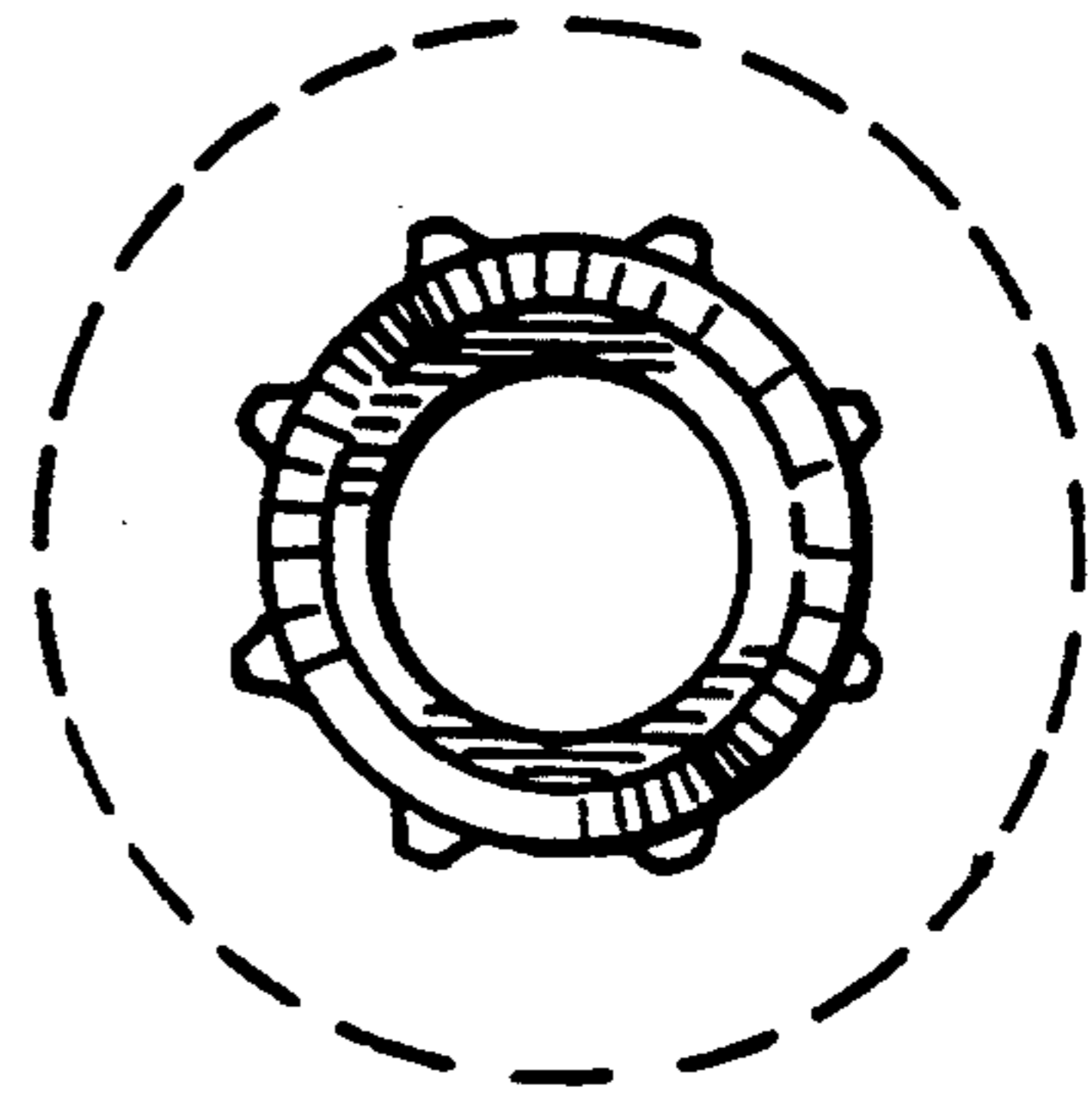


FIG. 3

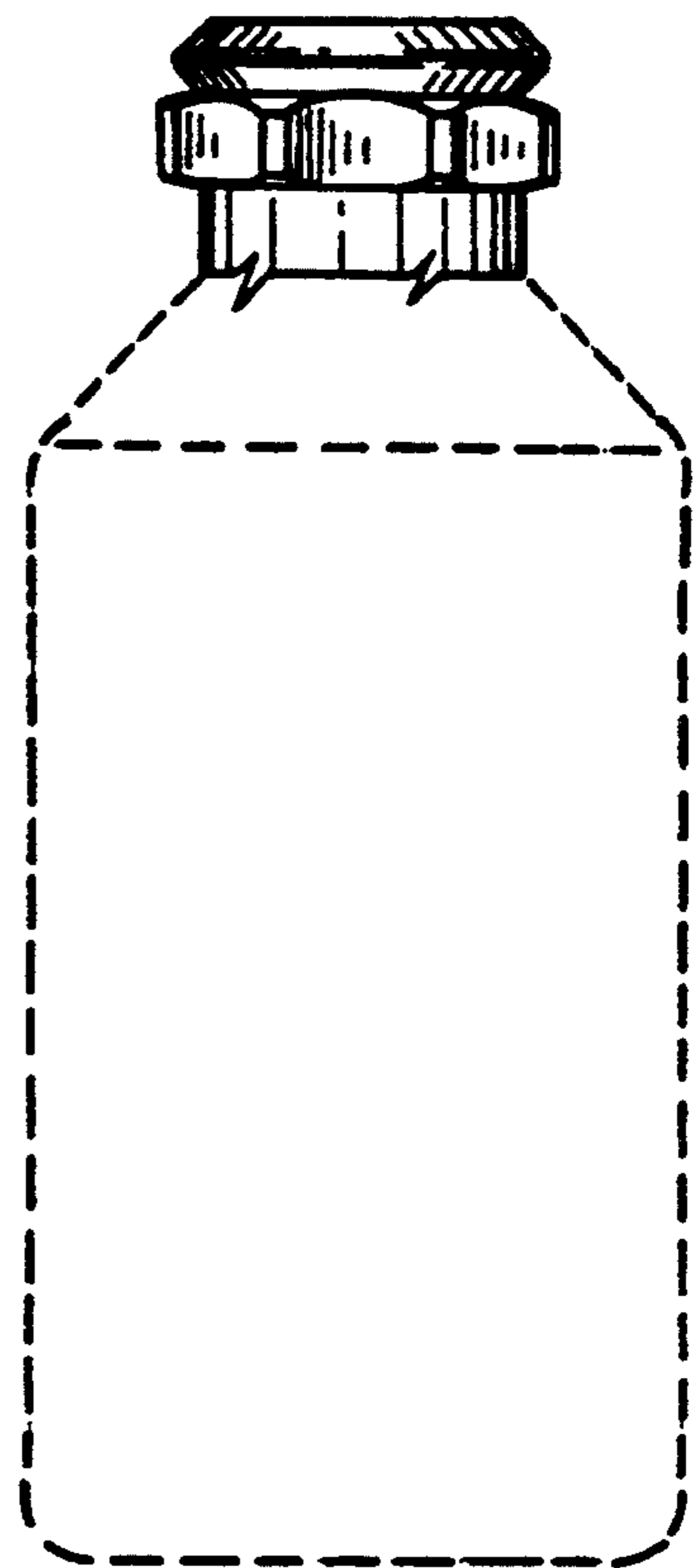


FIG. 4