



US00D355600S

United States Patent [19]
Ford

[11] **Patent Number: Des. 355,600**
[45] **Date of Patent: ** Feb. 21, 1995**

[54] **DISPLAY PACKAGE FOR CAP**

[76] **Inventor: Gale W. Ford, 1109 Wembley Dr.,
Hermitage, Tenn. 37076**

[**] **Term: 14 Years**

[21] **Appl. No.: 16,139**

[22] **Filed: Dec. 8, 1993**

[52] **U.S. Cl. D9/415**

[58] **Field of Search D9/415, 418, 425, 428,
D9/337; 206/461, 462, 470, 471, 469, 806, 8,
243**

[56] **References Cited**

U.S. PATENT DOCUMENTS

D. 211,449	6/1968	Seiferth et al.	D9/415
D. 234,122	1/1975	Horblitt	D9/415
D. 317,408	6/1991	Lonngren et al.	D9/415
D. 328,565	8/1992	Lawless et al.	D9/415
687,968	12/1901	Reber	229/113
2,259,930	10/1941	Gawelek .	
3,324,994	6/1967	Rausser, Sr. .	
3,371,774	3/1968	Lilly	206/461
4,278,693	7/1981	Dingethal et al.	206/461 X
4,469,226	9/1984	Matney	206/461 X
4,637,516	1/1987	De Roure	206/461 X
4,750,669	6/1988	Leight .	
4,781,289	11/1988	Perkins .	
5,022,515	6/1991	Agostine .	
5,074,410	12/1991	Fries .	
5,129,517	7/1992	Hustad .	
5,220,999	6/1993	Goulette .	

OTHER PUBLICATIONS

Modern Packaging, 1981, p. 300.
Techform Inc., Nov. 1982 (From 206-461 Shoe).

Primary Examiner—Prabhakar G. Deshmukh
Attorney, Agent, or Firm—Richard C. Litman

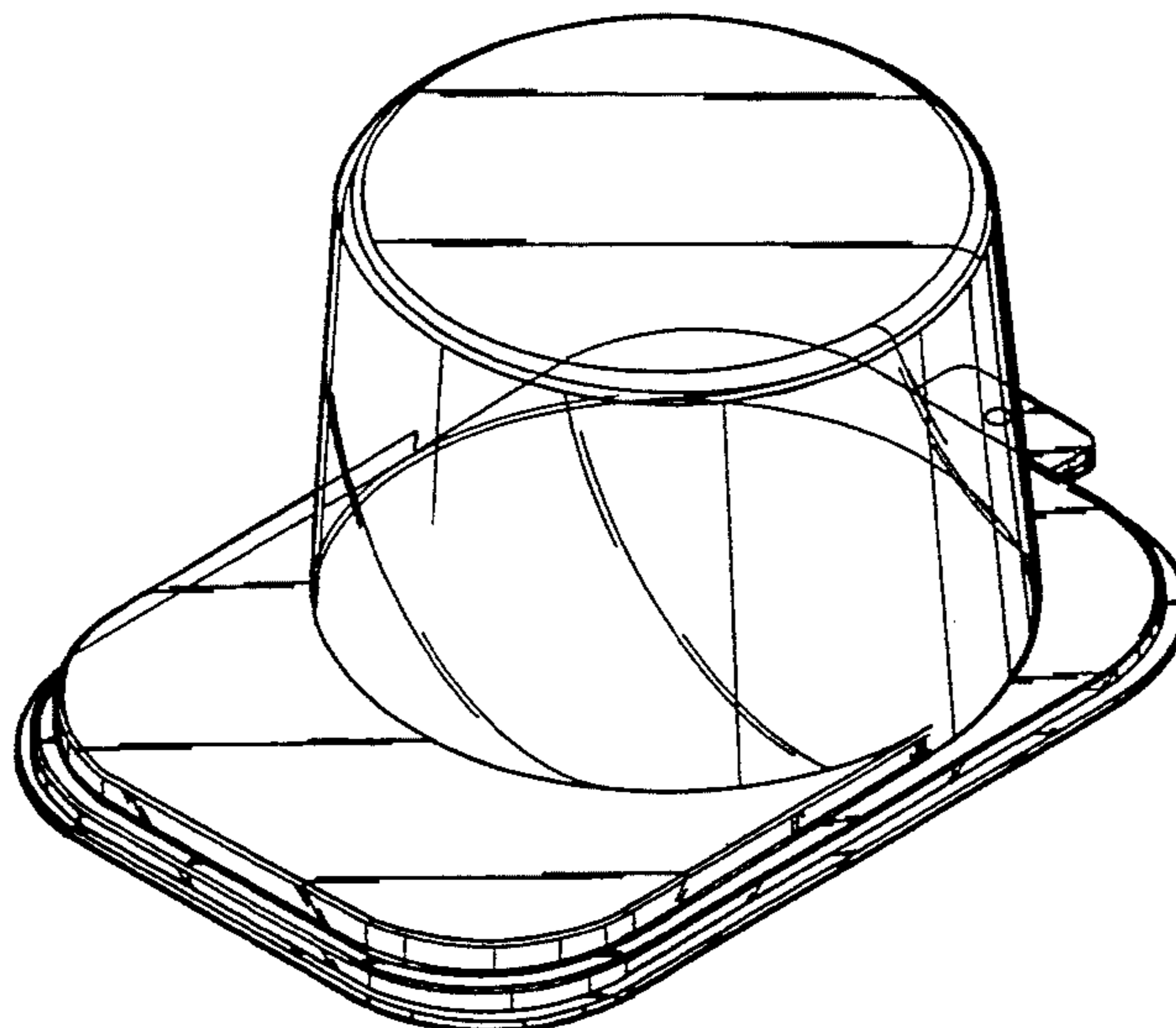
[57] **CLAIM**

The ornamental design for a display package for cap, as shown and described.

DESCRIPTION

FIG. 1 is a perspective view of a display package for cap showing my new design;
 FIG. 2 is a front elevational view thereof;
 FIG. 3 is a rear elevational view thereof;
 FIG. 4 is a top plan view thereof;
 FIG. 5 is a left side elevational view thereof, with the right side elevation being a mirror image;
 FIG. 6 is a bottom plan view thereof;
 FIG. 7 is a rear elevational view of a second embodiment thereof;
 FIG. 8 is a top plan view of the embodiment of FIG. 7;
 FIG. 9 is a left side elevational view of the embodiment of FIG. 7, with the right side elevation being a mirror image;
 FIG. 10 is a bottom plan view of the embodiment of FIG. 7;
 FIG. 11 is a rear elevational view of a third embodiment thereof;
 FIG. 12 is a top plan view of the embodiment of FIG. 11;
 FIG. 13 is a left side elevational view of the embodiment of FIG. 11, with the right side elevation being a mirror image;
 FIG. 14 is a bottom plan view of the embodiment of FIG. 11;
 FIG. 15 is a rear elevational view of a fourth embodiment thereof;
 FIG. 16 is a top plan view of the embodiment of FIG. 14;
 FIG. 17 is a left side elevational view of the embodiment of FIG. 14, with the right side elevation being a mirror image; and,
 FIG. 18 is a bottom plan view of the embodiment of FIG. 14.

The front elevations of the embodiments of FIGS. 7, 11, and 15 are identical to the front elevational view shown in FIG. 2 of the embodiment of FIGS. 1 through 6.



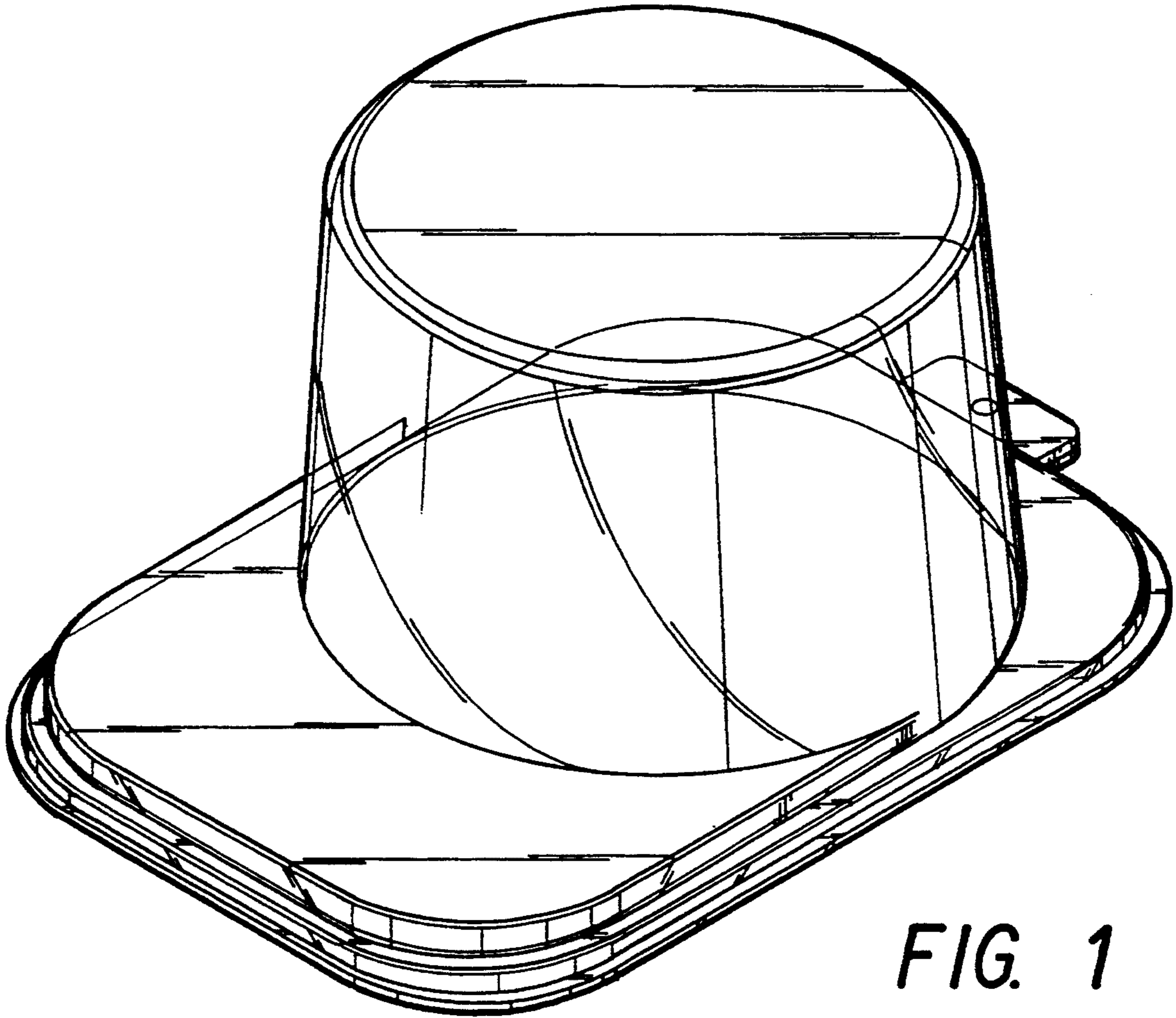


FIG. 1

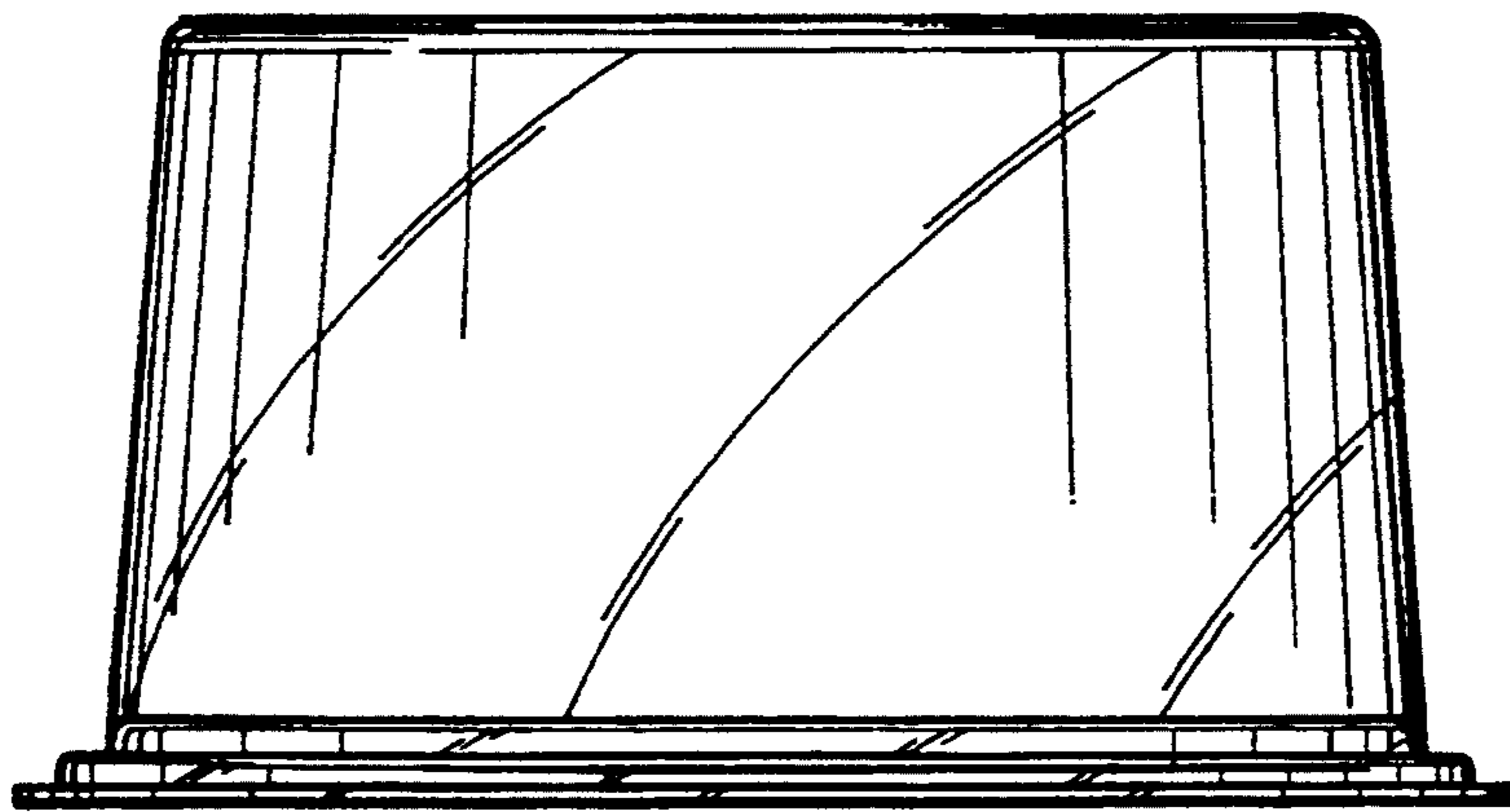


FIG. 2

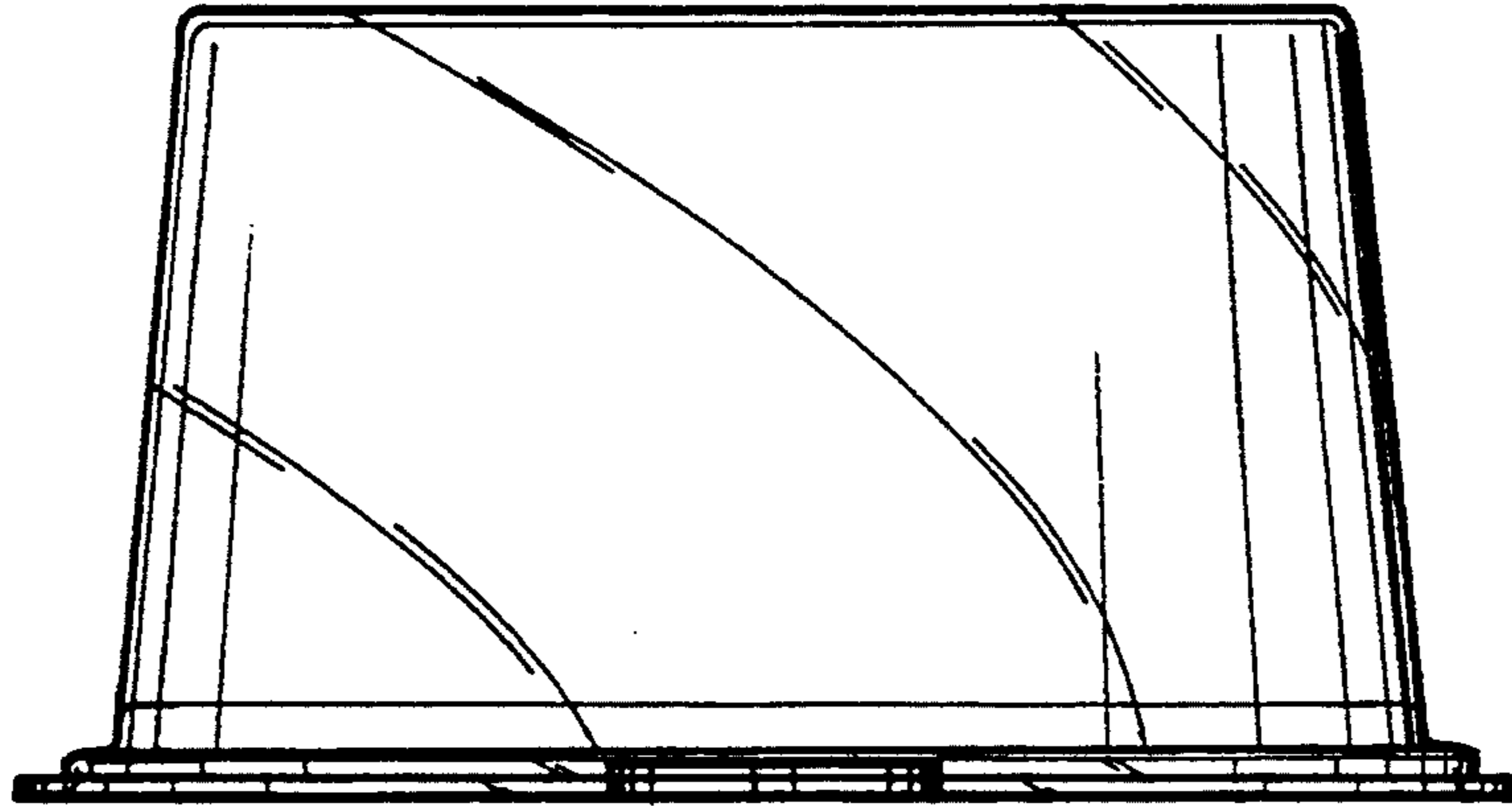


FIG. 3

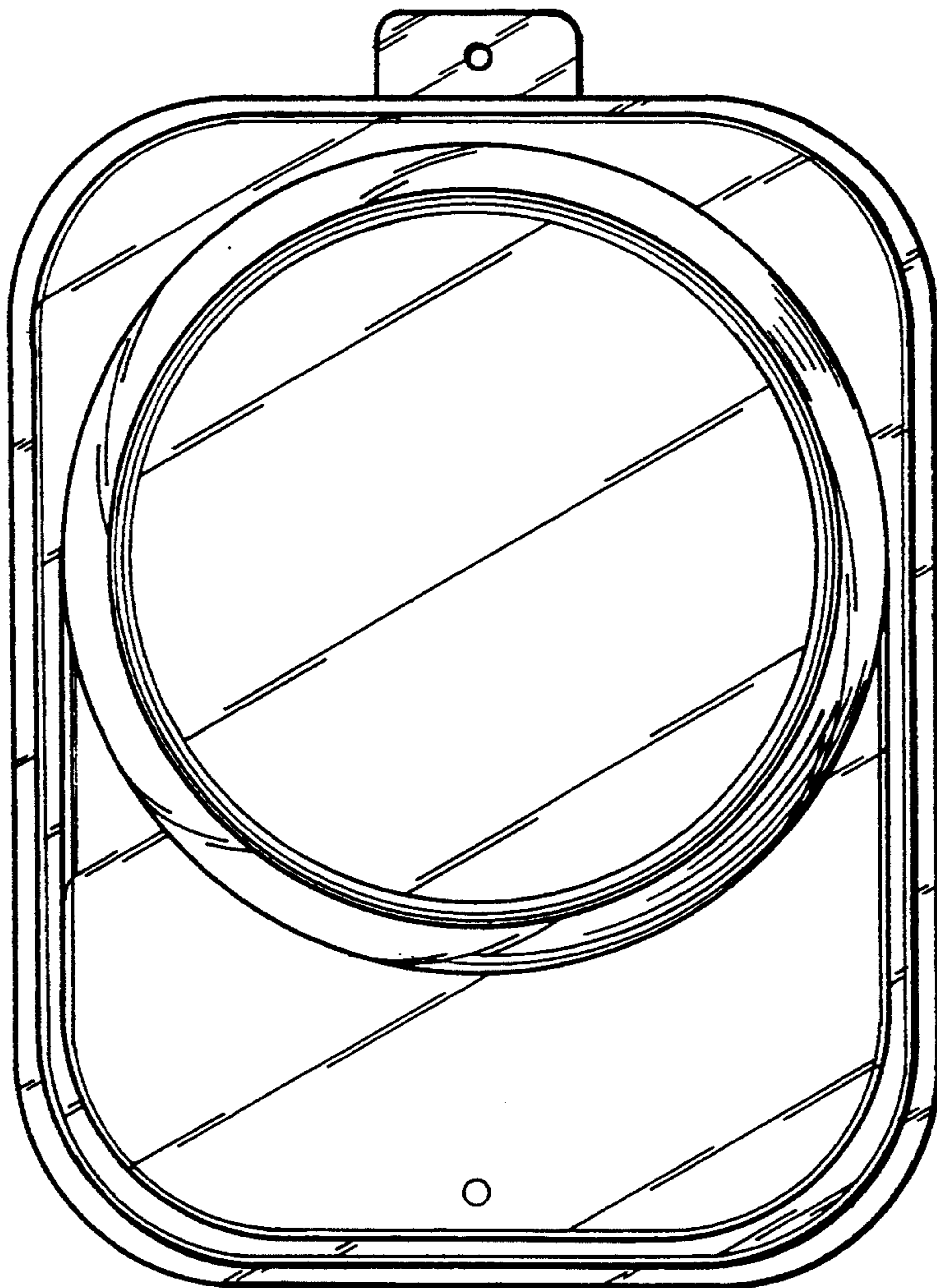


FIG. 4

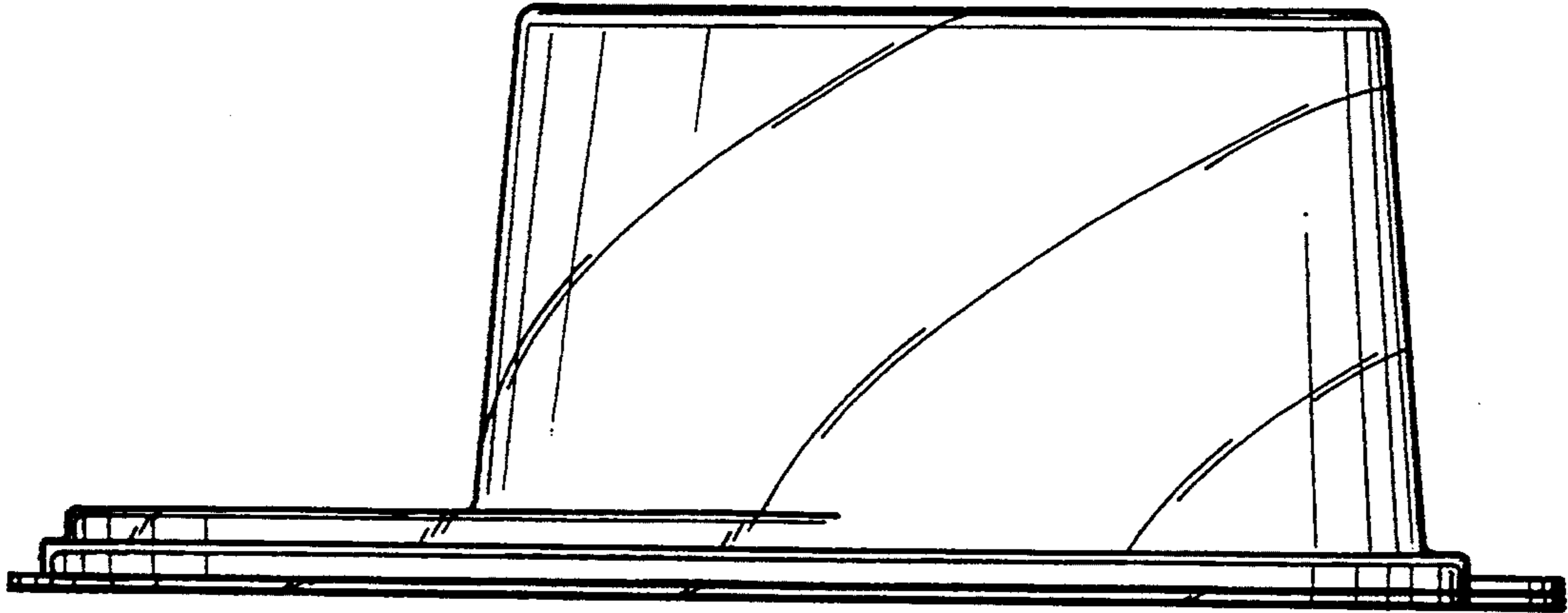


FIG. 5

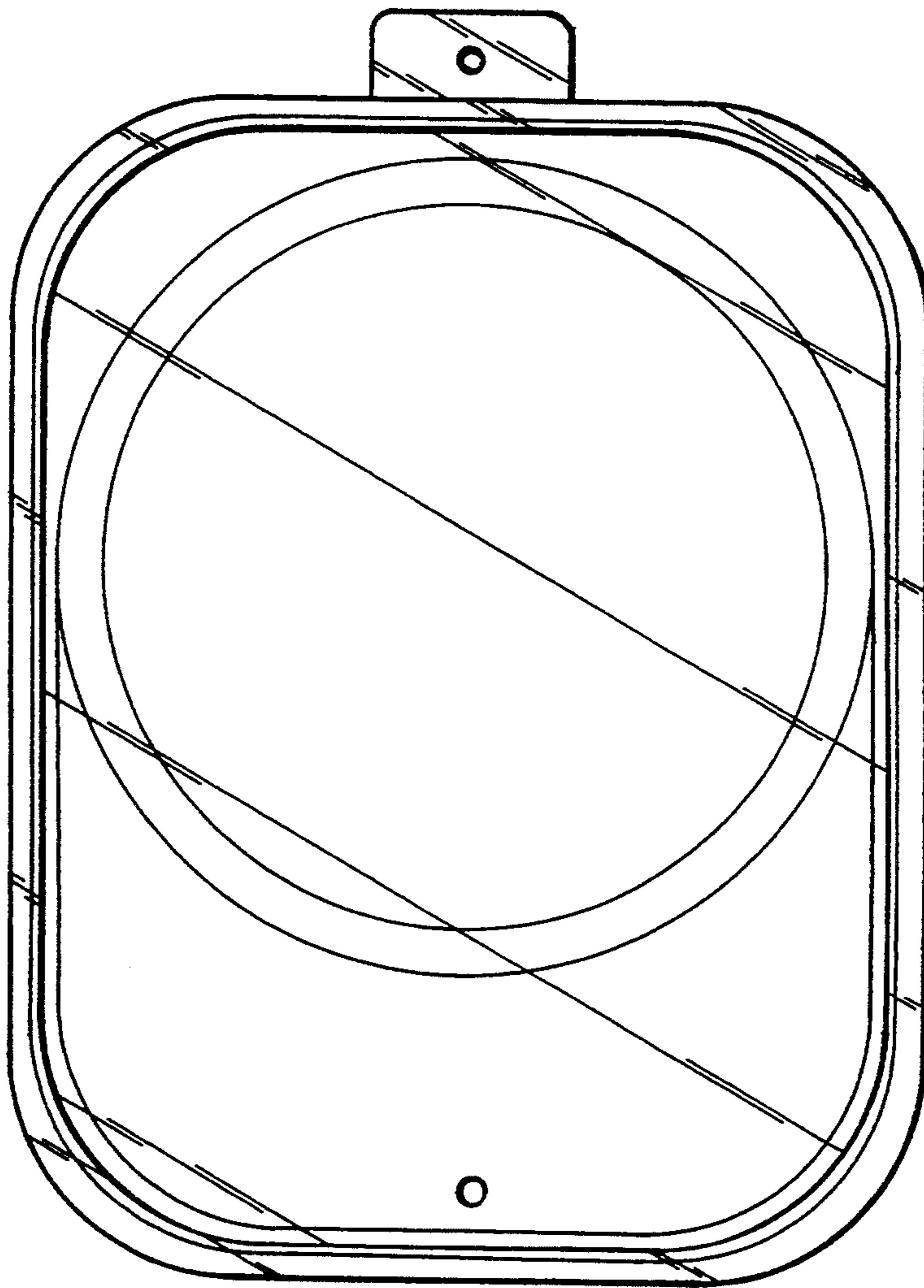


FIG. 6

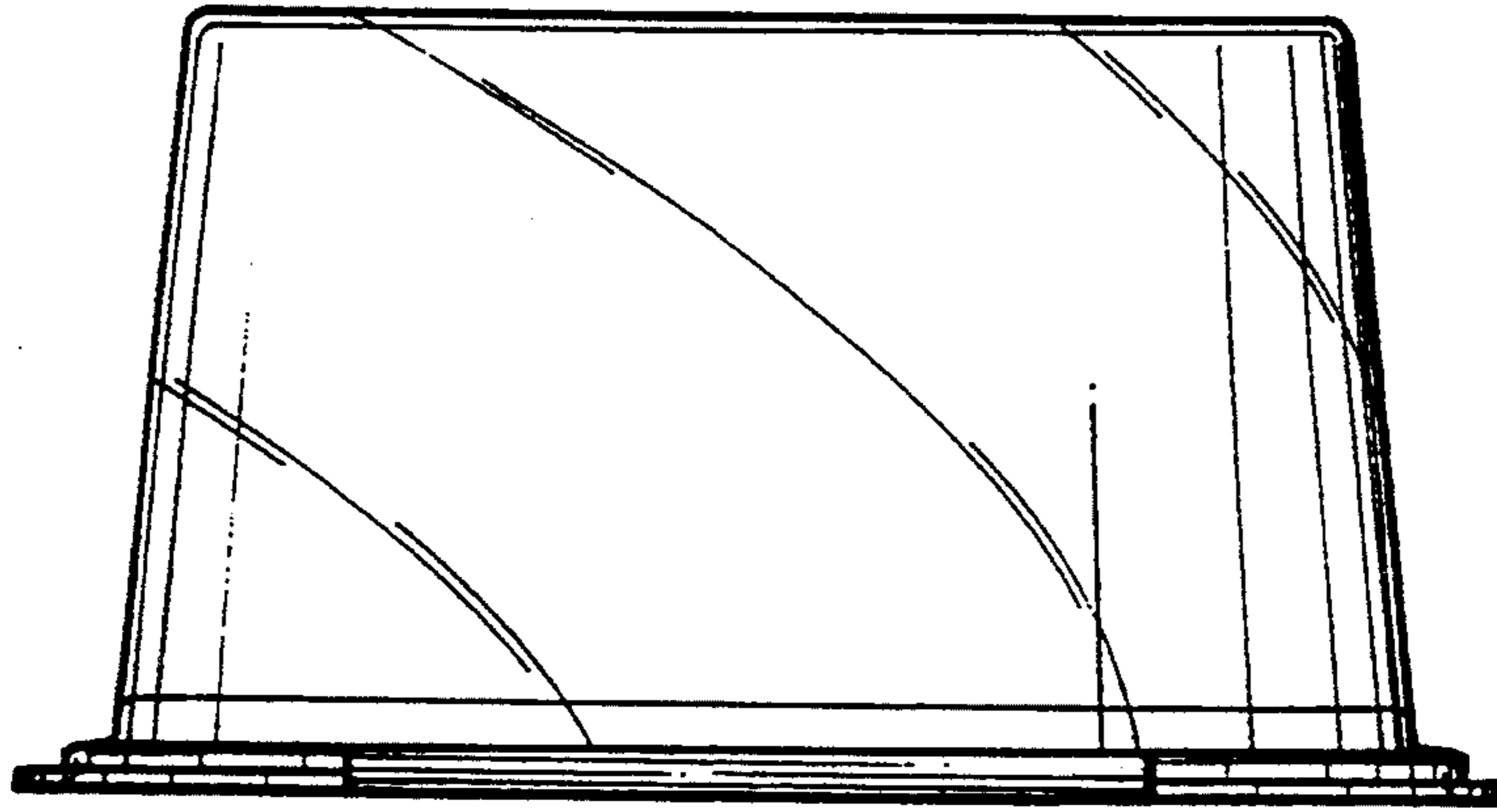


FIG. 7

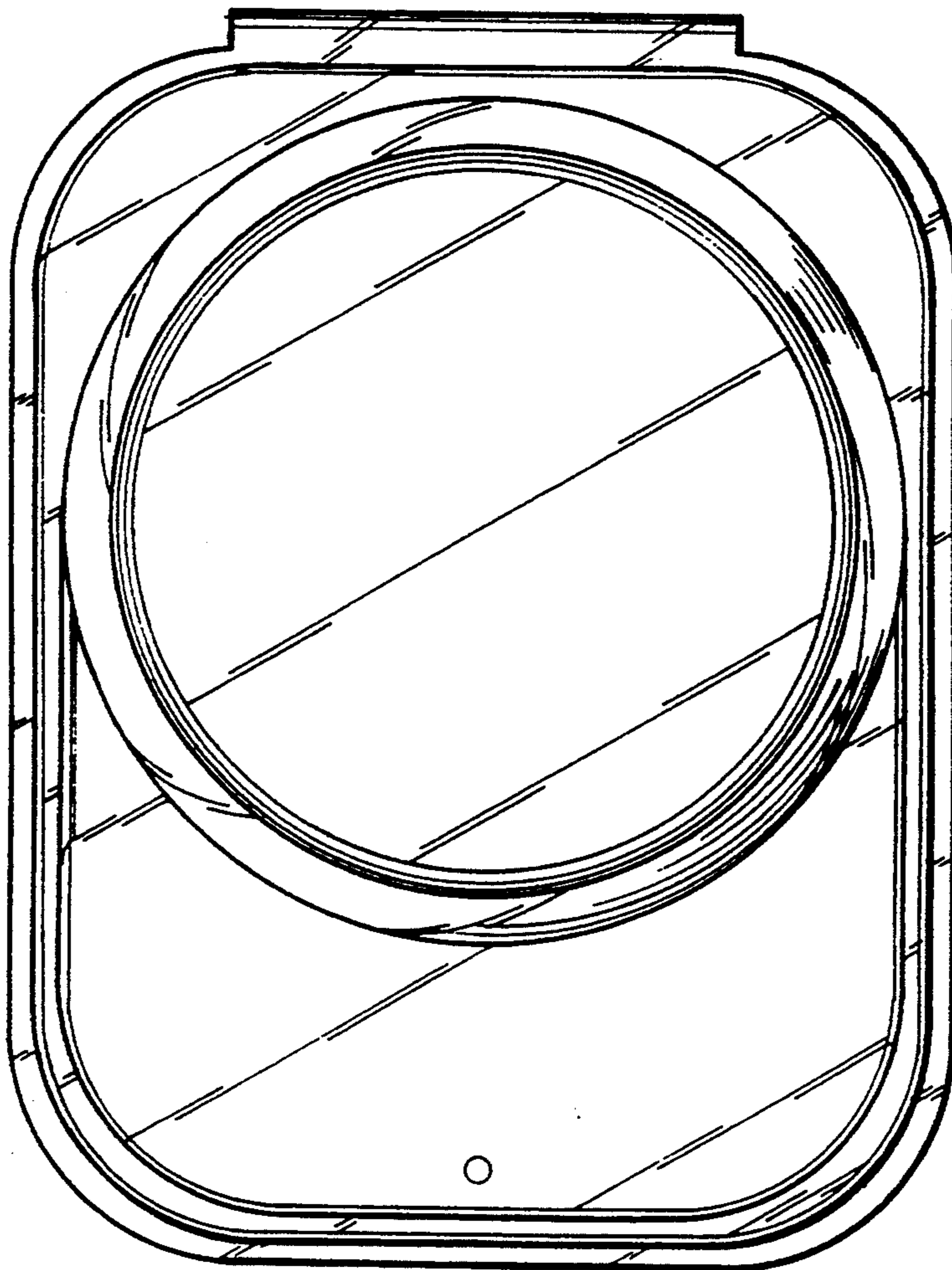


FIG. 8

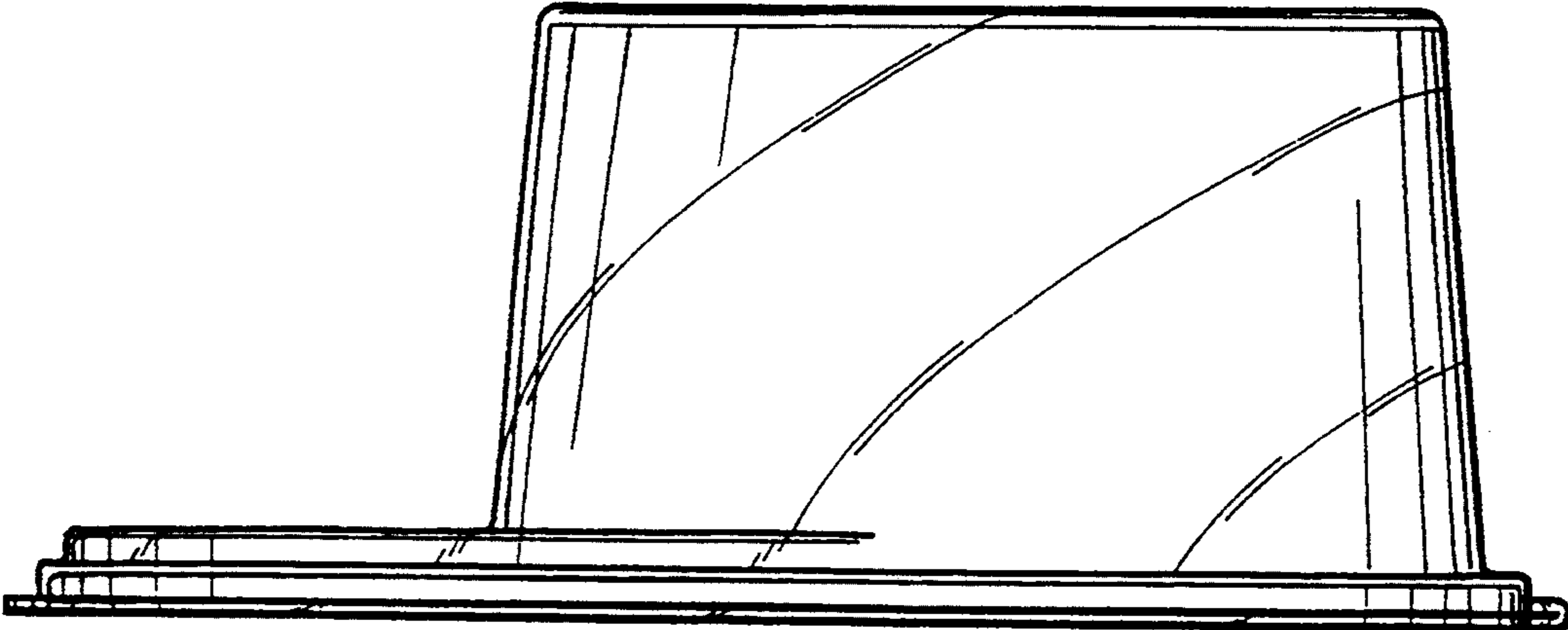


FIG. 9

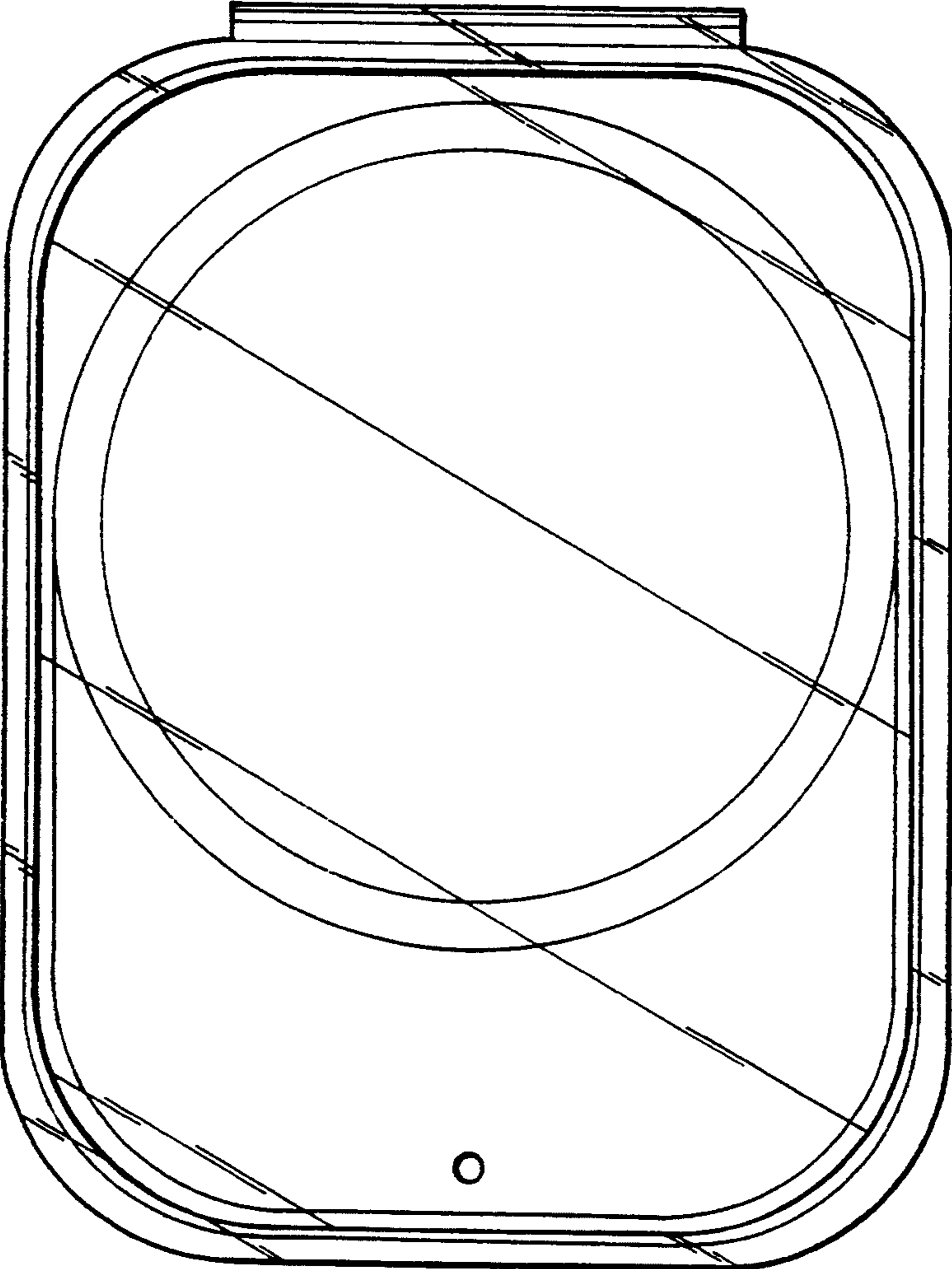


FIG. 10

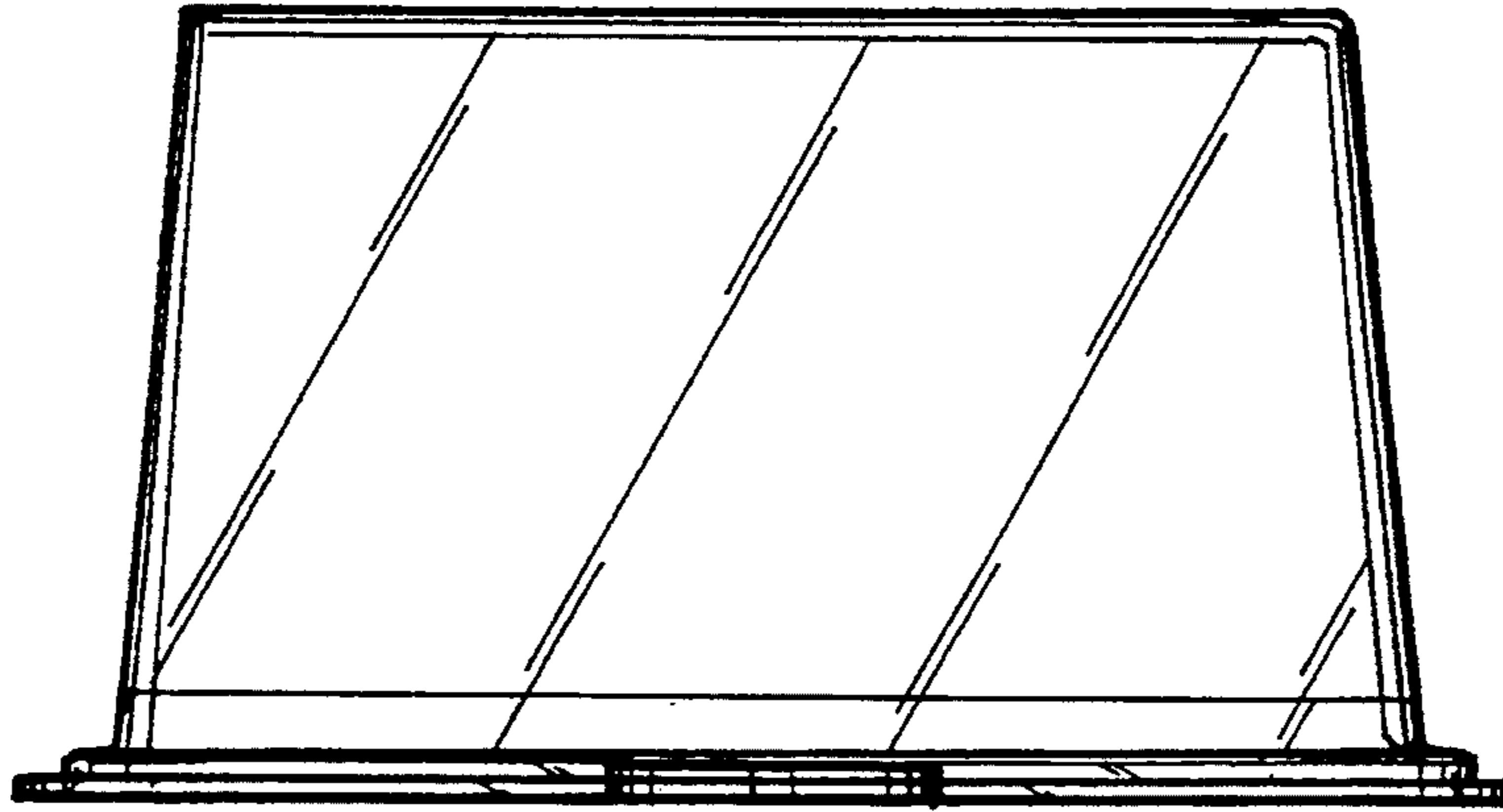


FIG. 11

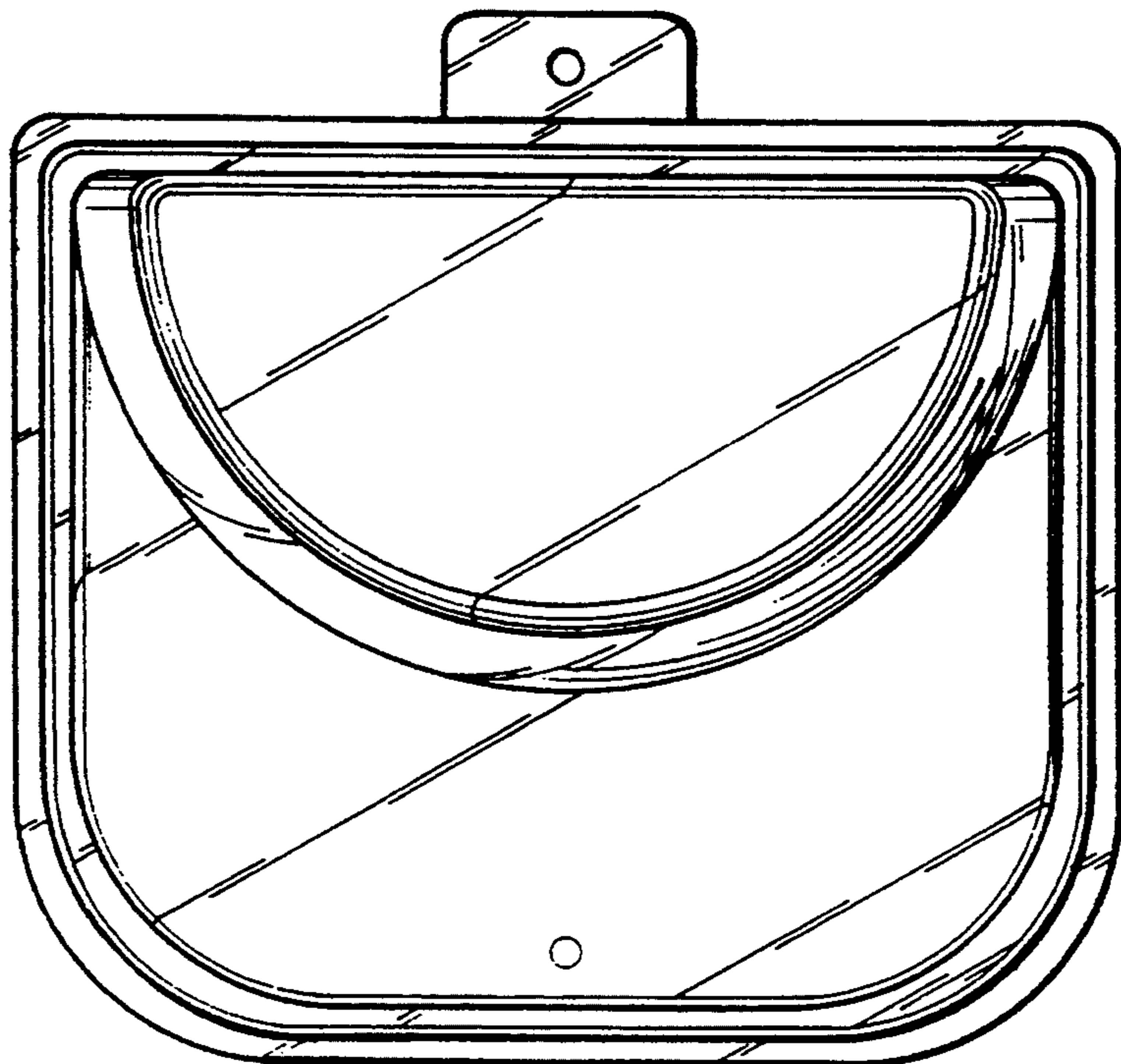


FIG. 12

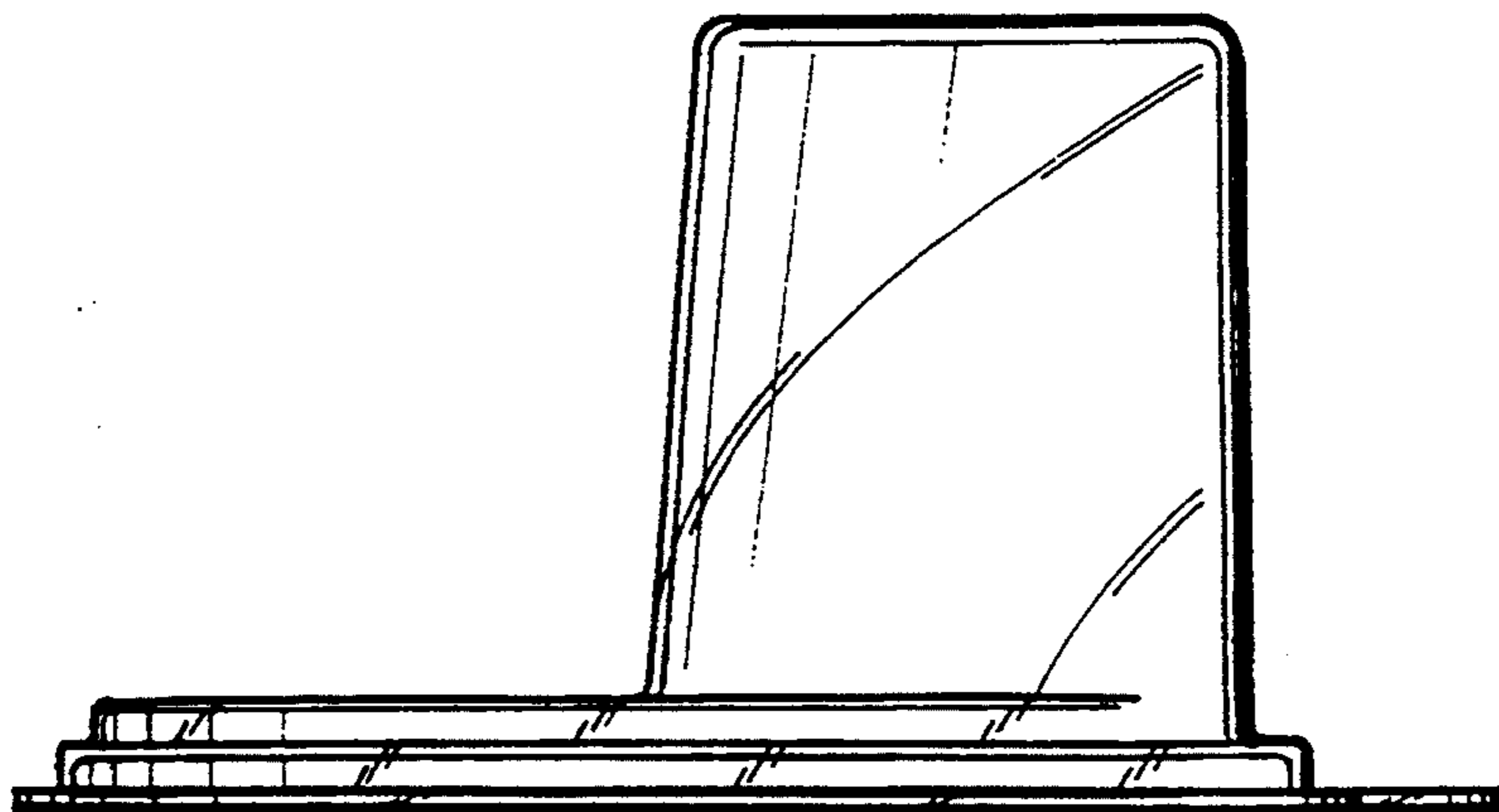


FIG. 13

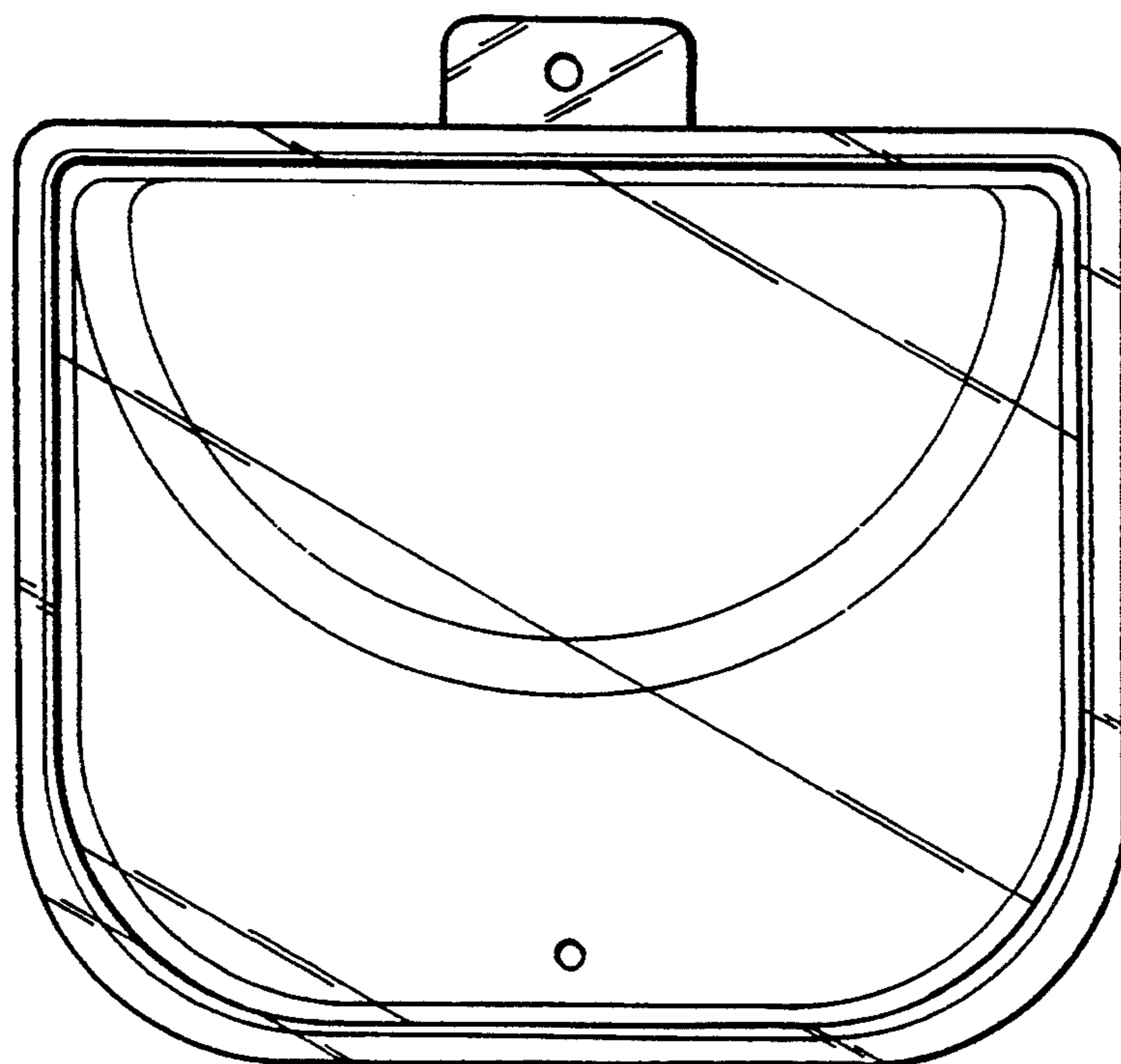


FIG. 14

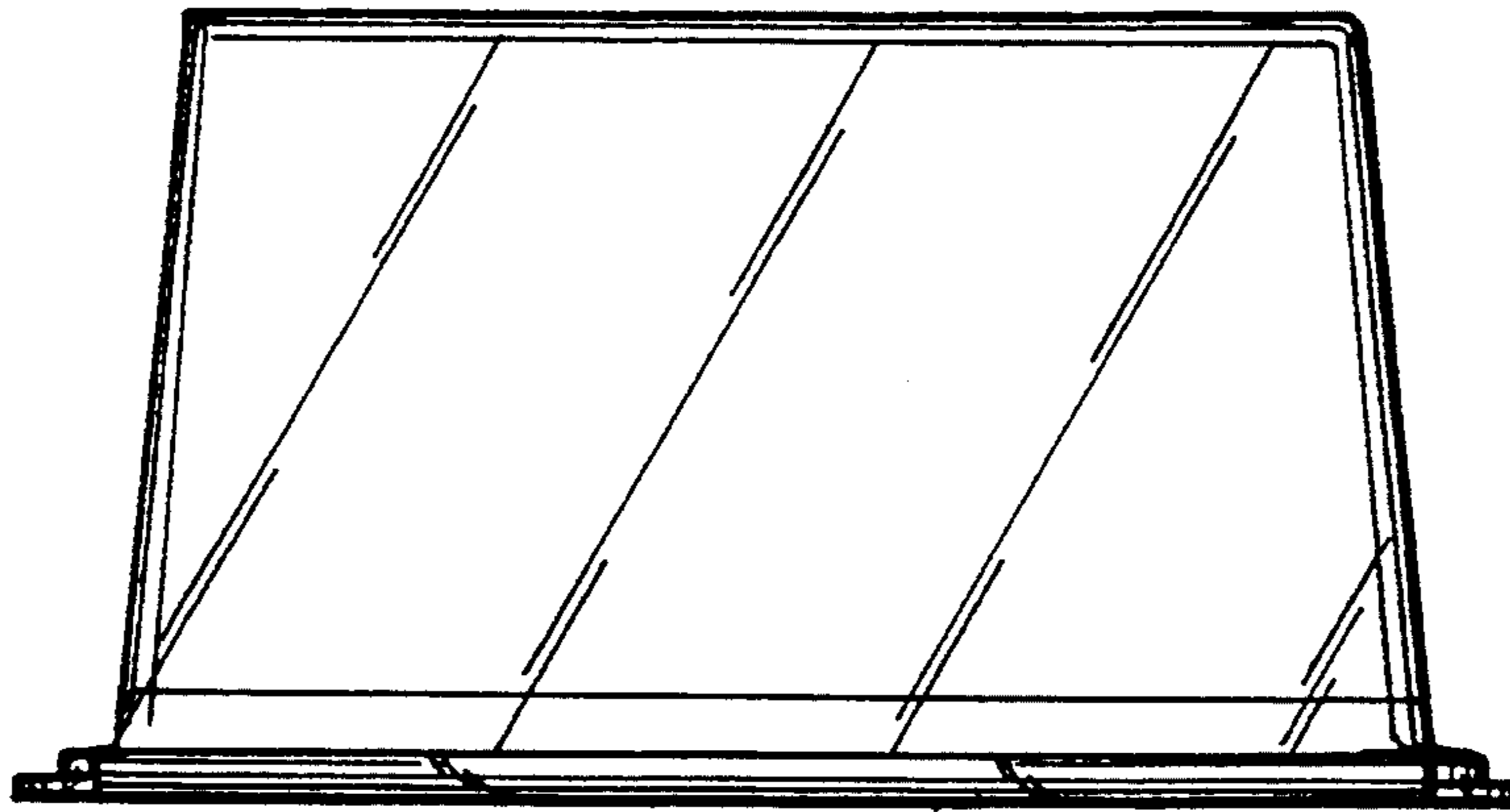


FIG. 15

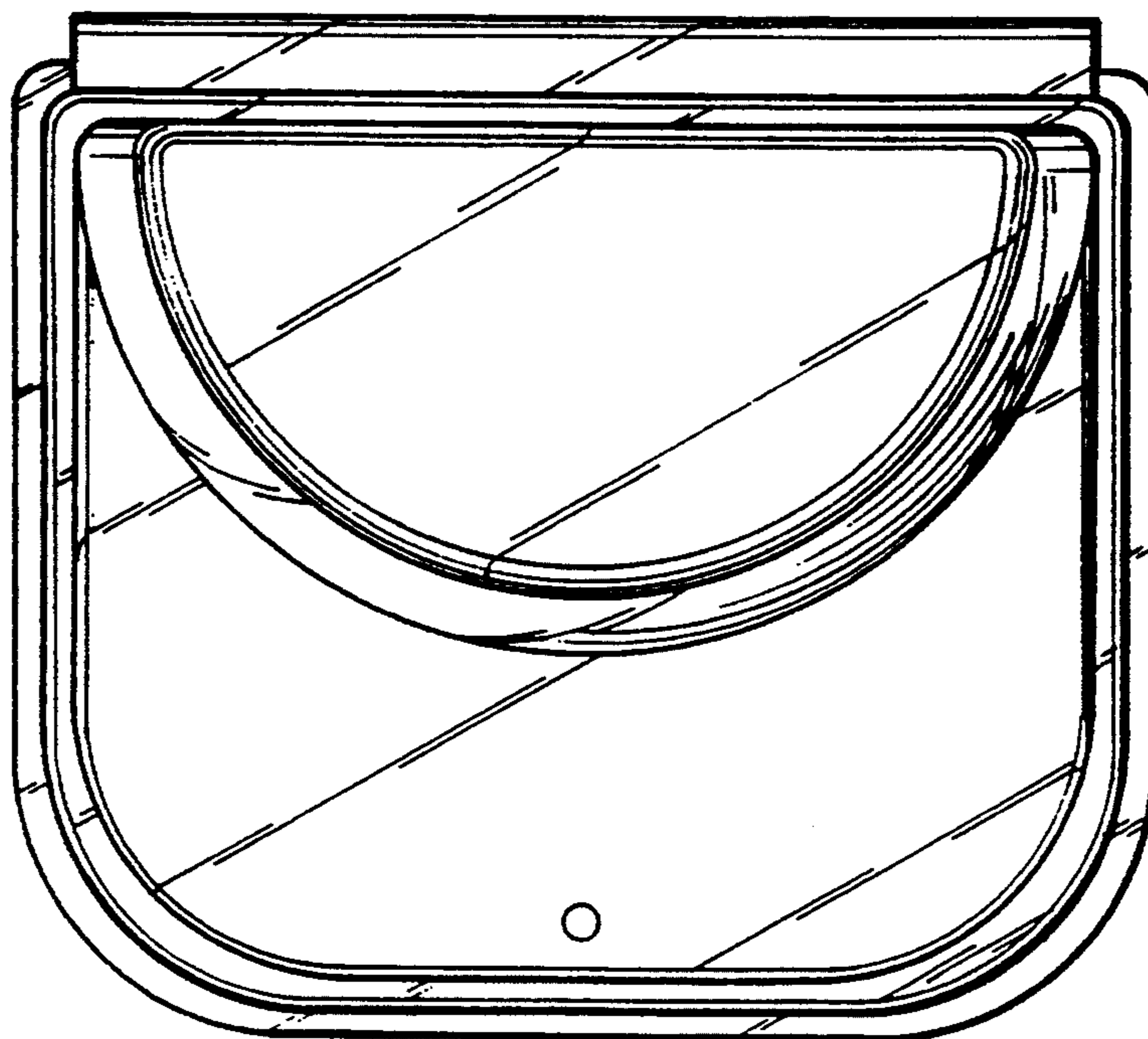


FIG. 16

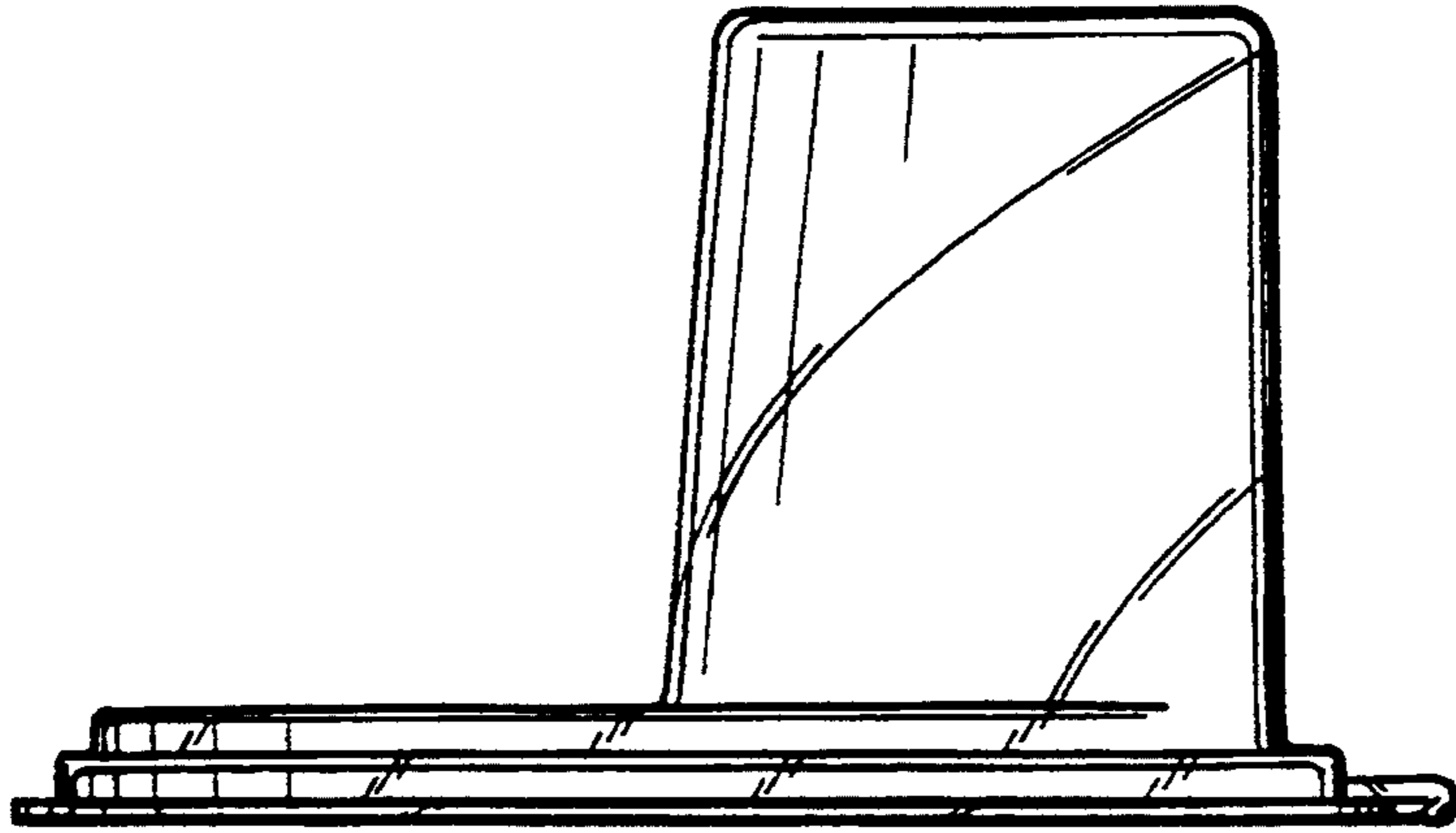


FIG. 17

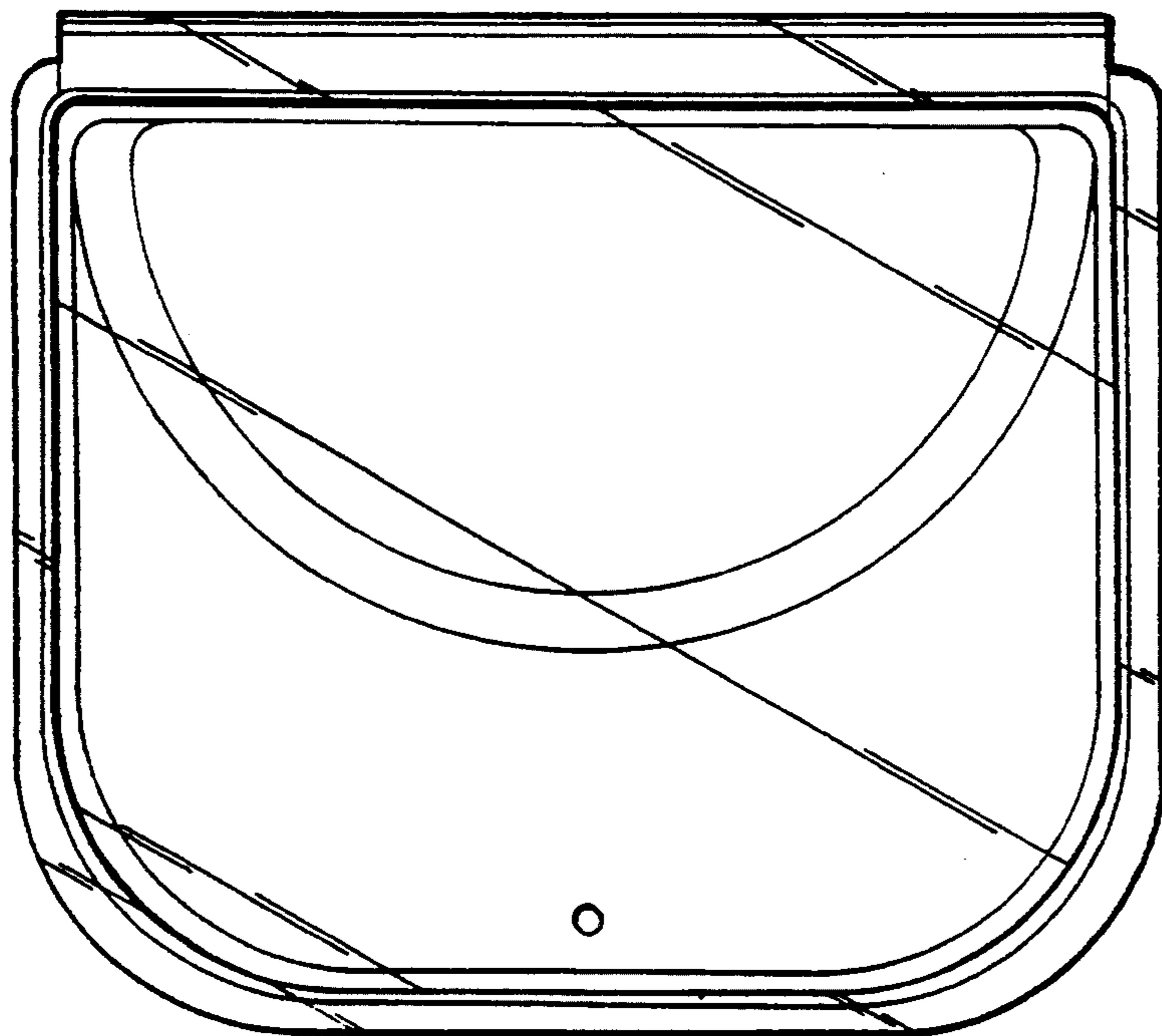


FIG. 18