



US00D355597S

United States Patent [19]

[11] Patent Number: **Des. 355,597**

McIntire et al.

[45] Date of Patent: **** Feb. 21, 1995**

[54] **FOAM-SPRING CONDOM DISPENSING PACKAGE**

[76] Inventors: **Patricia K. McIntire**, 2308 Mallard La., Apt. 6, Dayton, Ohio 45431; **Christine M. Leopard**, 1326 Colwick Dr., Dayton, Ohio 45420; **Michael Aveyard**, 4978 Northcutt Pl., Dayton, Ohio 45414

[**] Term: **14 Years**

[21] Appl. No.: **8,388**

[22] Filed: **May 17, 1993**

[52] U.S. Cl. **D9/339**

[58] Field of Search **D9/339, 415, 418, 432; D24/105, 190; D6/515; 206/44, 44.12; 229/122; 221/91, 92, 255, 260, 279, 282; 312/61, 71**

[56] **References Cited**

U.S. PATENT DOCUMENTS

D. 269,068	5/1983	Mann, Sr. et al.	D9/418 X
D. 269,856	7/1983	Kuta	D9/418
D. 309,416	7/1990	Britz	D9/432 X
D. 321,647	11/1991	Oldorf	D9/418 X
D. 342,672	12/1992	Burton et al.	D9/415
2,115,673	4/1938	Stompe	D9/418 X
3,604,562	9/1971	Loeffler	221/279 X
4,465,208	8/1984	Buban et al.	221/279

Primary Examiner—Bernard Ansher

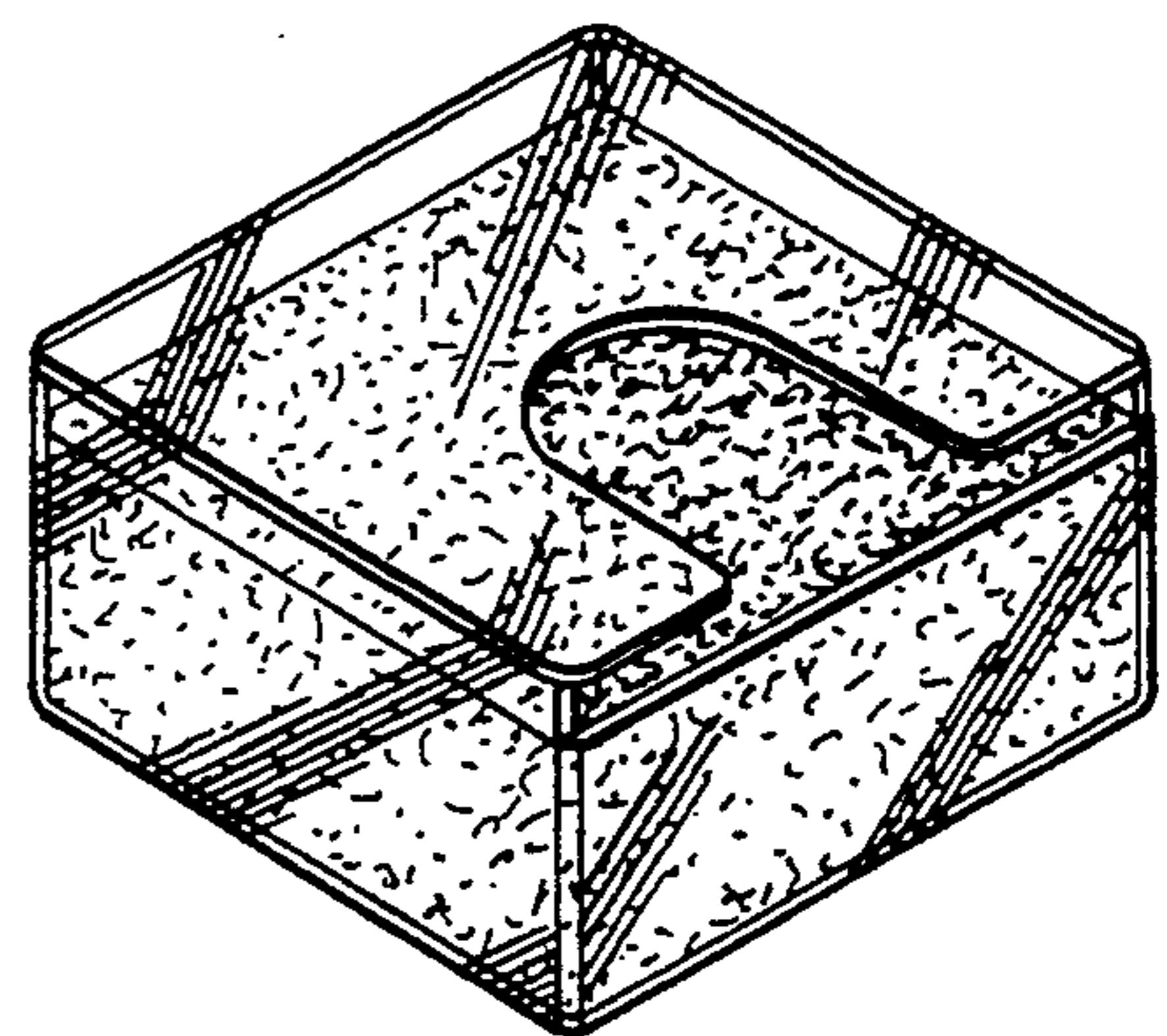
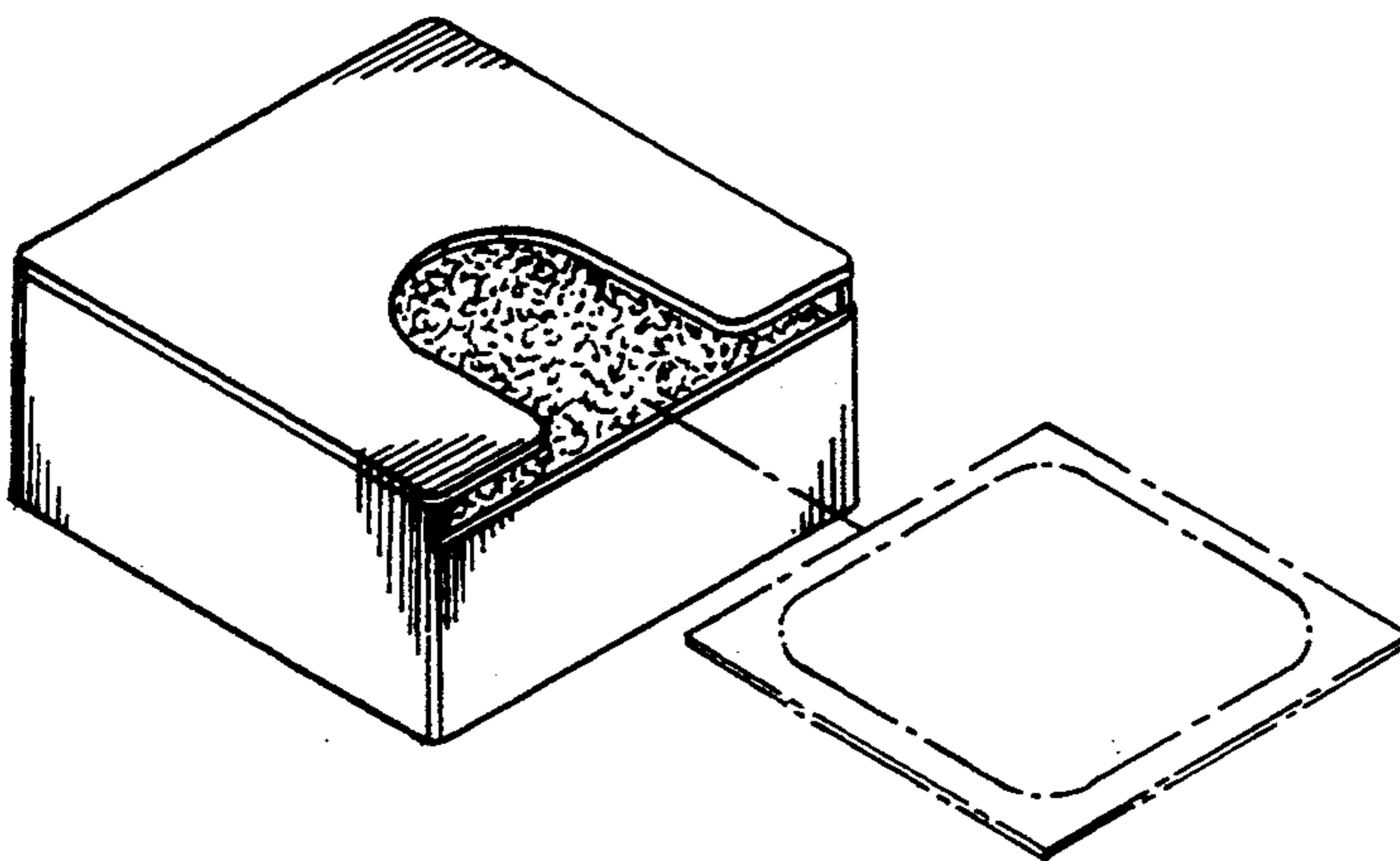
Assistant Examiner—M. Siegel
Attorney, Agent, or Firm—Albert H. Reuther

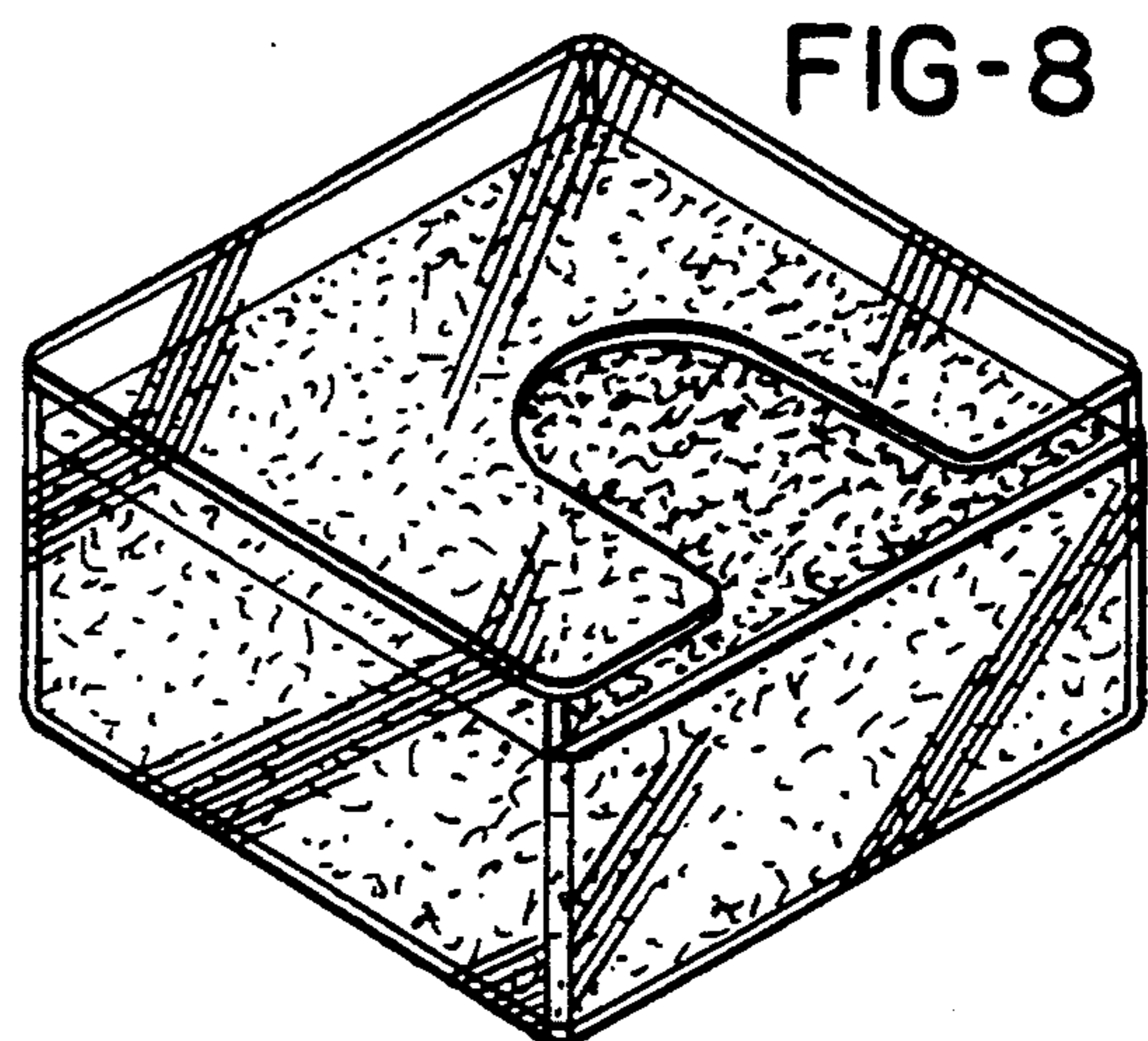
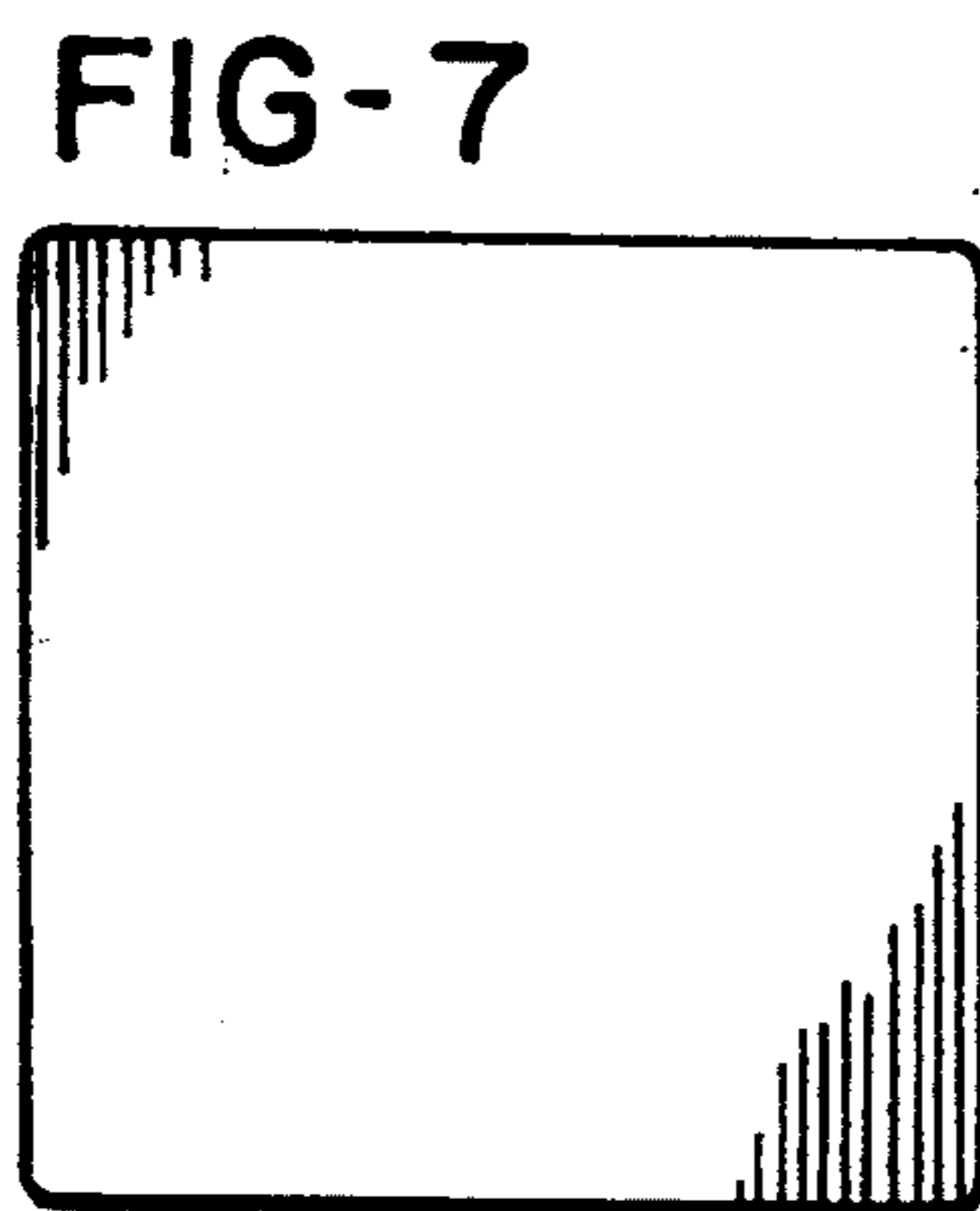
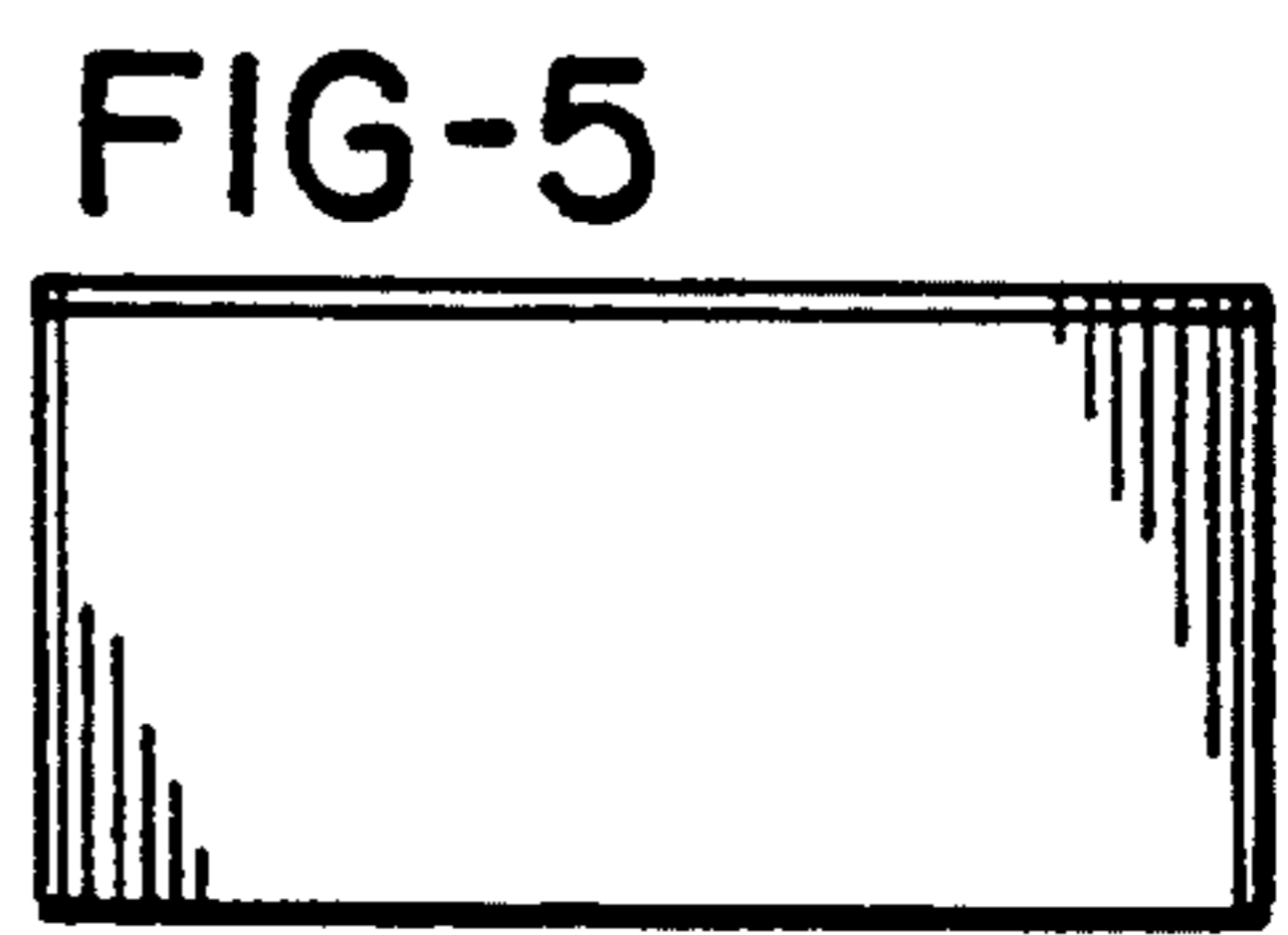
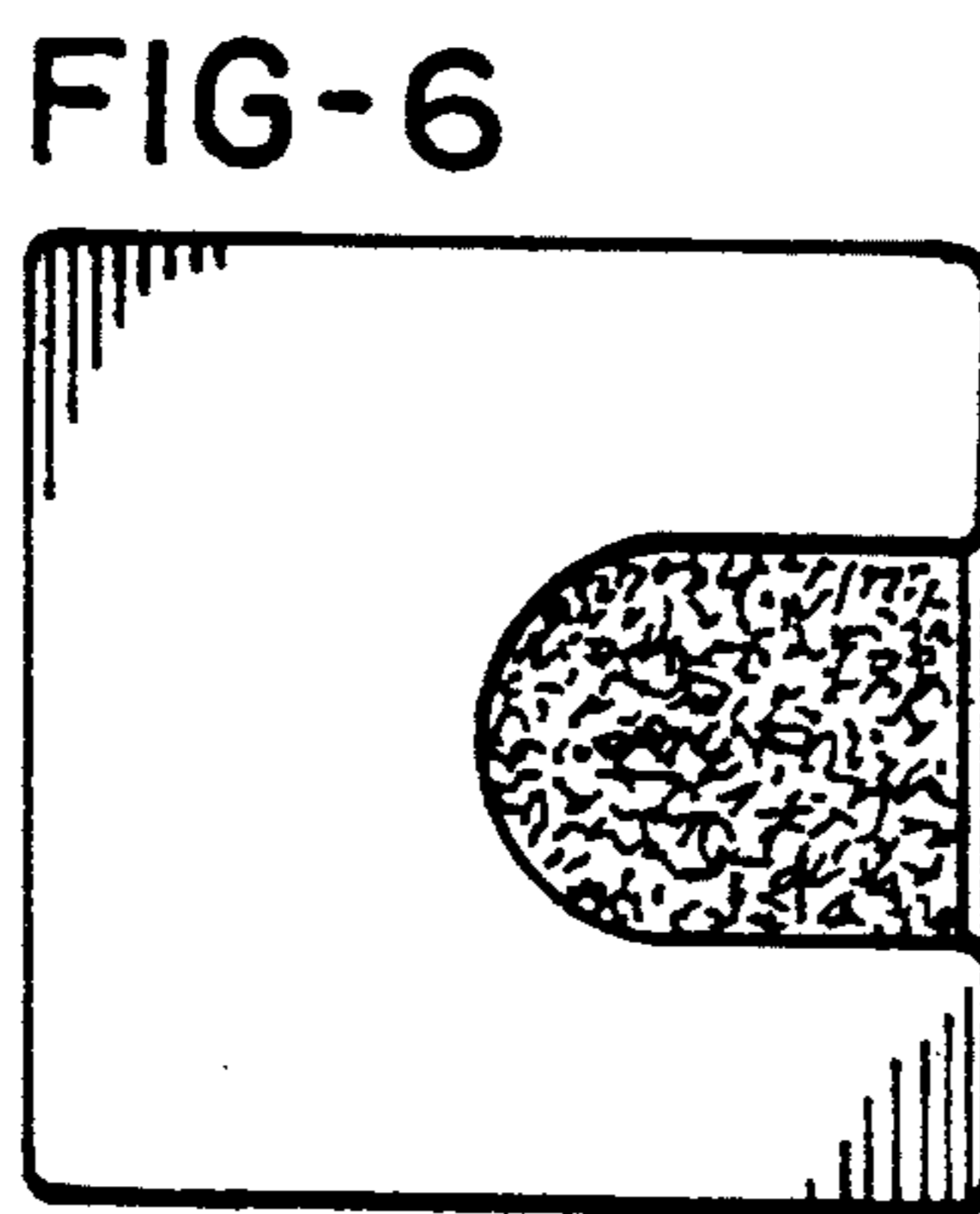
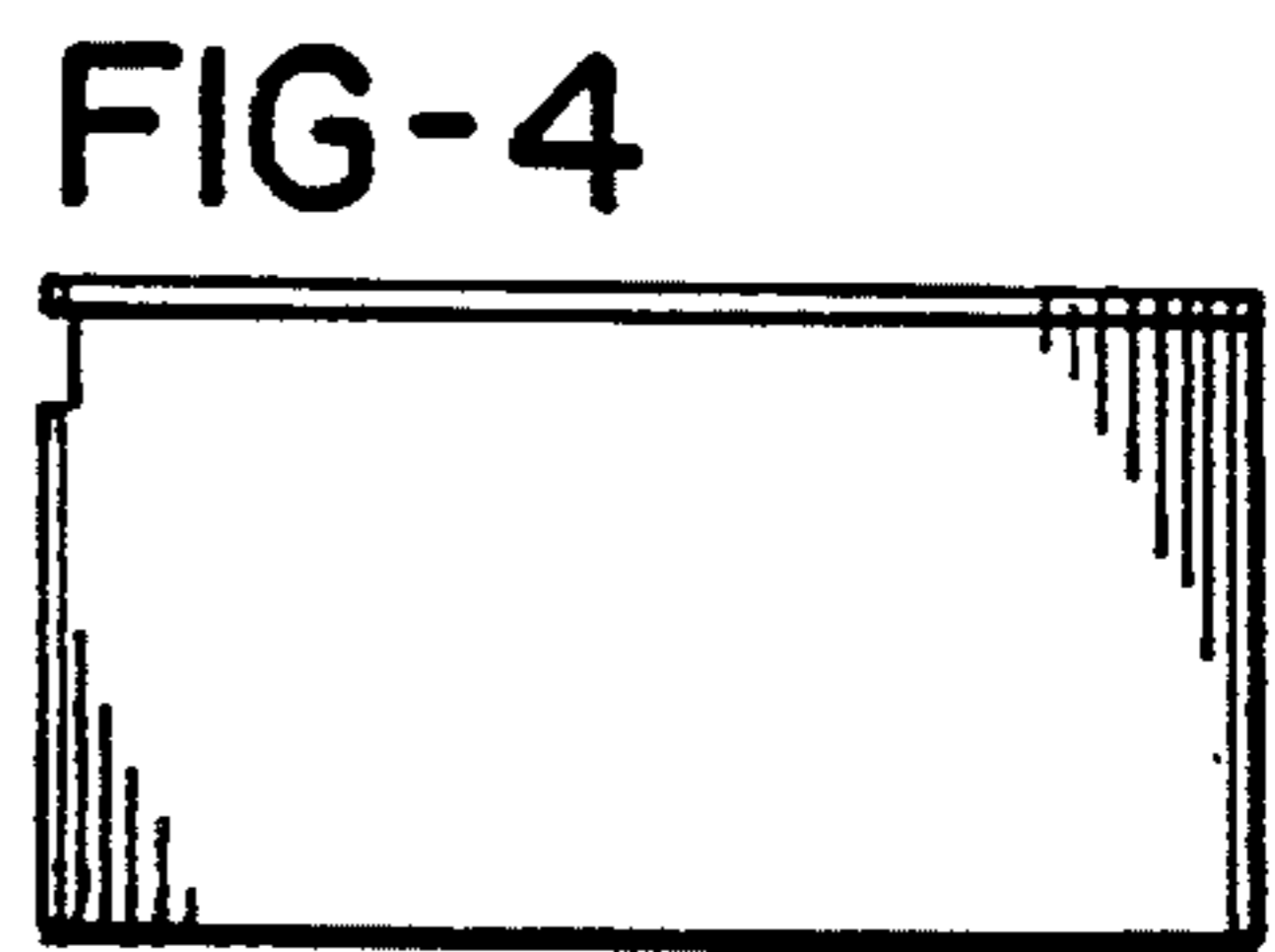
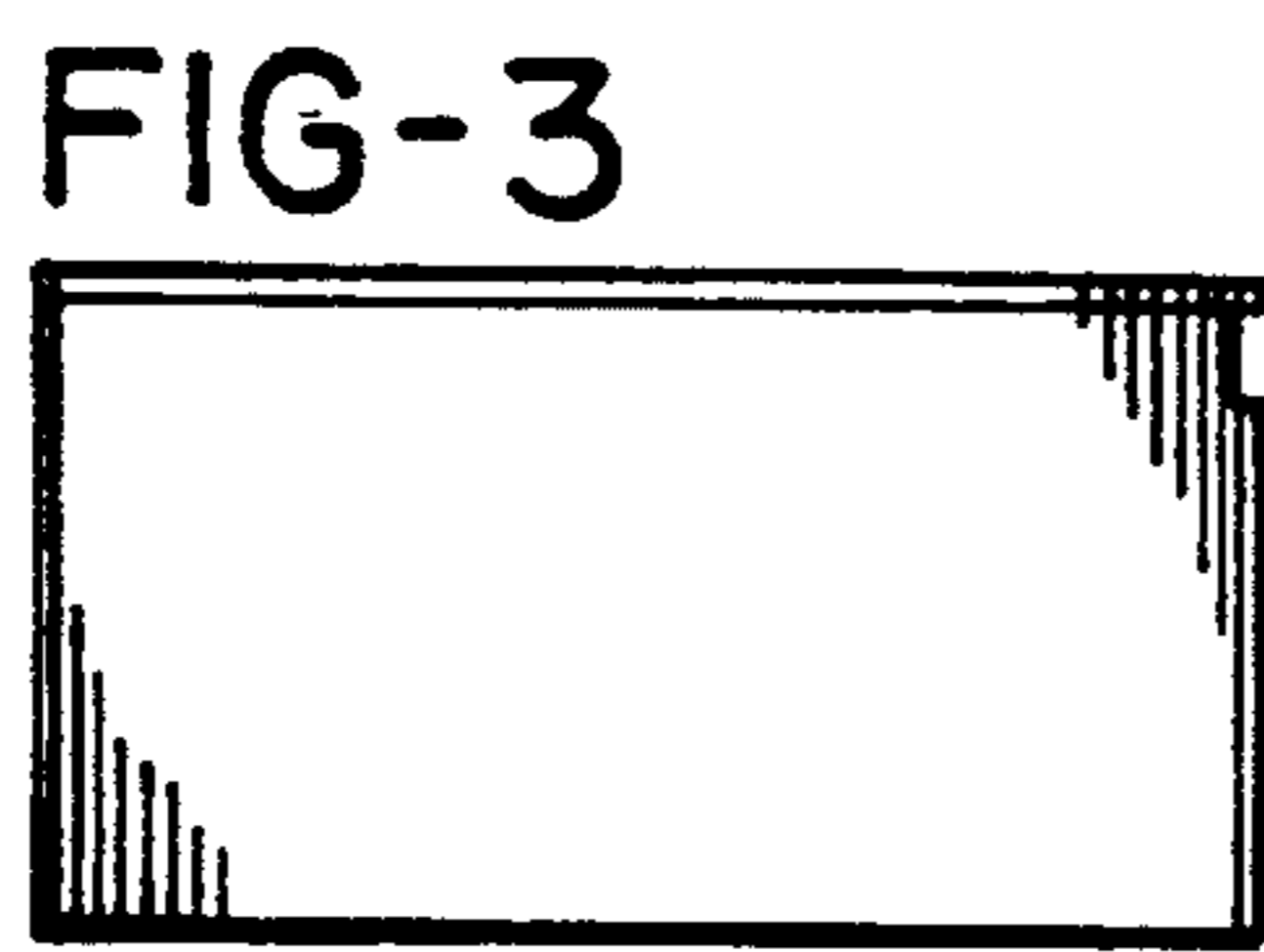
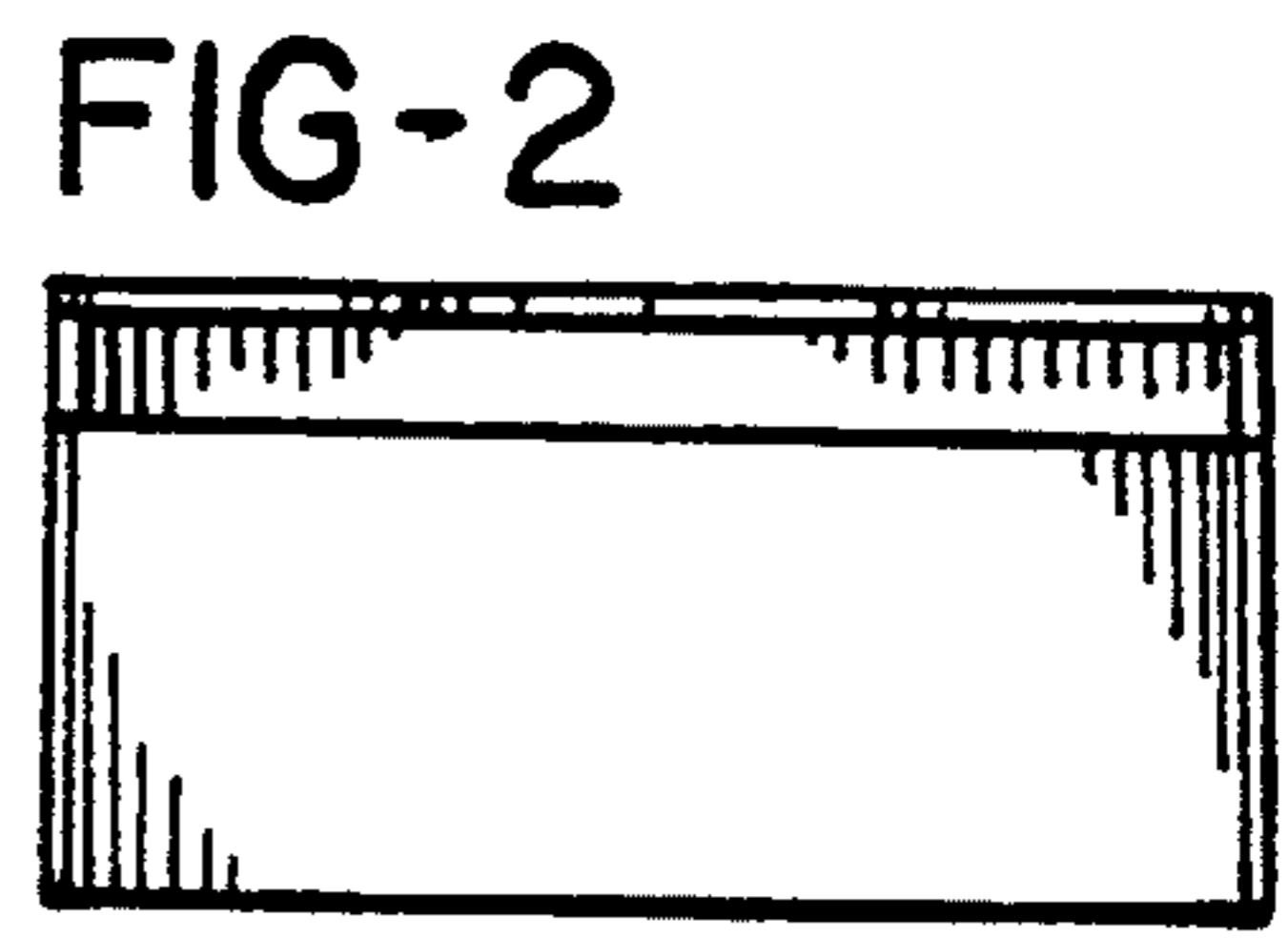
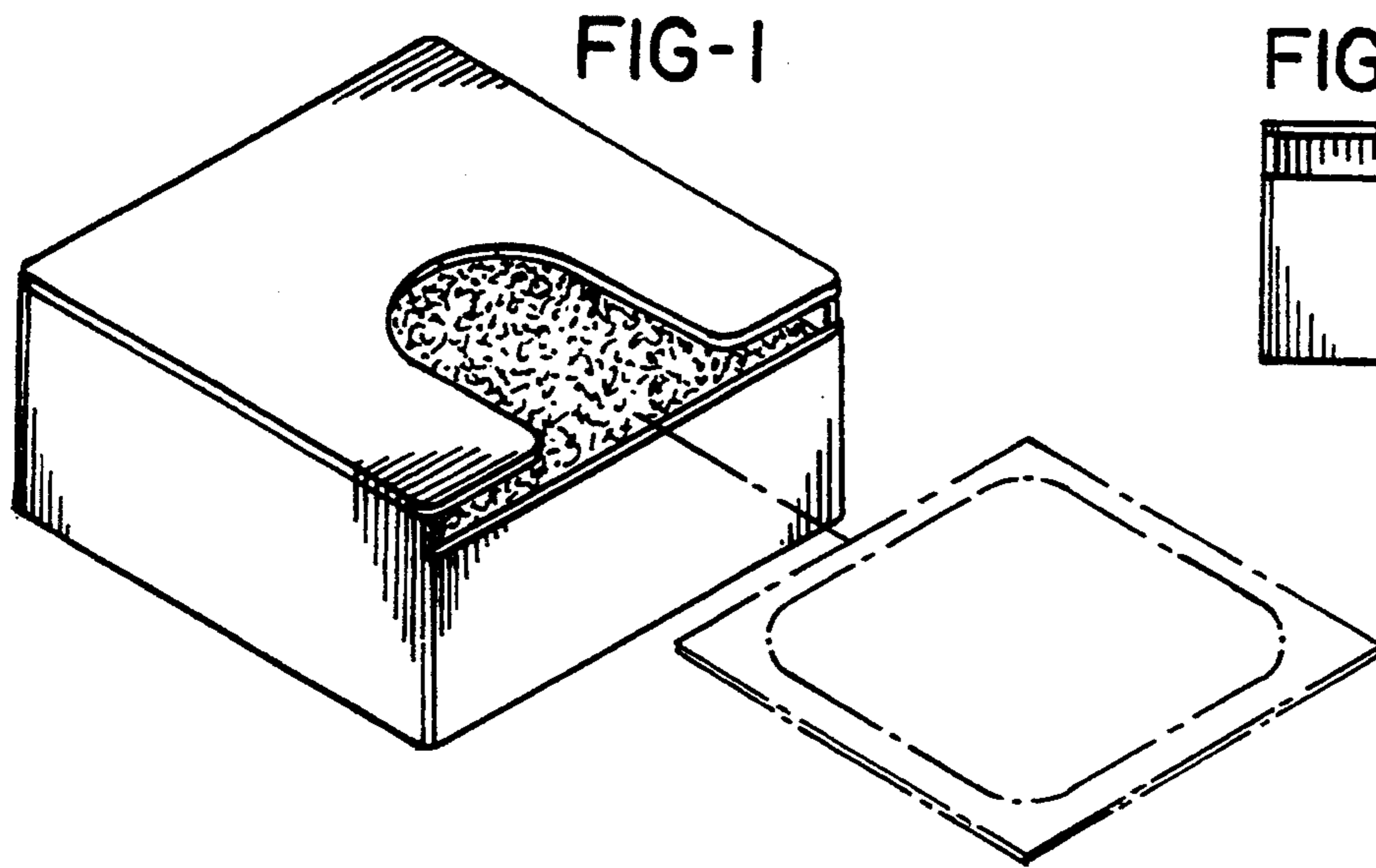
[57] **CLAIM**

The ornamental design for a foam-spring condom-dispensing package, as shown and described.

DESCRIPTION

FIG. 1 is a perspective view of a foam-spring condom dispensing package showing our new design; FIG. 2 is a front elevation view thereof; FIG. 3 is a left side elevational view thereof; FIG. 4 is a right side elevational view thereof; FIG. 5 is a rear elevational view thereof; FIG. 6 is a top plan view thereof; FIG. 7 is a bottom plan view thereof; FIG. 8 is a perspective view of a second embodiment of the dispensing package as in FIG. 1; FIG. 9 is a perspective view of a third embodiment of the dispensing package as in FIG. 1; FIG. 10 is a front elevational view of FIG. 9; FIG. 11 is a rear elevational view thereof; FIG. 12 is a left side elevational view of FIG. 9; FIG. 13 is a right side elevational view of FIG. 9; FIG. 14 is a top plan view of FIG. 9; FIG. 15 is a bottom plan view of FIG. 9; and, FIG. 16 is a perspective view of a fourth embodiment of the dispensing package as in FIG. 1. The broken line showing of a condom pack in FIGS. 1 and 9 is for illustrative purposes only and forms no part of the claimed design.





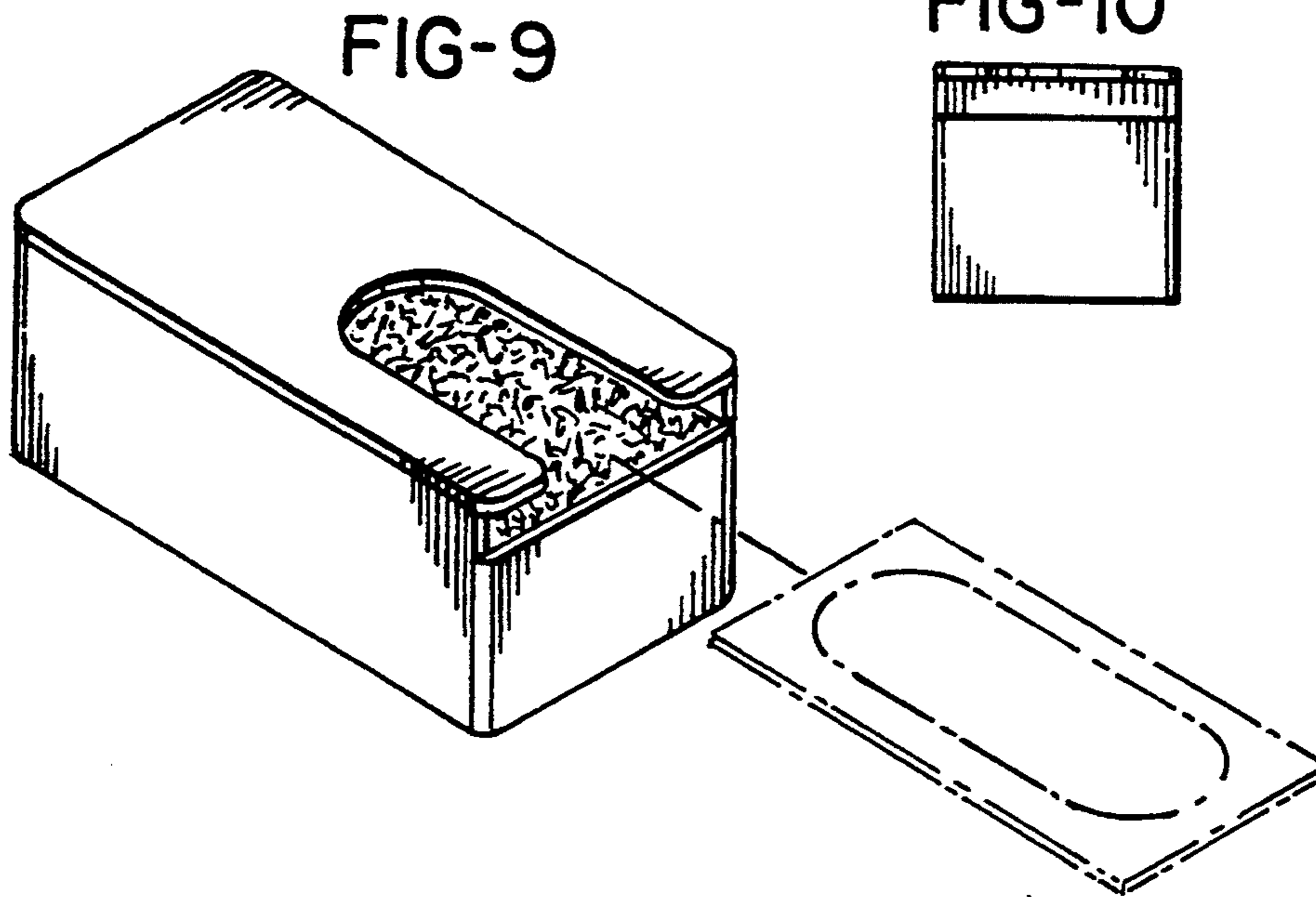


FIG-10

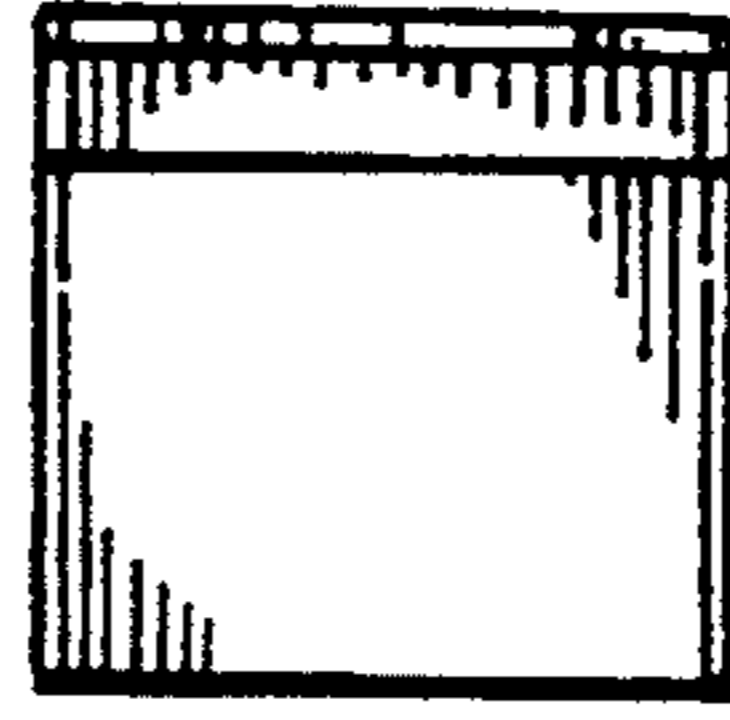


FIG-11

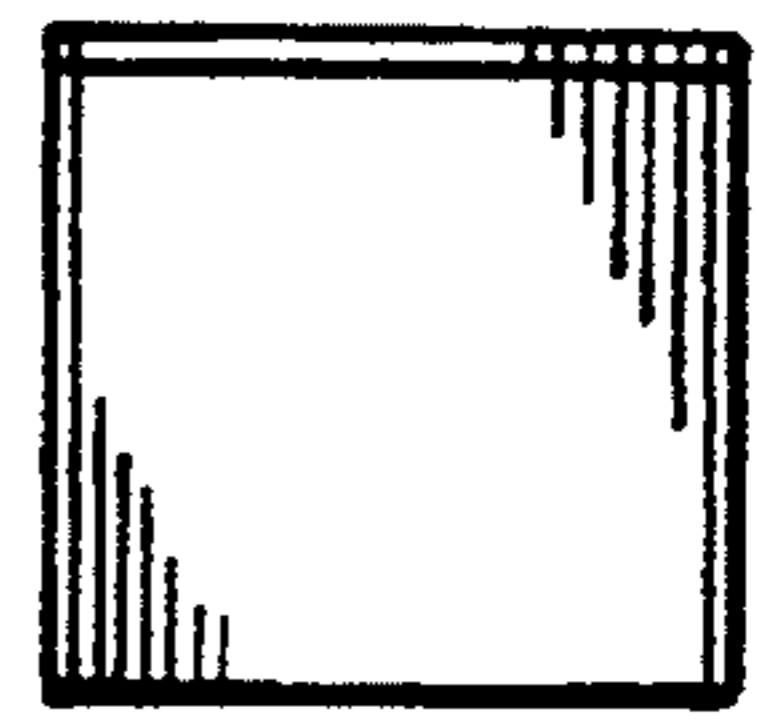


FIG-12

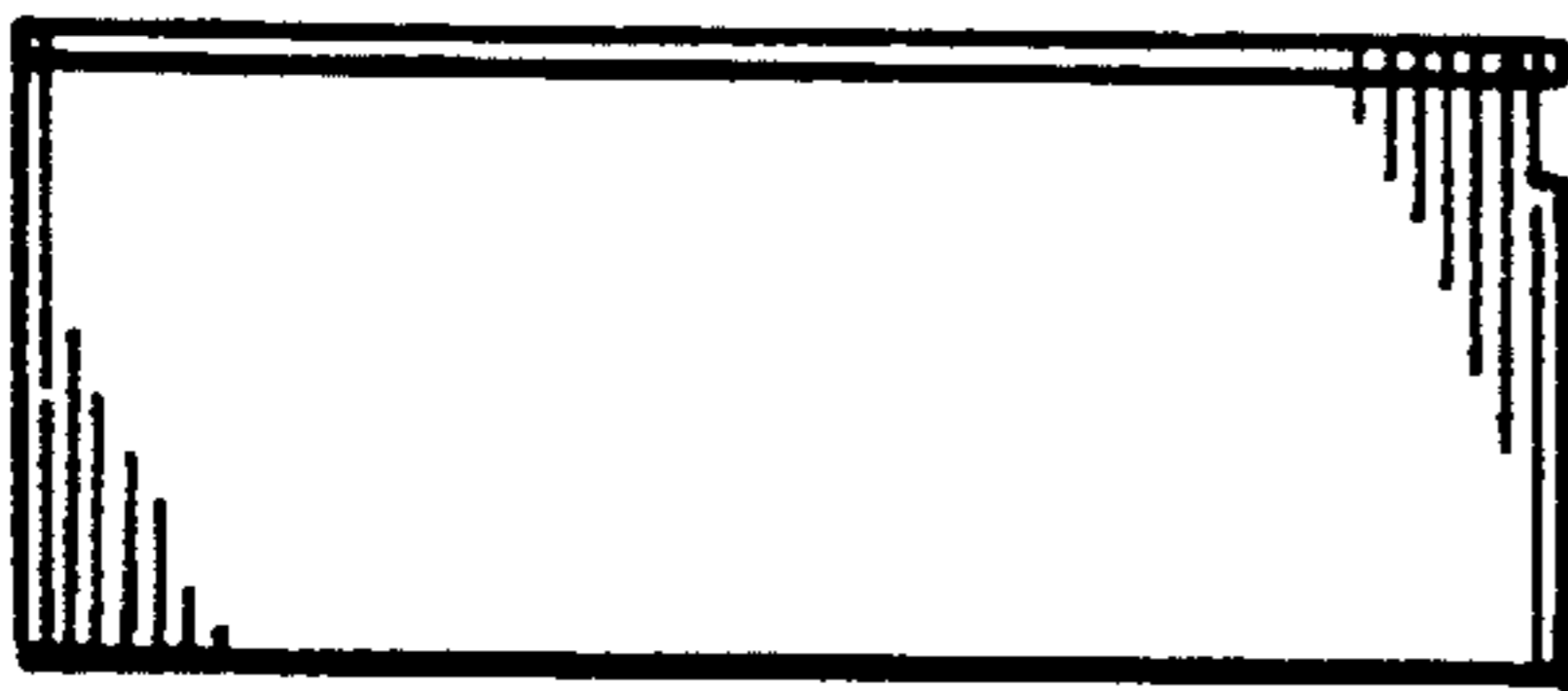


FIG-13

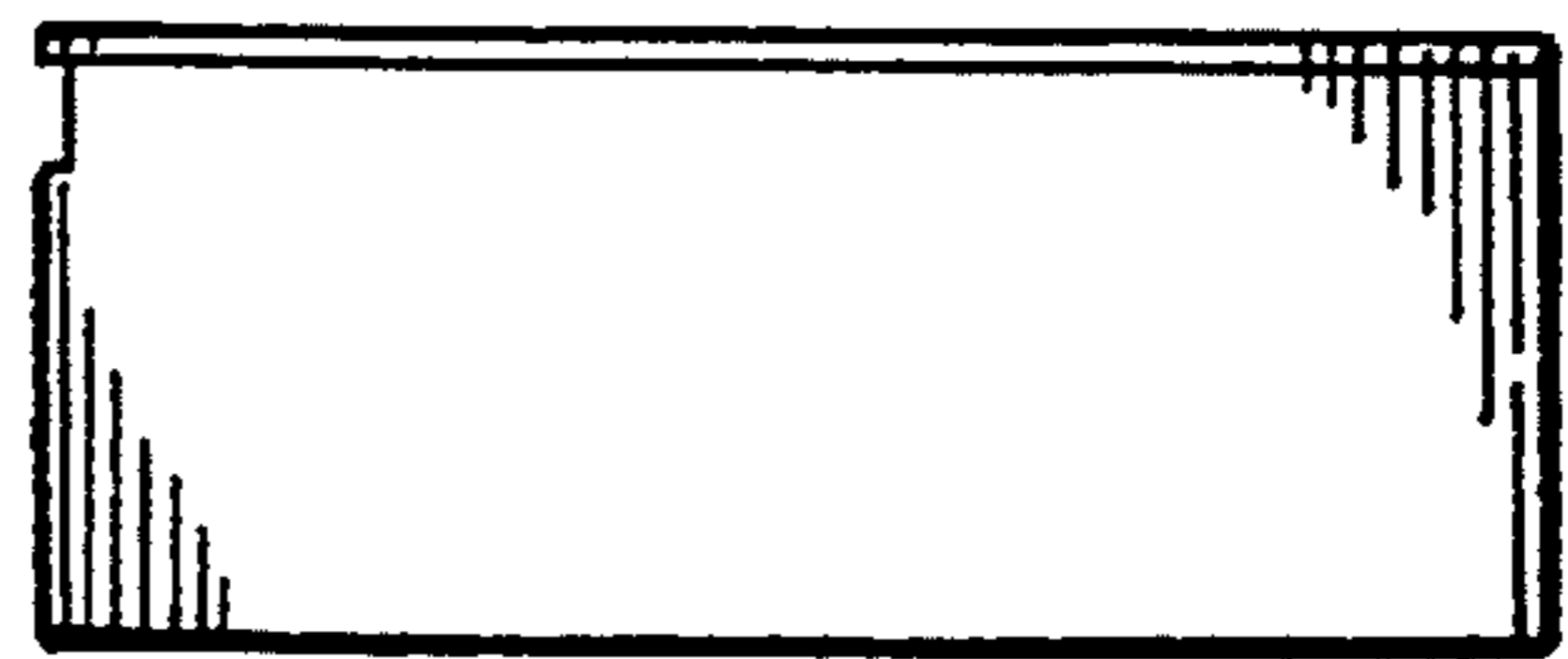


FIG-14

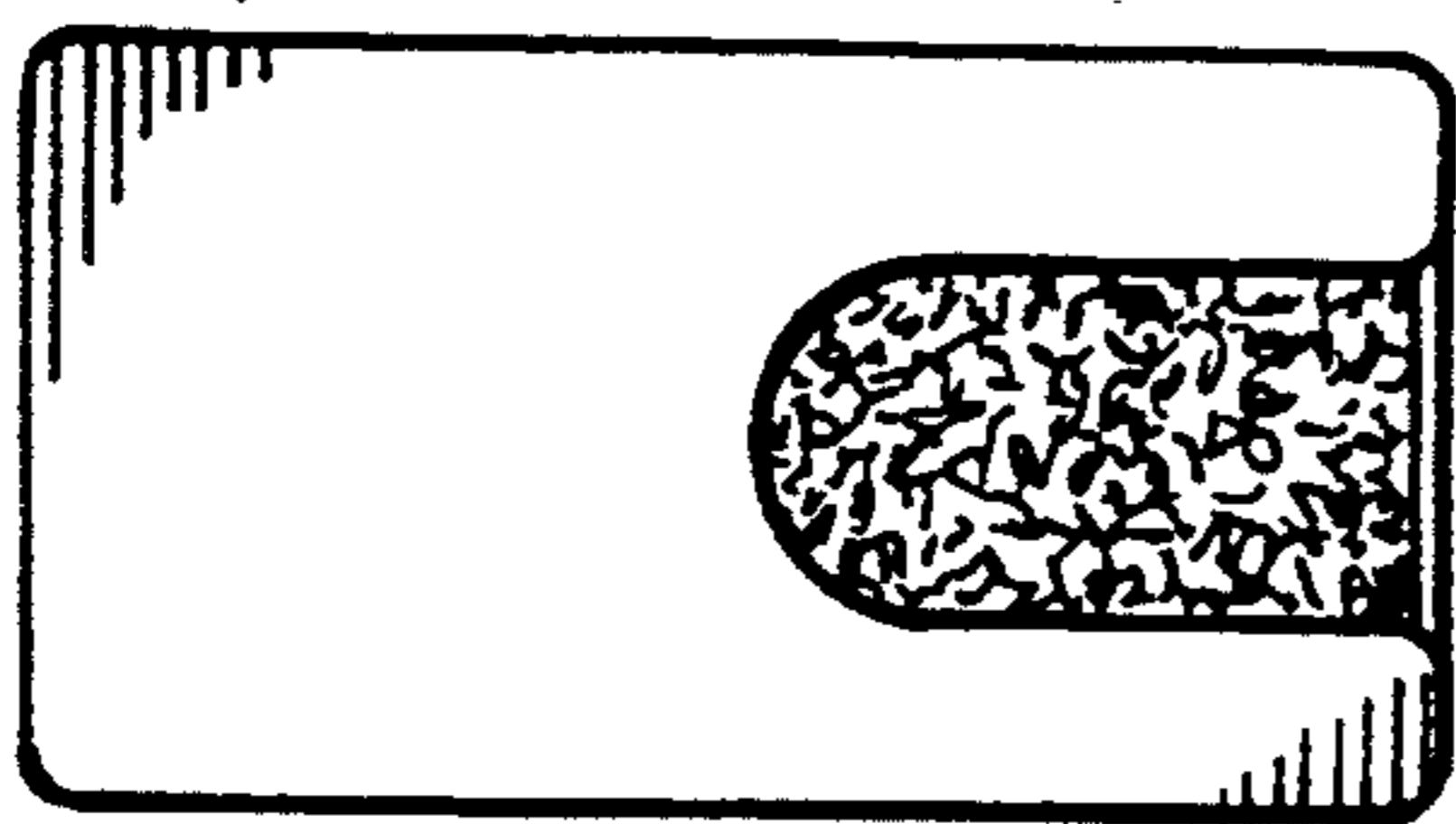


FIG-15

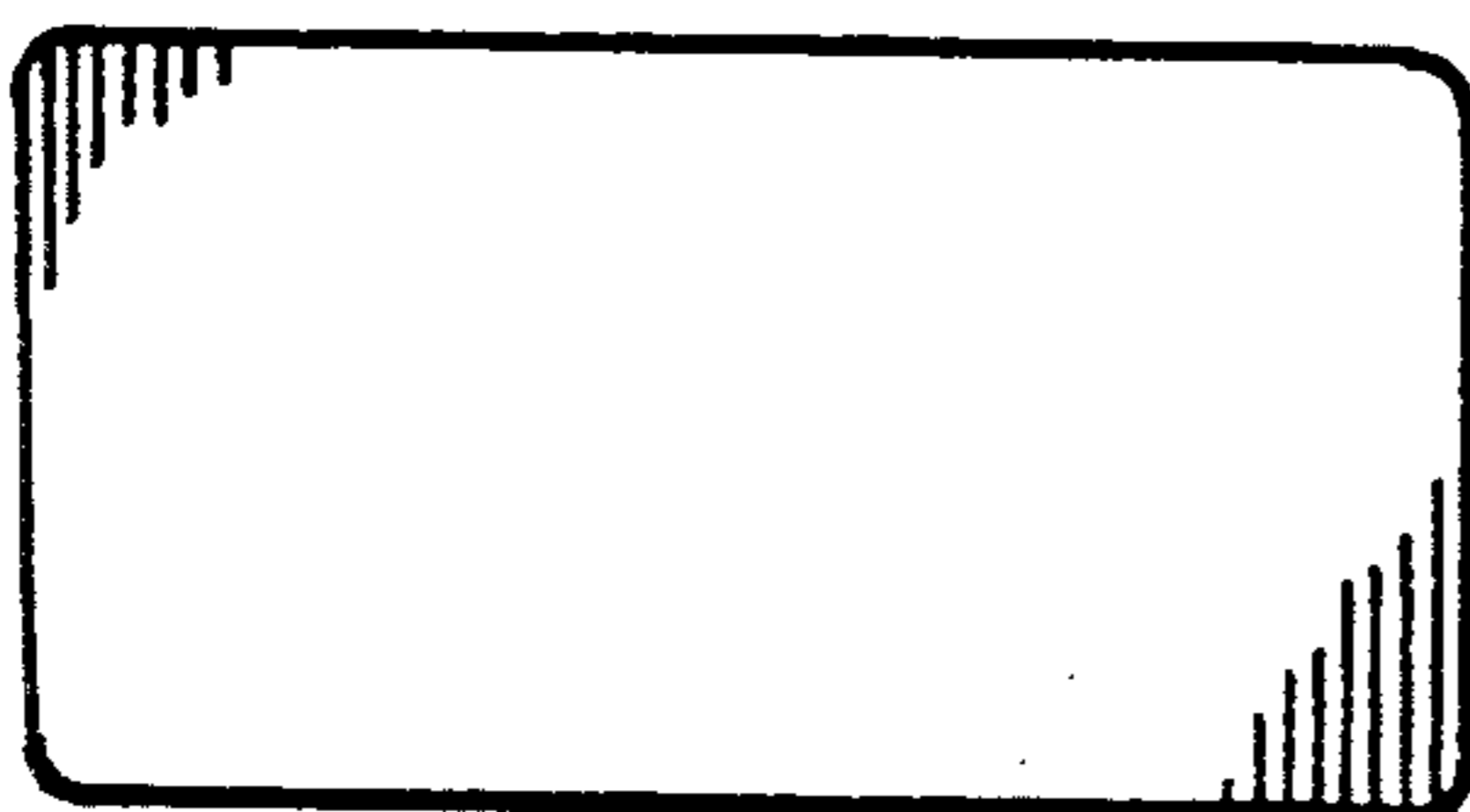


FIG-16

