



US00D355595S

United States Patent [19]

Moudy et al.

[11] Patent Number: **Des. 355,595**

[45] Date of Patent: **** Feb. 21, 1995**

[54] **PILL DISPENSER FOR USE WITH PILL CONTAINERS**

[76] Inventors: **Todd E. Moudy; Sandra K. Moudy**, both of 407 W. Wabash Apt 2/P.O.B. 905, Frankfort, Ind. 46041

[**] Term: **14 Years**

[21] Appl. No.: **10,534**

[22] Filed: **Jul. 9, 1993**

[52] U.S. Cl. **D9/339; D9/341**

[58] Field of Search **D9/339, 341; 206/528, 206/538, 539, 828**

3,302,775	2/1967	Finkelston	221/4
4,419,016	12/1983	Zoltan	221/2
4,432,300	2/1984	Lyss	221/4
4,890,741	1/1990	Edelstein	206/538 X

Primary Examiner—Bernard Ansher
Assistant Examiner—Mitchell I. Siegel
Attorney, Agent, or Firm—Terry M. Gernstein

[57] CLAIM

The ornamental design for a pill dispenser for use with pill containers, as shown and described.

DESCRIPTION

FIG. 1 is a front, top and side perspective view of the pill dispenser for use with pill containers showing our new design;

FIG. 2 is a front elevational view thereof;

FIG. 3 is a rear elevational view thereof;

FIG. 4 is a side elevational view thereof, the side opposite being a mirror image of the side shown in FIG. 4;

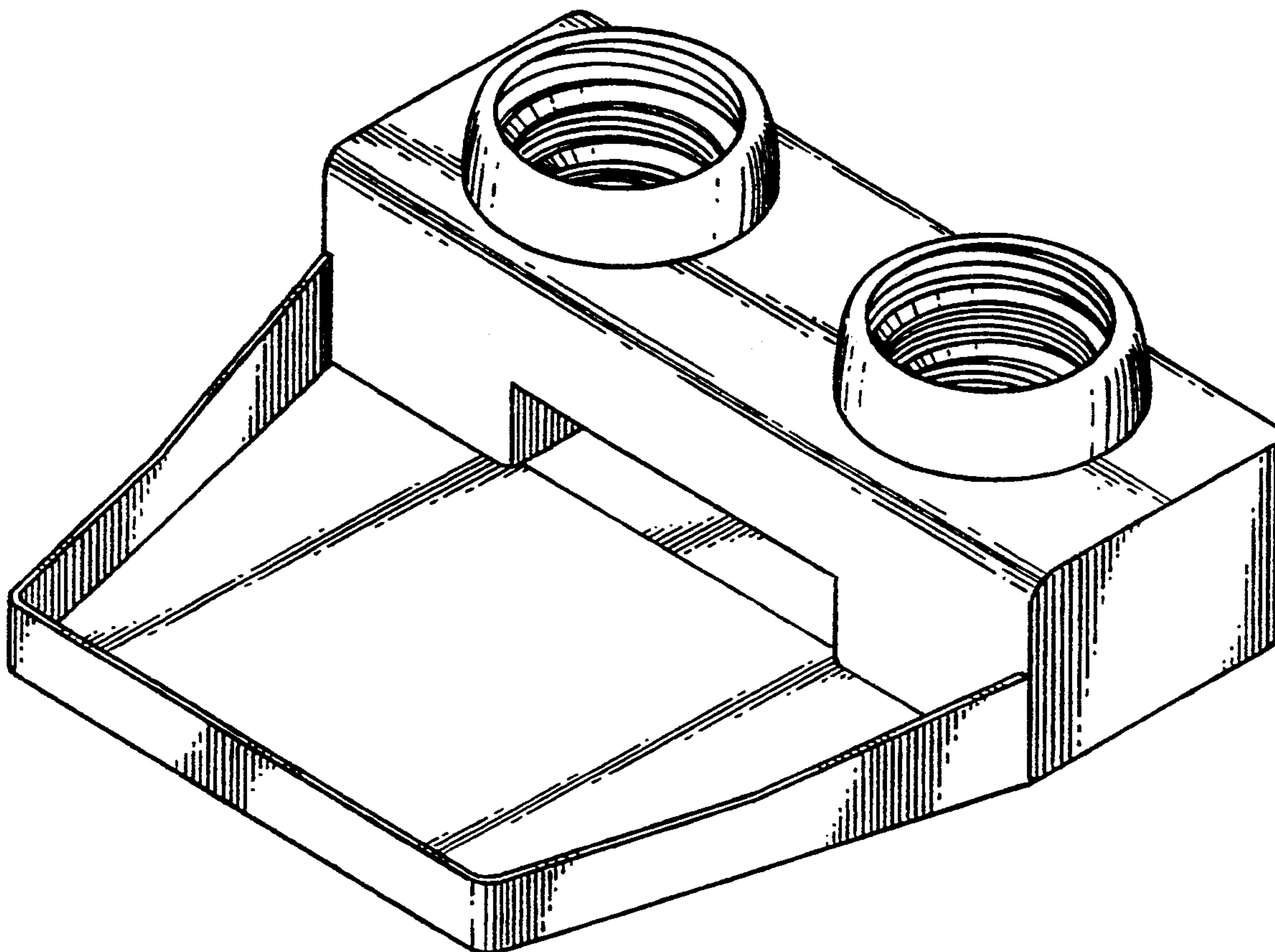
FIG. 5 is a top plan view thereof; and,

FIG. 6 is a bottom plan view thereof.

[56] References Cited

U.S. PATENT DOCUMENTS

D. 273,805	5/1984	Filhol	D9/341 X
D. 293,024	12/1987	Holewinski et al.	D9/341 X
D. 294,520	3/1988	Holewinski et al.	D9/341 X
D. 329,924	9/1992	Lombardi, Jr.	D9/341 X
D. 342,893	1/1994	Westbrooks, Jr. et al.	D9/341



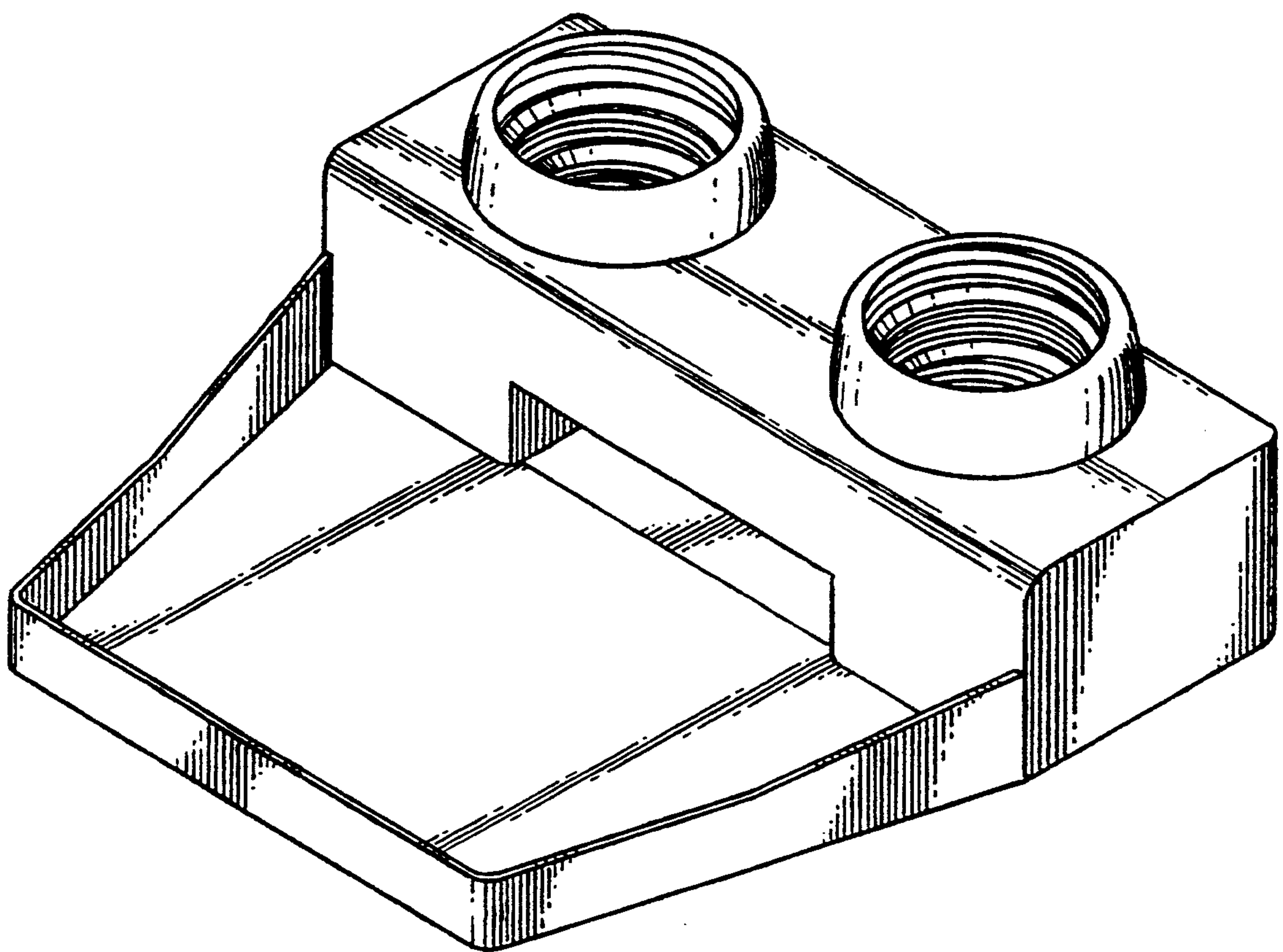


FIG. 1

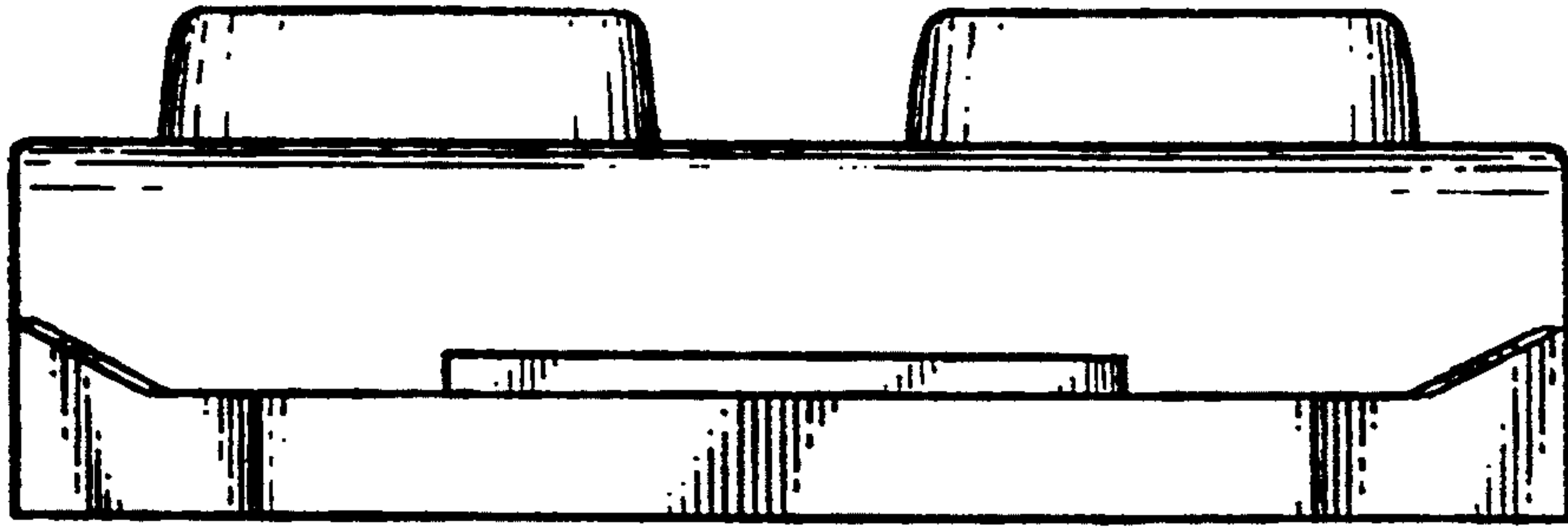


FIG. 2

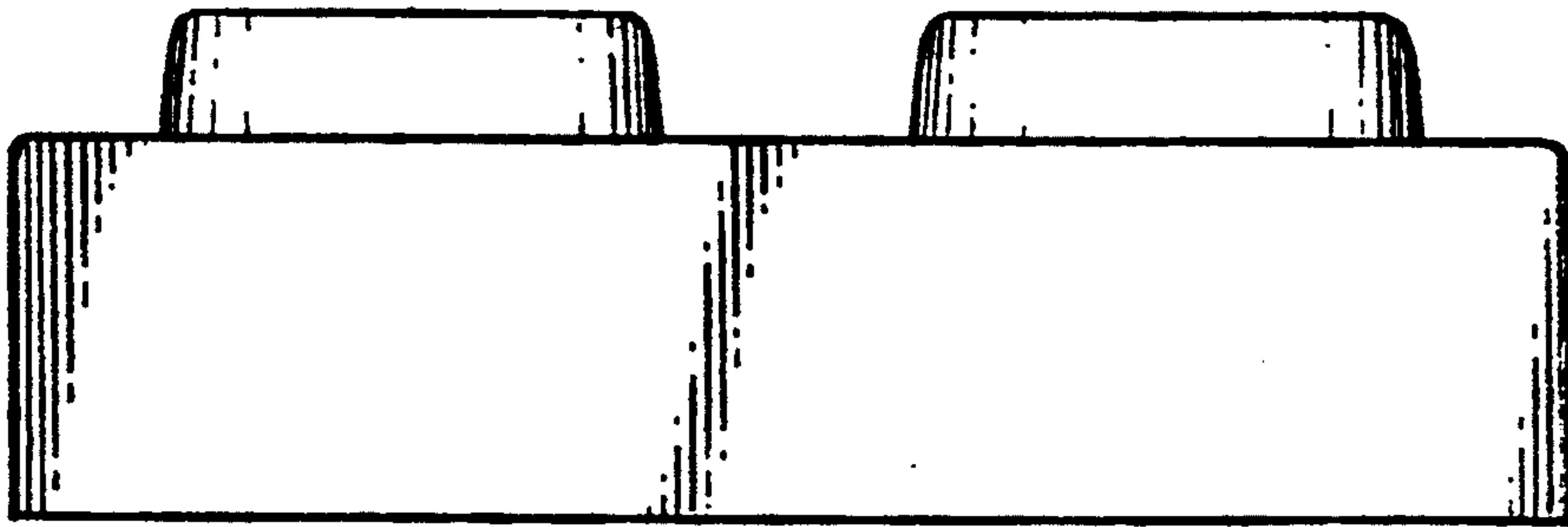


FIG. 3

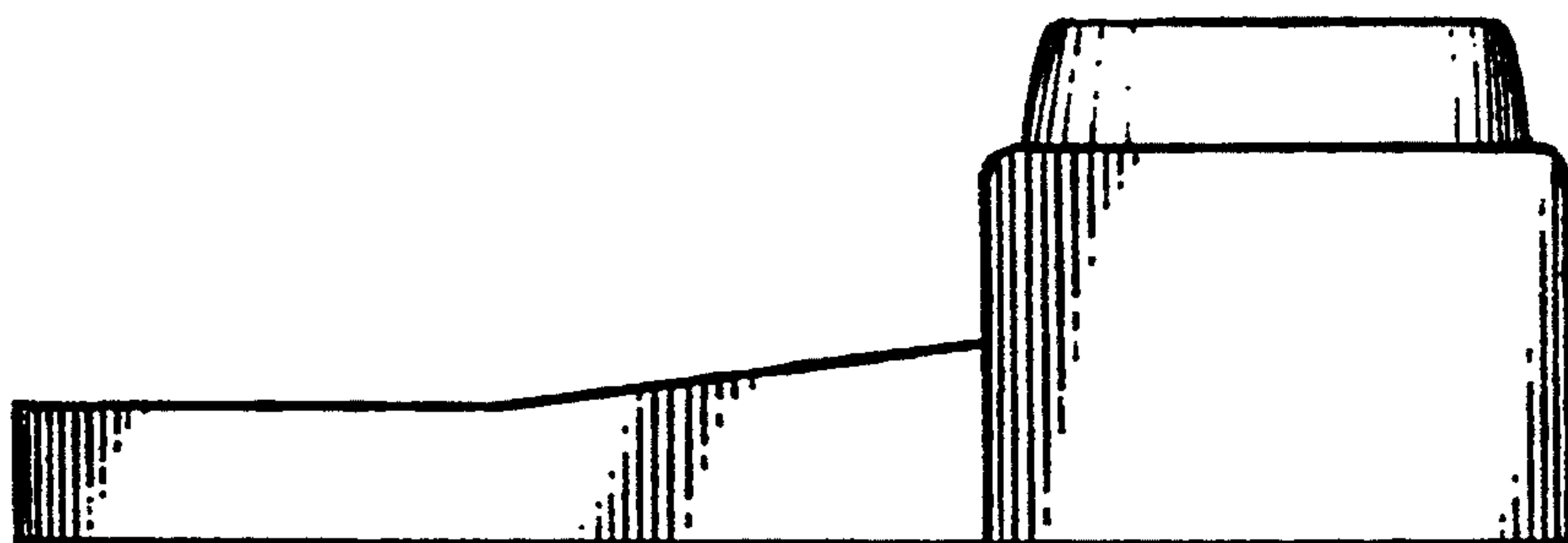


FIG. 4

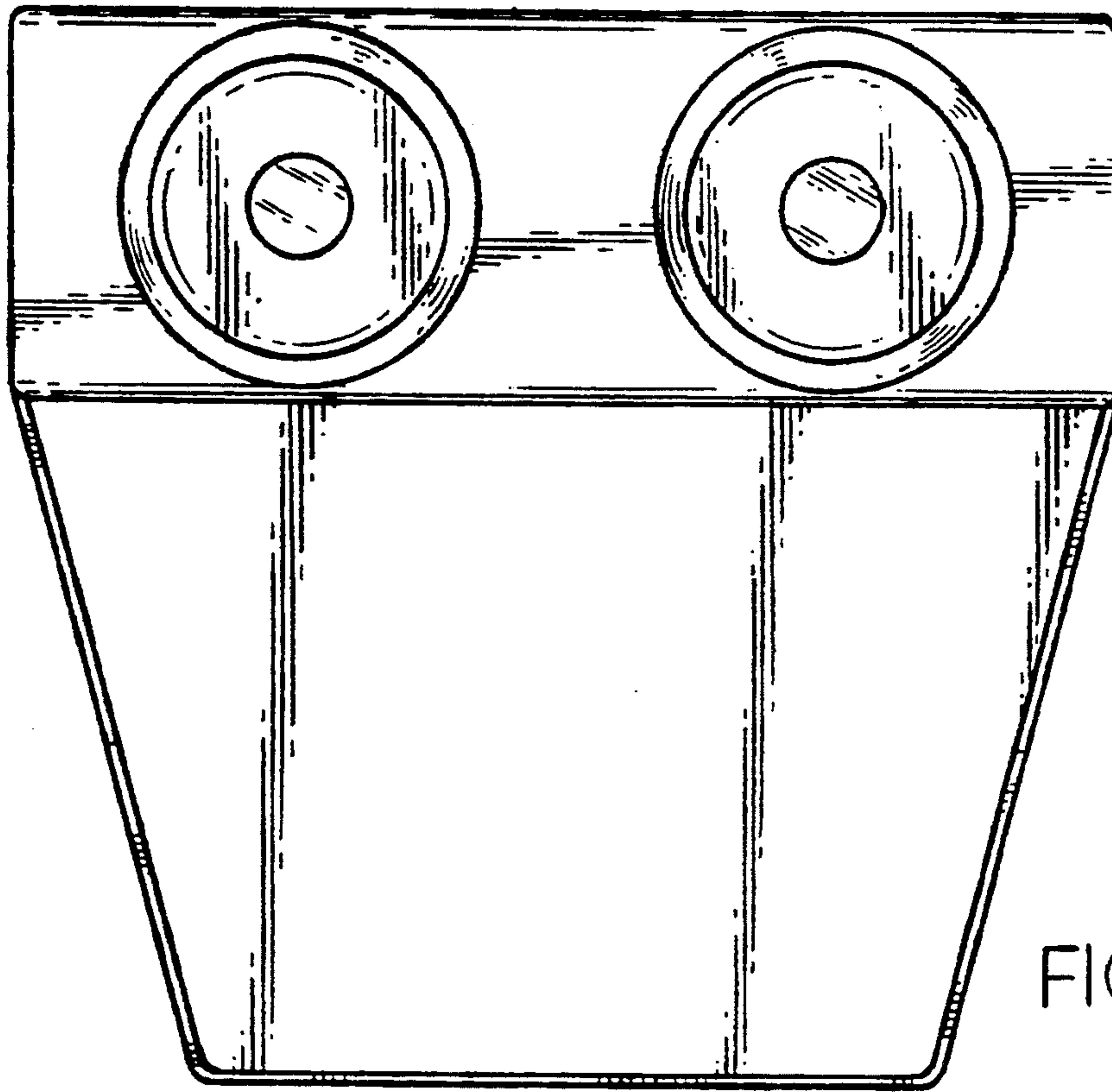


FIG. 5

